

VORTEX

ASSEMBLY AND INSTALLATION INSTRUCTIONS



**CORPORATE HEADQUARTERS
WESTERN SALES AND MANUFACTURING PLANT
P.O. Box 400 • 1017 SW Berg Parkway
Canby, Oregon 97013
Phone: (503) 266-2231 • Fax: (503) 266-4334
www.srsmith.com**

Table of Contents

<u>Topic</u>	<u>Page #</u>
Introduction.....	2
Main Section Parts List.....	5
Main Section Assembly Instructions.....	6
Closed Flume Parts List.....	12
Closed Flume Assembly Instructions.....	13
Open Flume Parts List.....	16
Open Flume Assembly Instructions.....	17
Stairway Parts List.....	20
Stairway Assembly Instructions.....	21
Ladder Parts List.....	28
Ladder Assembly Instructions.....	29
Water System Parts List.....	32
Water System Assembly Instructions.....	33
Concrete Wedge Anchor Mounting Instructions.....	36
Manufacturer's Placement Instructions.....	37
Installed Slides' Structural & Installation Checklist.....	39

INTRODUCTION

THE VORTEX SLIDE IS DESIGNED AND MANUFACTURED FOR INSTALLATION AND USE ON IN-GROUND SWIMMING POOLS ONLY. VORTEX SLIDES ARE NEVER TO BE INSTALLED AND USED ON HOUSEBOATS, BOAT DOCKS, FLOATING DOCKS OR PLATFORMS, OR OTHER BODIES OF WATER SUCH AS LAKES, PONDS, RIVERS, ETC. PROPER AND COMPLETE ASSEMBLY, USE AND SUPERVISION IS ESSENTIAL FOR PROPER OPERATION AND TO REDUCE THE RISK OF ACCIDENT OR INJURY.

****IMPORTANT****

Check entire boxes and inside all packing materials for parts. Before beginning assembly, read the instructions and identify parts using the figures and parts listed in this document. It is critical that all parts be carefully inspected by the installer prior to installation to ensure that no damage occurred in transit and that a damaged part is not used. Proper installation cannot be overstressed, as an improper installation voids S.R. Smith's warranty and may affect the safety of the user.

WARNING SIGN MUST BE MOUNTED NEAR SLIDE ENTRANCE. SIGN SHOULD BE LOCATED WITHIN 2 FEET OF THE ENTRANCE OF THE SLIDE AND MUST POINT AWAY FROM ENTRANCE SO THAT IT IS VISIBLE AT LEAST 10 FEET FROM SLIDE.

ALL NATIONAL AND LOCAL BUILDING CODES MUST BE FOLLOWED. This includes any applicable requirements for size of concrete footing, overall height of slide, and bonding or electrical codes.

PRECAUTION: Powder Coating is scratch resistant, not scratch proof. It is still susceptible to scratching and chipping. This should be prevented because exposed metal surfaces will rust.

PRECAUTION: Contact your pool professional to make sure that you have adequate access to your pool pump house for the water supply. It is strongly recommended that the water line be pulled from the swimming pool return line so that the circulated water is sanitary and does not affect the chemistry of the pool.

Vortex Slide with Stairs Layout

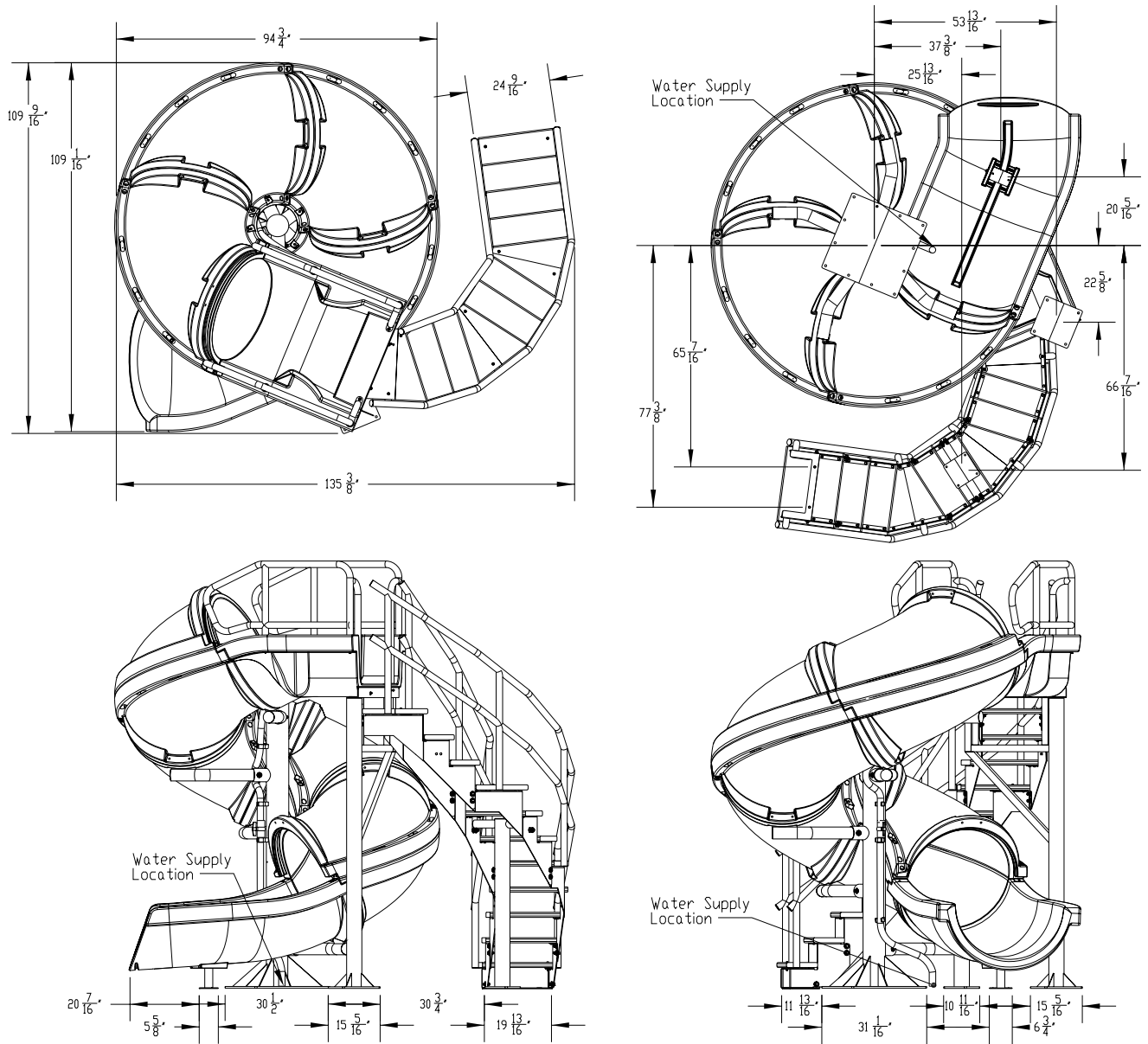


FIG. 1

Vortex Slide with Ladder Layout

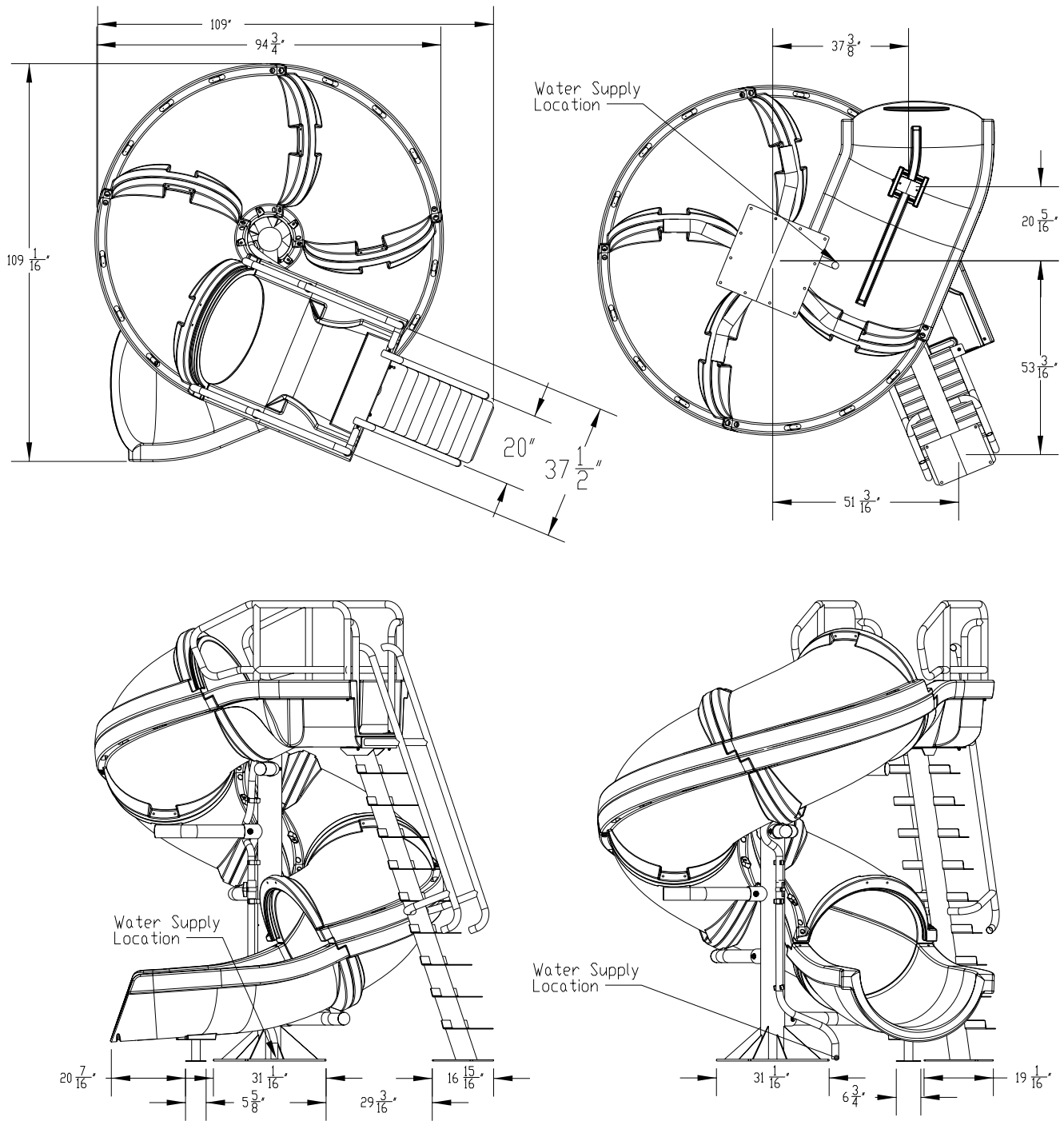
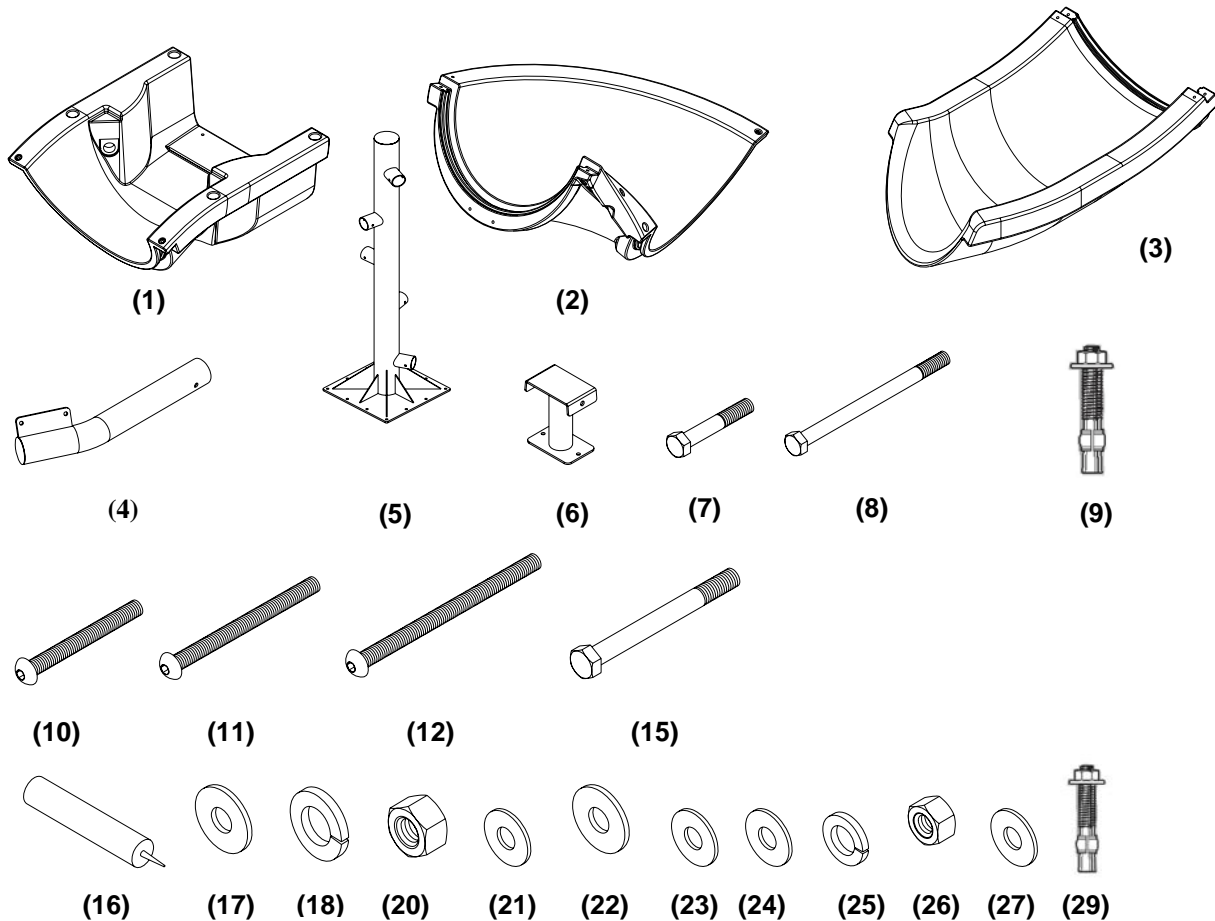


FIG. 2

ITEM #	PART #	DESCRIPTION	QTY.
1	6-690-1	Entrance Section	1 ea.
2	6-690-2	Runway Section	4 ea.
3	6-690-3	Exit Section	1 ea.
4	14-301	Branch Arm	5 ea.
5	14-300	Main Support	1 ea.
6	14-205	Exit Support	1 ea.
7	5-113	3/8" x 2" HHCS S/S	2 ea.
8	05-32-131	3/8" x 5-1/2" HHCS	8 ea.
9	5-523-SS	1/2" x 3-3/4" CONCRETE WEDGE ANCHOR W/HRDWR S/S	12 ea.
10	5-250	3/8" x 3-1/2" BHCS S/S	4 ea.
11	5-512	3/8" x 4" BHCS S/S	8 ea.
12	5-515	3/8" x 5" BHCS S/S	4 ea.
15	5-524-SS	1/2" x 5" HHCS S/S	5 ea.
16	VULKEM-116	VULKEM GRAY SEALANT	
17	05-14-132	1/2" x 1-3/8" FLAT WASHER S/S	10 ea.
18	05-14-115	1/2" LOCK WASHER S/S	17 ea.
20	05-14-116	1/2" HEX NUT S/S	5 ea.
21	05-14-107	3/8" x 1" FLAT WASHER S/S	18 ea.
22	05-616	1/2" NYLON WASHER	22 ea.
23	05-32-111	3/8" NYLON WASHER	22 ea.
24	5-145	3/8" FLAT WASHER S/S	48 ea.
25	5-151	3/8" LOCK WASHER S/S	24 ea.
26	5-139	3/8" HEX NUT S/S	22 ea.
29	5-521-SS	3/8-16 X 3" CONCRETE WEDGE ANCHOR W/HRDWR S/S	2 ea.
31	8-536	.5" WIDE X .3" TALL RUBBER GASKET (NOT SHOWN)	21 FT

VORTEX MAIN SECTION PARTS LIST



ASSEMBLY INSTRUCTIONS

Tools Required:

1. Ratchet handle
2. 9/16" deep socket
3. 9/16" wrench
4. 3/4" socket or wrench
5. 7/32" allen wrench (deep)
6. Phillips head screwdriver
7. Roto-hammer drill
8. 1/2" concrete drill bit
9. 3/8" concrete drill bit
10. 4" ratchet extension
11. 3 Irwin Quick Grip™ 18" XP Bar Clamps
12. Power drill
13. PVC pipe primer & glue
14. Anti-seize
15. Saw to cut PVC pipe
16. Knife
17. Level
18. Hammer
19. 8' step ladder
20. Rubber Mallet

Gasket Installation:

- The gasket material has been installed at the factory, however additional gasket has been provided in case any gasket has fallen off during shipping. If gasket installation is required, follow the instructions below.
- Apply gasket in the required locations as shown in the figures below.
- Place gasket along the section to determine the length needed.
- Cut gasket to appropriate length.
- Remove backing and adhere gasket to slide.

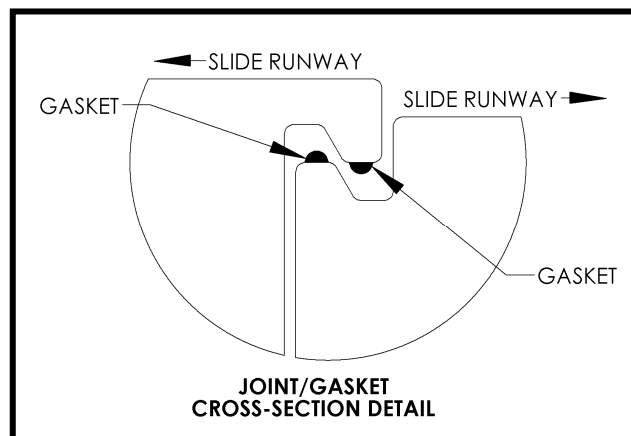


FIG. 3

Vortex Slide Runway Assembly:

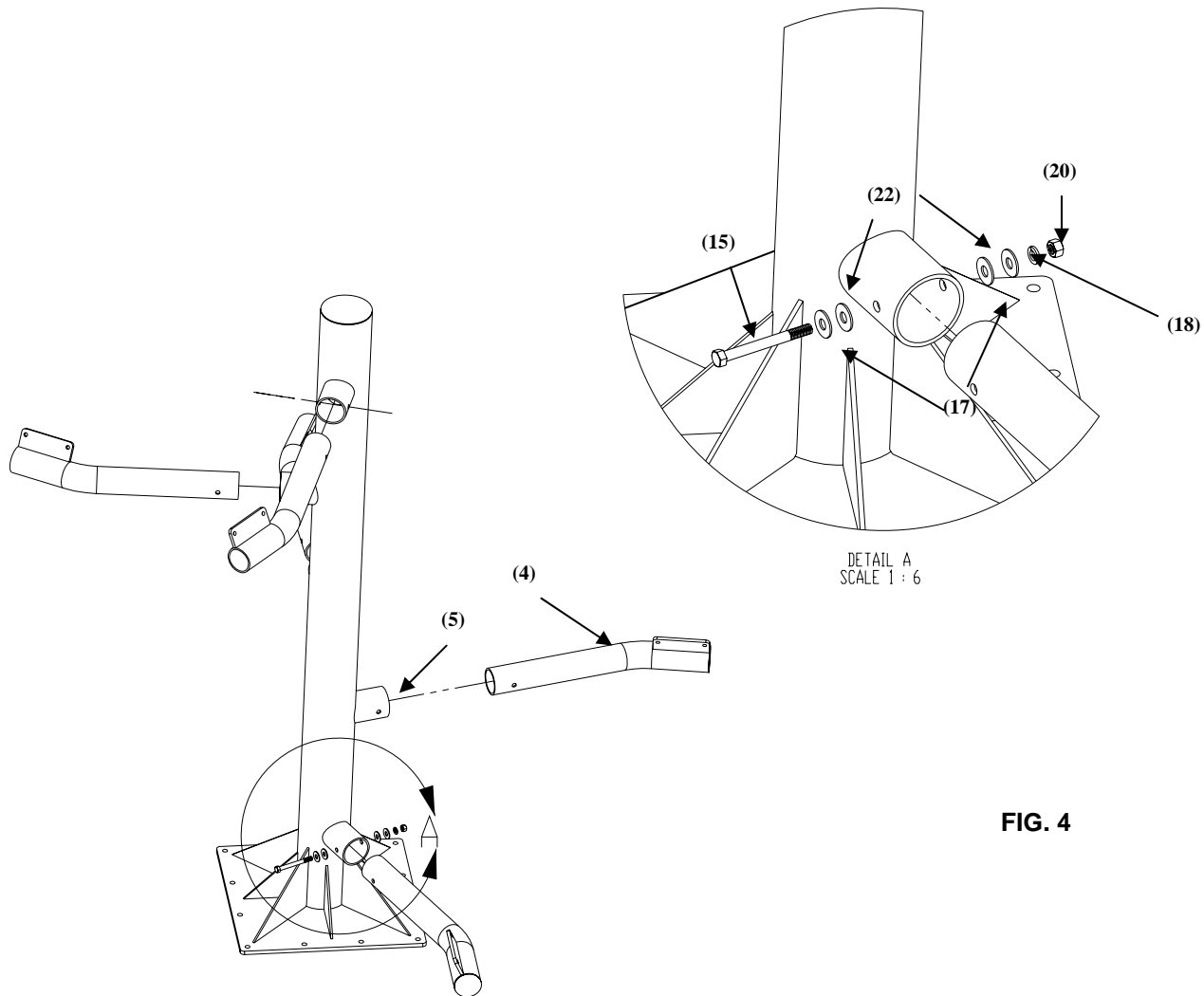


FIG. 4

1) First, insert all five of the Branch Arms (4) into the Main Support (5). Ensure that the arms slide into the support sockets without damaging the powder coating. Align the holes in the main tube support with the holes in the branch arm and attach using the hardware shown in Figure 1. The required hardware is as follows: $\frac{1}{2}$ " – 13 x 5" Hex Head Cap Screw (15), $\frac{1}{2}$ " Flat Washer (17), $\frac{1}{2}$ " Nylon Washer (22), and $\frac{1}{2}$ " Nylon Washer (22), $\frac{1}{2}$ " Flat Washer (17), $\frac{1}{2}$ " Lock Washer (18), $\frac{1}{2}$ " Hex Nut (20) on the other side of the support. **It is important not to tighten the hardware at this point. ANTI-SEIZE NEEDS TO BE USED ON ALL BOLTS, and should be applied to the threading before attempting to place the nut on the bolt.**

2) The image on the right shows the main tube support with all branch arms installed. Place the column close to the installation location.

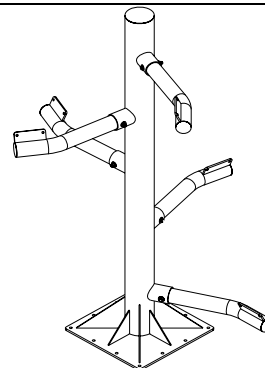


FIG. 5

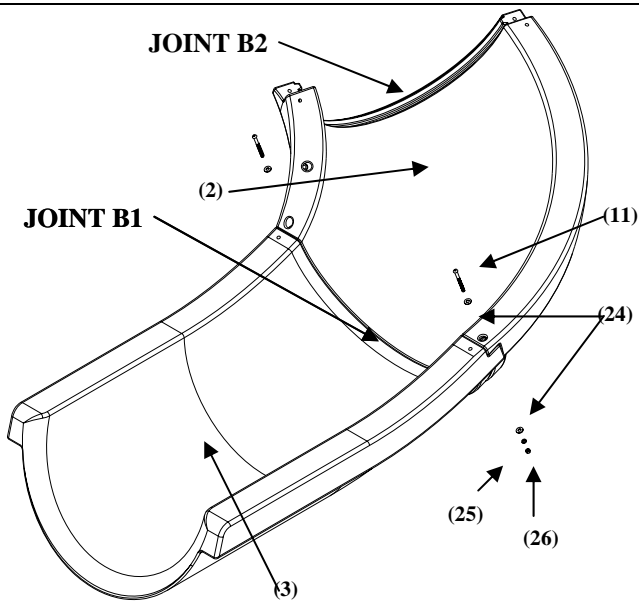


FIG. 6

3) Before working with the flume pieces, cover the concrete with cardboard or carpet to help prevent scratching the plastic slide components. **Order of assembly is important!** Each of the slide components is numbered in the order that they should be assembled. See Figure 6 for order of assembly. Assemble the Exit Flume (3) and the Runway Section (2) labeled B1 together as shown. Install the hardware through both side rails as shown in Figure 6. The hardware used for this step, in order of assembly, is as follows: 3/8"-16 x 4" Button Head Cap Screw S/S (11), 3/8" Flat Washer (24), 3/8" Flat Washer (24), 3/8" Lock Washer (25), 3/8" Hex Nut S/S (26). Tighten the hardware until snug.

Note: Be sure to apply anti-seize to all fasteners to prevent galling.

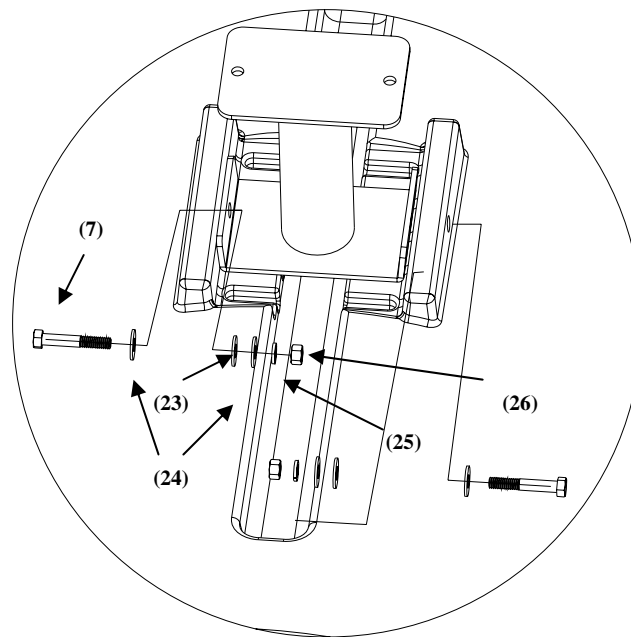
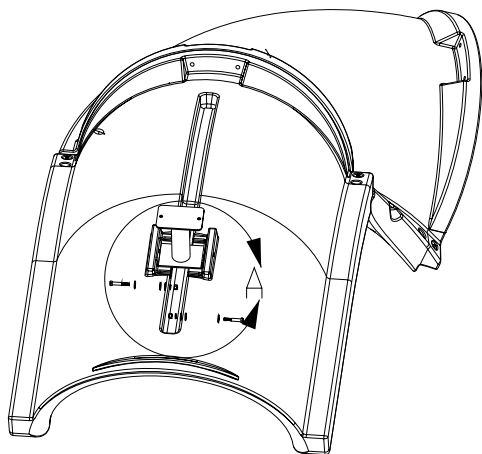


FIG. 7

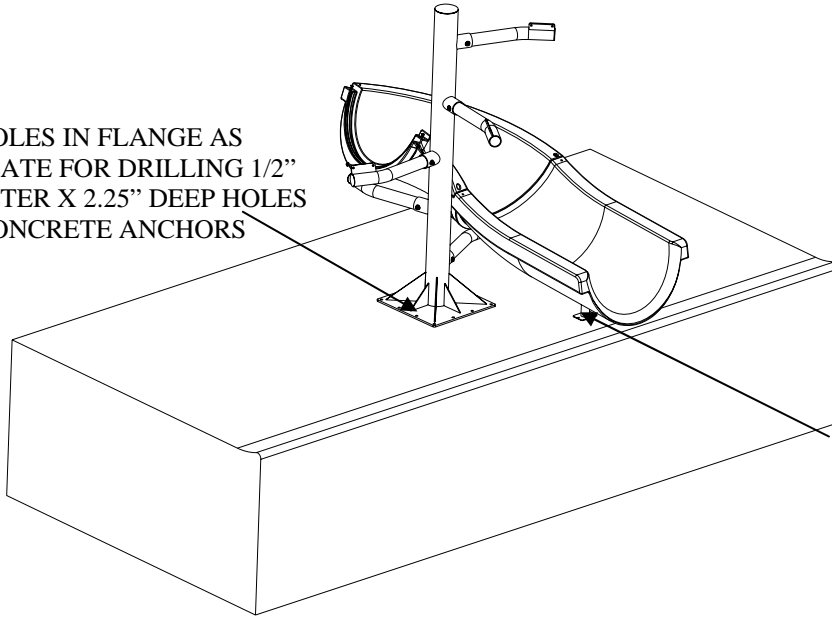
DETAIL A
SCALE 1 : 4

4) Next, flip over the two connected pieces of the runway. Place the Exit Support (6) under the Exit Flume (3), as shown in Figure 7. Use the following hardware to attach the exit support: 3/8"-16 x 2" Hex Head Bolt (7), 3/8" Flat Washer (24), 3/8" Nylon Washer (23), 3/8" Flat Washer (24), 3/8" Lock Washer (25), 3/8" Hex Nut (26). Tighten the hardware until snug.

Note: Be sure to apply anti-seize to all fasteners to prevent galling.

FIG. 8

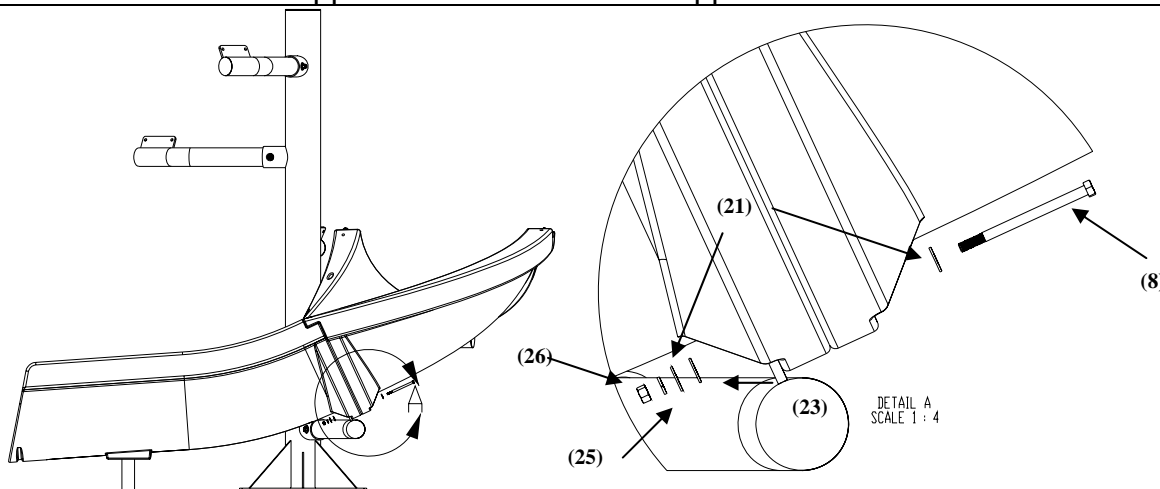
USE HOLES IN FLANGE AS TEMPLATE FOR DRILLING 1/2" DIAMETER X 2.25" DEEP HOLES FOR CONCRETE ANCHORS



MARK LOCATION OF HOLES IN EXIT SUPPORT FOR DRILLING 3/8" X 2" DEEP HOLES FOR CONCRETE ANCHORS

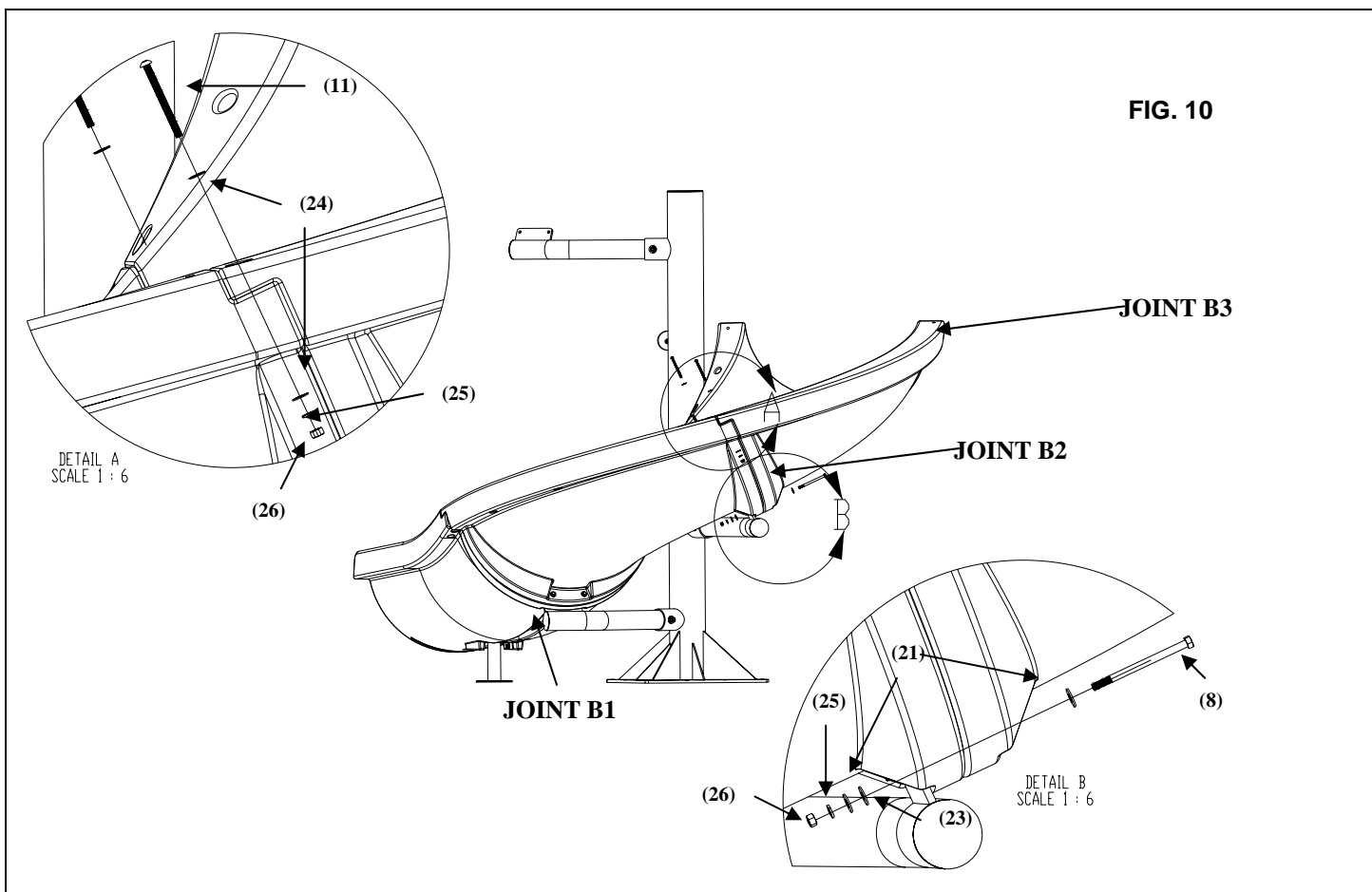
5) Position the slide on the deck such that the slide meets the requirements as given in the Manufacturer's Placement Instructions on page 31. Make sure that the slide parts are correctly positioned on the branch arms. It is recommended that bolts be placed temporarily through the runway parts and into the first and second branch arms to ensure proper alignment. Once the assembly is in the correct position, mark the locations for exit support anchors. In addition, make reference marks at the corners of the main tube support flange to ensure that it remains in the desired position. Remove the flume sections and drill the anchor holes for both the Main Support (5) and the Exit Support (6). Drill the two 3/8" diameter X 2" deep holes in the marked locations for the exit support. The holes in the main support tube flange may be used as a template for drilling the 1/2" diameter X 2-1/4" deep holes. Follow the instruction on page 23 and install the concrete wedge anchors for the exit support and the main tube support.

FIG. 9



6) Place the assembled Exit Flume (3) and Runway Section (2) over the first Branch Arm (6). Attach the slide sections to the first branch arm as shown above. The required hardware is as follows: 3/8"-16 x 5.5" Hex Head Cap Screw (8), 3/8" Flat Washer (21), 3/8" Nylon Washer (23), 3/8" Flat Washer (21), 3/8" Lock Washer (25), and a 3/8" Hex Nut (26). **Do not completely tighten the hardware at this point.**

Note: Be sure to apply anti-seize to all fasteners to prevent galling.



7) Attach the end of the next Runway Section (2) labeled B2 to the previously assembled runway sections. Insert the hardware through the side rails of the assembly as shown in Figure 10, Detail A. The required hardware is as follows: 3/8"-16 x 4" Button Head Cap Screw S/S (11), 3/8" Flat Washer S/S (24), 3/8" Flat Washer S/S (24), 3/8" Lock Washer S/S (25), 3/8" Hex Nut S/S (26).

Next, attach the runway parts to the 2nd branch arm as shown in Figure 10, Detail B. The hardware required for this step is as follows: 3/8" X 5.5" Hex Bolt(8), 3/8" Flat Washer (21), 3/8" Nylon Washer (23), 3/8" Flat Washer (21), 3/8" Lock Washer (25), and a 3/8" Hex Nut (26). It is important that the Nylon Washer (23) be placed against the metal branch arm bracket.

This process should be repeated for the three remaining Runway Sections. Remember that order of assembly is important. The end of each runway section is labeled and must be assembled to the runway section with the same number.

Note: Be sure to apply anti-seize to all fasteners to prevent galling

Assembly Tip: Irwin Quick Grip bar clamps may be used to help align the fastener holes in the runway sections.

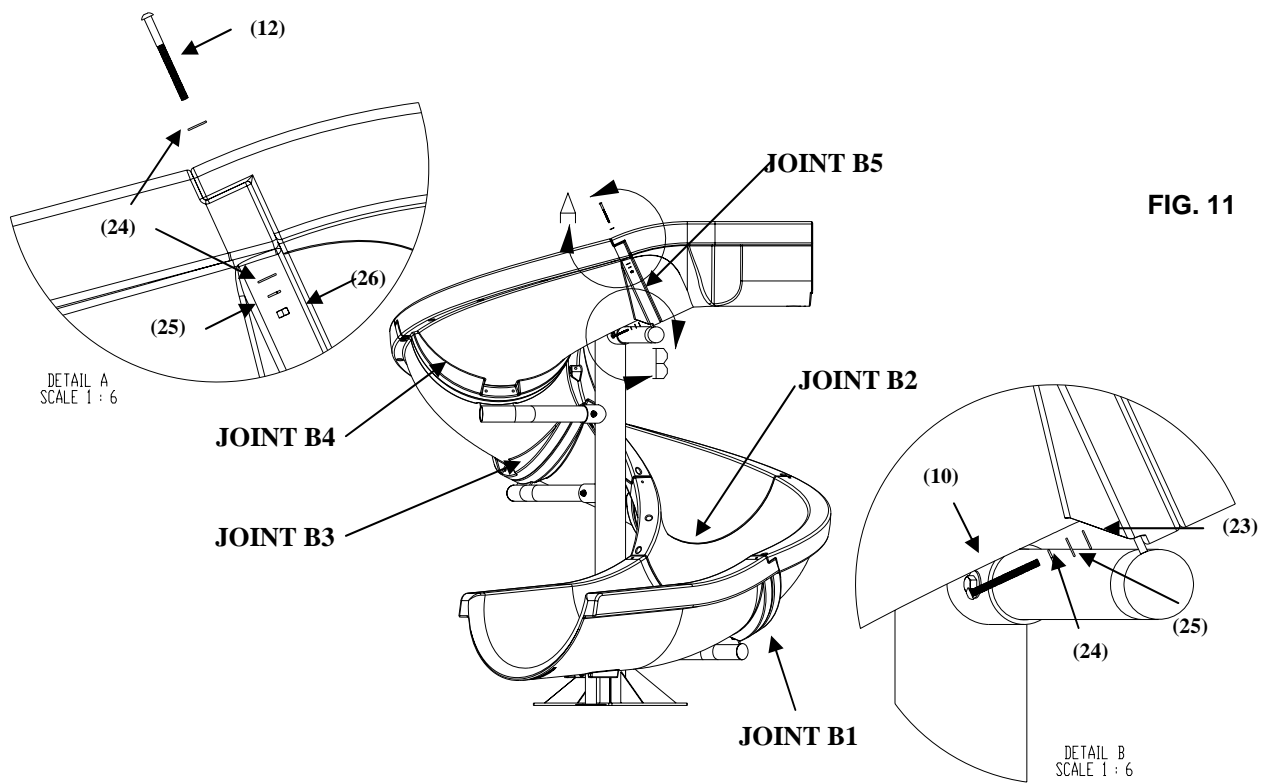


FIG. 11

8) Assemble the Entrance Section (1) of the slide to the last Runway Section (2).

First, insert the hardware through the sides of the runway as shown in Figure 11, Detail A. The hardware required for this step is as follows: 3/8"-16 x 5" Button Head Cap Screw S/S (12), 3/8" Flat Washer S/S (24), 3/8" Flat Washer S/S (24), 3/8" Lock Washer S/S (25), 3/8" Hex Nut S/S (26).

Next, attach the runway assembly to the last branch arm, as shown in Figure 11, Detail B. The bolts will be threaded into the threaded inserts in the entrance section. The hardware required includes: 3/8"-16 x 3.5" Button Head Cap Screw S/S (10), 3/8" Lock Washer S/S (24), 3/8" Flat Washer S/S (25), and a 3/8" Nylon Washer (23).

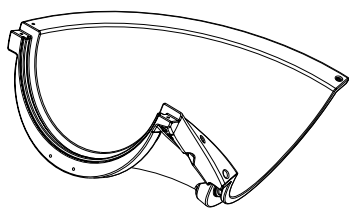
Note: Be sure to apply anti-seize to all fasteners to prevent galling

After you have started all of these bolts, you should go back through and tighten all of the fasteners installed up to this point .

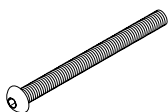
Apply the .5" wide X .3" tall gasket to the top runway parts along the outside curve edge only. The gasket should be applied on the mating surface, between the bolt holes and the inside edge of the part.

ITEM #	PART #	DESCRIPTION	QTY.
2	6-690-2	Runway Section	4 ea.
11	5-512	3/8" x 4" BHCS S/S	6 ea.
12	5-515	3/8" x 5" BHCS S/S	18 ea.
13	5-518	3/8" x 6" BHCS S/S	2 ea.
14	5-516	3/8" x 8.5" HHCS S/S	4 ea.
21	05-14-107	3/8" x 1" FLAT WASHER S/S	12 ea.
24	5-145	3/8" FLAT WASHER S/S	60 ea.
25	5-151	3/8" LOCK WASHER S/S	30 ea.
26	5-139	3/8" HEX NUT S/S	30 ea.
27	05-626	3/8" RUBBER WASHER	4 ea.
30	1-300-2	1/2" SCH 40 PVC SPACER 2.75"	12 ea.

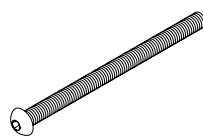
VORTEX CLOSED FLUME SECTION PARTS LIST



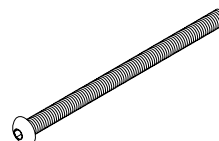
(2)



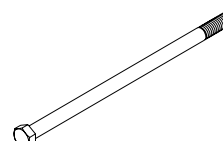
(11)



(12)



(13)



(14)



(21)



(24)



(25)



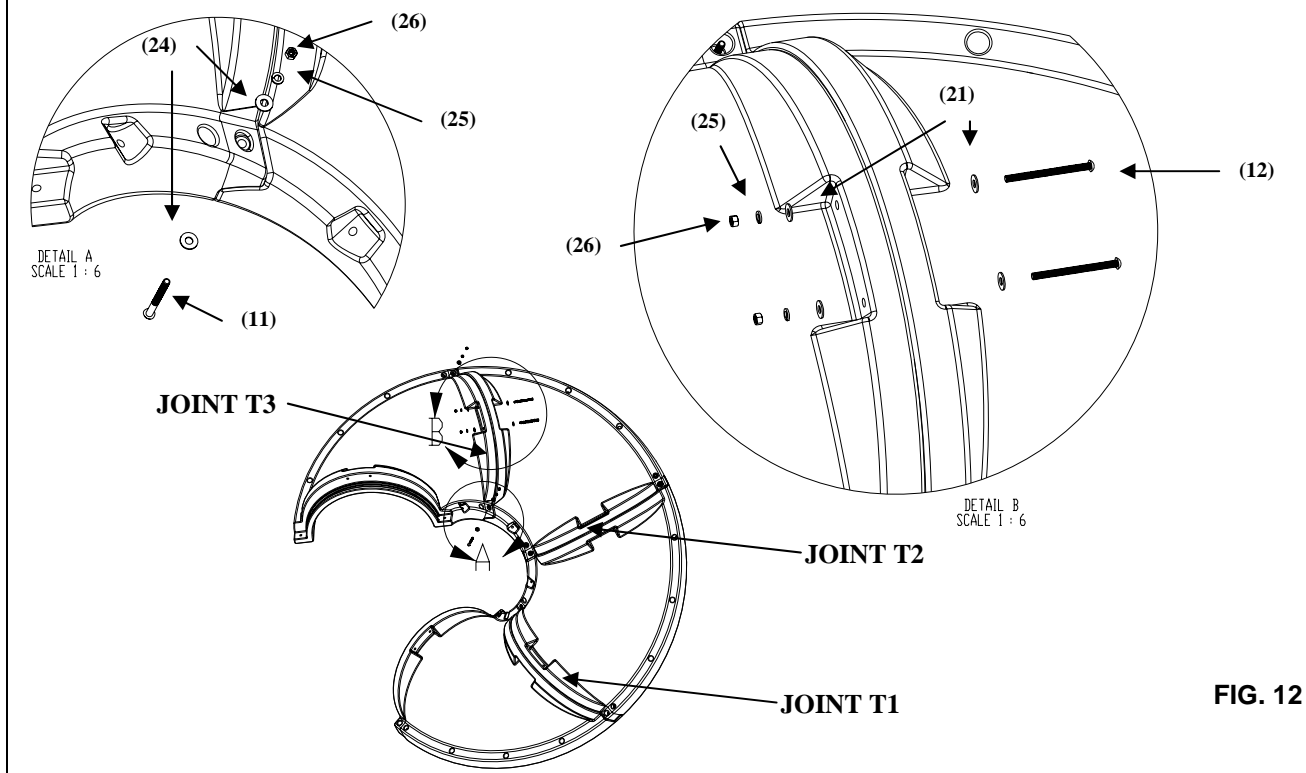
(26)



(27)



(30)



9) Assemble the four remaining Runway Section (2) pieces. **Order of assembly is important.** The end of each runway section is labeled and must be assembled to the runway section with the same number. Assemble two sections together that are labeled T1 on the mating ends. Fasten the two sections together using the two bolt locations through the side of the parts as shown in Figure 12, Detail A. The hardware required for the two side locations is as follows: 3/8"-16 x 4" Button Head Cap Screw S/S (11), 3/8" Flat Washer S/S (24), 3/8" Flat Washer S/S (24), 3/8" Lock Washer S/S (25), 3/8" Hex Nut S/S (26). Next, finish fastening the parts together as shown in Figure 12, Detail B. The hardware required for this step is as follows: 3/8"-16 x 5" Button Head Cap Screw (12) and a 3/8" Flat Washer S/S (21), 3/8" Flat Washer (21), 3/8" Lock Washer (25), 3/8" Hex Nut (26).

Follow the same procedure to finish assembling the remaining two sections together. Assemble the part labeled T2 to the previously assembled parts followed by the part labeled T3.

Note: Be sure to apply anti-seize to all fasteners to prevent galling

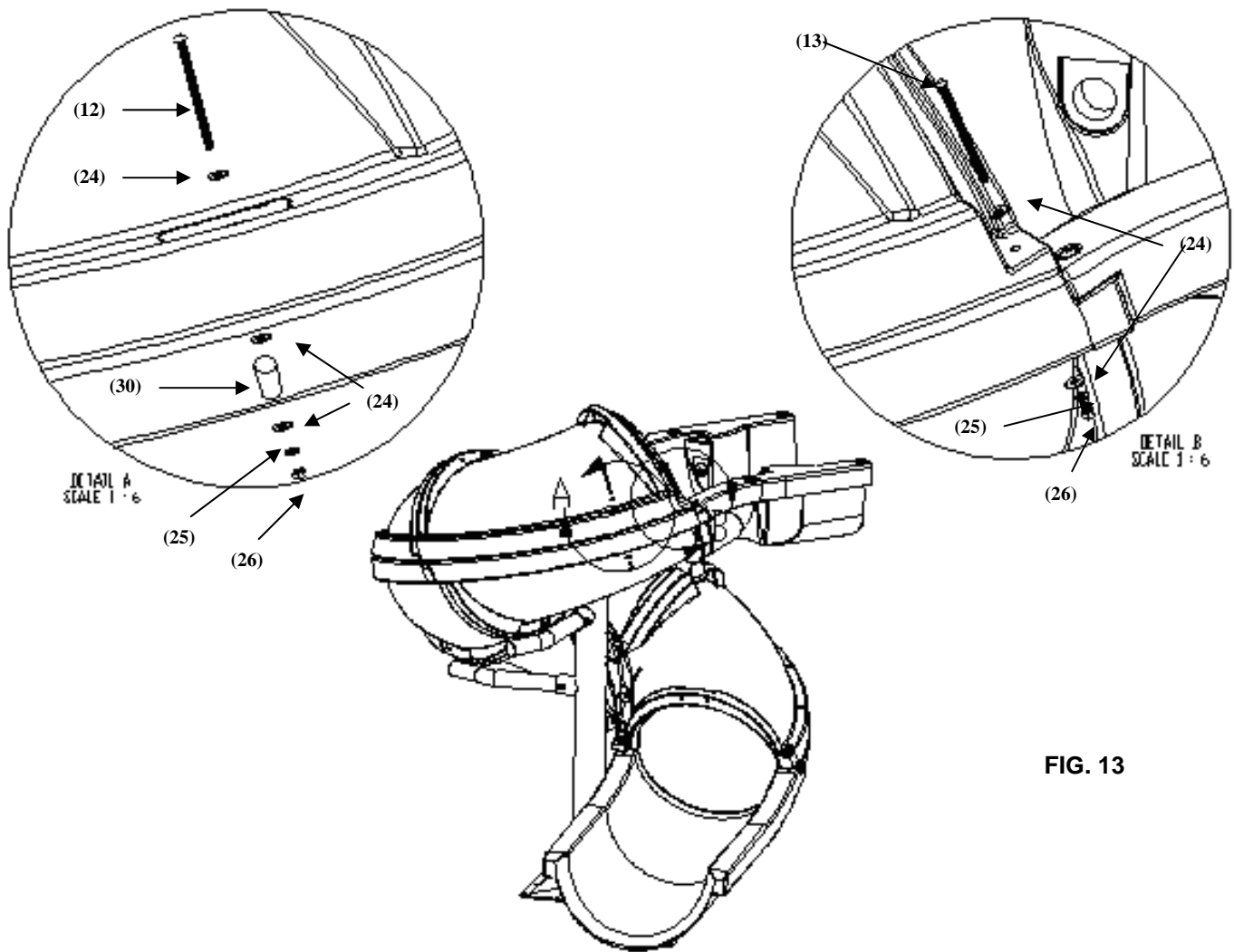


FIG. 13

10) For this portion of the installation you will need 3-4 people. Slide all four pieces of the top portion of the flume up the slide from the bottom. **Make sure the gasket is in place.** Next, attach the hardware at the top of the runway as shown in Figure 13, Detail B. The hardware required for this step is as follows: 3/8"-16 x 6" Button Head Cap Screw S/S (13), 3/8" Flat Washer S/S (24), 3/8" Flat Washer S/S (24), 3/8" Lock Washer S/S (25), 3/8" Hex Nut S/S (26). Next, working from the top to bottom, fasten the flumes together along the outside edge as shown in Figure 13, Detail A. The required hardware is as follows: a 3/8"-16 x 5" Button Head Cap Screw S/S (12), 3/8" Flat Washer S/S (24), 3/8" Flat Washer S/S (24), 1/2" Sch 40 PVC Spacer 3.25" (30), 3/8" Flat Washer S/S (24), 3/8" Lock Washer S/S (25), 3/8" Hex Nut S/S (26). Tighten the hardware until the gap in the joint is closed.

Do not over tighten.

Note: Be sure to apply anti-seize to all fasteners to prevent galling

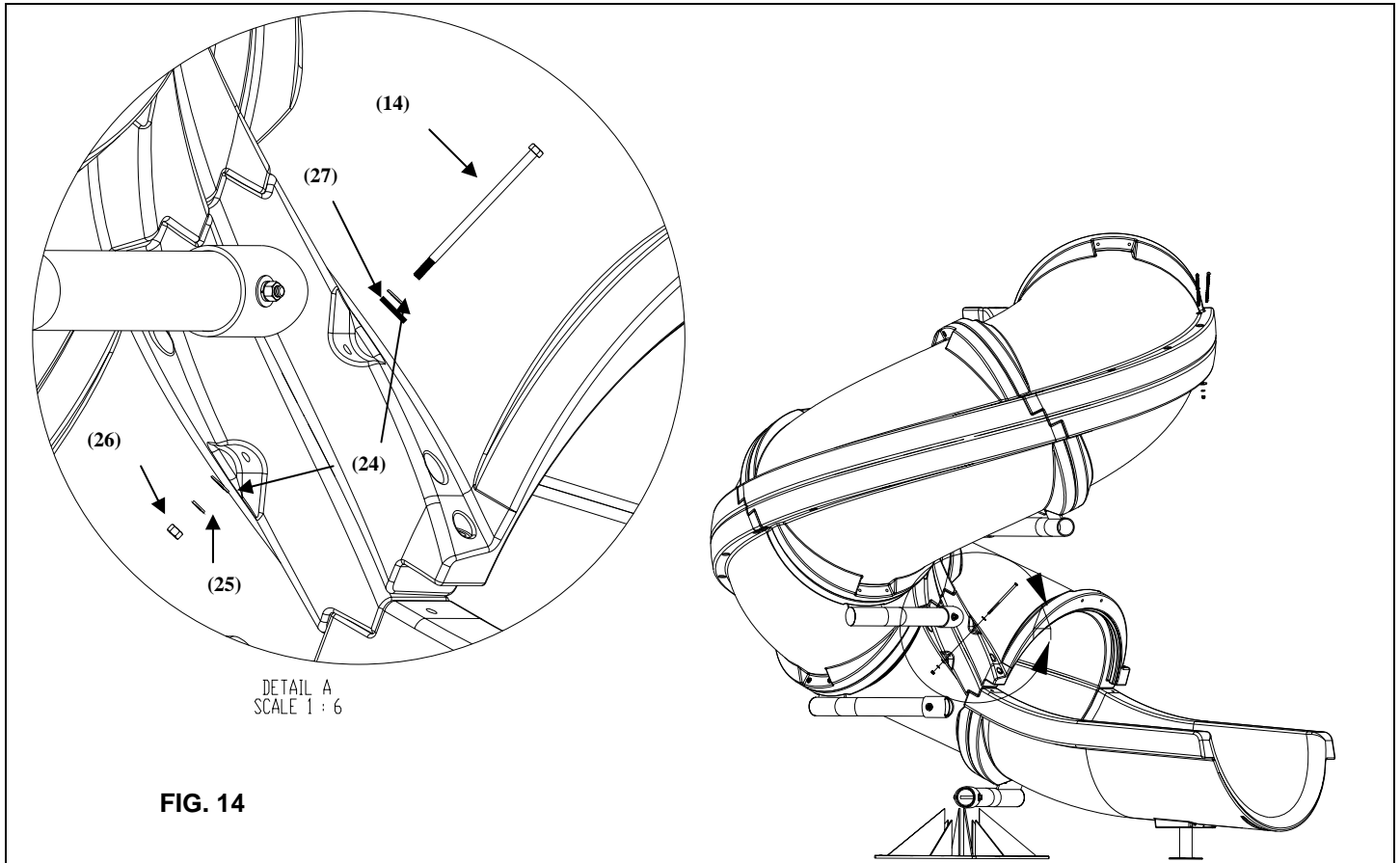


FIG. 14

11) Fasten the top and bottom runway parts together along the inside curve as shown in Figure 14, Detail A. The hardware required for this step is as follows: a 3/8"-16 x 8.5" Hex Head Cap Screw S/S (14), 3/8" Flat Washer S/S (24), 3/8" Rubber Washer (27), 3/8" Flat Washer S/S (24), 3/8" Lock Washer S/S (25), 3/8" Hex Nut S/S (26). There are four locations where this step is repeated.

After you have started all of these bolts, you should go back through and tighten all of the fasteners installed up to this point .

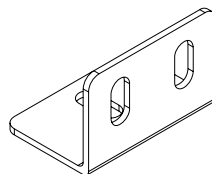
Note: Be sure to apply anti-seize to all fasteners to prevent galling.

ITEM #	PART #	DESCRIPTION	QTY.
59	6-690-4	CURVE SECTION RISER	4 ea.
60	4-235	CURVE SECTION RISER BRACKET S/S	2 ea.
11	5-513	3/8" x 4.5" BHCS S/S	6 ea.
12	5-515	3/8" x 5" BHCS S/S	16 ea.
61	5-514	3/8" x .75" BHCS S/S	4 ea.
23	05-32-111	3/8" NYLON WASHER	6 ea.
24	5-145	3/8" FLAT WASHER S/S	60 ea.
25	5-151	3/8" LOCK WASHER S/S	22 ea.
26	5-139	3/8" HEX NUT S/S	22 ea.
30	1-300-2	1/2" SCH 40 PVC SPACER 2.75"	12 ea.

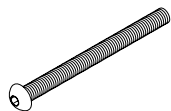
VORTEX OPEN FLUME SECTION PARTS LIST



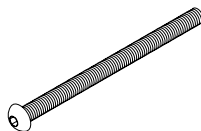
(59)



(60)



(11)



(12)



(61)



(23)



(24)



(25)



(26)



(30)

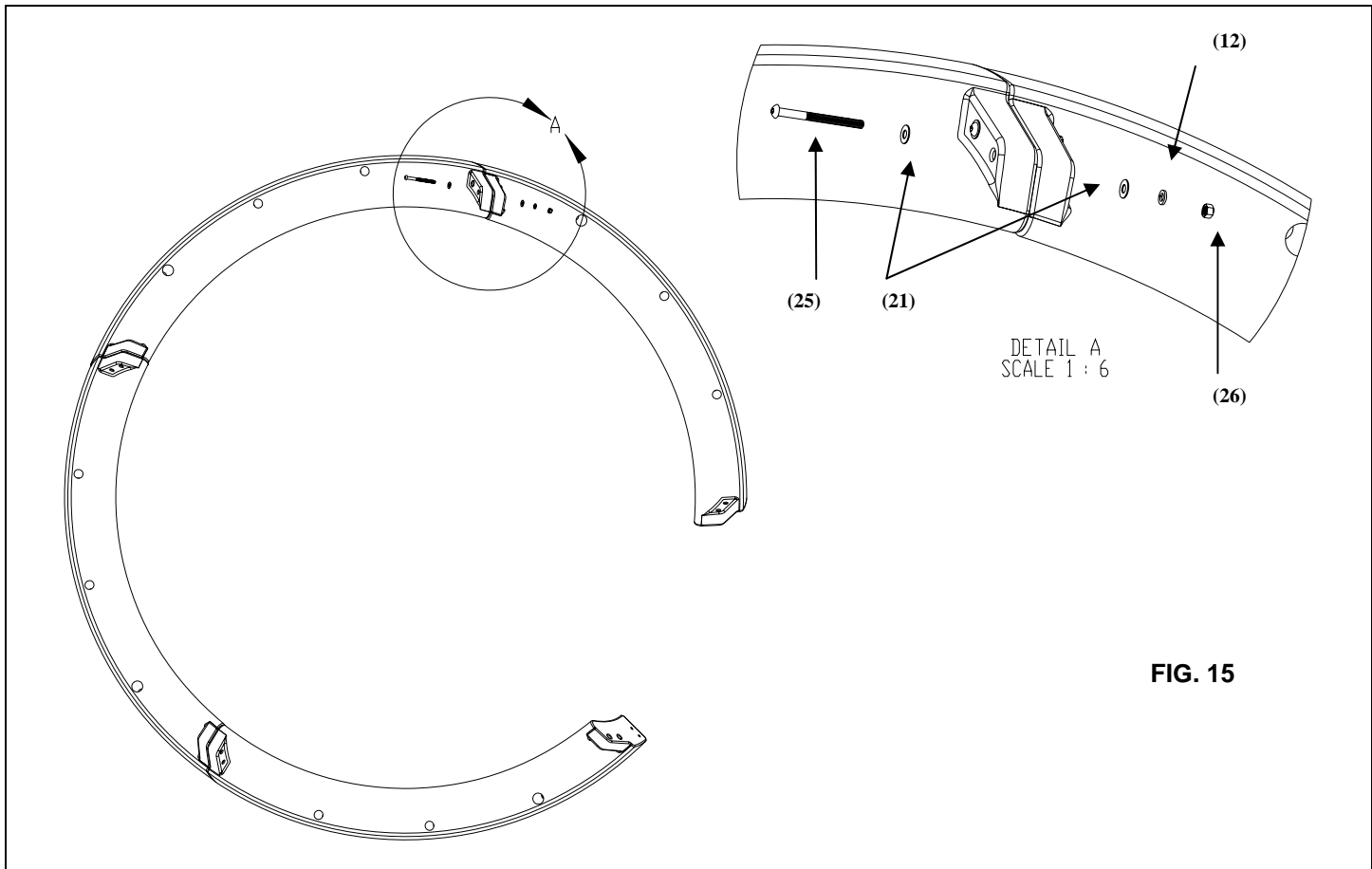
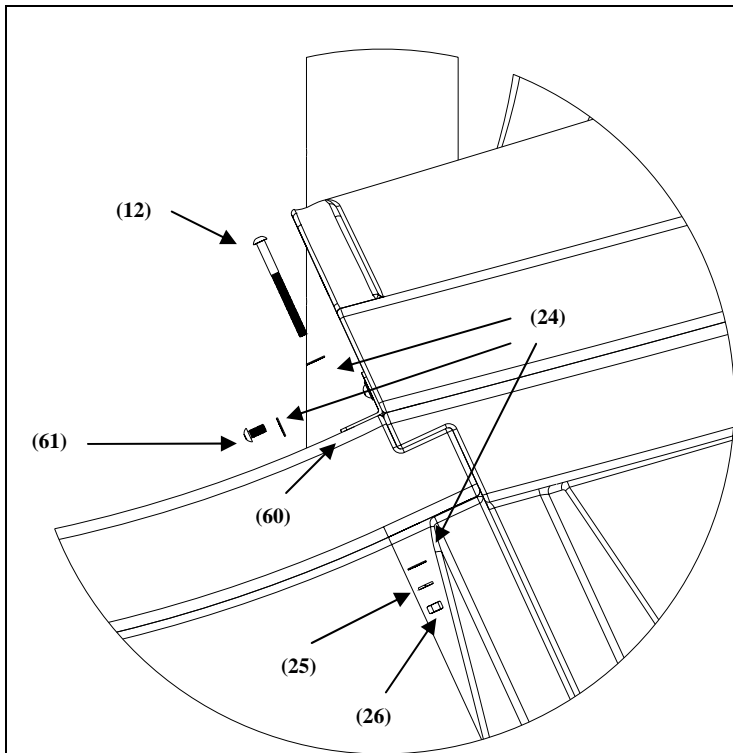


FIG. 15

9) Assemble the four Curve Section Riser (59) pieces. Fasten the two sections together using the two bolt locations through the side of the parts as shown in Figure 15, Detail A. The hardware required for the two side locations is as follows: 3/8"-16 x 4.5" Button Head Cap Screw S/S (11), 3/8" Flat Washer S/S (24), 3/8" Flat Washer S/S (24), 3/8" Lock Washer S/S (25), 3/8" Hex Nut S/S (26).

Follow the same procedure to finish assembling the remaining two sections together.

Note: Be sure to apply anti-seize to all fasteners to prevent galling



DETAIL A
SCALE 1 : 6

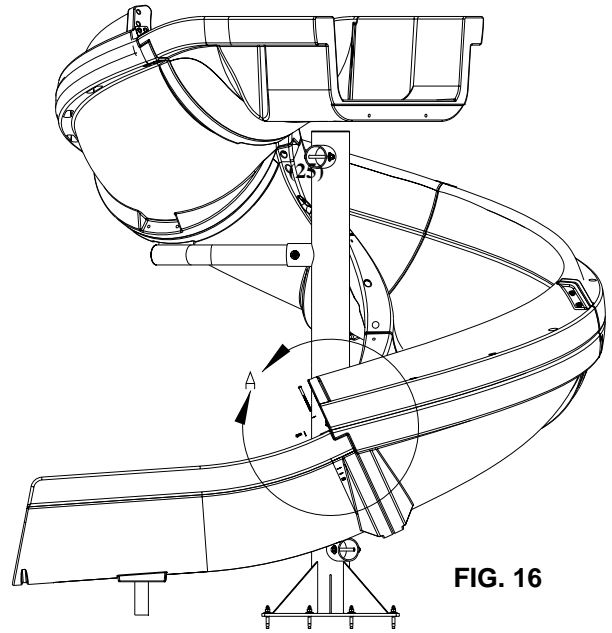
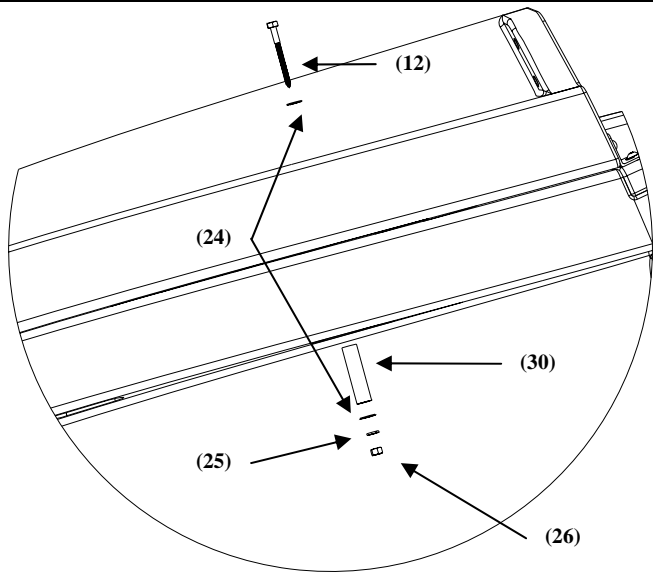


FIG. 16

10) Slide all four pieces of the open flume up the slide from the bottom. **Make sure the gasket is in place.** Next, attach the hardware at the top of the runway as shown in Figure 16, Detail A. Use the Open Flume Bracket (60) to secure the open flume pieces to the slide. The hardware required for this step is as follows: First through the bottom flume and the bracket use a 3/8"-16 x 5" Button Head Cap Screw S/S (12), 3/8" Flat Washer S/S (24), 3/8" Flat Washer S/S (24), 3/8" Lock Washer S/S (25), 3/8" Hex Nut S/S (26). Next, through the open flume and the bracket use a 3/8"-16 x .75" Button Head Cap Screw S/S (61), 3/8" Nylon Washer (23), and a 3/8" Flat Washer S/S (24). **Do not fully tighten any of the hardware until all of the hardware has been assembled.**

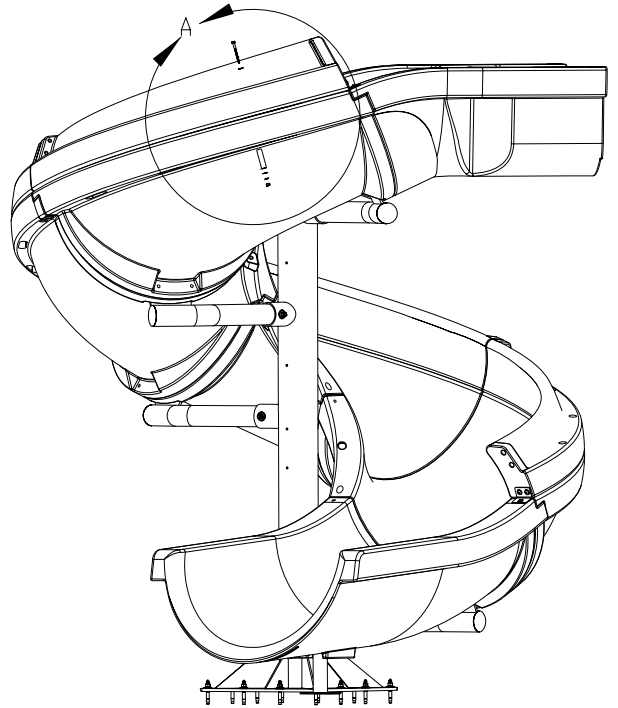
Do not over tighten.

Note: Be sure to apply anti-seize to all fasteners to prevent galling



DETAIL A
SCALE 1 : 8

FIG. 17



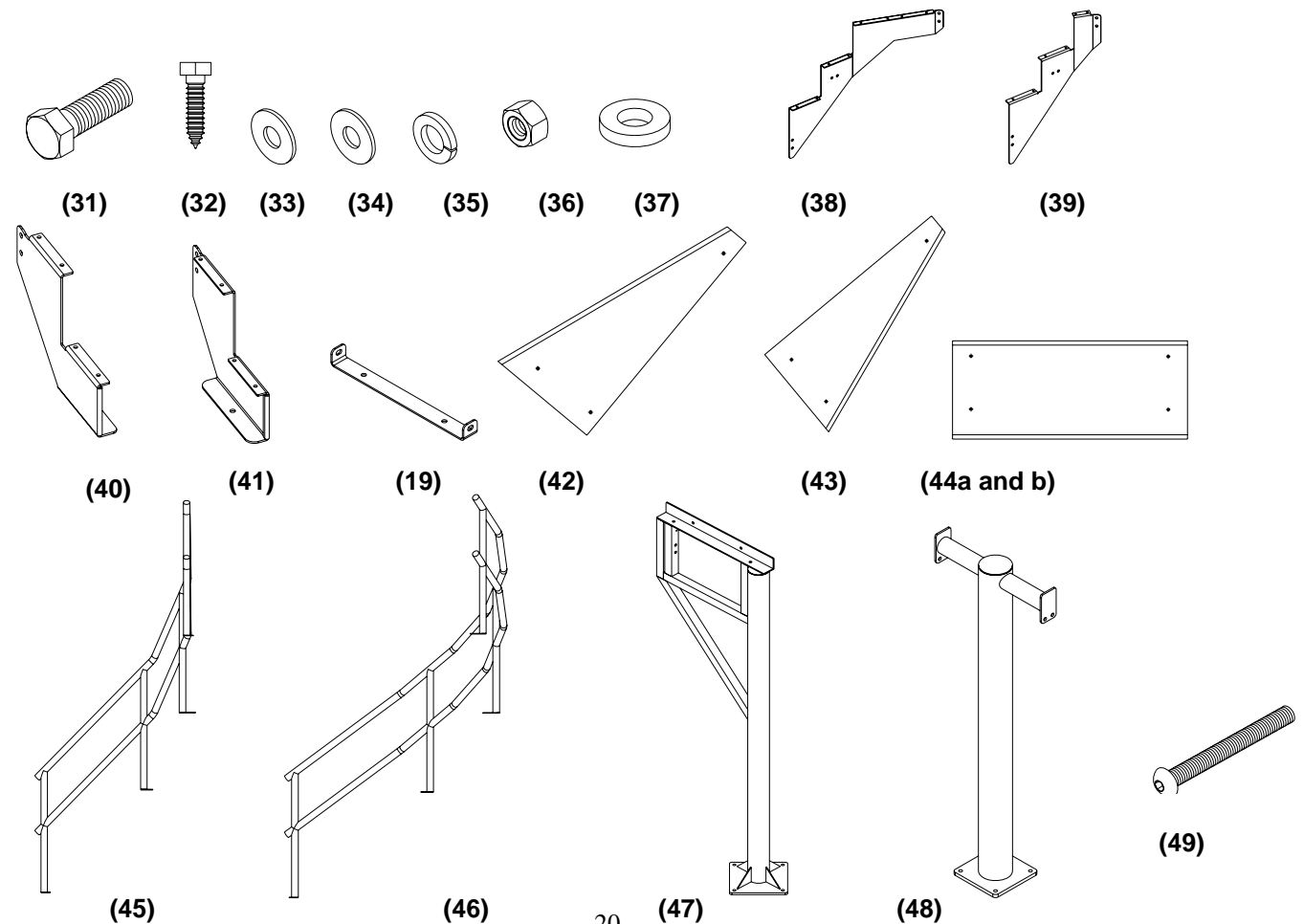
11) Next, working from the top to bottom, fasten the flumes together along the outside edge as shown in Figure 17, Detail A. The required hardware is as follows: a 3/8"-16 x 5" Button Head Cap Screw S/S (12), 3/8" Flat Washer S/S (24), 3/8" Flat Washer S/S (24), 1/2" Sch 40 PVC Spacer 3.25" (30), 3/8" Flat Washer S/S (24), 3/8" Lock Washer S/S (25), 3/8" Hex Nut S/S (26). Tighten the hardware until the gap in the joint is closed.

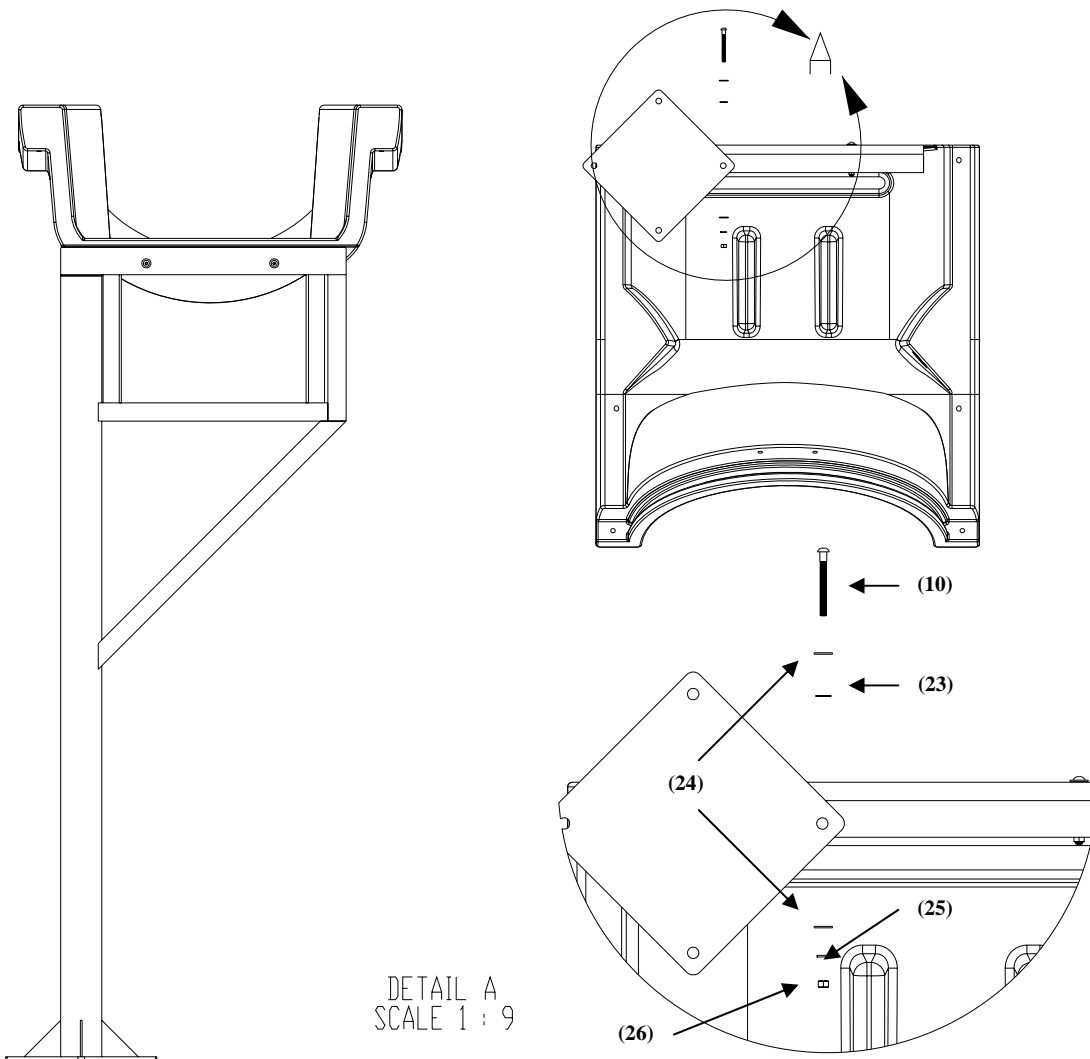
After you have started all of these bolts, you should go back through and tighten all of the fasteners installed up to this point .

Note: Be sure to apply anti-seize to all fasteners to prevent galling.

ITEM #	PART #	DESCRIPTION	QTY.
9	5-523-SS	1/2" x 3-3/4" CONCRETE WEDGE ANCHOR W/HRDW (See Page 5)	6 ea.
17	05-14-132	1/2" x 1-3/8" FLAT WASHER S/S (See Page 5)	44 ea.
18	05-14-115	1/2" LOCK WASHER S/S (See Page 5)	22 ea.
20	05-14-116	1/2" HEX NUT S/S (See Page 5)	22 ea.
22	05-616	1/2" NYLON WASHER (See Page 5)	24 ea.
23	05-32-111	3/8" NYLON WASHER (See Page 5)	46 ea.
25	5-151	3/8" LOCK WASHER S/S (See Page 5)	4 ea.
29	5-521-SS	3/8" X 3" CONCRETE WEDGE ANCHOR W/HRDWR (See Page 5)	4 ea.
31	5-252-SS	1/2" x 1.5" HEX HEAD BOLT S/S	22 ea.
32	5-253-SS	5/16" x 1.25" HEX HEAD LAG SCREW S/S	42 ea.
33	05-625	5/16" NYLON WASHER	50 ea.
34	5-306	5/16" LOCK WASHER S/S	8 ea.
35	5-303	5/16" FLAT WASHER S/S	50 ea.
36	2022650	5/16" HEX NUT S/S	8 ea.
37	05-233	1/2" SPACER	14 ea.
38	8-301	OUTSIDE STAIR BRACKET	3 ea.
39	8-300	INSIDE STAIR BRACKET	3 ea.
40	8-303	BOTTOM OUTSIDE STAIR BRACKET	1 ea.
41	8-302	BOTTOM INSIDE STAIR BRACKET	1 ea.
19	8-306	STEP BRACKET ANCHOR	1 ea.
42	6-695	REAR PLATFORM STEP	3 ea.
43	6-694	FORWARD PLATFORM STEP	3 ea.
44a	6-693	RECTANGULAR STEP W/ PILOT HOLES	7 ea.
44b	6-696	RECTANGULAR STEP W/ THROUGH HOLES	1 ea.
45	14-305	INSIDE HANDRAIL	1 ea.
46	14-304	OUTSIDE HANDRAIL	1 ea.
47	14-302	MAIN STAIR SUPPORT	1 ea.
48	14-303	MIDDLE STAIR SUPPORT	1 ea.
49	5-257	5/16"-18 X 2.5" BHCS S/S	8 ea.

VORTEX STAIRWAY SECTION PARTS LIST

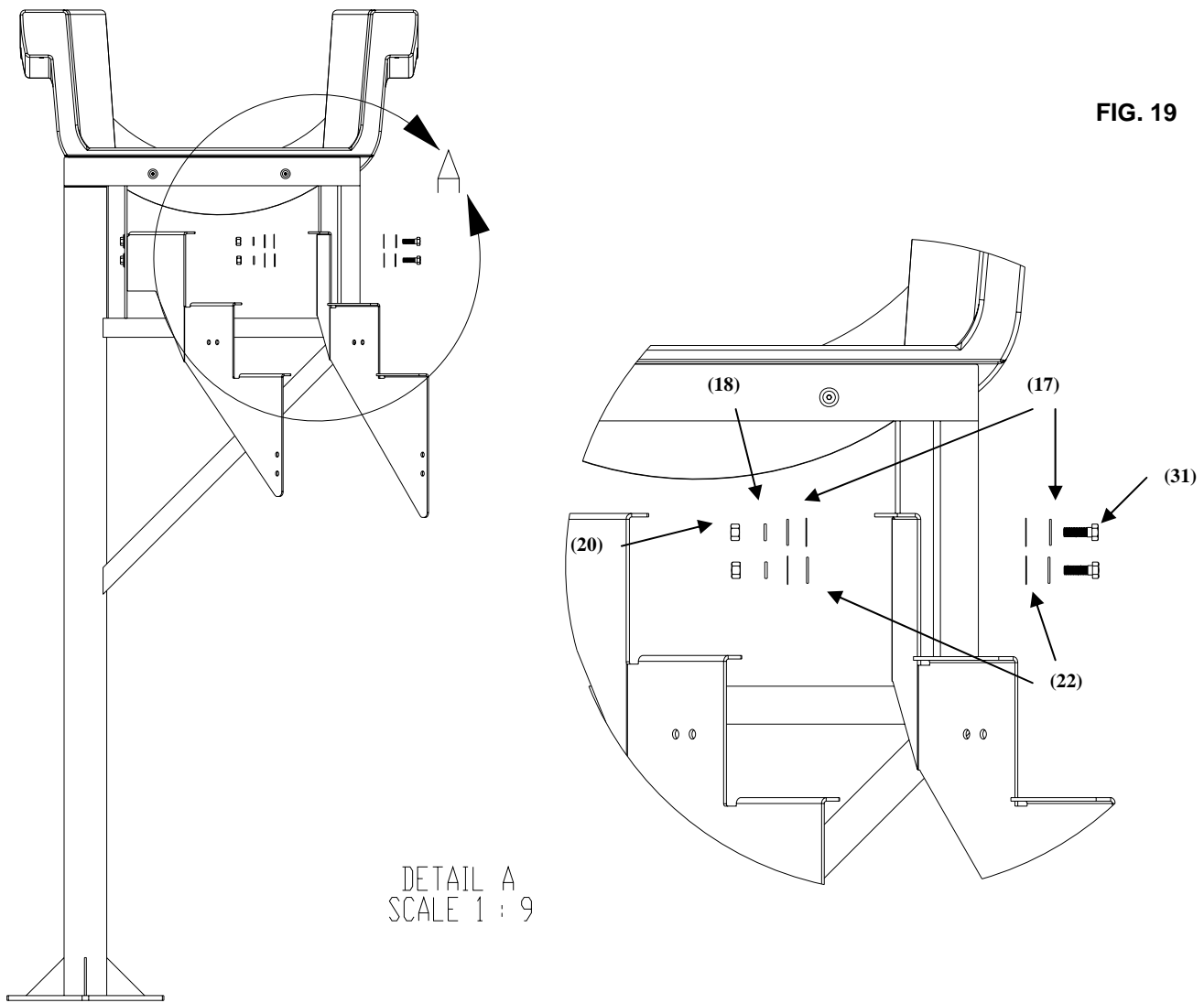




1) Move the Main Stair Support into place as shown in Figure 18. Align the holes in the support angle bracket with the holes in the entrance section. To ensure proper alignment of the assembly, temporarily place bolts through the mounting holes in the stair support angle bracket and the entrance section. It is also recommended that the bar clamps be used at this point to ensure that the support remains in place. Next, be sure that the mounting plate is flat against the concrete deck. Mark the hole locations for the concrete anchors in the base of the support. Remove the support and drill the 1/2" diameter X 2.25" deep holes for the concrete anchors. Follow the instructions on page 30 for inserting the concrete anchors into the deck. Place the support over the concrete anchors and against the entrance section of the slide. Attach the following hardware to the concrete anchors, but do not fully tighten: 1/2" Nylon Washer (22), 1/2" Flat Washer (17), 1/2" Lock Washer (18), and a 1/2"-13 Hex Nut (20). Next, place the required hardware into the holes on the front face of the stair support angle bracket, See Figure 15, Detail A. The required hardware is as follows: 3/8" x 3.5" Button Head Cap Screw (10), 3/8" Flat Washer (24), 3/8" Nylon Washer (23), 3/8" Flat Washer (24), 3/8" Lock Washer (25), 3/8" Hex Nut (26). This should be done for both sides of the support. After this connection is completed, finish tightening down the hardware at the base of the support.

Note: Be sure to apply anti-seize to all fasteners to prevent galling.

FIG. 19



DETAIL A
SCALE 1 : 9

2) Place the Outside Stair Bracket (38) in line with the two holes on the inside of the Main Stair Support so that it is closest to the support tube, as shown in Figure 19. Use the following hardware to attach the bracket to the main stair support: 1/2" x 1.5" Hex Head Bolt (31), 1/2" Flat Washer (17), 1/2" Nylon Washer (22), 1/2" Nylon Washer (22), 1/2" Flat Washer (17), 1/2" Lock Washer (18), and a 1/2" Hex Nut (20), see Detail A. Do not fully tighten yet. **After all hardware has been attached tighten each bolt securely.**

Second, place the Inside Stair Bracket (39) on the opposite side and repeat the steps to mount it securely to the slide.

Add another set of inside and outside brackets and repeat the hardware steps to attach them. The next outside bracket should be placed inside of the first bracket, and the next inside bracket should be placed outside of the first bracket.

Note: Be sure to apply anti-seize to all fasteners to prevent galling.

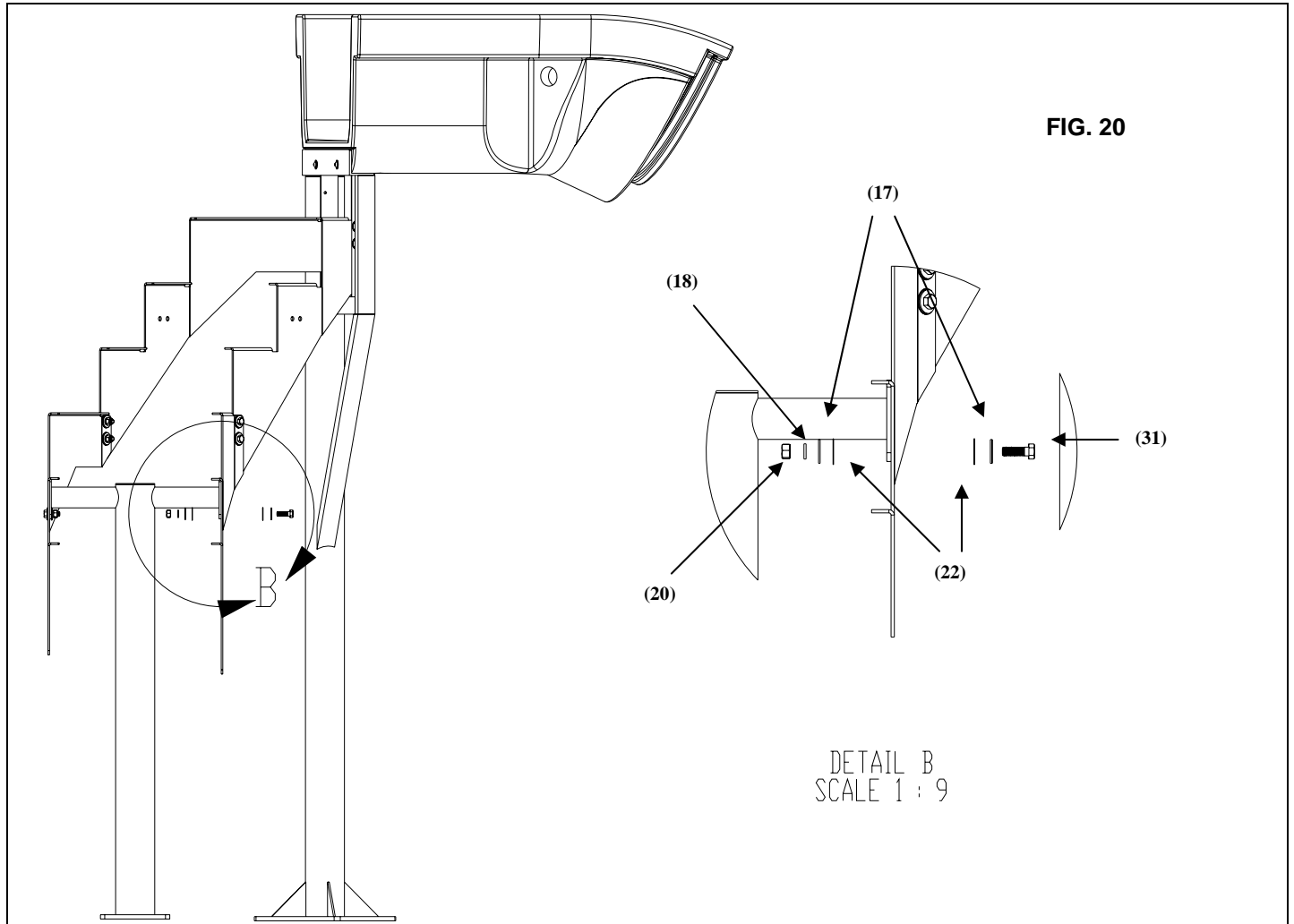


FIG. 20

DETAIL B
SCALE 1 : 9

3) Move the Middle Stair Support (48) into place as shown in Figure 20. Align the holes in the Middle Support bracket with the holes in the stair brackets. Next, attach the Middle Support to the stair brackets as shown in Figure 17, Detail A. The required hardware is as follows: 1/2" x 1.5" Hex Head Bolt (31), 1/2" Flat Washer (17), 1/2" Nylon Washer (22), 1/2" Nylon Washer (22), 1/2" Flat Washer (18), 1/2" Lock Washer (20), 1/2" Hex Nut (22). This should be done for both sides of the support.

After this is completed, place the next set of stair brackets on as described in Step 2 of this section on page 17.

Note: Be sure to apply anti-seize to all fasteners to prevent galling.

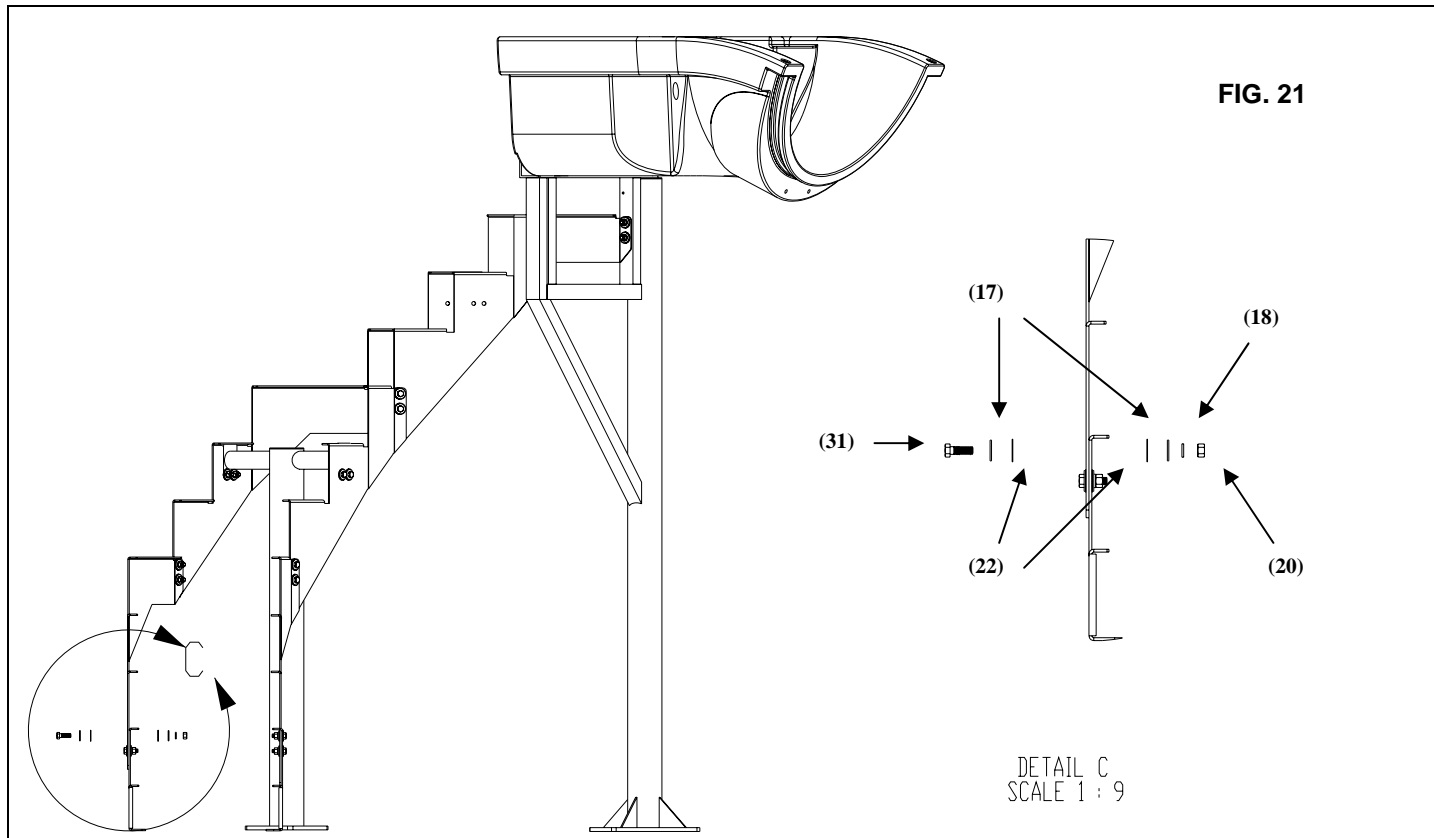
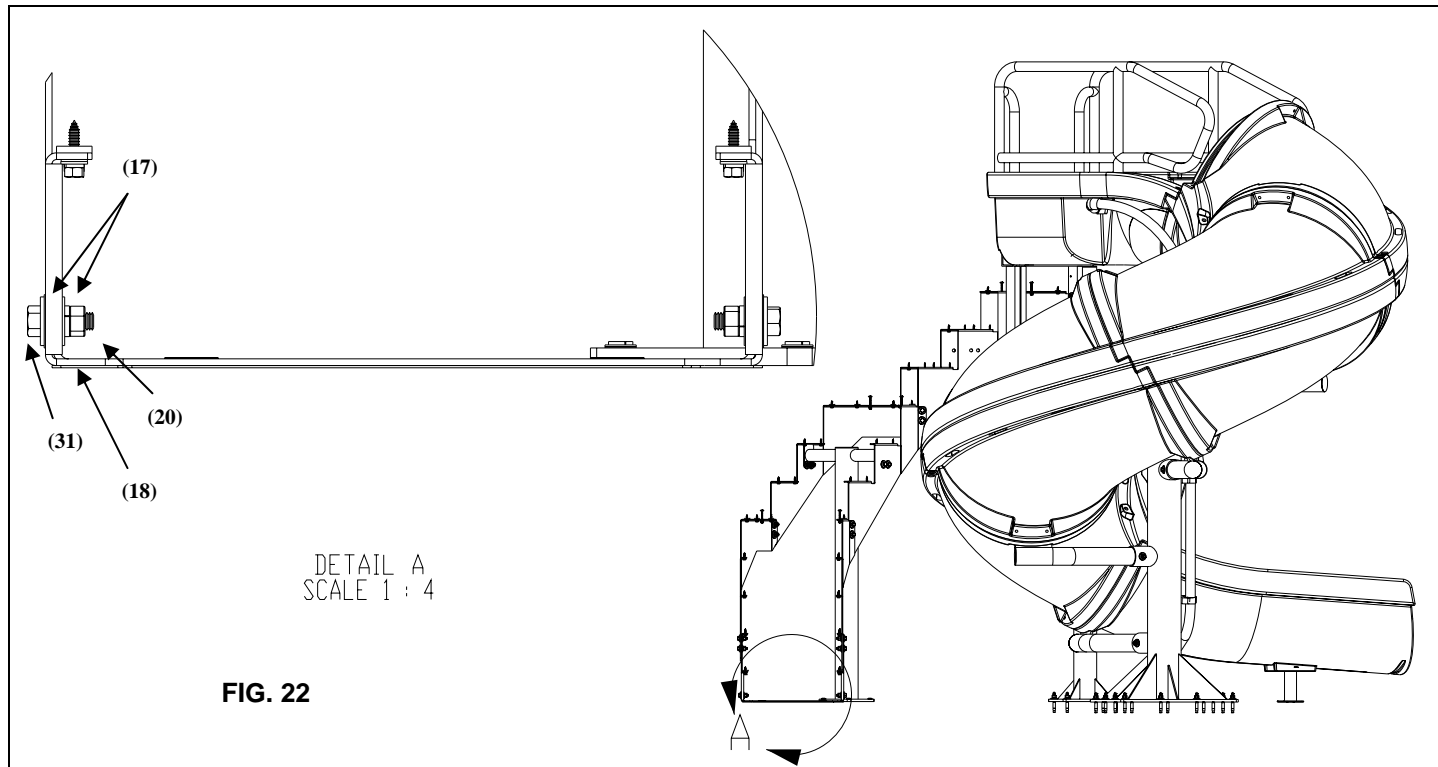


FIG. 21

4) Place the Bottom Outside Stair Bracket (40) in line with the two holes on the Outside Stair Bracket so that it is inside the stair bracket, as shown in Figure 21. Use the following hardware to attach the bracket to the main stair support: 1/2" x 1.5" Hex Head Bolt (31), 1/2" Flat Washer (17), 1/2" Nylon Washer (22), 1/2" Nylon Washer (22), 1/2" Flat Washer (17), 1/2" Lock Washer (18), and a 1/2" Hex Nut (20), see Detail C. Do not fully tighten yet.

Finally, place the Bottom Inside Stair Bracket (41) on the opposite side, outside the previous bracket, and repeat the steps above to secure it to the stair assembly.

Note: Be sure to apply anti-seize to all fasteners to prevent galling.



5) Place the Step Bracket Anchor (19) in line with the two holes on the Bottom Outside Stair Bracket so that it is inside the stair bracket, as shown in Figure 22. Use the following hardware to attach the bracket to the main stair support: 1/2" x 1.5" Hex Head Bolt (31), 1/2" Flat Washer (17), 1/2" Nylon Washer (22), 1/2" Nylon Washer (22), 1/2" Flat Washer (17), 1/2" Lock Washer (18), and a 1/2" Hex Nut (20), see Detail A. Do not fully tighten yet.

Repeat this same step on the other side of the Step Bracket Anchor, and connect it to the Bottom Inside Stair Bracket using the same hardware as above. This should be kept slightly loose until the handrails and stairs have been attached.

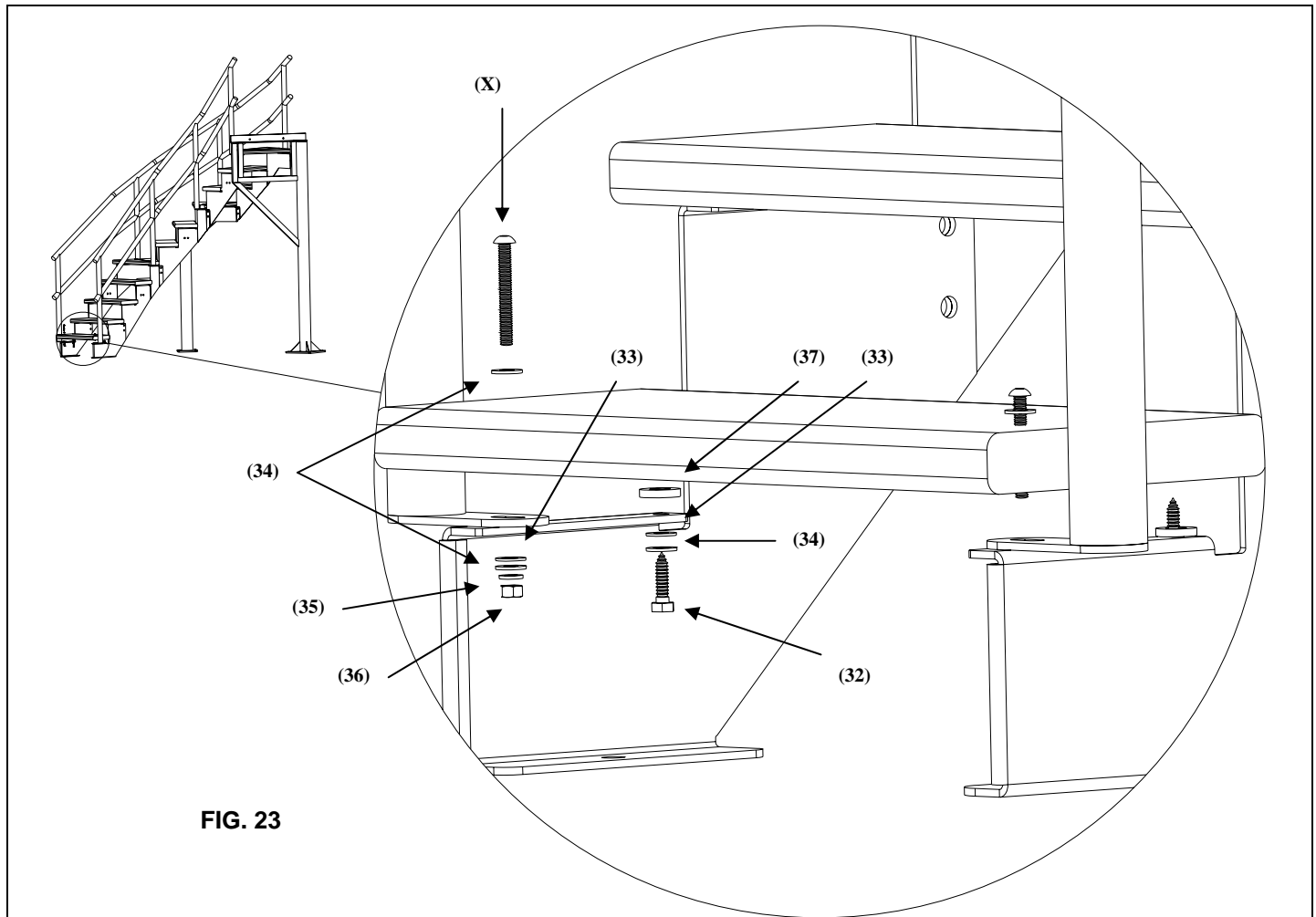


FIG. 23

6) Install the stair treads on all steps where the handrail brackets will not be attached. The handrail brackets are installed on the following steps, starting from the bottom: 1, 5, 8, and 11. Beginning at the top, align the pre-drilled holes in the stair treads with the holes on each side of the stair brackets, as shown in Figure 23. Use the following hardware to attach the stair treads to the brackets: 5/16" x 1.25" Hex Head Lag Screw (32), 5/16" Flat Washer (34), and a 5/16" Nylon Washer (33).

For the treads where a handrail bracket is attached, you will also need to add a 3/16" Spacer (37) between the bracket and the step as shown in Figure 23. You will need to assemble the handrails to the stairs before assembling the rest of the stair treads.

Note: Be sure to apply anti-seize to all fasteners to prevent galling.

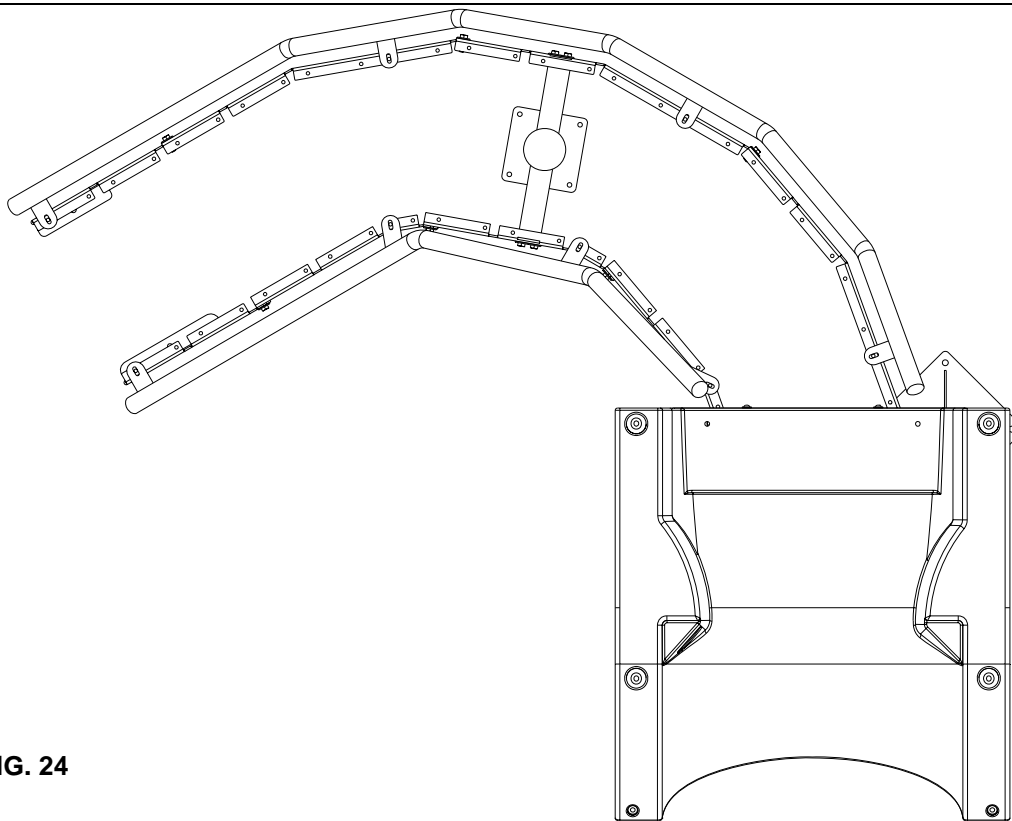


FIG. 24

7) Position the inside and outside handrails in place, as shown in Figure 24. To ensure proper alignment of the assembly, temporarily install hardware through the mounting holes in the handrail brackets and the stair brackets.

On steps where a handrail bracket is attached, you will have to use the following hardware to attach the stair treads through the brackets: 5/16" x 2.5" Socket Head Cap Screw (49), 5/16" Flat Washer (34), 5/16" Nylon Washer (33), 5/16" Flat Washer (34), 5/16" Lock Washer (35), and a 5/16" Hex Nut (36), see Figure 19.

Next, be sure that the mounting plate for the Middle Stair Support (48) and the Step Bracket Anchor (16) are flat against the concrete deck. Mark the hole locations for the concrete anchors in the base of the middle stair support and the step bracket anchor.

Remove the hardware connecting the top ladder brackets to the lower stair assembly. The handrails will also need to be removed. Move the stair assembly out of the way so that the concrete anchors can be installed.

Drill the 3/8" diameter X 2" deep holes for the concrete anchors for the Middle Stair Support and the 1/2" X 2" deep holes for the Bottom Ladder Brackets in the locations previously marked out. Follow the instructions on page 30 for inserting the concrete anchors into the deck.

Place the stair assembly back in position over the installed concrete anchors. Attach the following hardware to the concrete anchors, but do not fully tighten: Nylon Washer, Flat Washer, Lock Washer, and a Hex Nut.

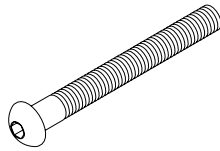
Reattach the stair assembly and the handrails. **After all hardware has been attached, go through and make sure that all hardware is tightened securely.**

ITEM #	PART #	DESCRIPTION	QTY.
9	5-523-SS	1/2" x 3-3/4" CONCRETE WEDGE ANCHOR W/HRDWR	4 ea.
10	5-250	3/8" x 3-1/2" BHCS S/S	2 ea.
12	5-515	3/8" x 5" BHCS S/S	2 ea.
24	5-145	3/8" FLAT WASHER S/S	12 ea.
25	5-151	3/8" LOCK WASHER S/S	8 ea.
26	5-139	3/8" HEX NUT S/S	8 ea.
23	05-32-111	3/8" NYLON WASHER	6 ea.
49	14-209	LADDER	1 ea.
50	14-204	LEFT GUARDRAIL	1 ea.
51	14-203	RIGHT GUARDRAIL	1 ea.

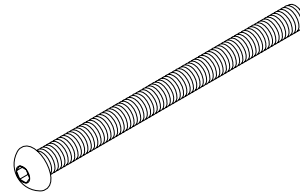
VORTEX LADDER SECTION PARTS LIST



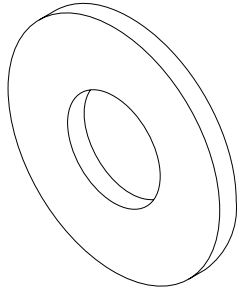
(9)



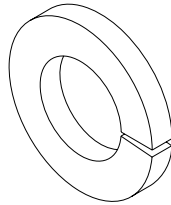
(10)



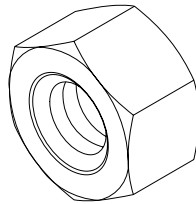
(12)



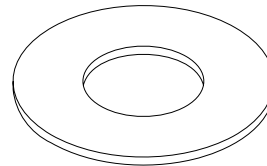
(24)



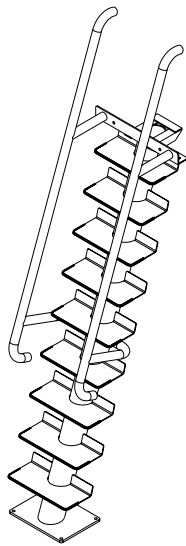
(25)



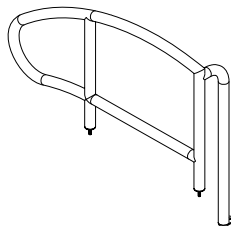
(26)



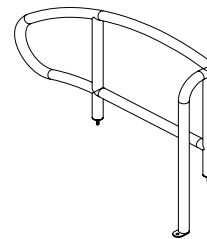
(23)



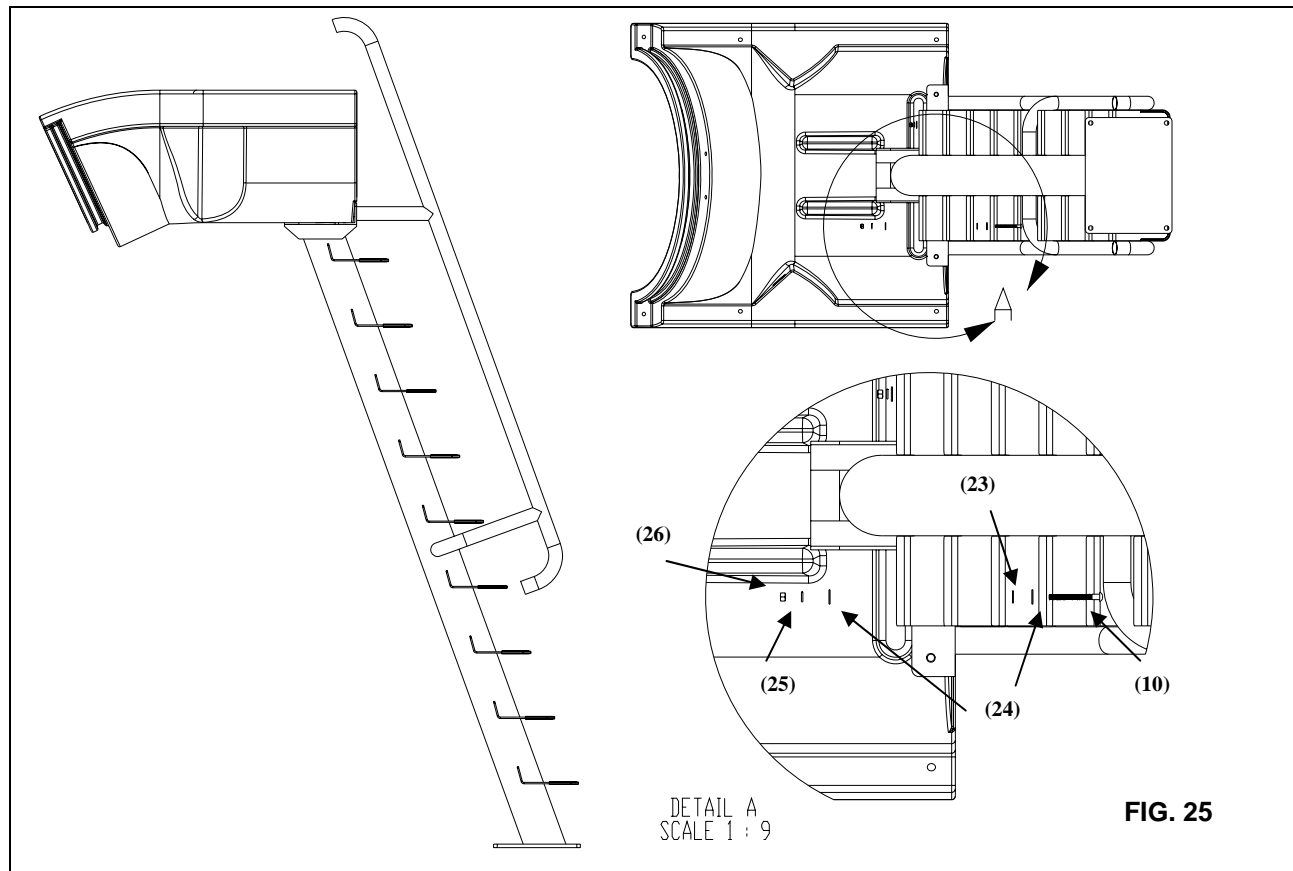
(49)



(50)



(51)



1) Move the ladder into place as shown in Figure 25. Align the holes in the ladder angle bracket with the holes in the entrance section. To ensure proper alignment of the assembly, temporarily place bolts through the mounting holes in the ladder and the entrance section. It is also recommended that the bar clamps be used at this point to ensure that the ladder remains in place. Next, be sure that the mounting plate is flat against the concrete deck. Mark the hole locations for the concrete anchors in the base of the ladder. Remove the ladder and drill the 1/2" diameter X 2.25" deep holes for the concrete anchors. Follow the instructions on page 30 for inserting the concrete anchors into the deck. Place the ladder over the concrete anchors and against the entrance section of the slide. Attach the following hardware to the concrete anchors, but do not fully tighten: 1/2" Nylon Washer, 1/2" Flat Washer, 1/2" Lock Washer, and a 1/2"-13 Hex Nut. Next, place the required hardware into the holes on the front face of the ladder angle bracket, See Figure 25, Detail A. The required hardware is as follows: 3/8" x 3.5" Button Head Cap Screw (10), 3/8" Flat Washer (24), 3/8" Nylon Washer (23), 3/8" Flat Washer (24), 3/8" Lock Washer (25), 3/8" Hex Nut (26). This should be done for both sides of the ladder. After this connection is completed, finish tightening down the hardware at the base of the ladder.

Note: Be sure to apply anti-seize to all fasteners to prevent galling.

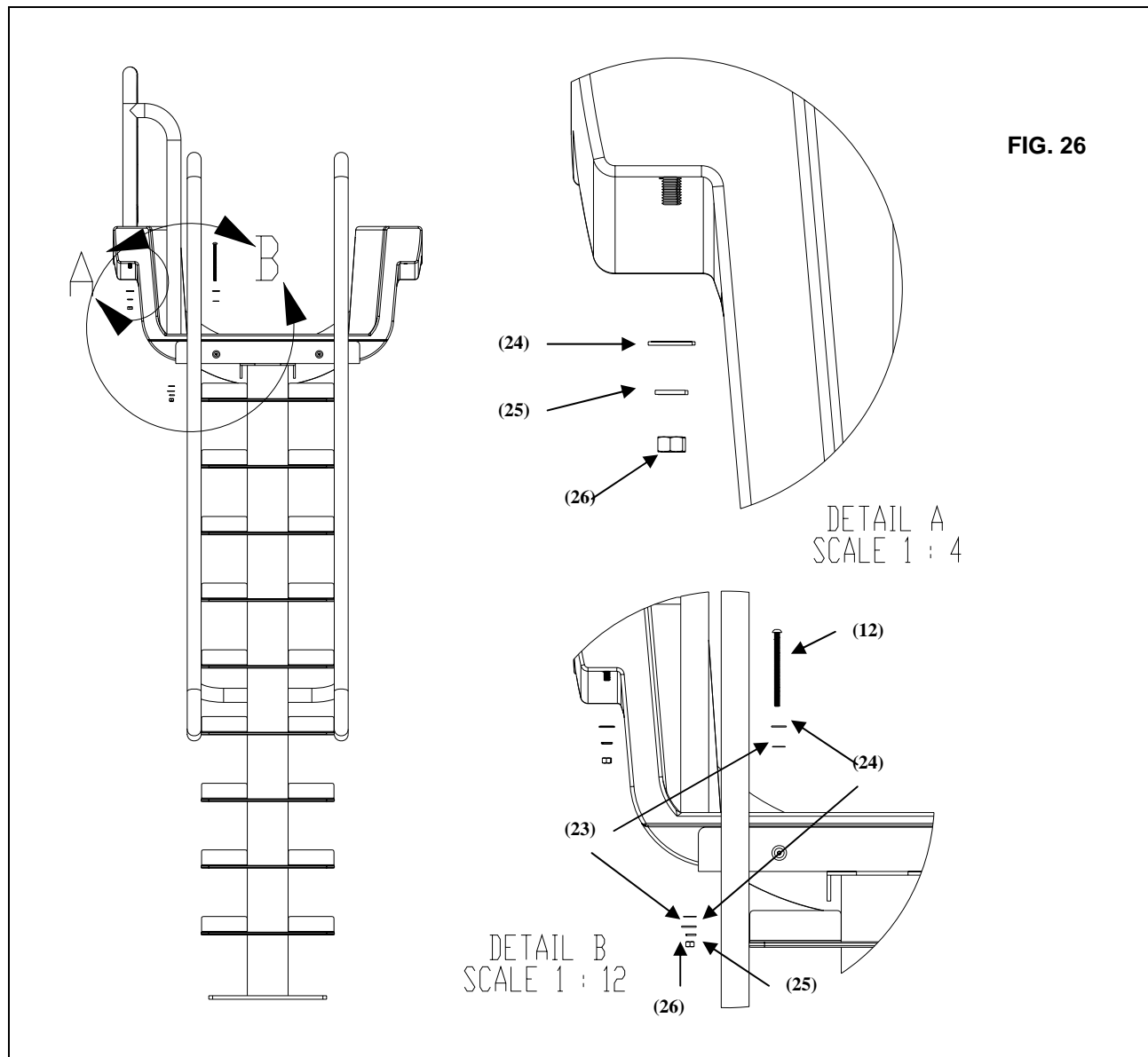


FIG. 26

2) First, place the Left Guard Rail (50) in the two sockets on the top of the Entrance Section so that the bolt end comes through the body of the slide, as shown in Detail A. Use the following hardware to attach the guardrail foot to the entrance section and the ladder: 3/8" x 5" Button Head Cap Screw, 3/8" Flat Washer (24), 3/8" Nylon Washer (23), 3/8" Nylon Washer (23), 3/8" Flat Washer (24), 3/8" Lock Washer (25), and a 3/8" Hex Nut (26), see Detail B. Do not fully tighten yet. Then attach the hardware to the two studs on the sides of the slide: 3/8" Flat Washer (24), 3/8" Lock Washer (25), and a 3/8" Hex Nut (26), see Detail A. **After all hardware has been attached tighten each bolt securely.**

Second, place the Right Guard Rail (51) in the opposite side and repeat the steps to mount it securely to the slide.

Note: Be sure to apply anti-seize to all fasteners to prevent galling.

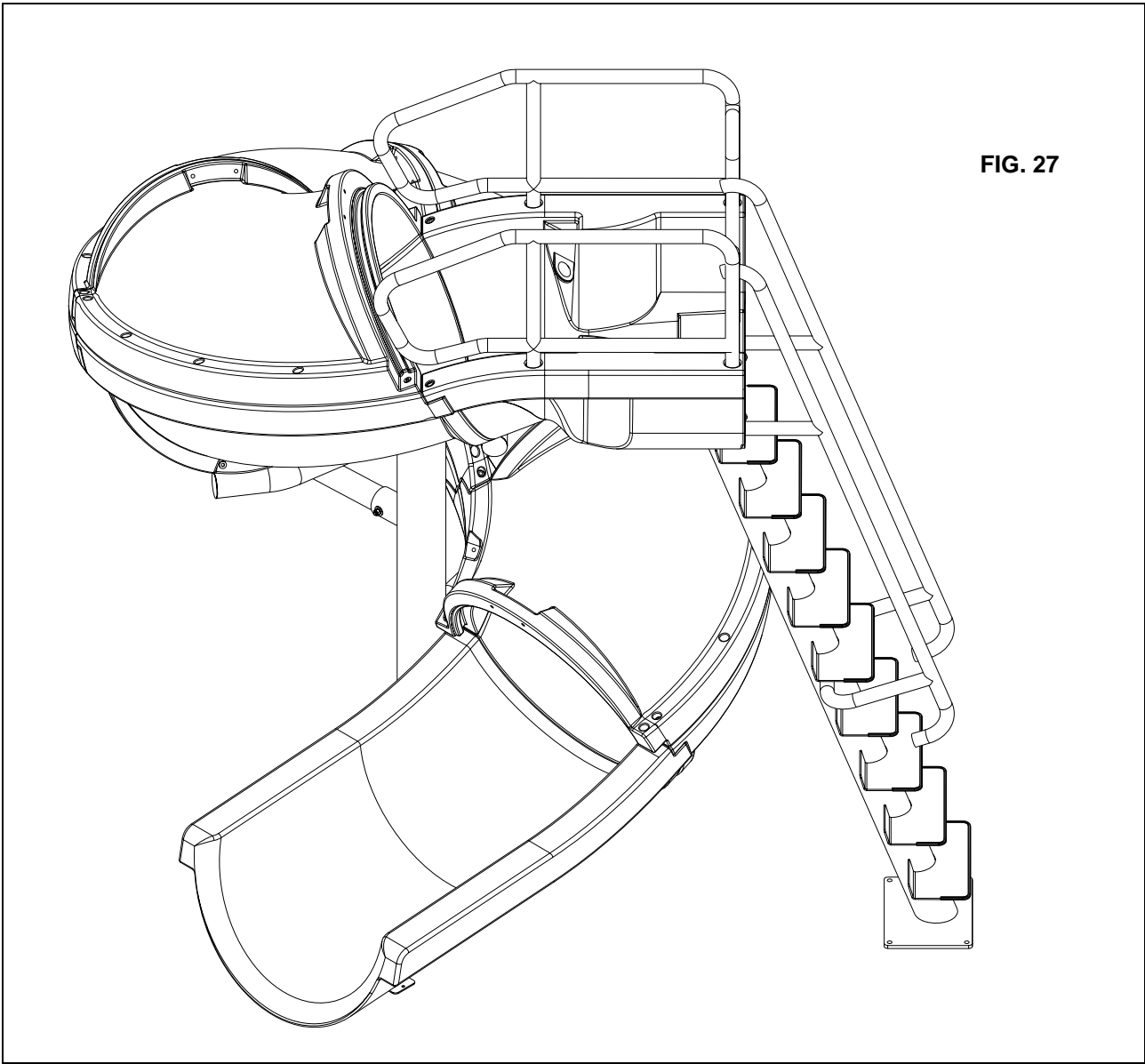
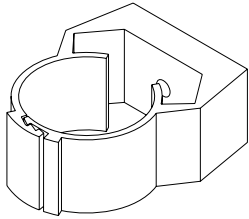


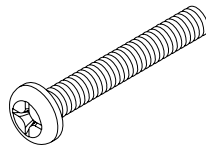
FIG. 27

ITEM #	PART #	DESCRIPTION	QTY.
52	05-788	1-1/2" CLIC TOP PIPE CLAMP	4 ea.
53	5-522	#8-32 x 2" PANHEAD SCREW (PRE-INSTALLED IN MAIN TUBE SUPPORT)	4 ea.
54	1-305-3	1-1/2" x 3" SCH 80 PIPE	1 ea.
55	05-795	1-1/2" 45 DEG SCH 80 ELBOW	1 ea.
56	05-794	1-1/2" 90 DEG SCH 80 ELBOW	1 ea.
57	05-777	1-1/2" PVC BALL VALVE	1 ea.
58	05-789	1-1/2" PVC FLEX HOSE 6' LENGTH (NOT SHOWN)	2 ea.

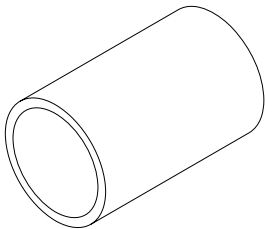
VORTEX WATER SYSTEM PARTS LIST



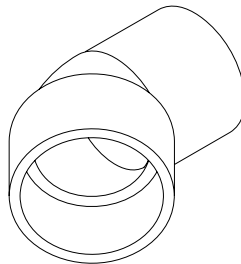
(52)



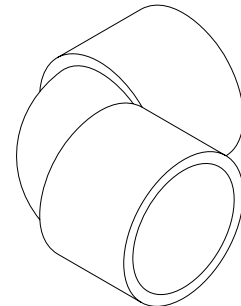
(53)



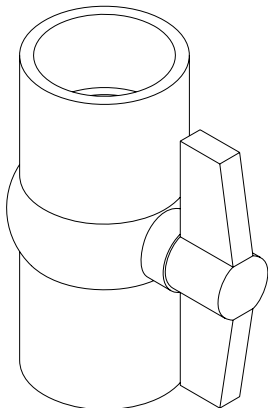
(54)



(55)



(56)



(57)

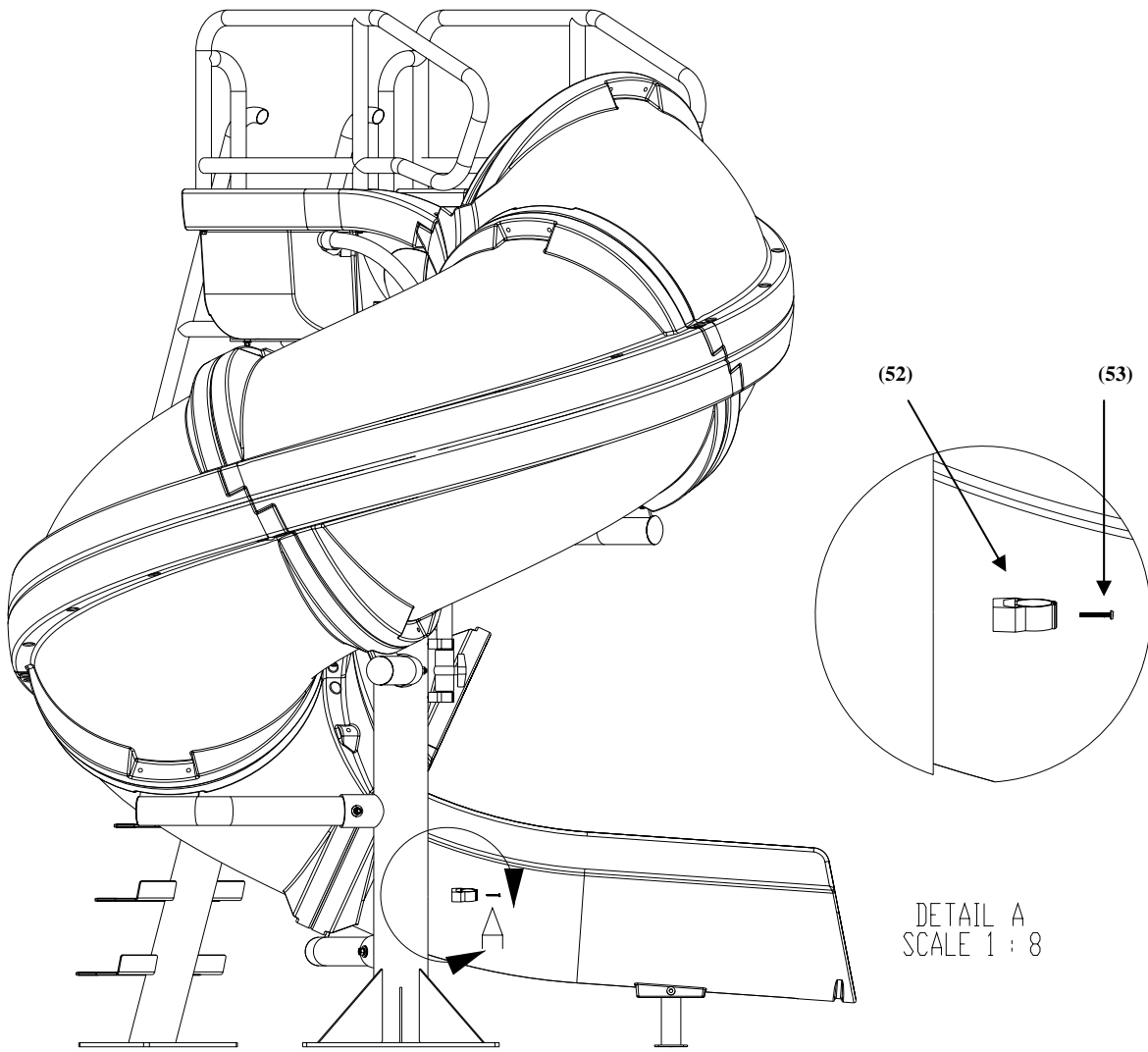
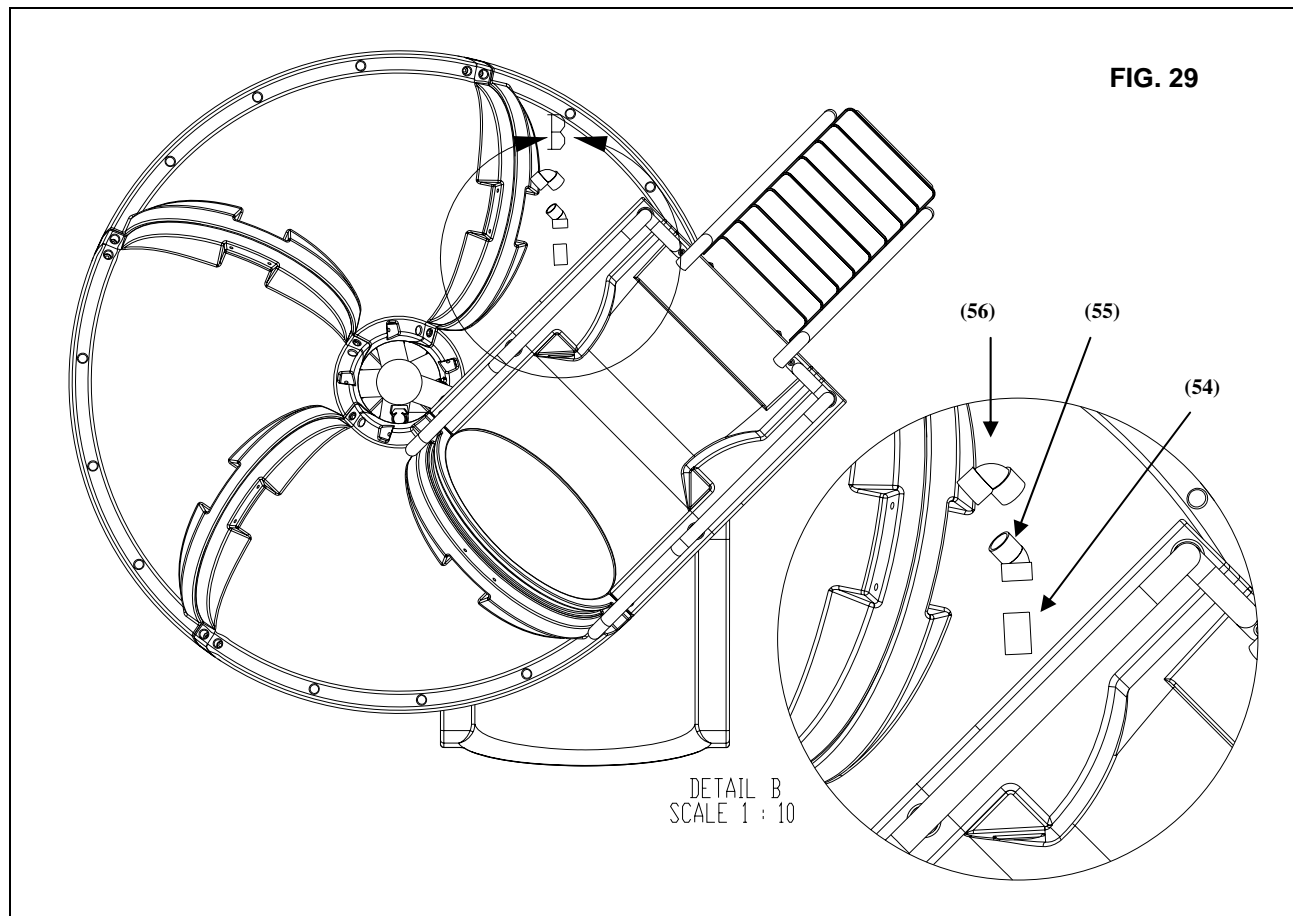


FIG. 28

1) First, attach all of the 1-1/2" Clic Top Pipe Clamps (52) using the #8-32 X 2" Panhead Screw (53) as shown in Detail A. Repeat this step for the all 5 of the pipe clamps.



2) Next, place three PVC components together in the order shown in Detail B. Do not glue any of the parts together at this point. The plumbing system should be fully assembled to ensure correct orientation before the parts are glued together. Assemble the 1-1/2" x 3" Sch 80 PVC pipe (54) into the back side of the water nozzle in the entrance section. Next, attach the 1-1/2" 45 degree Sch 80 Elbow (55), and finally the 1-1/2" 90 degree Sch 80 Elbow (56). The 1-1/2" PVC Flex Hose (58) runs along the Main Support (5), so make sure that the 1-1/2" 90 degree Sch 80 Elbow (56) points toward that direction.

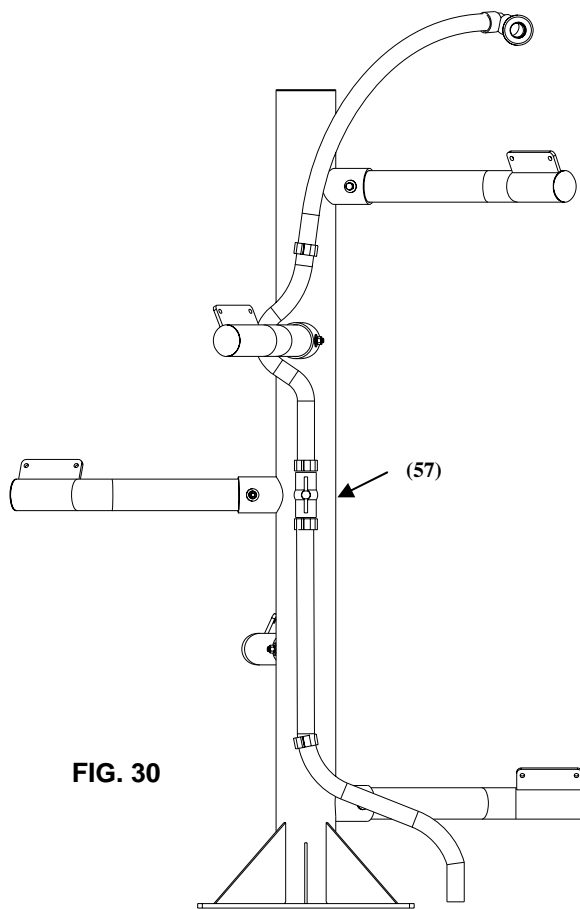


FIG. 30

3) Starting at the stub location, connect the 1-1/2" PVC Flex Hose (58) and bring up through the first and second 1-1/2" Clic Top Pipe Clamps (52). Then attach the 1-1/2" PVC Ball Valve (57). On top of the ball valve, you should attach another length of 1-1/2" PVC Flex Hose (58), and run it up through the next two 1-1/2" Clic Top Pipe Clamps (52) to the 1-1/2" 90 degree Sch 80 Elbow (57). When all of these connections have been successfully completed, start at the top and use PVC primer and glue to attach each connection securely. First place the primer on both surfaces that will be attached, then place the glue on the connections and slide them together. These are not provided, but can be purchased at any plumbing supply store.

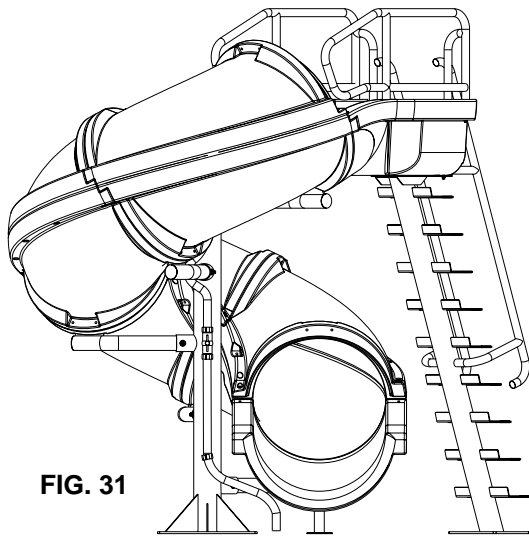


FIG. 31

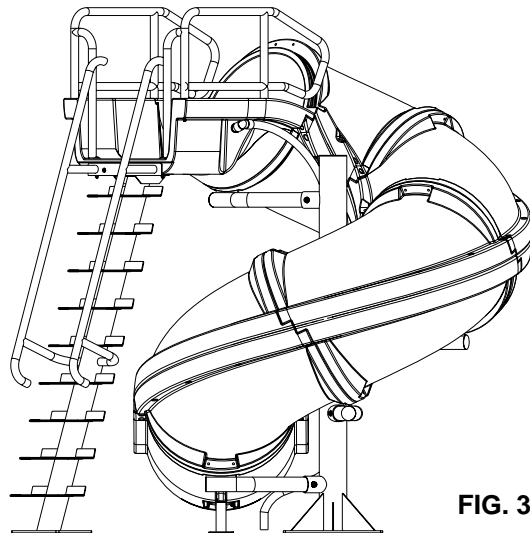
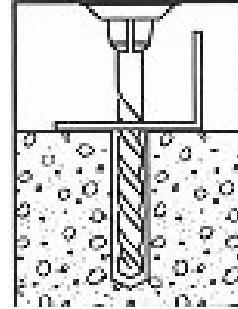


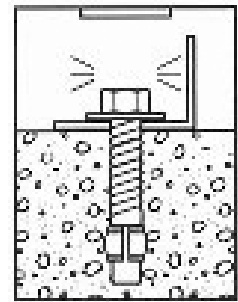
FIG. 32

CONCRETE WEDGE ANCHOR MOUNTING INSTRUCTIONS

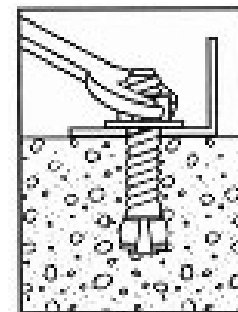
1. Place the assembled slide on the deck relative to the pool wall. Ensure that the exit flume clears any coping. Slide may be angled slightly providing all dimensions are maintained as noted in the **Manufacturer's Placement Instructions** noted in the following section.
2. With the slide in its proper location, center punch or otherwise mark through the mounting holes at the bottom of the ladder and pedestal so that a visible mark is apparent on the concrete.
3. Using a hammer drill and a concrete drill bit, drill the holes to the required depth. Use tape or a marking on the drill bit to ensure that the hole for the anchor is drilled to the required depth. Maintain drill hole straight and perpendicular for proper holding strength of anchor stud.



4. Clear the holes of all debris. Assemble anchor with nut and washer so that the top of the nut is flush with the top of the anchor. Move the slide over the holes and insert the anchors. Drive anchor through the slide mounting holes so that nut and washer are flush with the surface material.

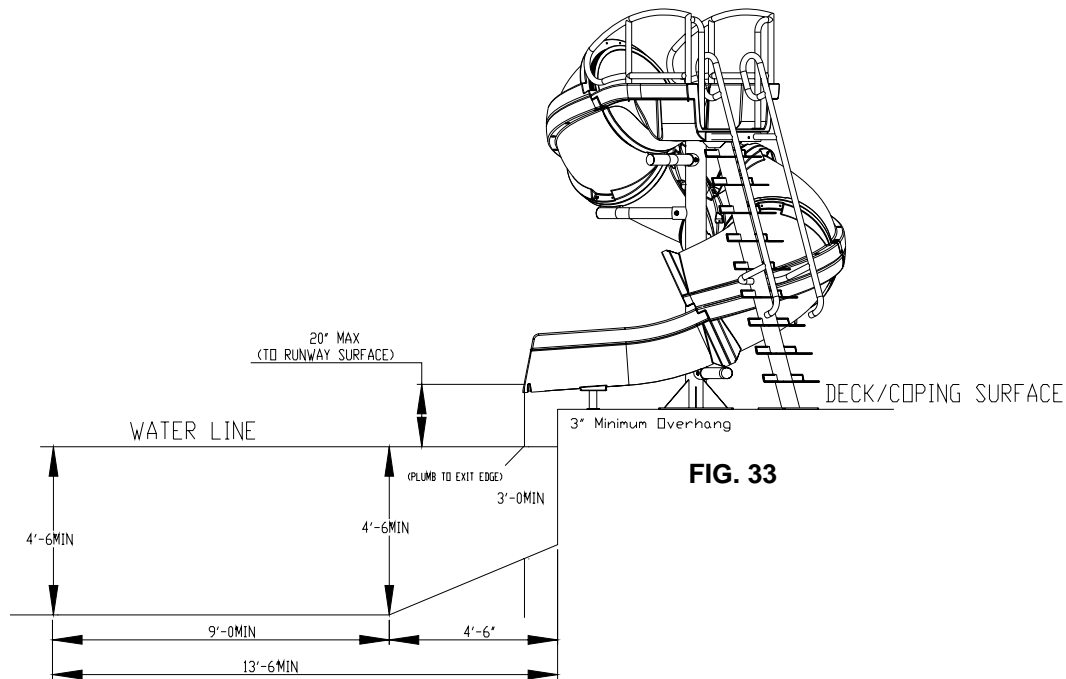


5. Expand anchor by tightening nut 3 to 5 turns. Once anchor is set remove nut and install a lock washer, and retighten nut to a torque of 25 ft.-lbs.



MANUFACTURER'S PLACEMENT INSTRUCTIONS

1. The critical dimensions for placement of the VORTEX are as shown in **FIG.'S 8 and 9**.
 - A. The slide exit runway surface shall not exceed twenty inches (20") above the water surface as shown in **FIG. 33**.
 - B. The slide shall be positioned so that all water flowing off the runway exit drops into the pool. The recommended overhang is 4 inches.
 - C. The minimum depth of water below the exit lip of the slide shall be three feet (3') and increase to four feet six inches (4'-6") at Pt. A, which is a distance of four feet six inches (4'-6") from the exit lip of the slide as shown in **FIG. 33**.
 - D. A minimum depth of four feet six inches (4'-6") shall be maintained at a distance of nine feet (9') along the extended centerline of the slide from Pt. A. as shown in **FIG. 33**.



2. A minimum clearance area in front of the slide shall be maintained at all times as follows:
 - A. The minimum clearance distance on either side of the extended centerline of the slide runway shall not be less than three feet six inches (3'-6") at a point no less than two feet six inches (2'-6") from the exit lip of the slide and extending a distance of thirteen feet six inches (13'-6") in front of the slide as shown in **FIG. 34**.
 - B. The minimum clearance area in front of a properly installed diving board on an inground swimming pool is a minimum distance of three feet six inches (3'-6") on either side of the board's centerline as shown in **FIG. 35**. Pt. C extends a minimum distance of "C" from the tip end of the board as shown in **FIG. 35**. The width distance "W" on either side of Pt. C is given in **CHART 1** and shown in **FIG. 35**.

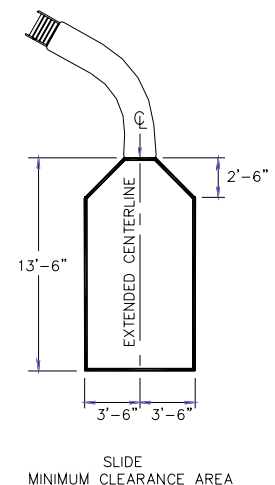


FIG. 34

CHART 1

BOARD MINIMUM CLEARANCE AREA		
POOL TYPE	"C" DIMENSION	"W" DIMENSION
I	14'-6"	5'-0"
II	14'-6"	6'-0"
III	16'-6"	6'-0"
IV	18'-6"	7'-6"
V	21'-0"	7'-6"

See Article 5 contained in ANSI/NSPI-5 2003 STANDARD FOR RESIDENTIAL INGROUND SWIMMING POOLS and refer to FIGURE 3 and Table 1 for Minimum Water Envelope Dimensions AB, BC and Width at Point C.

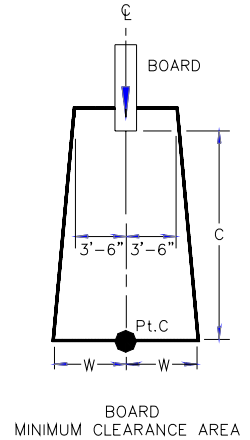


FIG. 35

"C" DIMENSION FOR BOARD = AB + BC

"W" DIMENSION FOR BOARD = WIDTH AT PT.C

- C. The minimum clearance area of a slide or diving board shall not intersect any coping or rope and float line as shown in **FIG. 32**. The minimum clearance area of a slide or diving board may intersect each other provided that they are not used simultaneously.

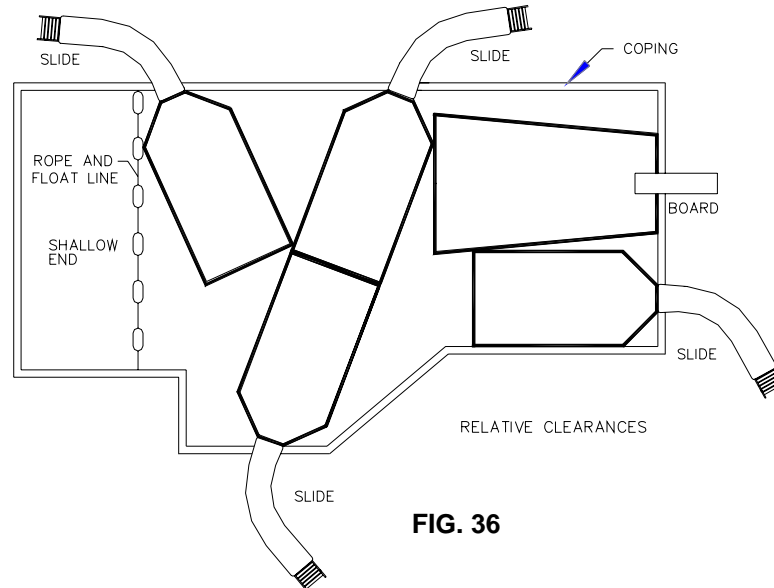


FIG. 36

INSTALLED VORTEX STRUCTURAL & INSTALLATION CHECKLIST

1. Inspect the runway for visible cracks or tears.
2. Inspect the slide for sharp edges, protrusions, cracks or tears.
3. Inspect all fasteners to make sure they are fully tightened.
4. Inspect the ladder for rigidity and attachment.
5. Measure the following dimensions and compare with the Manufacturer's Placement Instructions on pages 11 and 12.
 - Measure the depth of water in front of the slide exit. (4'-6" min. depth at a distance of 4'-6" from exit end of slide.)
 - Measure the height of the slide runway exit above the water. (20" max.)
 - Measure the distance between the slide centerline and the edge of other pool equipment.
6. Observe the position of the exit of the slide as shown in FIG.'S 8, 9 and 11 on pages 10 and 11.

MAINTENANCE INSTRUCTIONS

1. Periodically inspect the Vortex to assure there are no worn parts and that all hardware is properly tightened. Replace any hardware which exhibits rust or corrosion.
2. All slide components require periodic maintenance. Clean components with a cotton cloth and a non-abrasive soap and water. Avoid harsh chemicals and disinfectants.
3. Always read the label instructions on any cleaner carefully before applying it to a surface.
4. Inspect the plumbing system for leaks. Freeze/Thaw cycles may cause leaks at plumbing joints which should be repaired prior to use.
5. Check all safety labels to insure they have not peeled or been removed. Contact S.R. Smith Customer Service (800-824-4397) for replacement labels.
6. The support structure is made from steel, is primed and powder coated with a high quality acrylic urethane finish. However, corrosion may occur depending on water chemistry and environmental conditions. Inspect the slide on a semi-annual basis, sand and repair any surface rust. For touch-up paint (PN # 09-819-1), contact S.R. Smith Customer Service (800-824-4397).

CAUTION: Because this product is manufactured from Steel, placement on a pool with a Salt Chlorine Generator will require frequent inspection and maintenance due to the corrosive nature of these systems with all steel alloys.

IMPORTANT

PERSONALLY GIVE TO SLIDE OWNER THE VORTEX OWNER'S MANUAL, THE WARRANTY CARD AND ANSWER ALL QUESTIONS.