

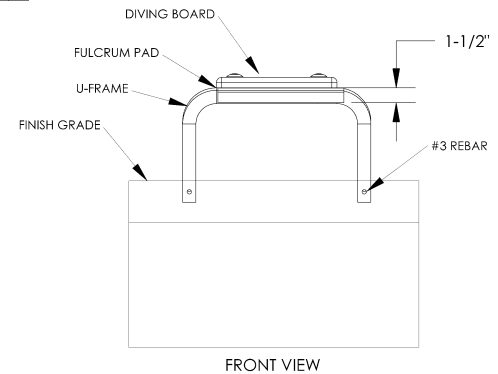
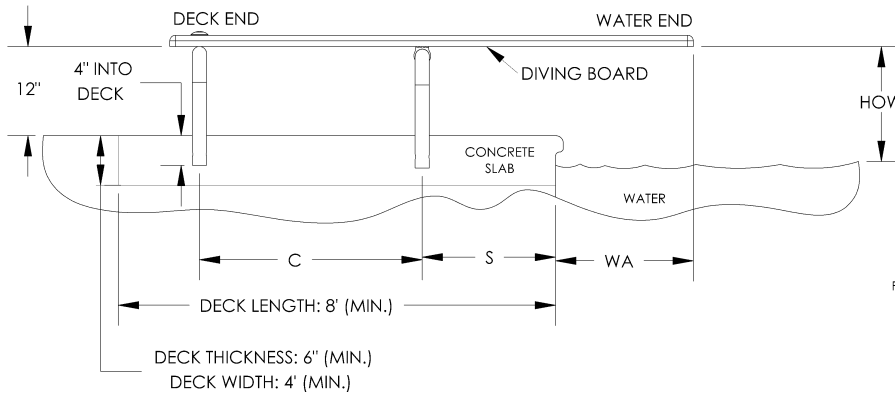
## U-STANDARDS BASE:



### FEATURES:

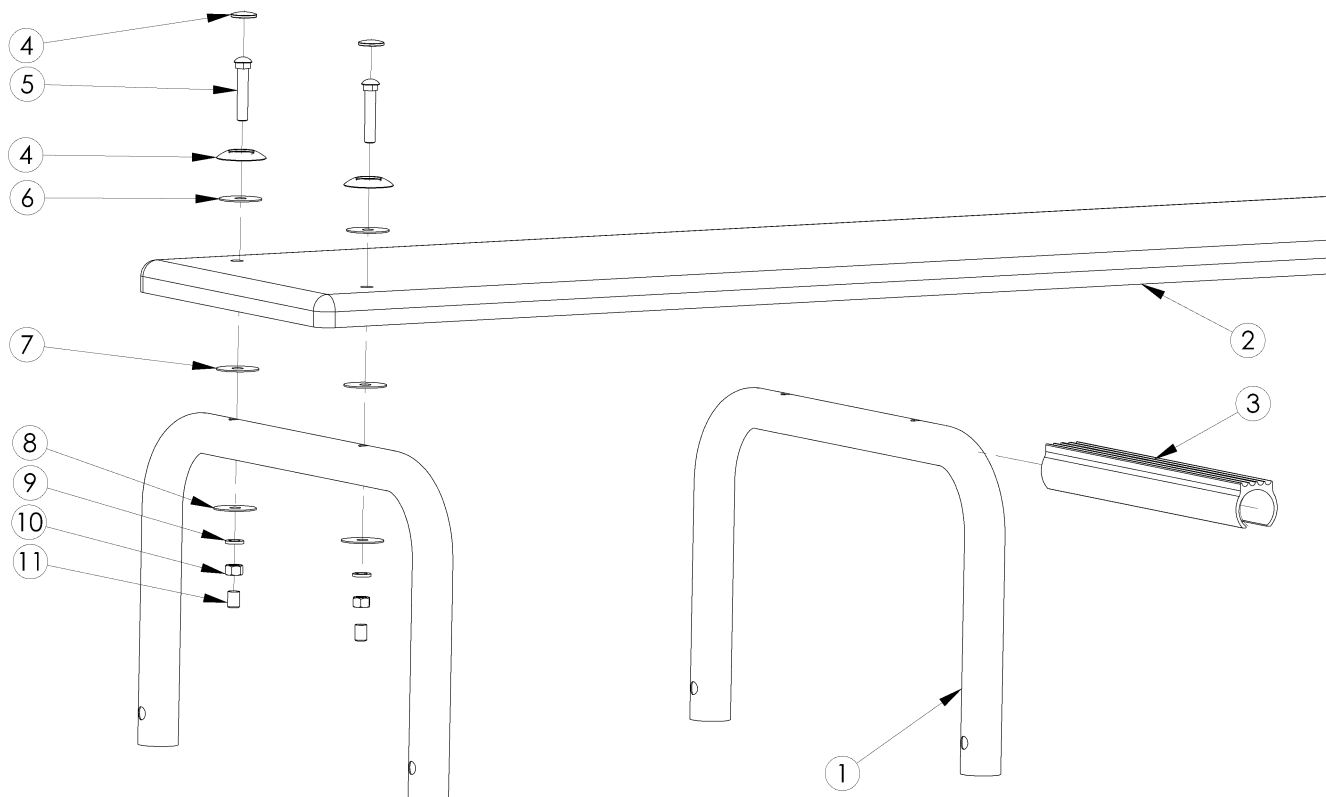
- Passive Base - Spring Feature is Derived from Board
- Available in 5 Powder Coated Finishes
- Available for Use With 6', 8', 10', 12' Length Boards
- 2 Hole Drill Pattern 12" on center
- Refer to Board Chart on Pg. 7
- Refer to Available Base Colors on Pg. 7

Part # DBU12049 (12" U style)  
 Part # DBU18049 (18" U style; Also available in .065" #DBU18065)  
 Part # DBU24049 (24" U style; Also available in .065" #DBU24065)



<b>IMPORTANT:</b>	<b>U-STANDARDS PART #</b>	<b>NOMINAL BOARD LENGTH</b>	<b>ANSI/ NSPI-5 POOL TYPE</b>	<b>DISTANCE FROM WATER'S EDGE TO FORWARD U-STAND (S)</b>	<b>DISTANCE FROM END OF BOARD TO FORWARD JIG BOLT</b>	<b>MIN. OVERHANG PLUS OR MINUS 3" (WA)</b>	<b>MAX HEIGHT OF BOARD ABOVE WATER (HOW)</b>	
	<small>(Note: there are several sizes available for each pool type)</small>							
<p>THESE DIMENSIONS ARE ACCURATE ONLY FOR VERTICAL POOL WALLS, <b>TYPICALLY GUNITE CONSTRUCTION</b>, WITH LESS THAN A 3' RADIUS TO THE POOL FLOOR.</p> <p>DUE TO THE VARYING SIZES OF OTHER POOLS, <b>TYPICALLY VINYL LINER CONSTRUCTION</b>, PLEASE CONTACT CUSTOMER SERVICE FOR PROPER JIG PLACEMENT.</p> <p><b>1-800-737-5386</b></p>	DBU12049 or DBU18049	6'	I	18.25"	36.25"	18"	20"	
	DBU12049 or DBU18049	6'	II	18.25"	36.25"	18"	20"	
	DBU12049 or DBU18049	6'	III	12.25"	36.25"	24"	26"	
	DBU12049 or DBU18049	6'	IV	6.25"	36.25"	30"	30"	
	DBU12049 or DBU18049	6'	V	Not recommended. Call customer service for more information.				
	DBU12049 or DBU18049	8'	I	Not recommended. Call customer service for more information.				
	DBU12049 or DBU18049	8'	II	32"	50"	18"	20"	
	DBU12049 or DBU18049	8'	III	26"	50"	24"	26"	
	DBU12049 or DBU18049	8'	IV	20"	50"	30"	30"	
	DBU12049 or DBU18049	8'	V	14"	50"	36"	40"	
	DBU18049 or DBU24049	10'	I	Not recommended. Call customer service for more information.				
	DBU18049 or DBU24049	10'	II	Not recommended. Call customer service for more information.				
	DBU18049 or DBU24049	10'	III	37.5"	61.5"	24"	26"	
	DBU18049 or DBU24049	10'	IV	31.5"	61.5"	30"	30"	
	DBU18049 or DBU24049	10'	V	25.5"	61.5"	36"	40"	
	DBU24049	12'	I	Not recommended. Call customer service for more information.				
	DBU24049	12'	II	Not recommended. Call customer service for more information.				
	DBU24049	12'	III	Not recommended. Call customer service for more information.				
	DBU24049	12'	IV	Not recommended. Call customer service for more information.				
	DBU24049	12'	V	40"	76"	36"	40"	

**U-STANDARDS BASE (DBU12049):**



**DRAWING REPRESENTS THE FOLLOWING PART NUMBERS:**

DBU12049 (shown)
DBU18049
DBU18065
DBU24049
DBU24065

ITEM #	COMPONENT	DESCRIPTION	KITS - QTY.	
			DB-M	N/A
1	DBU12049	12" U Style Diving Standards		2
2	DB6WW	6' Duro-Beam White w/White Top Tread & Hdw Kit		1
3	FC	Fulcrum Cover For U-Standard Base		1
4	H-WHT WAS/CAP	I.F. White Washer/Cap	2	
5	H-SS 5 C BOLT	1/2-13 x 5 Carriage Bolt S.S.	2	
6	H-1/2 BLK WASH	1/2 x 2" Black Rubber Washer	2	
7	H-1/2 RED WASH	1/2 x 2" Red Rubber Washer	2	
8	H-SS 1/2 F WAS	1/2 USS Flat Washer S.S.	2	
9	H-SS 1/2 LOC WA	1/2 Lock Washer S.S.	2	
10	H-SS 1/2 H NUT	1/2"- 13 Hex Finish Nut S.S.	2	
11	H-1-1/2 WHT CAP	.750 x 1-1/2 White UV Nut Cap	2	

**NOTES:**

DB6WW diving board shown in exploded view for illustration purposes. Must be purchased separately. Other diving board options available.