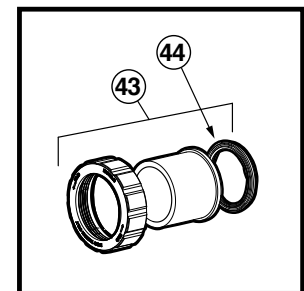
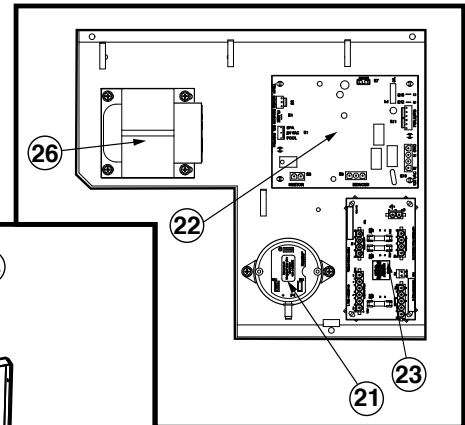
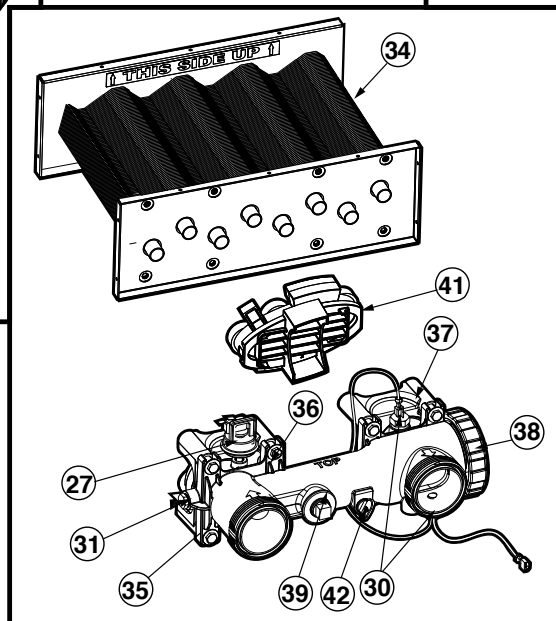
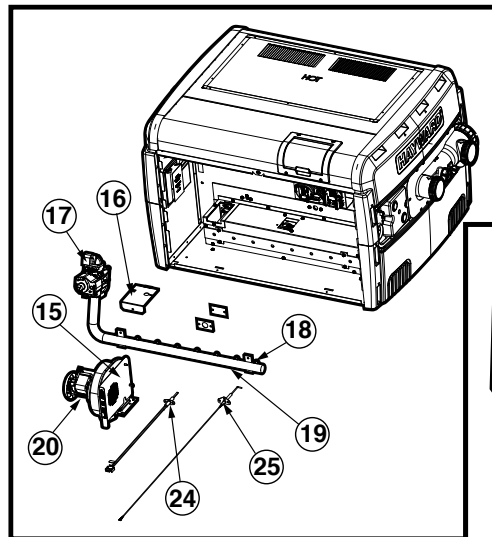
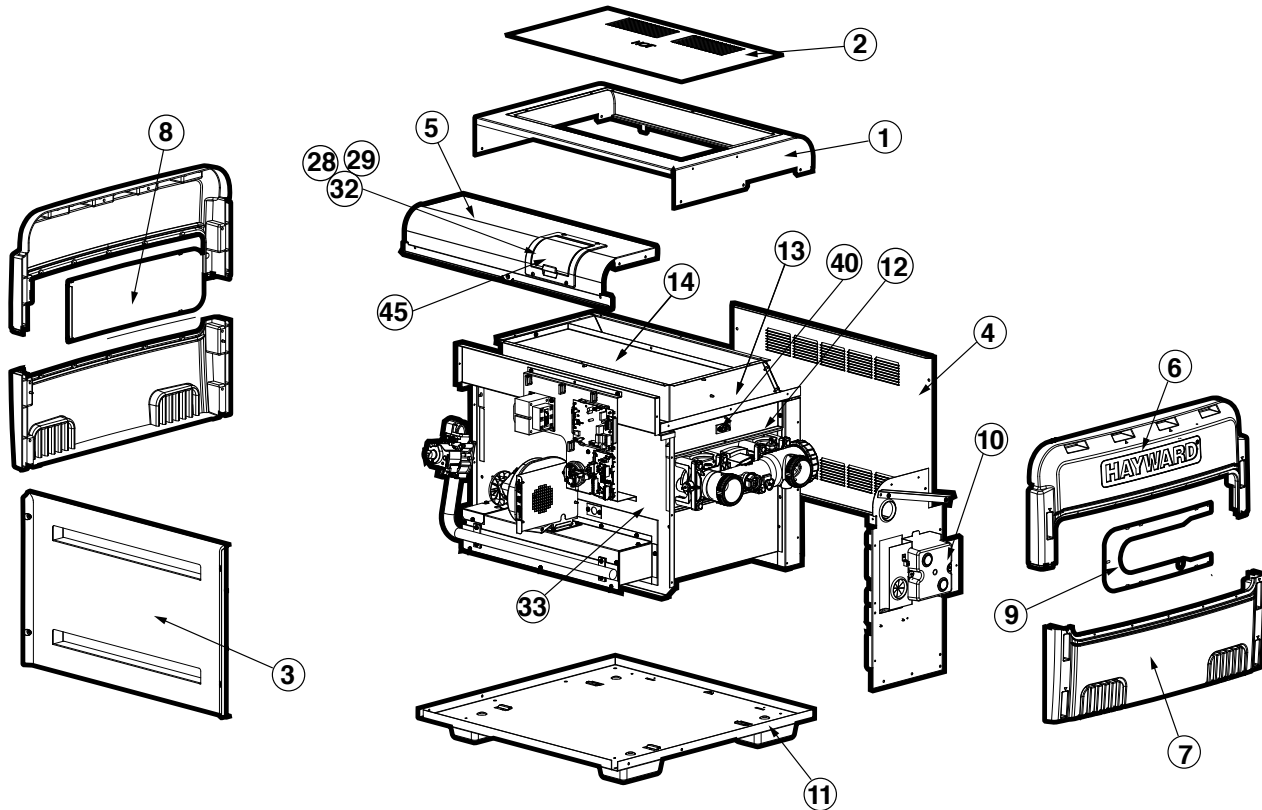


# Universal H-Series Low NOx

REPLACEMENT PARTS

Parts Diagram: H150FD, H200FD, H250FD, H300FD, H350FD, H400FD, H500FD



# Universal H-Series Low NOx

## REPLACEMENT PARTS

### Parts Listing: H150FD, H200FD, H250FD, H300FD, H350FD, H400FD, H500FD

Ref. No.	Part No.	Description	Ref. No.	Part No.	Description	Ref. No.	Part No.	Description
1	FDXLJK1150	Jacket Top and Flue Cover – H150FD	15	FDXLBBN1200	Blower Inlet Baffle – H200FD			(Qty. 10)
1	FDXLJK1200	Jacket Top and Flue Cover – H200FD	15	FDXLBBN1250	Blower Inlet Baffle – H250FD	—	FDXLFSKF15	Fuse Kit, 1.5A, for Field Wiring Panel (Qty. 10)
1	FDXLJK1250	Jacket Top and Flue Cover – H250FD1	15	FDXLBBN1300	Blower Inlet Baffle – H300FD	—	FDXLFSKF25	Fuse Kit, 2.5A, for Field Wiring Panel (Qty. 10)
1	FDXLJK1250A	Jacket Top, Gray, ASME – H250FD	15	FDXLBBN1350	Blower Inlet Baffle – H350FD	—	FDXLFSKF30	Fuse Kit, 3.0A, for Field Wiring Panel (Qty. 10)
1	FDXLJK1300	Jacket Top and Flue Cover – H300FD	15	FDXLBBN1400	Blower Inlet Baffle – H400FD	—	FDXLGSK1930	Gasket Kit – Air Side (all models)
1	FDXLJK1350	Jacket Top and Flue Cover – H350FD	15	FDXLBBN1500	Blower Inlet Baffle – H500FD			<b>includes:</b>
1	FDXLJK1400	Jacket Top and Flue Cover – H400FD	16	FDXLIAC1930	Ignitor Access Cover			Gasket, Blower Mounting
1	FDXLJK1400A	Jacket Top, Gray, ASME – H400FD	17	FDXLSV0001	Gas Valve Natural Gas – FD			Gasket, Ignitor Cover
1	FDXLJK1500	Jacket Top and Flue Cover – H500FD	17	FDXLSV0002	Gas Valve Propane Gas – FD			Gasket, Cover/Air Box Front
1	FDXLJK1500A	Jacket Top, Gray, ASME – H500FD	17	FDXLSV1500N	Gas Valve Natural Gas – H500FD Only			Gasket, Manifold/Air Box
2	FDXLTF1150	Top/Flue Cover – H150FD	17	FDXLSV1500P	Gas Valve Propane Only – H500FD Only	—	FDXLGSK1931	Gasket Kit – Exhaust Side (all models)
2	FDXLTF1200	Top/Flue Cover – H200FD	18	FDXLBON1930	Burner Orifice Kit Natural Gas – FD			<b>includes:</b>
2	FDXLTF1250	Top/Flue Cover – H250FD	18	FDXLBOP1930	Burner Orifice Kit Propane Gas – FD			Gasket, Flue Collector Side
2	FDXLTF1250A	Top Flue Cover, Gray, ASME – H250FD	18	FDXLBON1500	Burner Orifice Kit Natural Gas – H500FD Only			Gasket, Rain Guard Side
2	FDXLTF1300	Top/Flue Cover – H300FD	18	FDXLBOP1500	Burner Orifice Kit Propane Gas – H500FD Only			Gasket, Rain Guard Bottom Side
2	FDXLTF1350	Top/Flue Cover – H350FD	19	FDXLGCK1150NP	Conversion Kit, NA to LP, H150FD			Gasket, Flue Collector Top
2	FDXLTF1400	Top/Flue Cover – H400FD	19	FDXLGCK1150PN	Conversion Kit, LP to NA, H150FD			Gasket, Rain Guard Front and Rear
2	FDXLTF1400A	Top Flue Cover, Gray, ASME – H400FD	19	FDXLGCK1200NP	Conversion Kit, NA to LP, H200FD			Gasket, Rain Guard Bottom Front and Rear
2	FDXLTF1500	Top/Flue Cover – H500FD	19	FDXLGCK1200PN	Conversion Kit, LP to NA, H200FD	—	FDXLGSK1933	Insulation, Return Side Tube Sheet – FD
2	FDXLTF1500A	Top/Flue Cover, Gray, ASME – H500FD	19	FDXLGCK1250NP	Conversion Kit, NA to LP, H250FD	—	FDXLHAK1930	Conversion Kit, H150FD-H400FD High-Altitude, 2,000-10,100 ft.
3	FDXLFAD1150†	Front Access Door Assembly – H150FD	19	FDXLGCK1250PN	Conversion Kit, LP to NA, H250FD			
3	FDXLFAD1200†	Front Access Door Assembly – H200FD	19	FDXLGCK1300NP	Conversion Kit, NA to LP, H300FD	—	FDXLTDK1930	Tie-Down Kit – FD
3	FDXLFAD1250†	Front Access Door Assembly – H250FD	19	FDXLGCK1300PN	Conversion Kit, LP to NA, H300FD	—	FDXLUNK1930A	ASME Union Flange Kit (includes Flange Fittings, Bolts, Gaskets)
3	FDXLFAD1250A†	Front Door Assembly, Gray, ASME – H250FD	19	FDXLGCK1350NP	Conversion Kit, NA to LP, H350FD			
3	FDXLFAD1300†	Front Access Door Assembly – H300FD	19	FDXLGCK1350PN	Conversion Kit, LP to NA, H350FD	—	FDXLVPS1930	Vent Pressure Switch, Indoor, 0–2,000 ft
3	FDXLFAD1350†	Front Access Door Assembly – H350FD	19	FDXLGCK1400NP	Conversion Kit, NA to LP, H400FD	—	FDXLVPS1931	Vent Pressure Switch, Indoor, 2,000–10,100 ft
3	FDXLFAD1400†	Front Access Door Assembly – H400FD	19	FDXLGCK1400PN	Conversion Kit, LP to NA, H400FD	—	FDXLVSJ1930	Voltage Selector Jumpers
3	FDXLFAD1400A†	Front Door Assembly, Gray, ASME – H400FD	19	FDXLGCK1500NP	Gas Conversion Kit, NA to LP, H500FD	—	FDXLWH4000†	Wiring Harness Kit Complete – FD
3	FDXLFAD1151††	Front Access Door Assembly – H150FD	19	FDXLGCK1500PN	Gas Conversion Kit, LP to NA, H500FD	—	FDXLWH41930**	Wiring Harness Kit Complete – FD
3	FDXLFAD1201††	Front Access Door Assembly – H200FD	20	FDXLBWR1930	Combustion Blower – FD	—	IDXLTMB1931	Terminal Block – Remote Connection
3	FDXLFAD1251††	Front Access Door Assembly – H250FD	20	FDXLBWR1500	Combustion Blower – H500FD Only	—	UHXTFP1930	Water Flow Switch and Temp/Press Gauge Kit
3	FDXLFAD1251A††	Front Door Assembly, Gray, ASME – H250FD	21	FDXLBVS1930	Blower Vacuum Switch	—	UHXFSW1930	Water Flow Switch Kit
3	FDXLFAD1301††	Front Access Door Assembly – H300FD	22	FDXLCB1930	Integrated Control Board – FD	—	UHXHD6LBOW	Heatfab Stainless Vent Kit, 6" 90° Elbow
3	FDXLFAD1351††	Front Access Door Assembly – H350FD	23	FDXLFWP1930	Field Wiring Panel – FD	—	UHXHD8LBOW	Heatfab Stainless Vent Kit, 8" 90° Elbow
3	FDXLFAD1401††	Front Access Door Assembly – H400FD	24	FDXLIWN1930	Ignitor – FD	—	UHXHD6TERM	Heatfab Stainless Vent Kit, 6" Horizontal Elbow Terminal
3	FDXLFAD1401A††	Front Door Assembly, Gray, ASME – H400FD	25	IDXLF1930	Flame Sensor			
3	FDXLFAD1500	Front Access Door Assembly – H500FD	26	IDXL2TRF1930	Transformer	—	UHXHD6PIPE18	Heatfab Stainless Vent Kit, 6" Vent Pipe, 18" Long
3	FDXLFAD1500A	Front Door Assembly, Gray, ASME – H500FD	27	FDXLWPS1930	Water Pressure Switch	—	UHXHD6PIPE24	Heatfab Stainless Vent Kit, 6" Vent Pipe, 24" Long
4	FDXLRAD1150	Rear Access Door Assembly – H150FD	28	IDXL2DB1930	Display Board Only	—	UHXHD6PIPE36	Heatfab Stainless Vent Kit, 6" Vent Pipe, 36" Long
4	FDXLRAD1200	Rear Access Door Assembly – H200FD	29	FDXLBKP1930	Bezel and Keypad Assembly, Taupe	—	UHXHD8PIPE18	Heatfab Stainless Vent Kit, 8" Vent Pipe, 18" Long
4	FDXLRAD1250	Rear Access Door Assembly – H250FD	29	FDXLBKP1932	Bezel and Keypad Assembly, Blue (with Door)	—	UHXHD8PIPE24	Heatfab Stainless Vent Kit, 8" Vent Pipe, 24" Long
4	FDXLRAD1300	Rear Access Door Assembly – H300FD	30	FDXLLH1930	High Limit Kit	—	UHXHD8PIPE36	Heatfab Stainless Vent Kit, 8" Vent Pipe, 36" Long
4	FDXLRAD1350	Rear Access Door Assembly – H350FD	31	FDXLTERR1930	Thermistor	—	UHXHD6TERM	Heatfab Stainless Vent Kit, 6" Horizontal Straight Terminal
4	FDXLRAD1400	Rear Access Door Assembly – H400FD	32	FDXLGSK1932	Gasket, Bezel/Top – FD	—	UHXHD8TERM	Heatfab Stainless Vent Kit, 8" Horizontal Straight Terminal
4	FDXLRAD1500	Rear Access Door Assembly – H500FD	33	FDXLGSK1934	Gasket, CC Front/Air Box – FD All Models	—		
5	FDXLTFP1151†††	Top and Front Panel – H150FD	34	FDXLHXA1150	Heat Exchanger Assembly – H150FD	—	UHXLOK1930	Control Bezel Lock-Out Kit (old)
5	FDXLTFP1201†††	Top and Front Panel – H200FD	34	FDXLHXA1200	Heat Exchanger Assembly – H200FD	—	UHXLOK1931	Control Bezel Lock-Out Kit (New)
5	FDXLTFP1251†††	Top and Front Panel – H250FD	34	FDXLHXA1250	Heat Exchanger Assembly – H250FD	—	UHXNEGV11501	Indoor Vent Adapter Kit, H150FD, Negative-Pressure (Vertical)
5	FDXLTFP1301†††	Top and Front Panel – H300FD	34	FDXLHXA1250A	Heat Exchanger Assembly, ASME – H250FD	—	UHXNEGV12001	Indoor Vent Adapter Kit, H200FD, Negative-Pressure (Vertical)
5	FDXLTFP1351†††	Top and Front Panel – H350FD	34	FDXLHXA1300	Heat Exchanger Assembly – H300FD	—	UHXNEGV12501	Indoor Vent Adapter Kit, H250FD, Negative-Pressure (Vertical)
5	FDXLTFP1500	Top and Front Panel – H500FD	34	FDXLHXA1350	Heat Exchanger Assembly – H350FD	—	UHXNEGV13001	Indoor Vent Adapter Kit, H300FD, Negative-Pressure (Vertical)
5	FDXLTFP1500A	Top Front Panel, Gray, ASME – H500FD	34	FDXLHXA1400	Heat Exchanger Assembly – H400FD	—	UHXNEGV13501	Indoor Vent Adapter Kit, H350FD, Negative-Pressure (Vertical)
6	FDXLUCC1930	Upper End Cap – FD	34	FDXLHXA1400A	Heat Exchanger Assembly, ASME – H400FD	—	UHXNEGV14001	Indoor Vent Adapter Kit, H400FD, Negative-Pressure (Vertical)
7	FDXLLCC1930	Lower End Cap – FD	34	FDXLHXA1500	Heat Exchanger Assembly – H500FD	—	UHXNEGV15001	Indoor Vent Adapter Kit, H500FD, Negative-Pressure (Vertical)
8	FDXLLTP1930	Left Trim Panel Kit	34	FDXLHXA1500A	Heat Exchanger Assembly, ASME – H500FD	—	UHXNEGV15002	Indoor Vent Adapter Kit, H500FD, Positive-Pressure (Horizontal)
9	FDXLRTP1930	Right Trim Panel Kit	35	FDXLHFA1930	Header Assembly	—	UHXPOSHZ11501	Indoor Vent Adapter Kit, H150FD, Positive-Pressure (Horizontal)
10	FDXLLCB1930*	Left Connection Box – FD	36	FDXLHFW1930	Header Hardware Kit	—	UHXPOSHZ12001	Indoor Vent Adapter Kit, H200FD, Positive-Pressure (Horizontal)
10	FDXLRFB1930*	Right Connection Box – FD	37	FDXLHMB1930	Header Mounting Base Kit	—	UHXPOSHZ12501	Indoor Vent Adapter Kit, H250FD, Positive-Pressure (Horizontal)
10	FDXLLJC1930†††	Junction Box Cover, Left	38	FDXLBPK1930	Bypass Cartridge Kit	—	UHXPOSHZ13001	Indoor Vent Adapter Kit, H300FD, Positive-Pressure (Horizontal)
10	FDXLRJC1930†††	Junction Box Cover, Right	39	CHXPLG1930	3/4" NPT Brass Plug and Plastic	—	UHXPOSHZ13501	Indoor Vent Adapter Kit, H350FD, Positive-Pressure (Horizontal)
10	FDXLPLC1930***	Polymer Junction Box Cover, Left and Right	40	FDXLEGL1930	Exhaust Gas Temp Limit	—	UHXPOSHZ14001	Indoor Vent Adapter Kit, H400FD, Positive-Pressure (Horizontal)
11	FDXLPBL1930	Base Leg – FD (4)	41	FDXLPRM1930	Return Manifold Replacement Kit	—	UHXPOSHZ1402	Indoor Vent Adapter Kit, H400FD 6"
12	FDXLFC1931	Flue Collector Side Panel with High Limit	42	SPX4000FG	Drain Plug with Gasket	—		
13	FDXLRGK1151	Rain Guard Assembly – H150FD	43	SPX3200UNKIT	Union Kit	—		
13	FDXLRGK1201	Rain Guard Assembly – H200FD	44	SPX3200UG	Union Gasket (Pack of 2)	—		
13	FDXLRGK1251	Rain Guard Assembly – H250FD	45	FDXLPKC1930	Kit Keypad Cover	—		
13	FDXLRGK1301	Rain Guard Assembly – H300FD	—	FDXLBKP1150	Kit-Bezel Control Panel 150 (old to new)	—		
13	FDXLRGK1351	Rain Guard Assembly – H350FD	—	FDXLBKP1200	Kit-Bezel Control Panel 200 (old to new)	—		
13	FDXLRGK1401	Rain Guard Assembly – H400FD	—	FDXLBKP1250	Kit-Bezel Control Panel 250 (old to new)	—		
13	FDXLRGK1500	Rain Guard Assembly – H500FD	—	FDXLBKP1300	Kit-Bezel Control Panel 300 (old to new)	—		
14	FDXLHBP1150	Heat Barrier Panel – H150FD	—	FDXLBKP1350	Kit-Bezel Control Panel 350 (old to new)	—		
14	FDXLHBP1200	Heat Barrier Panel – H200FD	—	FDXLBKP1400	Kit-Bezel Control Panel 400 (old to new)	—		
14	FDXLHBP1250	Heat Barrier Panel – H250FD	—	FDXLBKP1500	Kit-Bezel Control Panel 500 (old to new)	—		
14	FDXLHBP1300	Heat Barrier Panel – H300FD	—		<b>NOT SHOWN:</b>	—		
14	FDXLHBP1350	Heat Barrier Panel – H350FD	—	FDXLBKN1930	Burner	—		
14	FDXLHBP1400	Heat Barrier Panel – H400FD	—	FDXLDVR1930A	Drain Valve, ASME	—		
14	FDXLHBP1500	Heat Barrier Panel – H500FD	—	FDXLFSK1930	Fuse Service Kit – FD	—		
15	FDXLBBN1150	Blower Inlet Baffle – H150FD	—	FDXLFSKC30	Fuse Kit, 3.0A, for Integrated Control Board	—		

NOTES: \*Used only on Heaters made before 9/9/08, serial #21130809100177001 \*\*Used only on Heaters made after 9/9/08, serial #21130809100177001

\*\*\*Used only on models after 10/14, serial #21131410102839001 †Used only on heaters made before 7/13, serial #21131307100333001. ††Used only on heaters made after 7/13, serial #21131307100333001

†††Used only on heaters made before 10/14. †††Used only on heaters made before 11/20/14, serial #21131411103613001. †††Used only on heaters made after 11/20/14, serial #21131411103613001.