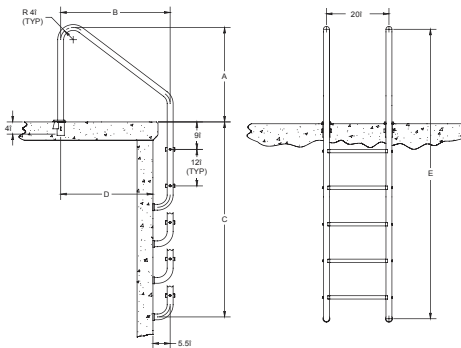


Standard Plus and Crossbrace Plus with Plastic Treads



- Tubing: 1.90" OD
- Wall Thickness: .065", .109", or .145"
- Type: 304 stainless steel
- Bends: 4" radius
- Plastic, LTDF-106 tread
- Anchors and escutcheons sold separately

Item No.	Description	Shipping Wt.	L	W	H
10001 to 10003	23" 2-Step Ladder with .065", .109", .145 tubing	30 lbs., 42, 54	61"	29"	2"
10004 to 10006	23" 3-Step Ladder with .065", .109", .145 tubing	36 lbs., 50, 62	70"	28"	2"
10007 to 10009	23" 4-Step Ladder with .065", .109", .145 tubing	40 lbs., 58, 70	82"	28"	2"
10010 to 10012	23" 5-Step Ladder with .065", .109", .145 tubing	46 lbs., 64, 78	90"	28"	2"
10013 to 10015	29" 2-Step Ladder with .065", .109", .145 tubing	30 lbs., 44, 56	59"	39"	2"
10016 to 10018	29" 3-Step Ladder with .065", .109", .145 tubing	36 lbs., 52, 64	85"	39"	2"
10019 to 10021	29" 4-Step Ladder with .065", .109", .145 tubing	42 lbs., 58, 72	85"	39"	2"
10022 to 10024	29" 5-Step Ladder with .065", .109", .145 tubing	48 lbs., 66, 80	85"	39"	2"
10025 to 10027	35" 2-Step Ladder with .065", .109", .145 tubing	34 lbs., 48, 62	59"	39"	2"
10028 to 10030	35" 3-Step Ladder with .065", .109", .145 tubing	38 lbs., 56, 70	76"	40"	2"
10031 to 10033	35" 4-Step Ladder with .065", .109", .145 tubing	44 lbs., 64, 78	76"	40"	2"
10034 to 10036	35" 5-Step Ladder with .065", .109", .145 tubing	50 lbs., 70, 86	76"	40"	2"



MODEL NUMBER	A	B	C	D	(E)
10001 TO 10003	26.00	23.00	28.00	17.50	54.00
10004 TO 10006	26.00	23.00	40.00	17.50	66.00
10007 TO 10009	26.00	23.00	52.00	17.50	78.00
10010 TO 10012	26.00	23.00	64.00	17.50	90.00
10013 TO 10015	26.00	29.00	28.00	23.50	54.00
10016 TO 10018	26.00	29.00	40.00	23.50	66.00
10019 TO 10021	26.00	29.00	52.00	23.50	78.00
10022 TO 10024	26.00	29.00	64.00	23.50	90.00
10025 TO 10027	31.00	35.00	28.00	29.50	59.00
10028 TO 10030	31.00	35.00	40.00	29.50	71.00
10031 TO 10033	31.00	35.00	52.00	29.50	83.00
10034 TO 10036	31.00	35.00	64.00	29.50	95.00

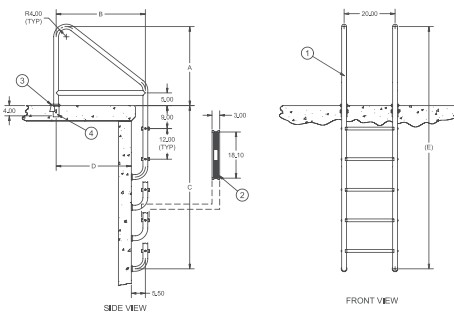
Item No.	Description	Shipping Wt.	L	W	H
10073 to 10075	23" 2-Step Cross Brace Ladder w/.065", .109, .145 tubing	36 lbs., 50, 66	61"	29"	2"
10076 to 10078	23" 3-Step Cross Brace Ladder w/.065", .109, .145 tubing	42 lbs., 58, 74	70"	28"	2"
10079 to 10081	23" 4-Step Cross Brace Ladder w/.065", .109, .145 tubing	46 lbs., 66, 82	82"	28"	2"
10082 to 10084	23" 5-Step Cross Brace Ladder w/.065", .109, .145 tubing	52 lbs., 72, 90	90"	28"	2"
10085 to 10087	29" 2-Step Cross Brace Ladder w/.065", .109, .145 tubing	38 lbs., 56, 70	59"	39"	2"
10088 to 10090	29" 3-Step Cross Brace Ladder w/.065", .109, .145 tubing	44 lbs., 64, 78	85"	39"	2"
10091 to 10093	29" 4-Step Cross Brace Ladder w/.065", .109, .145 tubing	50 lbs., 70, 86	85"	39"	2"
10094 to 10096	29" 5-Step Cross Brace Ladder w/.065", .109, .145 tubing	56 lbs., 78, 94	85"	39"	2"
10097 to 10099	35" 2-Step Cross Brace Ladder w/.065", .109, .145 tubing	42 lbs., 62, 78	59"	39"	2"
10100 to 10102	35" 3-Step Cross Brace Ladder w/.065", .109, .145 tubing	46 lbs., 70, 86	76"	40"	2"
10103 to 10105	35" 4-Step Cross Brace Ladder w/.065", .109, .145 tubing	52 lbs., 78, 94	76"	40"	2"
10106 to 10108	35" 5-Step Cross Brace Ladder w/.065", .109, .145 tubing	58 lbs., 84, 102	76"	40"	2"

Note: Frames extend 4 1/2" from the pool wall. Frame is secured to the pool deck with two anchor sockets on 20" centers. Lower end of frame is bent to meet pool wall and fitted with two white rubber bumpers.

Standard Plus and Crossbrace Plus with Stainless Steel Treads



- Tubing: 1.90" OD or 1.50" OD
- Wall Thickness: .065", .109", or .145"
- Type: 304 stainless steel
- Bends: 4" radius
- Stainless steel, LTDF-103 tread
- Anchors and escutcheons sold separately



Item No.	Description	Shipping Wt.	L	W	H
10037 to 10039	23" 2-Step Ladder with .065", .109", .145 tubing	30 lbs., 42, 54	61"	29"	2"
10040 to 10042	23" 3-Step Ladder with .065", .109", .145 tubing	36 lbs., 50, 62	70"	28"	2"
10043 to 10045	23" 4-Step Ladder with .065", .109", .145 tubing	40 lbs., 58, 70	82"	28"	2"
10046 to 10048	23" 5-Step Ladder with .065", .109", .145 tubing	46 lbs., 64, 78	90"	28"	2"
10049 to 10051	29" 2-Step Ladder with .065", .109", .145 tubing	30 lbs., 44, 56	59"	39"	2"
10052 to 10054	29" 3-Step Ladder with .065", .109", .145 tubing	36 lbs., 52, 64	85"	39"	2"
10055 to 10057	29" 4-Step Ladder with .065", .109", .145 tubing	42 lbs., 58, 72	85"	39"	2"
10058 to 10060	29" 5-Step Ladder with .065", .109", .145 tubing	48 lbs., 66, 80	85"	39"	2"
10061 to 10063	35" 2-Step Ladder with .065", .109", .145 tubing	34 lbs., 48, 62	59"	39"	2"
10064 to 10066	35" 3-Step Ladder with .065", .109", .145 tubing	38 lbs., 56, 70	76"	40"	2"
10067 to 10069	35" 4-Step Ladder with .065", .109", .145 tubing	44 lbs., 64, 78	76"	40"	2"
10070 to 10072	35" 5-Step Ladder with .065", .109", .145 tubing	50 lbs., 70, 86	76"	40"	2"

MODEL NUMBER	A	B	C	D	(E)
10037 TO 10039	26.00	23.00	28.00	17.50	54.00
10040 TO 10042	26.00	23.00	40.00	17.50	66.00
10043 TO 10045	26.00	23.00	52.00	17.50	78.00
10046 TO 10048	26.00	23.00	64.00	17.50	90.00
10049 TO 10051	26.00	29.00	28.00	23.50	54.00
10052 TO 10054	26.00	29.00	40.00	23.50	66.00
10055 TO 10057	26.00	29.00	52.00	23.50	78.00
10058 TO 10060	26.00	29.00	64.00	23.50	90.00
10061 TO 10063	31.00	35.00	28.00	29.50	59.00
10064 TO 10066	31.00	35.00	40.00	29.50	71.00
10067 TO 10069	31.00	35.00	52.00	29.50	83.00
10070 TO 10072	31.00	35.00	64.00	29.50	95.00

Item No.	Description	Shipping Wt.	L	W	H
10109 to 10111	23" 2-Step Cross Brace Ladder w/.065", .109, .145 tubing	36 lbs., 50, 66	61"	29"	2"
10112 to 10114	23" 3-Step Cross Brace Ladder w/.065", .109, .145 tubing	42 lbs., 58, 74	70"	28"	2"
10115 to 10117	23" 4-Step Cross Brace Ladder w/.065", .109, .145 tubing	46 lbs., 66, 82	82"	28"	2"
10118 to 10120	23" 5-Step Cross Brace Ladder w/.065", .109, .145 tubing	52 lbs., 72, 90	90"	28"	2"
10121 to 10123	29" 2-Step Cross Brace Ladder w/.065", .109, .145 tubing	38 lbs., 56, 70	59"	39"	2"
10124 to 10126	29" 3-Step Cross Brace Ladder w/.065", .109, .145 tubing	44 lbs., 64, 78	85"	39"	2"
10127 to 10129	29" 4-Step Cross Brace Ladder w/.065", .109, .145 tubing	50 lbs., 70, 86	85"	39"	2"
10130 to 10132	29" 5-Step Cross Brace Ladder w/.065", .109, .145 tubing	56 lbs., 78, 94	85"	39"	2"
10133 to 10135	35" 2-Step Cross Brace Ladder w/.065", .109, .145 tubing	42 lbs., 62, 78	59"	39"	2"
10136 to 10138	35" 3-Step Cross Brace Ladder w/.065", .109, .145 tubing	46 lbs., 70, 86	76"	40"	2"
10139 to 10141	35" 4-Step Cross Brace Ladder w/.065", .109, .145 tubing	52 lbs., 78, 94	76"	40"	2"
10142 to 10144	35" 5-Step Cross Brace Ladder w/.065", .109, .145 tubing	58 lbs., 84, 102	76"	40"	2"

Note: Frames extend 4 1/2" from the pool wall. Frame is secured to the pool deck with two anchor sockets on 20" centers. Lower end of frame is bent to meet pool wall and fitted with two white rubber bumpers