

**SR Smith™**

multiLIFT™

# multiLIFT™



# multiLIFT

multiLIFT™ is an adaptive pool lift platform that gives customers the flexibility to have either a Fixed or Removable lift in a single integrated design.

- 3rd Party Verified ADA Compliant
- Flange Mounting
- Right Seat Mounting (Facing Pool), Field Convertible to Left
- LiftOperator™ Intelligent Control System
- Wheel-A-Way Mobility Option

MODEL NO.	DESCRIPTION
575-0000	multiLIFT with 2 button Control System Assembly with Rechargeable Battery Pack
575-1000	multiLIFT with 2 button Control System w/Activation Key and Rechargeable Battery Pack



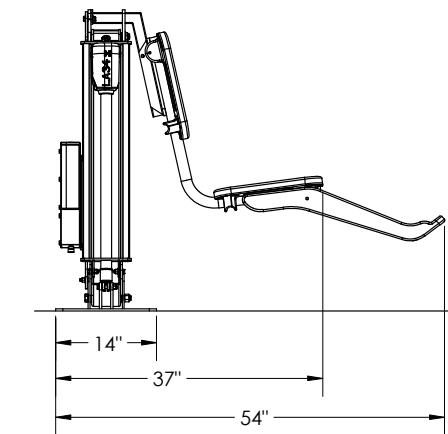
## LiftOperator™ Intelligent Control System

- Emergency Stop Switch
- Hand Control Activated Audible Safety Alert
- Activation Key to Prevent Unauthorized Use (Option)
- Downloadable Performance Log
- 3 Battery Charge Status LEDs
- Energy Efficient (20 times more efficient than common controls)
- Full Set of Operational Controls on Touch Pad
- Patent Pending

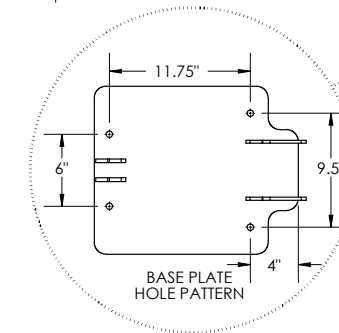
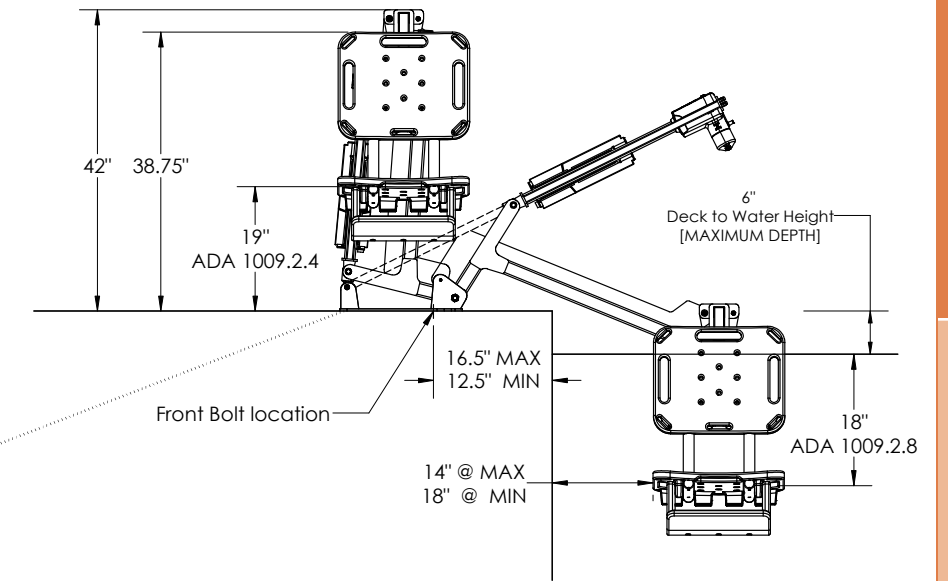
## Activation Key (Option)



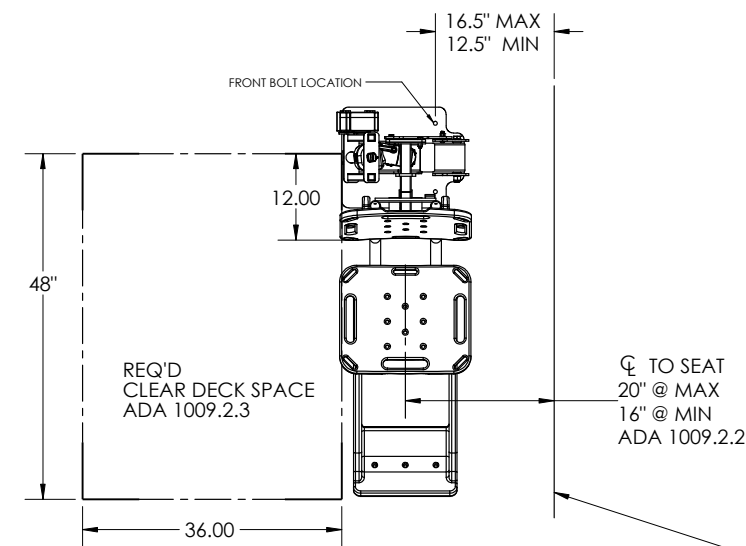
Right View



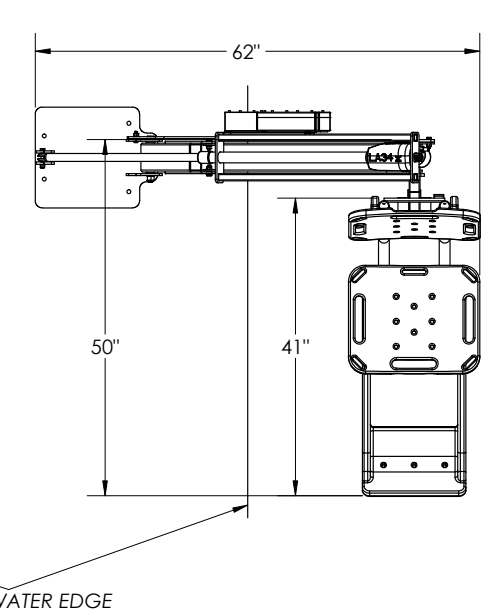
Front View



Top View (Retracted)



Top View (Extended)



## multiLIFT™ WRITTEN SPECIFICATIONS

Lift Model Shall Be: S.R.Smith, LLC multiLIFT™, # C20-0000.

It shall be battery powered, comply with Americans With Disabilities Act Access Guidelines (ADAAG), and have a lifting capacity of 350 pounds. The multiLIFT is capable of controlled linear actuation into the pool providing steady speed, support and clearance to the user. Symmetrical design in the multiLIFT allows customers to install with a right or left facing chair to accommodate multiple pool geometries. Product shall include battery, charger, battery console cover, waterproof control, a footrest and seatbelt assembly.

- a. Manufacturer to provide technical support and assistance to confirm pool lift satisfies pool geometry or if another model is more appropriate.
- b. Have a LiftOperator™ Intelligent Control System with the following capabilities:
  - i. Emergency stop button.
  - ii. Emergency audible alert system capable of activation via both handheld and system control.
  - iii. Service required LED with USB port.
  - iv. Full set of operation controls on the touch pad.
  - v. IP65 rated, constructed of high impact UV plastics with conformal coded circuitry.
- c. Have a LINAK (approved for medical applications) screw/spline type actuator to provide a safe and stable stop at any point in the lifting cycle, capable of:
  - i. 18.5 inches measured from the deck to the top of the seat surface when the seat is in the raised position.
  - ii. Submerging the seat a minimum of 18 inches below the surface of the water, at a deck to water level of 6 inches maximum.
- d. Configured to facilitate ease in user transfer within clear deck space of 36 inches wide by 48 inches deep starting 12 inches from the back end of the seat (Ref. ADAAG).
- e. Seat:
  - i. Width of 18.5 inches (ADAAG Requires 16 inches).
  - ii. Back that extends 24 inches high (ADAAG Requires 12 inches).
  - iii. Ships in right seat mounting configuration (facing pool), field convertible to left.
- f. Be structurally capable of providing a stable user transfer and pass a static load test equal to 1.5 times the rated load capacity.
- g. Metallic parts (stainless steel and aluminum) to be passivated, pretreated and powder coated using a 5-step process. The process is to be validated by samples undergoing a 4,000 hour Salt Fog Test (ASTM D1654), by a recognized independent laboratory, and achieve a rating of 10 (highest possible rating). (Note: The test is the equivalent of 10 years exposure to this harsh environment.)
- h. Have a Manufacturer's Warranty:
  - i. Frame—3 Years (except powder coated finish)
  - ii. Electronic Components—2 Years (except battery)
  - iii. Batteries—1 Year, Pro-rated (90 days: 100%, 91 to 365 days: 50%)
  - iv. Have independent, third party verified ADA compliance.
  - v. Meet or exceed CE requirements (10535).
- i. Have the following optional equipment:

PART #	DESCRIPTION
900-2000	Stability Vest
500-5100	multiLift™ Cover
170-1000	Arm Rest Assembly
1001545	Two Button Control with Activation Key
500-5500	Wheel-A-Way Option



S.R. Smith, LLC  
P.O. Box 400, 1017 SW Berg Parkway  
Canby, Oregon 97013

P 503.266.2231 TF 800.824.4387 F 503.266.4334  
www.srsmith.com www.poollifts.com

Copyright © 2011 S.R. Smith. All rights reserved. M-E-BRO-886 1011