

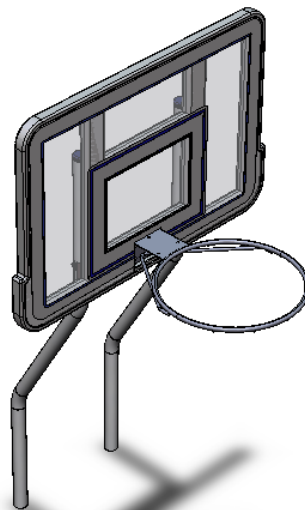
**SALT POOL COMPETITION GRADE
BASKETBALL GAME**



And

**STANDARD COMPETITION GRADE
BASKETBALL GAME**

**ASSEMBLY AND INSTALLATION
INSTRUCTIONS**



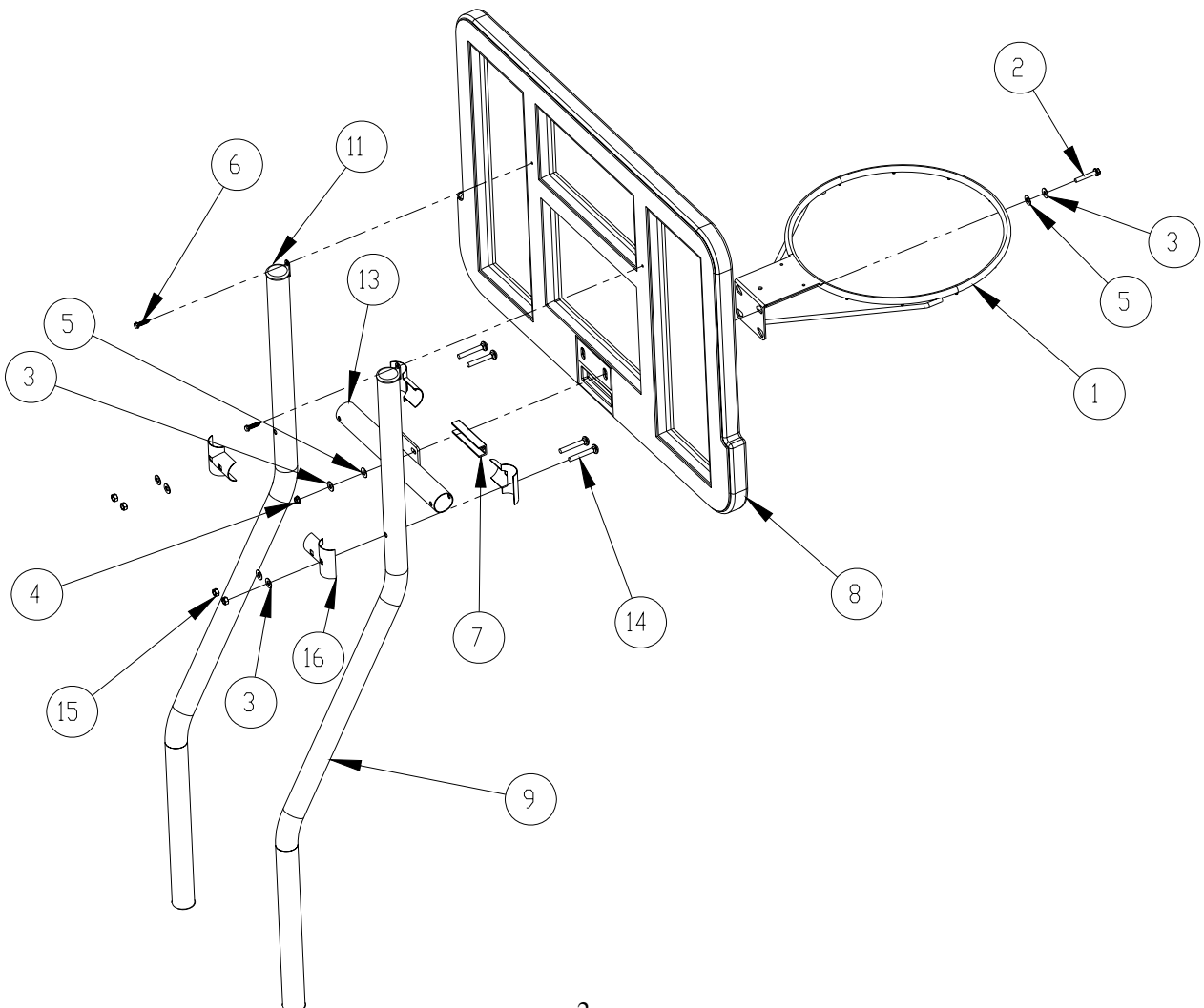
**CORPORATE HEADQUARTERS
WESTERN SALES AND MANUFACTURING PLANT
P.O. Box 400 • 1017 SW Berg Parkway
Canby, Oregon 97013
(503) 266-2231 • (503) 266-4334
www.srsmith.com**

INTRODUCTION

The Salt Pool Competition Grade Basketball Game is designed for use on in-ground pools in shallow water depth areas. Proper and complete assembly, use and supervision are essential for proper operation, and to reduce the risk of accident or injury.

****IMPORTANT****

Check entire boxes and inside all packing materials for parts. Before beginning assembly, read the instructions and identify parts using the figures and parts listed in this document. It is critical that all parts be carefully inspected by the installer prior to installation to ensure that no damage occurred in transit and that a damaged part is not used. Proper installation cannot be overstressed, as an improper installation voids S.R. Smith's warranty and may affect the safety of the user.



ITEM #	PART #	DESCRIPTION	QTY.
1	S-R-44-VC or S-R-44-PC	SALT RIM, VINYL DIPPED RIM, POWDER COATED	1 ea.
2	5-656	5/16"-18 x 2" HH FLANGED BOLT S/S	4 ea.
3	5-145	.38" FLAT WASHER, STAINLESS STEEL	12 ea.
4	5-658	5/16"-18 FLANGED LOCK NUTS S/S	4 ea.
5	05-32-111	3/8 NYLON PROTECTIVE WASHER	4 ea.
6	5-659	PLASTICS SCRW .25" x 1", FLANGED, S/S	2 ea.
7	5-660	INSERT SUPPORT, 4.25" LGTH	1 ea.
8	BASK-B	44" SALT POOL BACKBOARD, HDPE FRAME W/ ACRYLIC	1 ea.
9	20-110-VB or 20-110-C	VINYL COAT, BLACK TEXTURED, POST ASSY BASKETBALL POST ASSY, POLISHED STAINLESS STEEL	2 ea.
10	SPG-102	BASKETBALL BALL	1 ea.
11	8-104	PLASTIC RAIL END PLUG *(FACTORY INSTALLED)*	2 ea.
12	SPG-103	BASKETBALL NEEDLE	1 ea.
13	20-104 or 20-104-VB	BASKETBALL POST CROSS BRACE, POLISHED STAINLESS CROSS BRACE, BLACK TEXTURED VINYL COAT	1 ea.
14	5-661	F-BLT 3/8 "-16 x 3" S/S CARR	4 ea.
15	5-139	3/8-16 HEX NUT S/S	4 ea.
16	2019060-VB or 2019061	SPLIT TEE HALF. SS VINYL BLACK TXTRD SPLIT TEE HALF. SS E.P.	4 ea.
17	SPG-105	BASKETBALL NET, COMPETITION GRADE	1 ea.

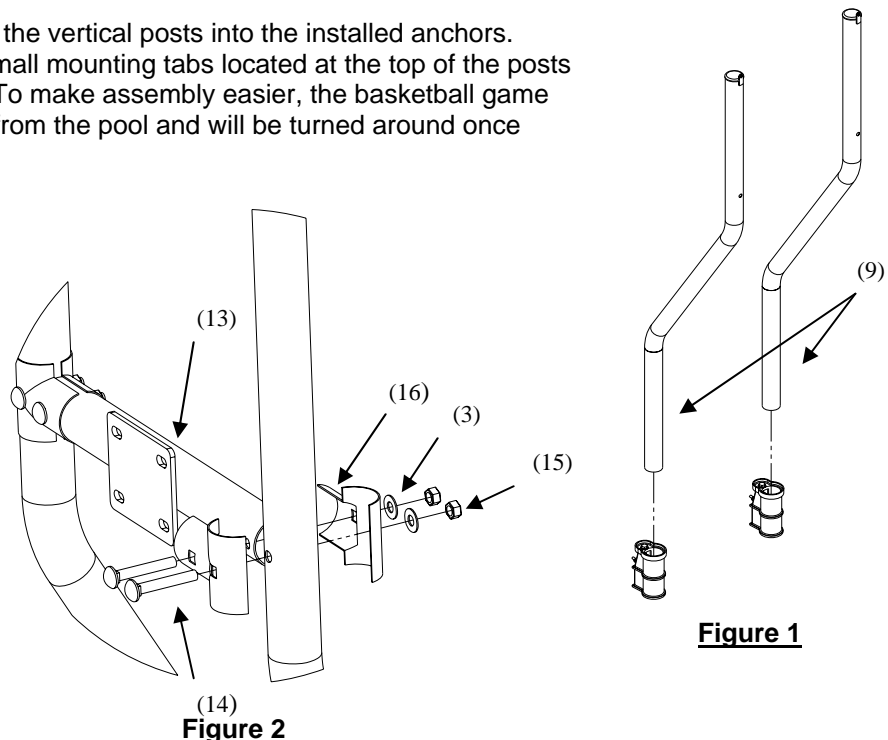
SALT POOL AND COMPETITION GRADE BASKETBALL GAME

NOTE: Two in-deck plastic anchors (AS-100P) for concrete decks are required to install the game.

ASSEMBLY INSTRUCTIONS

1. Begin assembly by inserting the vertical posts into the installed anchors. Position the posts so that the small mounting tabs located at the top of the posts are facing away from the pool. To make assembly easier, the basketball game will be assembled facing away from the pool and will be turned around once assembly is complete. **Fig.1**

2. Assemble the cross-brace (13) to the posts (9) with the split tees (17) as shown. Do not fully tighten any of the hardware until all parts are assembled. Make sure the heads of the carriage bolts are on the same side as the backboard, otherwise interference will occur. A 9/16" wrench is needed for this step. **Fig. 2**



3. Hold the backboard up against the post assembly and align the mounting holes in the plastic backboard frame with the small tabs extending from the top of the vertical posts (9). Next, carefully thread both plastic screws (6) into the backboard through the tabs extending out the top of the posts. Do not fully tighten; leave hardware loose until all components have been assembled. A 3/8" wrench will be needed for this step.

Fig. 3

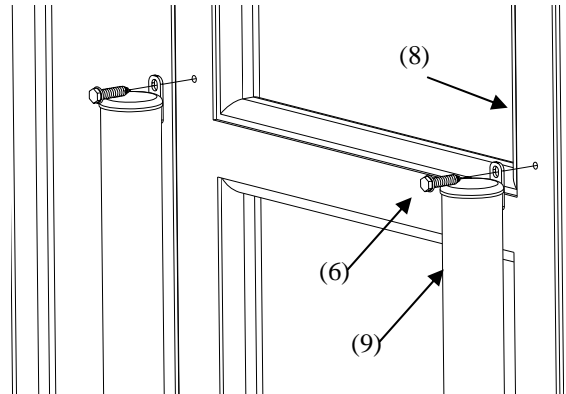


Figure 3

4. Place the insert support (7) between the cross-brace mounting plate (13) and the recess on the back side of the backboard. Be sure to position the insert support in the orientation shown in **Fig. 4** with the holes of the insert support facing the backboard. Position the rim as shown in **Fig. 4** and insert the 5/16" Flange Hex Bolts (2) with Nylon Washers (5) and Flat Washers (3) through the base of the rim. Secure using the Nylon Washers (5), Flat Washers (3) and 5/16" lock nuts (4). Do not fully tighten the hardware at this point. A 1/2" wrench will be needed for this step.

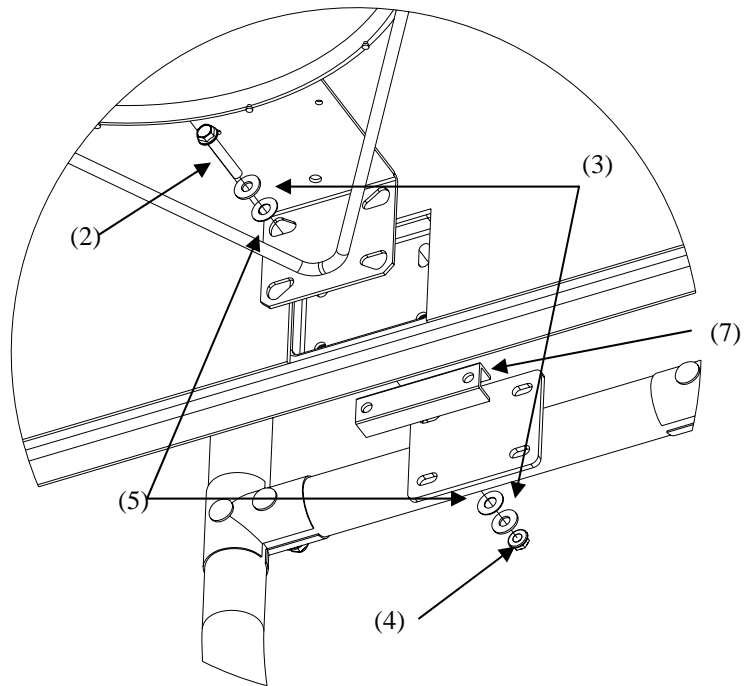


Figure 4

5. Lastly tighten all hardware in the following order:

- i. Tighten the split tees' 3/8" bolts to about 35 ft-lbs.
- ii. Tighten the rim's 5/16" bolts till the rim is secured, excessive pressure will damage the backboard.
- iii. Tighten the backboard's 1/4" screws to only close the gap. Over tightening will strip the hole and ruin the backboard. Use a wrench to tighten and close the gap so that the backboard is held securely against the vertical posts.

7. Basketball units are to be anchored to the deck using 6 inch deep AS-100P anchor sockets. Install the anchors in the pool deck 17-1/2 inches apart on center and 12 inches back from the pool's edge, shown in **FIGURE 5**. Properly bond the anchor sockets using the attached bonding screw and the appropriate bond wire per local codes. Allow concrete to cure before installing the Basketball unit.

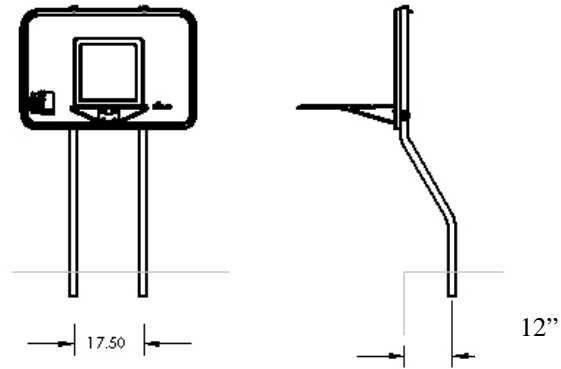


Figure 5

NOTE: Each anchor socket has a removable cap, which needs to be removed before inserting the assembly. The cap can be removed by inserting a small flat blade screwdriver into the groove between the anchor socket and the cap and prying up. When removing the basketball assembly from the anchors make sure to place the caps in the anchors.

SAFETY INSTRUCTIONS

- This equipment is intended for use in shallow water depth areas.
- During play, do not wear jewelry (rings, watches, necklaces, etc.) Objects may entangle in net.
- Do not dive or jump from any part of unit, including backboard support braces or rim.
- Periodically inspect the rim, backboard and posts to assure there are no worn parts and that all hardware is properly tightened.