

TABLE OF CONTENTS

Section 1	Residential Heaters	2
Section 2	Commercial Heaters	15
Section 3	Residential Illustrated Parts List . . .	60
Section 4	Commercial Illustrated Parts List . .	157
Section 5	Parts Pricing (Numerical)	230
Section 6	Appendix	266

RESIDENTIAL HEATERS

SECTION 1

Digital 206A-406A	3
Digital Cupro-Nickel 206A-406A	4
Digital Low NOx 207A-407A	5
Digital Low NOx Cupro-Nickel 207A-407A	6
Millivolt 206A-406A	7
Versa 055	8
Versa 130	9
Spa-Pak 552,1102	10
Heat Pump 5350ti-8350ti	11
Residential Heater Options	14

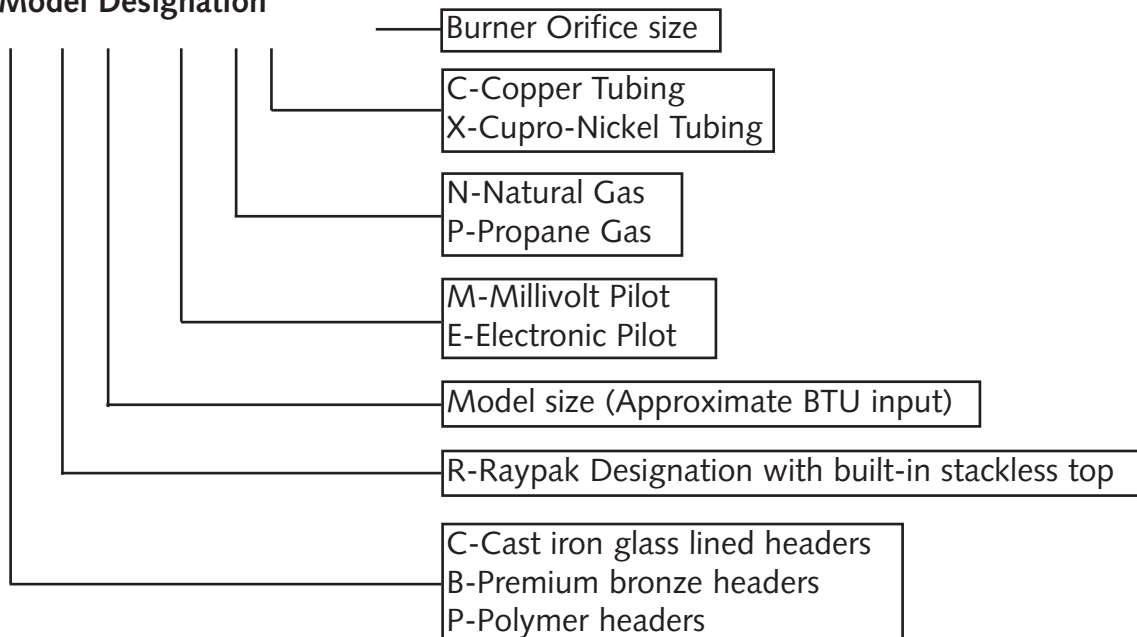
Tops

Heater prices do not include tops unless noted otherwise. For indoor installation, an indoor top must be ordered separately.

Ordering Information

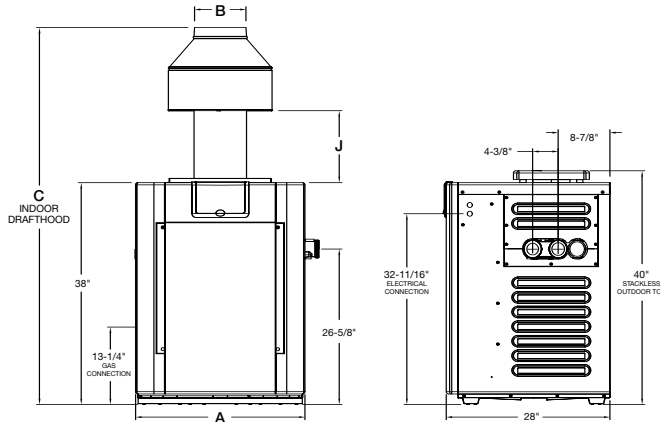
When ordering, specify part number, model number, altitude, and options.

Example: 1 Each Part Number 009271 C-R406-EN 2000' Elevation
 1 Each Part Number 009841 406 Drafthood

Model Designation

DIGITAL

- LCD digital display provides accurate temperature
- Monitors operational status as well as service diagnostics
- High-wind resistance
- Corrosion-resistant headers
- Unitherm governor prevents condensation
- PVC plumbing directly to the heater
- Small footprint
- Can be installed on combustible surface



Heater Model	BTUH Input (000)	(A) Cabinet Width	(B) Flue Diameter	(C) Indoor Draft Hood	(J) Minimum	Gas Conn.	Water Conn.	Shipping Weights (lbs)	
								w/ Polymer Headers and Stackless Top	Indoor Draft Hood
R206A	199.5	20"	6"	61-5/8"	11-7/8"	3/4"	2"	187	14
R266A	266.0	23"	7"	62"	11"	3/4"	2"	210	16
R336A	332.5	26"	8"	63"	10-5/8"	3/4"	2"	230	19
R406A	399.0	29"	9"	64-1/2"	12-5/16"	3/4"	2"	249	21

MODEL	GAS	ELEVATION (feet)	PART NUMBER	SHIPPING WEIGHT (LBS)	LIST PRICE
P-R206A-EN-C #50	Natural	0-2000	009216	187	\$2,690
P-R206A-EN-C #51	Natural	2000-6000	009220	187	\$2,690
P-R206A-EN-C #52	Natural	6000-9000	009846	187	\$2,690
P-R266A-EN-C #50	Natural	0-2000	009217	210	\$2,957
P-R266A-EN-C #51	Natural	2000-6000	009221	210	\$2,957
P-R266A-EN-C #52	Natural	6000-9000	009847	210	\$2,957
P-R336A-EN-C #50	Natural	0-2000	009218	230	\$3,361
P-R336A-EN-C #51	Natural	2000-6000	009222	230	\$3,361
P-R336A-EN-C #52	Natural	6000-9000	009848	230	\$3,361
P-R406A-EN-C #50	Natural	0-2000	009219	249	\$3,809
P-R406A-EN-C #51	Natural	2000-6000	009223	249	\$3,809
P-R406A-EN-C #52	Natural	6000-9000	009849	249	\$3,809
P-R206A-EP-C #57	Propane	0-2000	009224	187	\$2,690
P-R206A-EP-C #58	Propane	2000-3000	009228	187	\$2,690
P-R206A-EP-C #59	Propane	3000-5000	009232	187	\$2,690
P-R206A-EP-C #60	Propane	5000-7000	009236	187	\$2,690
P-R266A-EP-C #57	Propane	0-2000	009225	210	\$2,957
P-R266A-EP-C #58	Propane	2000-3000	009229	210	\$2,957
P-R266A-EP-C #59	Propane	3000-5000	009233	210	\$2,957
P-R266A-EP-C #60	Propane	5000-7000	009237	210	\$2,957
P-R336A-EP-C #57	Propane	0-2000	009226	230	\$3,361
P-R336A-EP-C #58	Propane	2000-3000	009230	230	\$3,361
P-R336A-EP-C #59	Propane	3000-5000	009234	230	\$3,361
P-R336A-EP-C #60	Propane	5000-7000	009238	230	\$3,361
P-R406A-EP-C #57	Propane	0-2000	009227	249	\$3,809
P-R406A-EP-C #58	Propane	2000-3000	009231	249	\$3,809
P-R406A-EP-C #59	Propane	3000-5000	009235	249	\$3,809
P-R406A-EP-C #60	Propane	5000-7000	009239	249	\$3,809

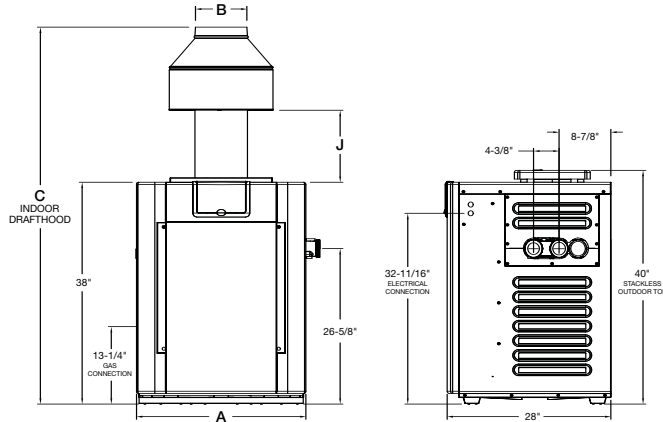
Outdoor top is standard; add for indoor top.

R206	Indoor stack top	009838	14	\$106
R266	Indoor stack top	009839	16	\$106
R336	Indoor stack top	009840	19	\$106
R406	Indoor stack top	009841	21	\$106
206-406	Hose adapter 2" MPT to 1 1/2" hose (set of 2)	006490		\$23

For Parts See Page 136

DIGITAL CUPRO-NICKEL

- LCD digital display provides accurate temperature
- Monitors operational status as well as service diagnostics
- High-wind resistance
- Corrosion-resistant headers
- Unitherm governor prevents condensation
- PVC plumbing directly to the heater
- Small footprint
- Can be installed on combustible surface
- Cupro-nickel tubing



Heater Model	BTUH Input (000)	(A) Cabinet Width	(B) Flue Diameter	(C) Indoor Drafthood	(J) Minimum	Gas Conn.	Water Conn.	Shipping Weights (lbs)	
								w/ Polymer Headers and Stackless Top	Indoor Drafthood
R206A	199.5	20"	6"	61-5/8"	11-7/8"	3/4"	2"	187	14
R266A	266.0	23"	7"	62"	11"	3/4"	2"	210	16
R336A	332.5	26"	8"	63"	10-5/8"	3/4"	2"	230	19
R406A	399.0	29"	9"	64-1/2"	12-5/16"	3/4"	2"	249	21

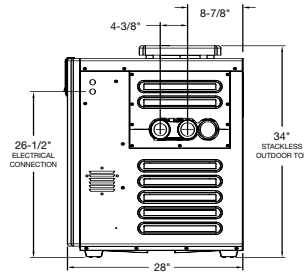
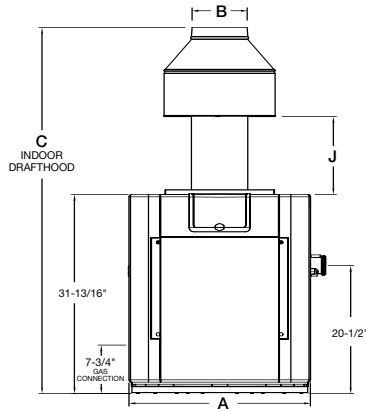
MODEL	GAS	ELEVATION (feet)	PART NUMBER	SHIPPING WEIGHT (LBS)	LIST PRICE
P-R206A-EN-X #50	Natural	0-2000	010102	187	\$2,960
P-R206A-EN-X #51	Natural	2000-6000	010106	187	\$2,960
P-R206A-EN-X #52	Natural	6000-9000	010110	187	\$2,960
P-R266A-EN-X #50	Natural	0-2000	010103	210	\$3,226
P-R266A-EN-X #51	Natural	2000-6000	010107	210	\$3,226
P-R266A-EN-X #52	Natural	6000-9000	010111	210	\$3,226
P-R336A-EN-X #50	Natural	0-2000	010104	230	\$3,631
P-R336A-EN-X #51	Natural	2000-6000	010108	230	\$3,631
P-R336A-EN-X #52	Natural	6000-9000	010112	230	\$3,631
P-R406A-EN-X #50	Natural	0-2000	010105	249	\$4,078
P-R406A-EN-X #51	Natural	2000-6000	010109	249	\$4,078
P-R406A-EN-X #52	Natural	6000-9000	010113	249	\$4,078
P-R206A-EP-X #57	Propane	0-2000	010114	187	\$2,960
P-R206A-EP-X #58	Propane	2000-3000	010118	187	\$2,960
P-R206A-EP-X #59	Propane	3000-5000	010122	187	\$2,960
P-R206A-EP-X #60	Propane	5000-7000	010126	187	\$2,960
P-R266A-EP-X #57	Propane	0-2000	010115	210	\$3,226
P-R266A-EP-X #58	Propane	2000-3000	010119	210	\$3,226
P-R266A-EP-X #59	Propane	3000-5000	010123	210	\$3,226
P-R266A-EP-X #60	Propane	5000-7000	010127	210	\$3,226
P-R336A-EP-X #57	Propane	0-2000	010116	230	\$3,631
P-R336A-EP-X #58	Propane	2000-3000	010120	230	\$3,631
P-R336A-EP-X #59	Propane	3000-5000	010124	230	\$3,631
P-R336A-EP-X #60	Propane	5000-7000	010128	230	\$3,631
P-R406A-EP-X #57	Propane	0-2000	010117	249	\$4,078
P-R406A-EP-X #58	Propane	2000-3000	010121	249	\$4,078
P-R406A-EP-X #59	Propane	3000-5000	010125	249	\$4,078
P-R406A-EP-X #60	Propane	5000-7000	010129	249	\$4,078

Outdoor top is standard; add for indoor top.

R206	Indoor stack top	009838	14	\$106
R266	Indoor stack top	009839	16	\$106
R336	Indoor stack top	009840	19	\$106
R406	Indoor stack top	009841	21	\$106
206-406	Hose adapter 2" MPT to 1 1/2" hose (set of 2)	006490		\$23

DIGITAL LOW NOx

- LCD digital display provides accurate temperature
- Monitors operational status as well as service diagnostics
- High-wind resistance
- Corrosion-resistant headers
- Unitherm governor prevents condensation
- PVC plumbing directly to the heater
- Small footprint
- Can be installed on combustible surface
- Complies with most NOx requirements



Heater Model	BTUH Input (000)	(A) Cabinet Width	(B) Flue Diameter	(C) Indoor Drafthood	(J) Minimum	Gas Conn.	Water Conn.	Shipping Weights (lbs)	
								w/ Polymer Headers and Stackless Top	Indoor Drafthood
R207A	199.5	20"	6"	55-5/8"	12"	3/4"	2"	174	14
R267A	266.0	23"	7"	56"	11-1/8"	3/4"	2"	197	16
R337A	332.5	26"	8"	57"	10-3/4"	3/4"	2"	219	19
R407A	399.0	29"	9"	58-1/2"	12-1/2"	3/4"	2"	237	21

MODEL	GAS	ELEVATION (feet)	PART NUMBER	SHIPPING WEIGHT (LBS)	LIST PRICE
P-R207AL-EN-C #26	Natural	0-5000	009240	174	\$2,960
P-R267AL-EN-C #26	Natural	0-5000	009241	197	\$3,299
P-R337AL-EN-C #26	Natural	0-5000	009242	219	\$3,698
P-R407AL-EN-C #26	Natural	0-5000	009243	237	\$4,129

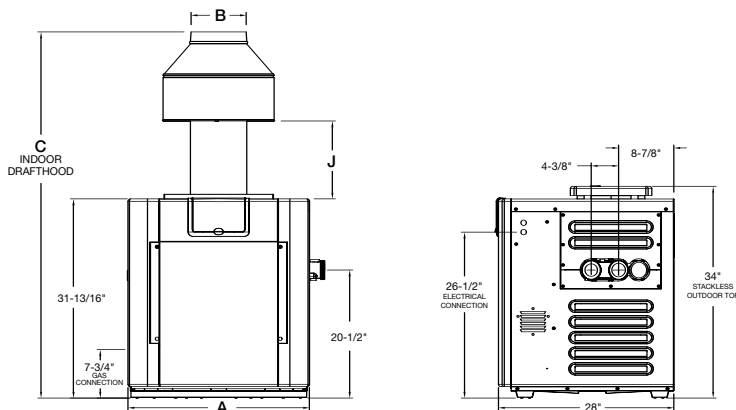
Not available for Propane gas.

Outdoor top is standard; add for indoor top.

R207	Indoor stack top	009838	14	\$106
R267	Indoor stack top	009839	16	\$106
R337	Indoor stack top	009840	19	\$106
R407	Indoor stack top	009841	21	\$106
207-407	Hose adapter 2" MPT to 1 1/2" hose (set of 2)	006490		\$23

DIGITAL LOW NO_x CUPRO-NICKEL

- LCD digital display provides accurate temperature
- Monitors operational status as well as service diagnostics
- High-wind resistance
- Corrosion-resistant headers
- Unitherm governor prevents condensation
- PVC plumbing directly to the heater
- Small footprint
- Can be installed on combustible surface
- Complies with most NO_x requirements



Heater Model	BTUH Input (000)	(A) Cabinet Width	(B) Flue Diameter	(C) Indoor Draft Hood	(J) Minimum	Gas Conn.	Water Conn.	Shipping Weights (lbs)	
								w/ Polymer Headers and Stackless Top	Indoor Draft Hood
R207A	199.5	20"	6"	55-5/8"	12"	3/4"	2"	174	14
R267A	266.0	23"	7"	56"	11-1/8"	3/4"	2"	197	16
R337A	332.5	26"	8"	57"	10-3/4"	3/4"	2"	219	19
R407A	399.0	29"	9"	58-1/2"	12-1/2"	3/4"	2"	237	21

MODEL	GAS	ELEVATION (feet)	PART NUMBER	SHIPPING WEIGHT (LBS)	LIST PRICE
P-R207A-EN-X #26	Natural	0-5000	010130	174	\$3,229
P-R267A-EN-X #26	Natural	0-5000	010131	197	\$3,569
P-R337A-EN-X #26	Natural	0-5000	010132	219	\$3,968
P-R407A-EN-X #26	Natural	0-5000	010133	237	\$4,399

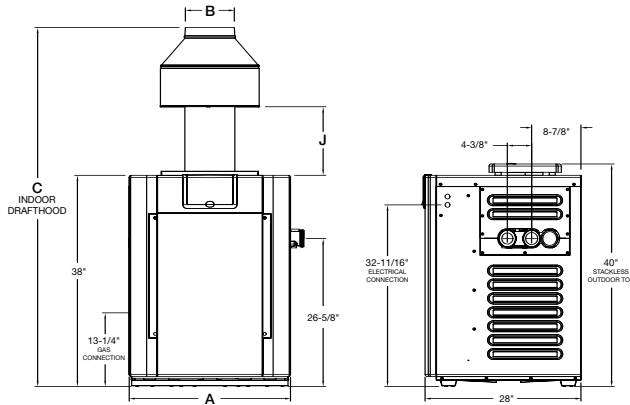
Not available for Propane gas.

Outdoor top is standard; add for indoor top.

R207	Indoor stack top	009838	14	\$106
R267	Indoor stack top	009839	16	\$106
R337	Indoor stack top	009840	19	\$106
R407	Indoor stack top	009841	21	\$106
207-407	Hose adapter 2" MPT to 1 1/2" hose (set of 2)	006490		\$23

MILLIVOLT

- High-wind resistance
- Corrosion-resistant headers
- PVC plumbing directly to the heater
- Small footprint
- Unitherm governor prevents condensation
- Completely field serviceable
- Non-stop performance



Heater Model	BTUH Input (000)	(A) Cabinet Width	(B) Flue Diameter	(C) Indoor Draft Hood	(J) Minimum	Gas Conn.	Water Conn.	Shipping Weights (lbs)	
								w/ Polymer Headers and Stackless Top	Indoor Draft Hood
R206A	199.5	20"	6"	61-5/8"	11-7/8"	3/4"	2"	187	14
R266A	266.0	23"	7"	62"	11"	3/4"	2"	210	16
R336A	332.5	26"	8"	63"	10-5/8"	3/4"	2"	230	19
R406A	399.0	29"	9"	64-1/2"	12-5/16"	3/4"	2"	249	21

MODEL	GAS	ELEVATION (feet)	PART NUMBER	SHIPPING WEIGHT (LBS)	LIST PRICE
P-R206A-MN-C #50	Natural	0-2000	009192	187	\$2,593
P-R206A-MN-C #51	Natural	2000-6000	009196	187	\$2,593
P-R206A-MN-C #52	Natural	6000-9000	009842	187	\$2,593
P-R266A-MN-C #50	Natural	0-2000	009193	210	\$2,836
P-R266A-MN-C #51	Natural	2000-6000	009197	210	\$2,836
P-R266A-MN-C #52	Natural	6000-9000	009843	210	\$2,836
P-R336A-MN-C #50	Natural	0-2000	009194	230	\$3,272
P-R336A-MN-C #51	Natural	2000-6000	009198	230	\$3,272
P-R336A-MN-C #52	Natural	6000-9000	009844	230	\$3,272
P-R406A-MN-C #50	Natural	0-2000	009195	249	\$3,728
P-R406A-MN-C #51	Natural	2000-6000	009199	249	\$3,728
P-R406A-MN-C #52	Natural	6000-9000	009845	249	\$3,728
P-R206A-MP-C #57	Propane	0-2000	009200	187	\$2,593
P-R206A-MP-C #58	Propane	2000-3000	009204	187	\$2,593
P-R206A-MP-C #59	Propane	3000-5000	009208	187	\$2,593
P-R206A-MP-C #60	Propane	5000-7000	009212	187	\$2,593
P-R266A-MP-C #57	Propane	0-2000	009201	210	\$2,836
P-R266A-MP-C #58	Propane	2000-3000	009205	210	\$2,836
P-R266A-MP-C #59	Propane	3000-5000	009209	210	\$2,836
P-R266A-MP-C #60	Propane	5000-7000	009213	210	\$2,836
P-R336A-MP-C #57	Propane	0-2000	009202	230	\$3,272
P-R336A-MP-C #58	Propane	2000-3000	009206	230	\$3,272
P-R336A-MP-C #59	Propane	3000-5000	009210	230	\$3,272
P-R336A-MP-C #60	Propane	5000-7000	009214	230	\$3,272
P-R406A-MP-C #57	Propane	0-2000	009203	249	\$3,728
P-R406A-MP-C #58	Propane	2000-3000	009207	249	\$3,728
P-R406A-MP-C #59	Propane	3000-5000	009211	249	\$3,728
P-R406A-MP-C #60	Propane	5000-7000	009215	249	\$3,728

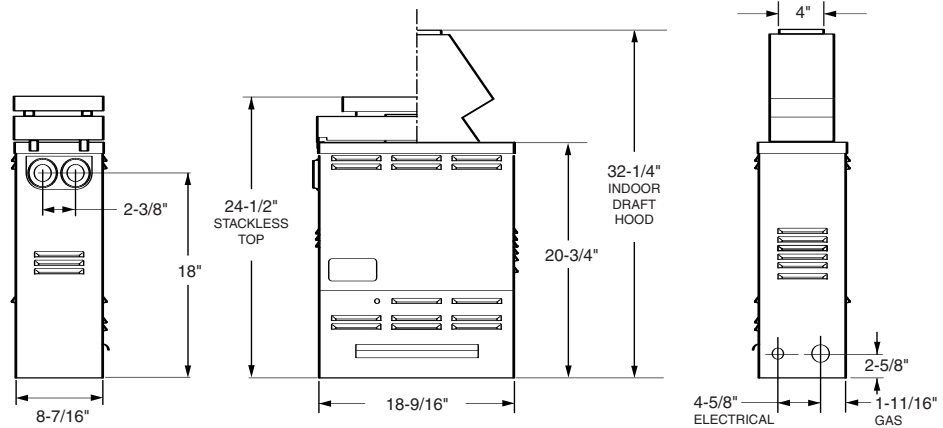
Outdoor top is standard; add for indoor top.

R206	Indoor stack top	009838	14	\$106
R266	Indoor stack top	009839	16	\$106
R336	Indoor stack top	009840	19	\$106
R406	Indoor stack top	009841	21	\$106
206-406	Hose adapter 2" MPT to 1 1/2" hose (set of 2)	006490		\$23

For Parts See Page 136

VERSA 055

- 50,000 BTU Input
- Natural or propane gas
- Indoor/outdoor installation
- Electronic ignition or millivolt pilot
- Copper fin tube heat exchanger design
- Small footprint
- Unitherm governor prevents condensation

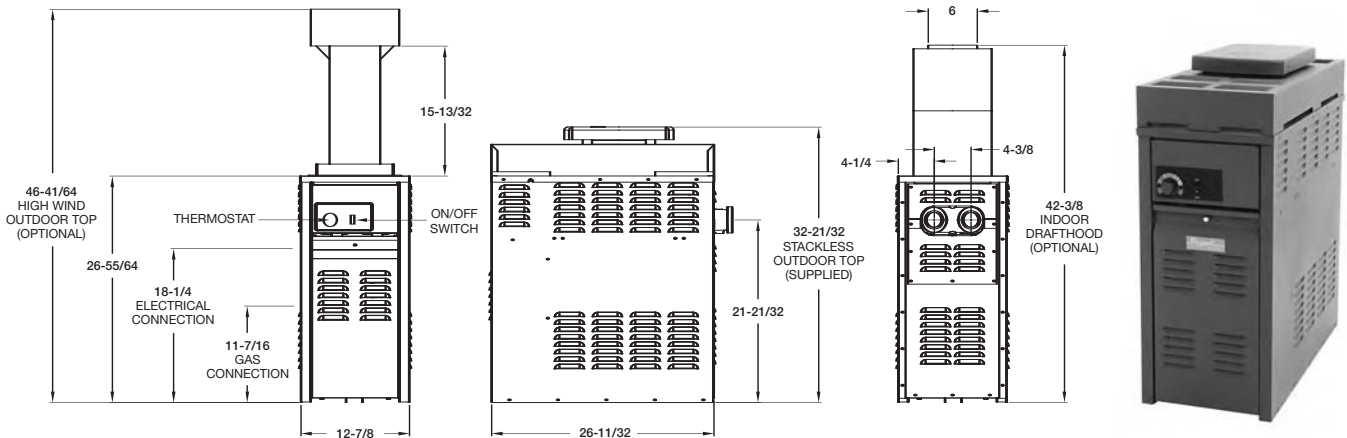


Model	BTU Input (000)	Water Connections	Gas Connections	Castings
B-055	50	1-1/2'	3/4'	Bronze

MODEL	GAS	ELEVATION (feet)	PART NUMBER	SHIPPING WEIGHT (LBS)	LIST PRICE
BRONZE HEADERS WITH MILLIVOLT PILOT					
B-R055B-MN #52	Natural	0-3000	004682	55	\$1,375
B-R055B-MN #53	Natural	3000-8000	004683	55	\$1,375
B-R055B-MN #54	Natural	8000-10,000	004708	55	\$1,375
BRONZE HEADERS WITH PROPANE PILOT					
B-R055B-MP #62	Propane	0-2000	004684	55	\$1,375
B-R055B-MP #63	Propane	2000-4000	008642	55	\$1,375
B-R055B-MP #64	Propane	4000-6000	004685	55	\$1,375
B-R055B-MP #65	Propane	6000-8000	008643	55	\$1,375
BRONZE HEADERS WITH ELECTRONIC PILOT					
B-R055B-EN #52	Natural	0-3000	004686	55	\$1,480
B-R055B-EN #53	Natural	3000-8000	008644	55	\$1,480
B-R055B-EP #62	Propane	0-2000	004687	55	\$1,480
B-R055B-EP #63	Propane	2000-4000	008645	55	\$1,480
B-R055B-EP #64	Propane	4000-6000	008646	55	\$1,480
B-R055B-EP #65	Propane	6000-8000	008647	55	\$1,480
Heater requires indoor or outdoor top listed below.					
055B	Outdoor top		003709	5	\$53
055B	Indoor stack top		003722	5	\$75
055B	Hose adapter 1 1/2" MPT to 1 1/2" hose (set of 2)		006495		\$23

VERSA 130

- Spa or above-ground pool heater
- 130,000 BTU Input
- Natural or propane gas
- Completely field-serviceable
- Small footprint
- Unitherm governor prevents condensation



Model	BTU	Water		Gas	Castings
P-130	130	1-1/2'	2'	3/4'	Polymer

MODEL	GAS	ELEVATION (feet)	PART NUMBER	SHIPPING WEIGHT (LBS)	LIST PRICE
POLYMER HEADERS WITH MILLIVOLT PILOT - COPPER TUBES					
P-R130A-MN-C #51	Natural	0-3000	011465	110	\$1,857
P-R130A-MN-C #52	Natural	3000-7000	011466	110	\$1,857
P-R130A-MP-C #59	Propane	0-2000	011467	110	\$1,857
P-R130A-MP-C #60	Propane	2000-3000	011468	110	\$1,857
P-R130A-MP-C #61	Propane	3000-5000	011469	110	\$1,857
P-R130A-MP-C #62	Propane	5000-6000	011470	110	\$1,857
P-R130A-MP-C #63	Propane	6000-8000	011471	110	\$1,857
POLYMER HEADERS WITH ELECTRONIC PILOT - COPPER TUBES					
P-R130A-EN-C #51	Natural	0-3000	011472	110	\$1,857
P-R130A-EN-C #52	Natural	3000-7000	011473	110	\$1,857
P-R130A-EP-C #59	Propane	0-2000	011474	110	\$1,857
P-R130A-EP-C #60	Propane	2000-3000	011475	110	\$1,857
P-R130A-EP-C #61	Propane	3000-5000	011476	110	\$1,857
P-R130A-EP-C #62	Propane	5000-6000	011477	110	\$1,857
P-R130A-EP-C #63	Propane	6000-8000	011478	110	\$1,857
POLYMER HEADERS WITH ELECTRONIC PILOT - CUPRO NICKEL TUBES					
P-R130A-EN-X #51	Natural	0-3000	011479	110	\$2,005
P-R130A-EN-X #52	Natural	3000-7000	011480	110	\$2,005
P-R130A-EP-X #59	Propane	0-2000	011481	110	\$2,005
P-R130A-EP-X #60	Propane	2000-3000	011482	110	\$2,005
P-R130A-EP-X #61	Propane	3000-5000	011483	110	\$2,005
P-R130A-EP-X #62	Propane	5000-6000	011484	110	\$2,005
P-R130A-EP-X #63	Propane	6000-8000	011485	110	\$2,005

Outdoor is Standard (shipped with unit)
Indoor stack top

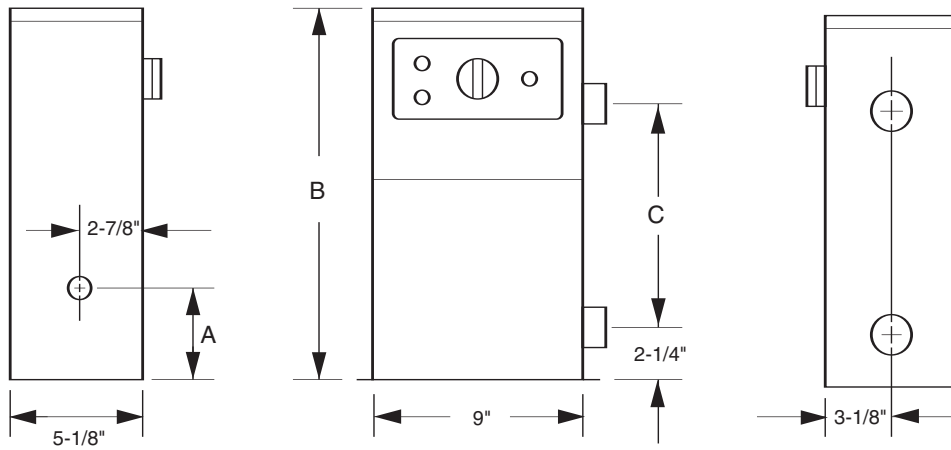
STANDARD
003723

SHIPPED LOOSE INSIDE BOX 130
10 \$78



SPA PAK HEATER ELS 552/1102

- 5.5 and 11 kilowatt models
- 240-volt single-phase electrical
- 100% copper and bronze waterways
- Compact design and small footprint
- Long lasting Incoloy heating element
- Full size - full flow 1-1/2" plumbing connections
- U.L. listed for indoor/outdoor installations

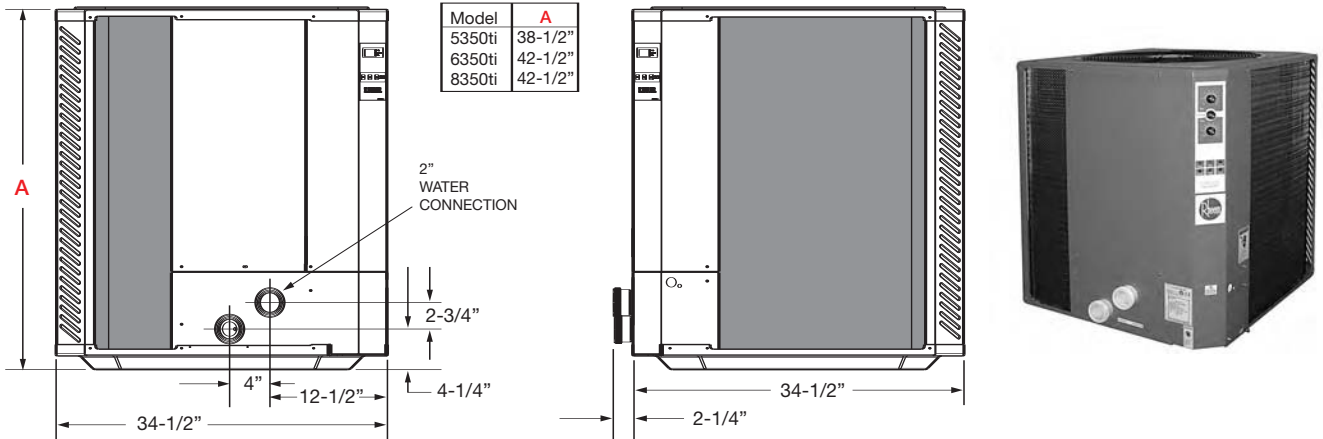


Model	BTUH (INPUT)	A	B	C	Water Conn.
552	18,767	3-7/8"	16	8	1-1/2"
1102	37,534	10-7/8"	23	15	1-1/2"

MODEL	VOLTAGE	PART NUMBER	SHIPPING WEIGHT (LBS)	LIST PRICE
ELS R-552-2	240V/60Hz	001642	20	\$865
ELS R-1102-2	240V/60Hz	001640	25	\$960

HEAT PUMP-ANALOG CONTROL 5350ti, 6350ti, 8350ti

- Scroll compressor
- 208/230V single-phase electrical
- Dual mechanical thermostats
- 2" PVC connection unions supplied
- L.E.D. operational status lights



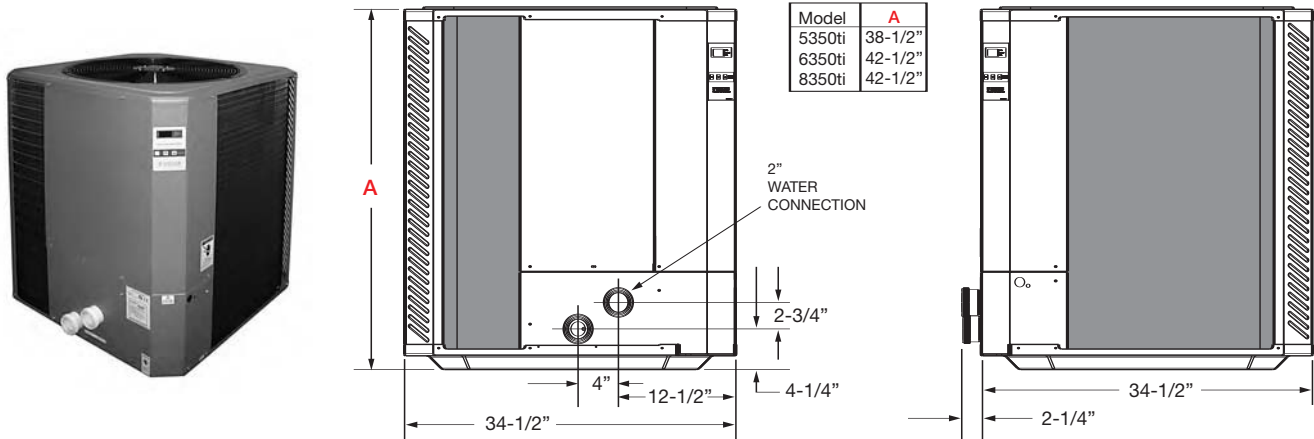
MODEL	RHP 5350ti	RHP 6350ti	RHP 8350ti
Heat BTUH Output (80,80,80)* / AHRI 1160 (80,63,80)**	95,000/92,000	117,000/113,000	133,000/125,000
C.O.P.	6.6/6.4	6.2/6.0	5.5/5.2
Compressor		Scroll	
Refrigerant		R-410A	
Voltage		208/230V-1Ph-60Hz	
Minimum Circuit Ampacity	40	42	42
Maximum Breaker Size (Amps)	60	60	60
Electrical Input (kw)	4.2	5.5	7.0
Heat Exchanger		Titanium	
Water Flow (gpm)	15-60	15-60	15-60
Shipping Weight (lbs.)	302	310	387

*Tested outside the scope of AHRI 1160 **Tested to AHRI 1160
All models comply with Florida 4.0 minimum C.O.P. requirement.

MODEL	BTU	PART NUMBER	SHIPPING WEIGHT (LBS)	LIST PRICE
RHP 5350ti-A	95,000	013319	302	\$4346
Scroll compressor, dual mechanical thermostat, Ti heat exchanger, classic cabinet.				
RHP 6350ti-A	117,000	013320	310	\$5115
Scroll compressor, dual mechanical thermostat, Ti heat exchanger, classic cabinet.				
RHP 8350ti-A	133,000	013334	387	\$5628
Scroll compressor, dual mechanical thermostat, Ti heat exchanger, dual row evap coil, classic cabinet.				

HEAT PUMP-DIGITAL CONTROL 5350ti, 6350ti, 8350ti

- Scroll compressor
- Digital control
- On board diagnostics
- 2" PVC connection unions supplied
- 208/230V single-phase electrical



MODEL	RHP 5350ti	RHP 6350ti	RHP 8350ti
Heat BTUH Output (80,80,80)* / AHRI 1160 (80,63,80)**	95,000/92,000	117,000/113,000	133,000/125,000
C.O.P.	6.6/6.4	6.2/6.0	5.5/5.2
Compressor		Scroll	
Refrigerant		R-410A	
Voltage		208/230V-1Ph-60Hz	
Minimum Circuit Ampacity	40	42	42
Maximum Breaker Size (Amps)	60	60	60
Electrical Input (kw)	4.2	5.5	7.0
Heat Exchanger		Titanium	
Water Flow (gpm)	15-60	15-60	15-60
Shipping Weight (lbs.)	302	310	387

*Tested outside the scope of AHRI 1160 **Tested to AHRI 1160
 All models comply with Florida 4.0 minimum C.O.P. requirement.

MODEL	BTU	PART NUMBER	SHIPPING WEIGHT (LBS)	LIST PRICE
RHP 5350ti-E	95,000	013306	302	\$4410
Scroll compressor, digital thermostat, Ti heat exchanger, classic cabinet.				
RHP 6350ti-E	117,000	013307	310	\$5179
Scroll compressor, digital thermostat, Ti heat exchanger, classic cabinet.				
RHP 8350ti-E	133,000	013331	387	\$5692
Scroll compressor, digital thermostat, Ti heat exchanger, dual row evap coil, classic cabinet.				

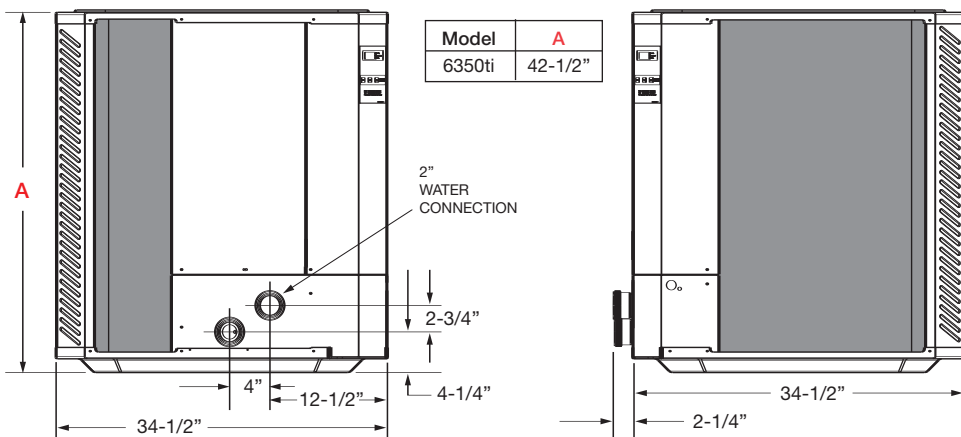
THREE PHASE, 208/230 VOLT, 60 CYCLE

RHP 8353ti-E	133,000	013412	387	\$6507
--------------	---------	--------	-----	--------

Scroll compressor, digital thermostat, Ti heat exchanger, dual row evap coil, classic cabinet.

HEAT PUMP-HEAT COOL 6350ti-HC

- Scroll compressor
- Digital thermostat
- On board diagnostics
- 2" PVC connection unions supplied
- Heat cool
- 208/230V single-phase electrical



MODEL	RHP 6350ti
Heat BTUH Output	110,000/104,000
(80,80,80)* / AHRI 1160 (80,63,80)**	
C.O.P.	6.0/5.7
Compressor	Scroll
Refrigerant	R-410A
Voltage	208/230V-1Ph-60Hz
Minimum Circuit Ampacity	42
Maximum Breaker Size (Amps)	60
Electrical Input (kw)	5.3
Heat Exchanger	Titanium
Water Flow (gpm)	15-60
Shipping Weight (lbs.)	319

*Tested outside the scope of AHRI 1160 **Tested to AHRI 1160
All models comply with Florida 4.0 minimum C.O.P. requirement.

MODEL	BTU	PART NUMBER	SHIPPING WEIGHT (LBS)	LIST PRICE
RHP 6350ti-E-HC	110,000	013309	319	\$6410

Scroll compressor, digital thermostat, Ti heat exchanger, classic cabinet, power defrost.

OPTIONS

<u>MODEL</u>	<u>DESCRIPTION</u>	<u>PART NUMBER</u>	<u>SHIPPING WEIGHT (lbs)</u>	<u>LIST PRICE</u>
A-15: PRESSURE RELIEF VALVES				
206/207	125 lbs	012648	1	\$41
266-407	125 lbs	010231	1	\$41

D-2: POWER VENT - INDOOR

206-267	IID ONLY	009832		\$798
336-407	IID ONLY	009833		\$803

Note: Power vents are shipped loose for field installation and wiring. Factory wired for 240V operation.

D-10: RESIDENTIAL POOL HEATER INDOOR DRAFTHOODS

055	INDOOR TOP	003722	5	\$75
130	INDOOR TOP	003723	10	\$78
206/207	INDR STACK TOP 6"	009838	14	\$106
266/267	INDR STACK TOP 7"	009839	16	\$106
336/337	INDR STACK TOP 8"	009840	19	\$106
406/407	INDR STACK TOP 9"	009841	21	\$106

D-11: RESIDENTIAL POOL HEATER OUTDOOR STACKLESS TOPS

055	OUTDOOR TOP	003709	5	\$53
130	OUTDOOR TOP	STANDARD	SHIPPED LOOSE INSIDE BOX	
055	HIGHWIND TOP	N/A	N/A	N/A
206/207	HIGHWIND TOP	009834	20	\$156
266/267	HIGHWIND TOP	009835	20	\$159
336/337	HIGHWIND TOP	009836	25	\$179
406/407	HIGHWIND TOP	009837	25	\$187

HOSE ADAPTERS:

55 CI	1-1/2" MPT TO 1 1/2" HOSE	006495	SET OF 2	\$23
206-407	2" MPT TO 1 1/2" HOSE	006490	SET OF 2	\$23

POOLSTAT COVER/LOCK KIT

55		006492	3	\$71
206-407		009505	3	\$71
Heat Pump Classic Series		009540	3	\$72

X-10: RESTRAINT BRACKET - HURRICANE TIE DOWN

206A-406A, 207A-407A		011636		\$8
----------------------	--	--------	--	-----

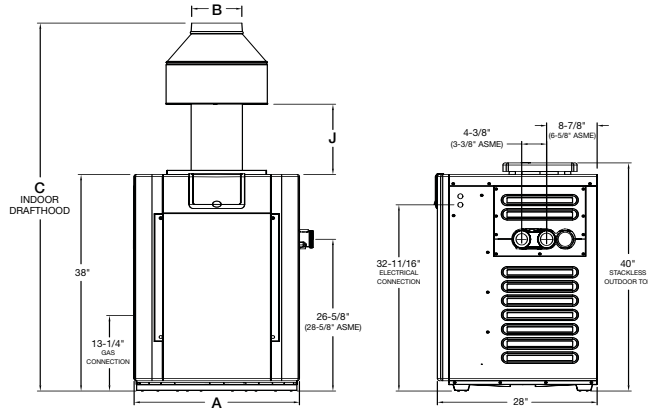
SECTION 2

DIGITAL ASME16
DIGITAL ASME Cupro-Nickel17
DIGITAL LOW NO_x ASME18
DIGITAL LOW NO_x ASME Cupro-Nickel19
MILLIVOLT ASME20
Raytherm 514-82421
Raytherm 926-1178 (Outdoor)23
Raytherm 962-1223 (Indoor)24
Raytherm 1287-1758 (Outdoor)25
Raytherm 1336-1826 (Indoor)26
Raytherm 2100-4001 (Indoor)27
Raytherm Options28
Hi Delta 302-40232
Hi Delta 502-90233
Hi Delta 992-153234
Hi Delta 1802-234235
Hi Delta 502-902 Cold Run36
Hi Delta 992-1532 Cold Run37
Hi Delta 1802-2342 Cold Run38
Hi Delta Rack Kit39
Hi Delta CHX Configurations43
Hi Delta Options49
MVB 504-200453
MVB 504-2004 Cold Run54
MVB Options55
XTherm 1005-200557

DIGITAL ASME

- Digital LCD for temperature control and heater settings
- 2" glass-lined Cast Iron headers
- Microprocessor controls diagnostic readout and continuously monitors operational status
- Unitherm governor eliminates condensation
- Small footprint
- High-wind reliability
- 125# pressure relief valve
- ANSI Z21.56 design certified

COMMERCIAL



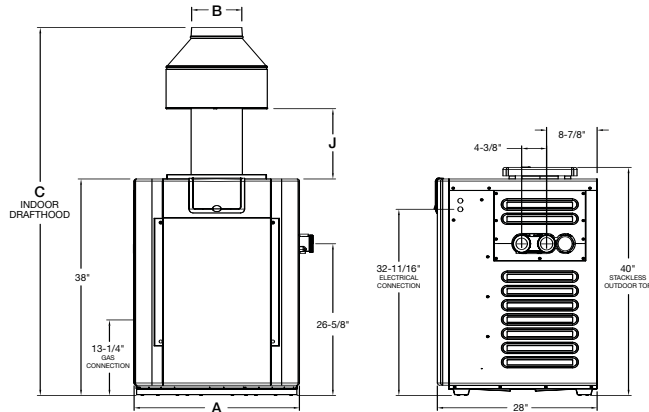
Heater Model	BTUH Input (000)	(A) Cabinet Width	(B) Flue Diameter	(C) Indoor Draffhood	(J) Minimum	Gas Conn.	Water Conn.	Shipping Weights (lbs)	
								w/ Cast Iron Headers and Stackless Top	Indoor Draffhood
R206A	199.5	20"	6"	61-5/8"	11-7/8"	3/4"	2"	206	14
R266A	266.0	23"	7"	62"	11"	3/4"	2"	229	16
R336A	332.5	26"	8"	63"	10-5/8"	3/4"	2"	249	19
R406A	399.0	29"	9"	64-1/2"	12-5/16"	3/4"	2"	268	21

MODEL	GAS	ELEVATION (feet)	PART NUMBER	SHIPPING WT (LBS)	LIST PRICE
C-R206A-EN-C #50	Natural	0-2000	009268	206	\$3,027
C-R206A-EN-C #51	Natural	2000-6000	009272	206	\$3,027
C-R206A-EN-C #52	Natural	6000-9000	009854	206	\$3,027
C-R266A-EN-C #50	Natural	0-2000	009269	229	\$3,294
C-R266A-EN-C #51	Natural	2000-6000	009273	229	\$3,294
C-R266A-EN-C #52	Natural	6000-9000	009855	229	\$3,294
C-R336A-EN-C #50	Natural	0-2000	009270	249	\$3,698
C-R336A-EN-C #51	Natural	2000-6000	009274	249	\$3,698
C-R336A-EN-C #52	Natural	6000-9000	009856	249	\$3,698
C-R406A-EN-C #50	Natural	0-2000	009271	268	\$4,146
C-R406A-EN-C #51	Natural	2000-6000	009275	268	\$4,146
C-R406A-EN-C #52	Natural	6000-9000	009857	268	\$4,146
C-R206A-EP-C #57	Propane	0-2000	009276	206	\$3,027
C-R206A-EP-C #58	Propane	2000-3000	009280	206	\$3,027
C-R206A-EP-C #59	Propane	3000-5000	009284	206	\$3,027
C-R206A-EP-C #60	Propane	5000-7000	009288	206	\$3,027
C-R266A-EP-C #57	Propane	0-2000	009277	229	\$3,294
C-R266A-EP-C #58	Propane	2000-3000	009281	229	\$3,294
C-R266A-EP-C #59	Propane	3000-5000	009285	229	\$3,294
C-R266A-EP-C #60	Propane	5000-7000	009289	229	\$3,294
C-R336A-EP-C #57	Propane	0-2000	009278	249	\$3,698
C-R336A-EP-C #58	Propane	2000-3000	009282	249	\$3,698
C-R336A-EP-C #59	Propane	3000-5000	009286	249	\$3,698
C-R336A-EP-C #60	Propane	5000-7000	009290	249	\$3,698
C-R406A-EP-C #57	Propane	0-2000	009279	268	\$4,146
C-R406A-EP-C #58	Propane	2000-3000	009283	268	\$4,146
C-R406A-EP-C #59	Propane	3000-5000	009287	268	\$4,146
C-R406A-EP-C #60	Propane	5000-7000	009291	268	\$4,146
Outdoor top is standard; add for indoor top.					
R206	Indoor stack top		009838	14	\$106
R266	Indoor stack top		009839	16	\$106
R336	Indoor stack top		009840	19	\$106
R406	Indoor stack top		009841	21	\$106

For options, see page 14.

DIGITAL ASME CUPRO-NICKEL

- Digital LCD for temperature control and heater settings
- 2" glass-lined Cast Iron headers
- Microprocessor controls diagnostic readout and continuously monitors operational status
- Unitherm governor prevents condensation
- PVC plumbing directly to the heater
- Small footprint
- Can be installed on combustible surface
- Cupro-nickel tubing



COMMERCIAL

Heater Model	BTUH Input (000)	(A) Cabinet Width	(B) Flue Diameter	(C) Indoor Drafthood	(J) Minimum	Gas Conn.	Water Conn.	Shipping Weights (lbs)	
								w/ Polymer Headers and Stackless Top	Indoor Drafthood
R206A	199.5	20"	6"	61-5/8"	11-7/8"	3/4"	2"	206	14
R266A	266.0	23"	7"	62"	11"	3/4"	2"	229	16
R336A	332.5	26"	8"	63"	10-5/8"	3/4"	2"	249	19
R406A	399.0	29"	9"	64-1/2"	12-5/16"	3/4"	2"	268	21

MODEL	GAS	ELEVATION (feet)	PART NUMBER	SHIPPING WEIGHT (LBS)	LIST PRICE
C-R206A-EN-X #50	Natural	0-2000	010198	206	\$3,296
C-R206A-EN-X #51	Natural	2000-6000	010202	206	\$3,296
C-R206A-EN-X #52	Natural	6000-9000	010206	206	\$3,296
C-R266A-EN-X #50	Natural	0-2000	010199	229	\$3,563
C-R266A-EN-X #51	Natural	2000-6000	010203	229	\$3,563
C-R266A-EN-X #52	Natural	6000-9000	010207	229	\$3,563
C-R336A-EN-X #50	Natural	0-2000	010200	249	\$3,968
C-R336A-EN-X #51	Natural	2000-6000	010204	249	\$3,968
C-R336A-EN-X #52	Natural	6000-9000	010208	249	\$3,968
C-R406A-EN-X #50	Natural	0-2000	010201	268	\$4,415
C-R406A-EN-X #51	Natural	2000-6000	010205	268	\$4,415
C-R406A-EN-X #52	Natural	6000-9000	010209	268	\$4,415
C-R206A-EP-X #57	Propane	0-2000	010210	206	\$3,296
C-R206A-EP-X #58	Propane	2000-3000	010214	206	\$3,296
C-R206A-EP-X #59	Propane	3000-5000	010218	206	\$3,296
C-R206A-EP-X #60	Propane	5000-7000	010222	206	\$3,296
C-R266A-EP-X #57	Propane	0-2000	010211	229	\$3,563
C-R266A-EP-X #58	Propane	2000-3000	010215	229	\$3,563
C-R266A-EP-X #59	Propane	3000-5000	010219	229	\$3,563
C-R266A-EP-X #60	Propane	5000-7000	010223	229	\$3,563
C-R336A-EP-X #57	Propane	0-2000	010212	249	\$3,968
C-R336A-EP-X #58	Propane	2000-3000	010216	249	\$3,968
C-R336A-EP-X #59	Propane	3000-5000	010220	249	\$3,968
C-R336A-EP-X #60	Propane	5000-7000	010224	249	\$3,968
C-R406A-EP-X #57	Propane	0-2000	010213	268	\$4,415
C-R406A-EP-X #58	Propane	2000-3000	010217	268	\$4,415
C-R406A-EP-X #59	Propane	3000-5000	010221	268	\$4,415
C-R406A-EP-X #60	Propane	5000-7000	010225	268	\$4,415

Outdoor top is standard; add for indoor top.

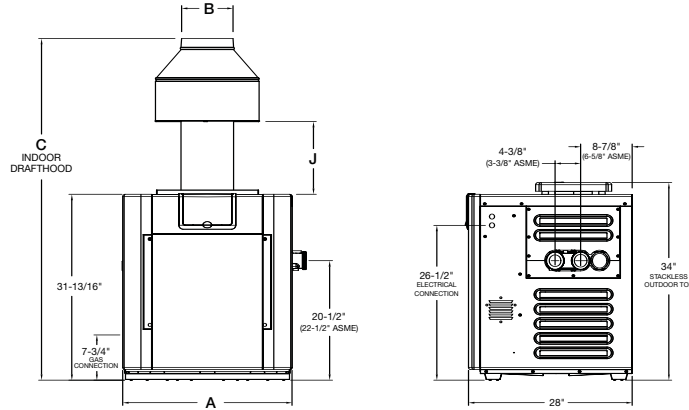
R206	Indoor stack top	009838	14	\$106
R266	Indoor stack top	009839	16	\$106
R336	Indoor stack top	009840	19	\$106
R406	Indoor stack top	009841	21	\$106
206-406	Hose adapter 2" MPT to 1 1/2" hose (set of 2)	006490		\$23

For Parts See Page 136

DIGITAL LOW NO_x ASME

- Digital LCD for temperature control and heater settings
- 2" glass-lined Cast Iron headers
- Microprocessor controls diagnostic readout and continuously monitors operational status
- High-wind reliability
- 125# pressure relief valve
- ANSI Z21.56 design certified

COMMERCIAL



Heater Model	BTUH Input (000)	(A) Cabinet Width	(B) Flue Diameter	(C) Indoor Draft Hood	(J) Minimum	Gas Conn.	Water Conn.	Shipping Weights (lbs)	
								w/ Cast Iron Headers and Stackless Top	Indoor Draft Hood
R207A	199.5	20"	6"	55-5/8"	12"	3/4"	2"	193	14
R267A	266.0	23"	7"	56"	11-1/8"	3/4"	2"	216	16
R337A	332.5	26"	8"	57"	10-3/4"	3/4"	2"	238	19
R407A	399.0	29"	9"	58-1/2"	12-1/2"	3/4"	2"	256	21

MODEL	GAS	ELEVATION (feet)	PART NUMBER	SHIPPING WEIGHT (LBS)	LIST PRICE
C-R207A-EN-C #26	Natural	0-5000	009292	193	\$3,296
C-R267A-EN-C #26	Natural	0-5000	009293	216	\$3,636
C-R337A-EN-C #26	Natural	0-5000	009294	238	\$4,035
C-R407A-EN-C #26	Natural	0-5000	009295	256	\$4,466

Not available for propane gas.

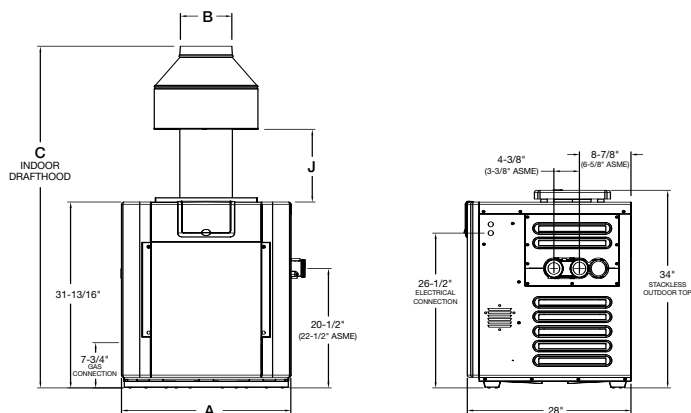
Outdoor top is standard; add for indoor top.

R207	Indoor stack top	009838	14	\$106
R267	Indoor stack top	009839	16	\$106
R337	Indoor stack top	009840	19	\$106
R407	Indoor stack top	009841	21	\$106

For options, see page 14.

DIGITAL LOW NO_x ASME CUPRO-NICKEL

- Digital LCD for temperature control and heater settings
- 2" glass-lined Cast Iron headers
- Microprocessor controls diagnostic readout and continuously monitors operational status
- High-wind reliability
- 125# pressure relief valve
- ANSI Z21.56 design certified



COMMERCIAL

Heater Model	BTUH Input (000)	(A) Cabinet Width	(B) Flue Diameter	(C) Indoor Draft Hood	(J) Minimum	Gas Conn.	Water Conn.	Shipping Weights (lbs)	
								w/ Cast Iron Headers and Stackless Top	Indoor Draft Hood
R207A	199.5	20"	6"	55-5/8"	12"	3/4"	2"	193	14
R267A	266.0	23"	7"	56"	11-1/8"	3/4"	2"	216	16
R337A	332.5	26"	8"	57"	10-3/4"	3/4"	2"	238	19
R407A	399.0	29"	9"	58-1/2"	12-1/2"	3/4"	2"	256	21

MODEL	GAS	ELEVATION (feet)	PART NUMBER	SHIPPING WEIGHT (LBS)	LIST PRICE
C-R207A-EN-X #26	Natural	0-5000	010227	193	\$3,566
C-R267A-EN-X #26	Natural	0-5000	010228	216	\$3,906
C-R337A-EN-X #26	Natural	0-5000	010229	238	\$4,305
C-R407A-EN-X #26	Natural	0-5000	010230	256	\$4,736

Not available for propane gas.

Outdoor top is standard; add for indoor top.

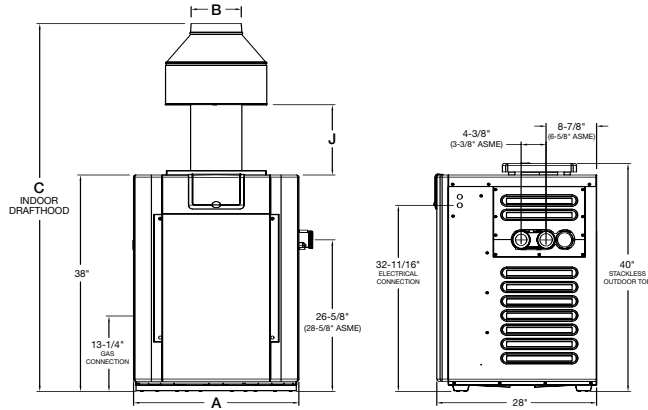
R207	Indoor stack top	009838	14	\$106
R267	Indoor stack top	009839	16	\$106
R337	Indoor stack top	009840	19	\$106
R407	Indoor stack top	009841	21	\$106

For options, see page 14.

MILLIVOLT ASME

- 2" glass-lined Cast Iron headers
- Unitherm Plus eliminates condensation
- Small footprint
- High-wind reliability
- 125# pressure relief valve
- ANSI Z21.56 design certified

COMMERCIAL



Heater Model	BTUH Input (000)	(A) Cabinet Width	(B) Flue Diameter	(C) Indoor Draft Hood	(J) Minimum	Gas Conn.	Water Conn.	Shipping Weights (lbs)	
								w/ Cast Iron Headers and Stackless Top	Indoor Draft Hood
R206A	199.5	20"	6"	61-5/8"	11-7/8"	3/4"	2"	206	14
R266A	266.0	23"	7"	62"	11"	3/4"	2"	229	16
R336A	332.5	26"	8"	63"	10-5/8"	3/4"	2"	249	19
R406A	399.0	29"	9"	64-1/2"	12-5/16"	3/4"	2"	268	21

MODEL	GAS	ELEVATION (feet)	PART NUMBER	SHIPPING WEIGHT (LBS)	LIST PRICE
C-R206A-MN-C #50	Natural	0-2000	009244	206	\$2,930
C-R206A-MN-C #51	Natural	2000-6000	009248	206	\$2,930
C-R206A-MN-C #52	Natural	6000-9000	009850	206	\$2,930
C-R266A-MN-C #50	Natural	0-2000	009245	229	\$3,173
C-R266A-MN-C #51	Natural	2000-6000	009249	229	\$3,173
C-R266A-MN-C #52	Natural	6000-9000	009851	229	\$3,173
C-R336A-MN-C #50	Natural	0-2000	009246	249	\$3,609
C-R336A-MN-C #51	Natural	2000-6000	009250	249	\$3,609
C-R336A-MN-C #52	Natural	6000-9000	009852	249	\$3,609
C-R406A-MN-C #50	Natural	0-2000	009247	268	\$4,065
C-R406A-MN-C #51	Natural	2000-6000	009251	268	\$4,065
C-R406A-MN-C #52	Natural	6000-9000	009853	268	\$4,065
C-R206A-MP-C #57	Propane	0-2000	009252	206	\$2,930
C-R206A-MP-C #58	Propane	2000-3000	009256	206	\$2,930
C-R206A-MP-C #59	Propane	3000-5000	009260	206	\$2,930
C-R206A-MP-C #60	Propane	5000-7000	009264	206	\$2,930
C-R266A-MP-C #57	Propane	0-2000	009253	229	\$3,173
C-R266A-MP-C #58	Propane	2000-3000	009257	229	\$3,173
C-R266A-MP-C #59	Propane	3000-5000	009261	229	\$3,173
C-R266A-MP-C #60	Propane	5000-7000	009265	229	\$3,173
C-R336A-MP-C #57	Propane	0-2000	009254	249	\$3,609
C-R336A-MP-C #58	Propane	2000-3000	009258	249	\$3,609
C-R336A-MP-C #59	Propane	3000-5000	009262	249	\$3,609
C-R336A-MP-C #60	Propane	5000-7000	009266	249	\$3,609
C-R406A-MP-C #57	Propane	0-2000	009255	268	\$4,065
C-R406A-MP-C #58	Propane	2000-3000	009259	268	\$4,065
C-R406A-MP-C #59	Propane	3000-5000	009263	268	\$4,065
C-R406A-MP-C #60	Propane	5000-7000	009267	268	\$4,065

Outdoor top is standard; add for indoor top.

R206	Indoor stack top	009838	14	\$106
R266	Indoor stack top	009839	16	\$106
R336	Indoor stack top	009840	19	\$106
R406	Indoor stack top	009841	21	\$106

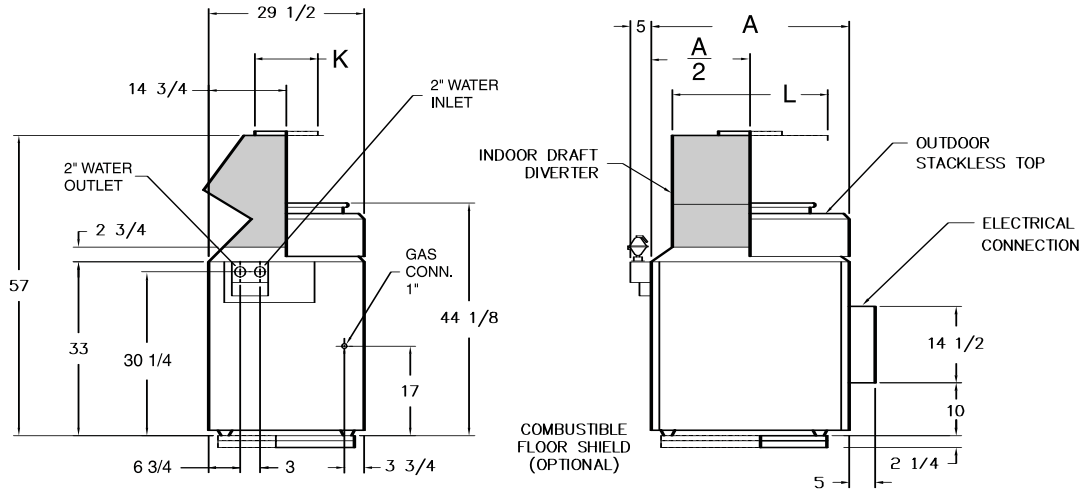
For options, see page 14.

RAYTHERM 514-824

- Indoor/outdoor installations
- Up to 82% thermal efficiency
- Natural or propane gas
- Fuel-saving electronic ignition
- Stainless steel burners
- 7/8" diameter finned cupro-nickel tubes
- Bronze headers
- Patented Unitherm Governor prevents condensation
- Optional factory-mounted remote spa



COMMERCIAL



Dimensions are in inches.

Model	Input MBTUH	Output MBTUH	A	K	L
514	511.5	419.4	32-3/4"	10"	25-3/8"
624	627.0	514.0	37-1/2"	12"	29-1/2"
724	726.0	595.0	41-5/8"	12"	34-1/4"
824	825.0	676.5	45-3/4"	14"	38-1/2"

TOPS

MODEL	TOP	PART NUMBER	SHIPPING WEIGHT (LBS)	LIST PRICE
P 514	Indoor Top	001457	40	\$269
P 624	Indoor Top	001458	45	\$306
P 724	Indoor Top	001459	50	\$320
P 824	Indoor Top	001460	55	\$348
P 514	Outdoor Top	001103	45	\$577
P 624	Outdoor Top	001104	50	\$596
P 724	Outdoor Top	001105	55	\$643
P 824	Outdoor Top	001106	65	\$708

- HEATERS ON NEXT PAGE -

For Parts See Page 158

RAYTHERM 514-824

COMMERCIAL

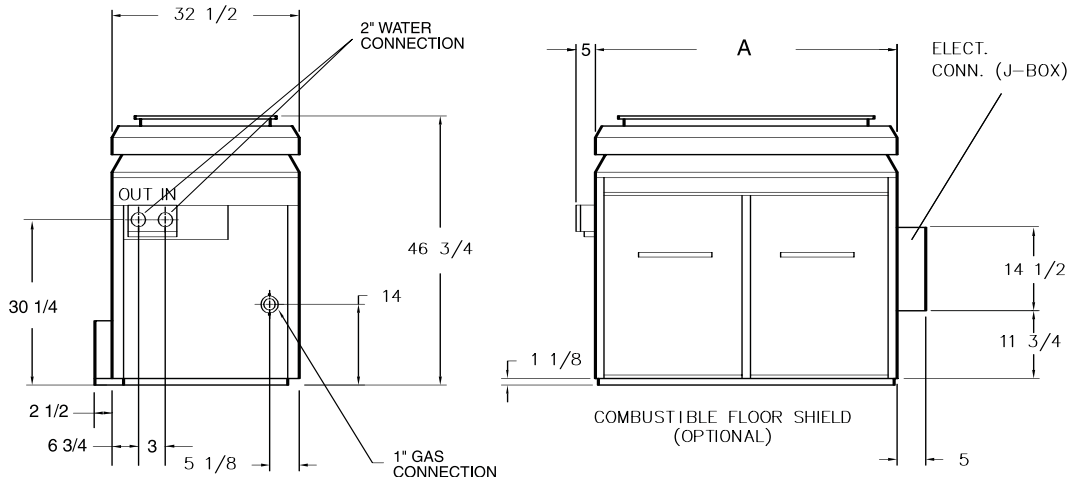
MODEL	GAS	ELEVATION (feet)	PART NUMBER	SHIPPING WEIGHT (LBS)	LIST PRICE
STANDARD					
P 514 #49	Natural	0-2000	001395	417	\$7,747
P 624 #49	Natural	0-2000	001396	468	\$9,165
P 724 #49	Natural	0-2000	001397	459	\$9,650
P 824 #49	Natural	0-2000	001398	493	\$10,292
P 514 #57	Propane	0-2000	001401	417	\$7,747
P 624 #57	Propane	0-2000	001402	468	\$9,165
P 724 #57	Propane	0-2000	001403	459	\$9,650
P 824 #57	Propane	0-2000	001404	493	\$10,292
CALIFORNIA CODE					
P 514 #49	Natural	0-2000	001429	437	\$8,519
P 624 #49	Natural	0-2000	001430	463	\$9,892
P 724 #49	Natural	0-2000	001431	486	\$10,365
P 824 #49	Natural	0-2000	001432	512	\$10,986
P 514 #57	Propane	0-2000	001435	437	\$8,519
P 624 #57	Propane	0-2000	001436	463	\$9,892
P 724 #57	Propane	0-2000	001437	486	\$10,365
P 824 #57	Propane	0-2000	001438	512	\$10,986

RAYTHERM 926-1178

- Outdoor installations
- Up to 82% thermal efficiency
- Natural or propane gas
- Fuel-saving electronic ignition
- Stainless steel burners
- 7/8" diameter finned cupro-nickel tubes
- Bronze headers



COMMERCIAL



Model	Input MBTUH	Output MBTUH	A
926	926	759	52-3/8"
1083	1083	888	59-1/4"
1178	1178	966	63-5/8"

Dimensions are in inches.

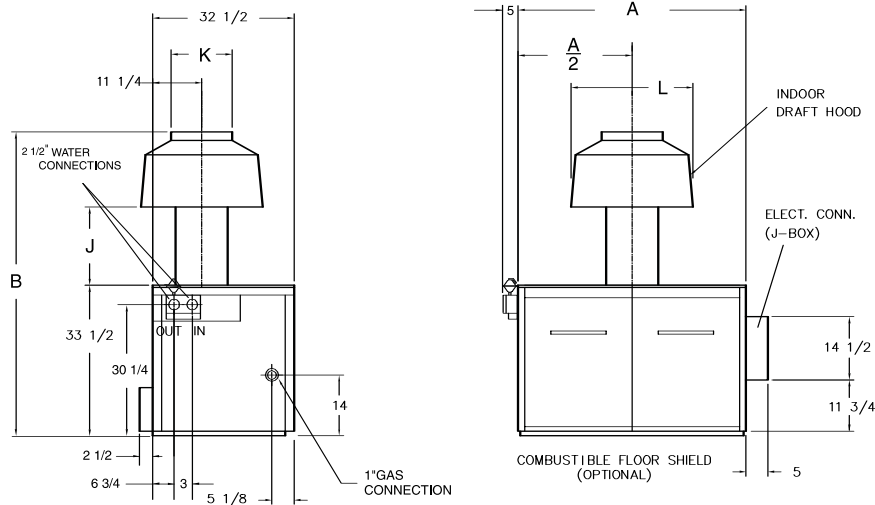
MODEL	GAS	ELEVATION (feet)	PART NUMBER	SHIPPING WEIGHT (LBS)	LIST PRICE
STANDARD UNIT-EQUIPPED WITH A UNITHERM GOVERNOR TO CONTROL CONDENSATION					
P 926 #49	Natural	0-2000	001374	600	\$11,635
P 1083 #49	Natural	0-2000	001375	745	\$11,867
P 1178 #49	Natural	0-2000	001376	760	\$12,801
P 926 #57	Propane	0-2000	001367	600	\$11,635
P 1083 #57	Propane	0-2000	001368	745	\$11,867
P 1178 #57	Propane	0-2000	001369	760	\$12,801
OPTIONAL UNIT-EQUIPPED WITH A COLD WATER RUN SYSTEM TO CONTROL CONDENSATION					
P 926 #49	Natural	0-2000	012390	780	\$17,595
P 1083 #49	Natural	0-2000	012391	825	\$17,827
P 1178 #49	Natural	0-2000	012392	840	\$18,925
P 926 #57	Propane	0-2000	012383	780	\$17,595
P 1083 #57	Propane	0-2000	012384	825	\$17,827
P 1178 #57	Propane	0-2000	012385	840	\$18,925

Outdoor top included.



RAYTHERM 962-1223

- Indoor installations
- Up to 82% thermal efficiency
- Natural or propane gas
- Fuel-saving electronic ignition
- Stainless steel burners
- 7/8" diameter finned cupro-nickel tubes
- Bronze headers



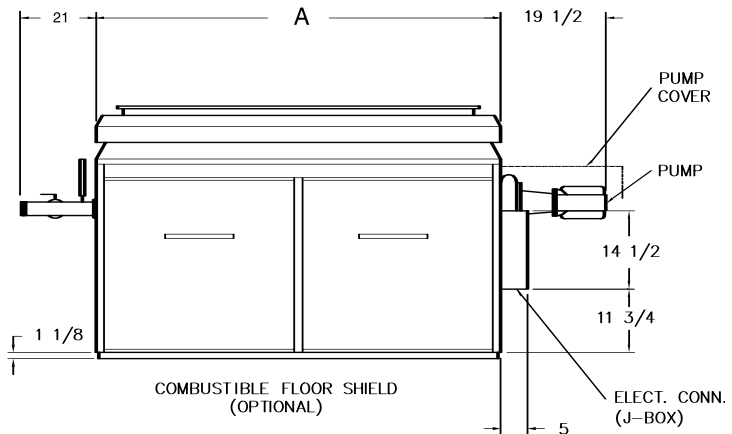
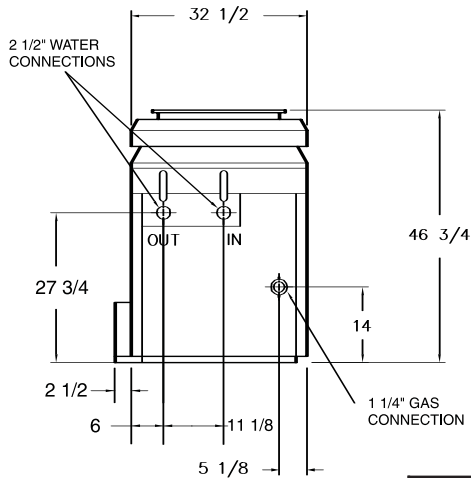
Dimensions are in inches.

Model	Input MBTUH	Output MBTUH	A	B	J	K	L
962	961.7	788.6	52-3/8"	76-1/8"	23-5/8"	14"	28"
1125	1124.7	922.0	59-1/4"	76-1/8"	23-5/8"	16"	32"
1223	1222.5	1002.4	63-5/8"	76-1/8"	23-5/8"	16"	32"

MODEL	GAS	ELEVATION (feet)	PART NUMBER	SHIPPING WEIGHT (LBS)	LIST PRICE
STANDARD UNIT-EQUIPPED WITH A UNITHERM GOVERNOR TO CONTROL CONDENSATION					
P 962 #48	Natural	0-2000	001346	630	\$11,201
P 1125 #48	Natural	0-2000	001347	794	\$11,420
P 1223 #48	Natural	0-2000	001348	890	\$12,352
P 962 #57	Propane	0-2000	001339	630	\$11,201
P 1125 #57	Propane	0-2000	001340	794	\$11,420
P 1223 #57	Propane	0-2000	001341	890	\$12,352
OPTIONAL UNIT-EQUIPPED WITH A COLD WATER RUN SYSTEM TO CONTROL CONDENSATION					
P 962 #48	Natural	0-2000	012376	700	\$17,161
P 1125 #48	Natural	0-2000	012377	770	\$17,380
P 1223 #48	Natural	0-2000	012378	970	\$18,476
P 962 #57	Propane	0-2000	012369	700	\$17,161
P 1125 #57	Propane	0-2000	012370	770	\$17,380
P 1223 #57	Propane	0-2000	012371	970	\$18,476
INDOOR STACK TOP					
P 962			006484	30	\$424
P 1125/1223			006485	45	\$438

RAYTHERM 1287-1758

- Outdoor installations
- Up to 82% thermal efficiency
- Natural or propane gas
- Fuel-saving electronic ignition
- Stainless steel burners
- 7/8" diameter finned cupro-nickel tubes
- Bronze headers
- Rear-mounted bronze bypass pump included
- Front-mounted bronze bypass assembly



Dimensions are in inches.

Model	Input MBTUH	Output MBTUH	A
1287	1287.0	1055.0	68-5/8"
1414	1413.0	1158.5	74-7/8"
1571	1570.0	1287.0	81-1/8"
1758	1758.0	1441.5	89-3/8"

COMMERCIAL

MODEL	GAS	ELEVATION (feet)	PART NUMBER	SHIPPING WEIGHT (LBS)	LIST PRICE
STANDARD UNIT-EQUIPPED WITH AN EXTERNAL MANUAL BYPASS TO CONTROL CONDENSATION					
WHP 1287 #49	Natural	0-2000	012498	865	\$15,811
WHP 1414 #49	Natural	0-2000	012499	950	\$16,500
WHP 1571 #49	Natural	0-2000	012500	1150	\$17,397
WHP 1758 #49	Natural	0-2000	012501	1140	\$20,097
WHP 1287 #57	Propane	0-2000	012502	865	\$15,811
WHP 1414 #57	Propane	0-2000	012503	950	\$16,500
WHP 1571 #57	Propane	0-2000	012504	1150	\$17,397
WHP 1758 #57	Propane	0-2000	012505	1140	\$20,097
OPTIONAL UNIT-EQUIPPED WITH A COLD WATER RUN SYSTEM TO CONTROL CONDENSATION					
WHP 1287 #49	Natural	0-2000	012514	945	\$20,548
WHP 1414 #49	Natural	0-2000	012515	1030	\$21,041
WHP 1571 #49	Natural	0-2000	012516	1230	\$21,938
WHP 1758 #49	Natural	0-2000	012517	1220	\$24,638
WHP 1287 #57	Propane	0-2000	012506	945	\$20,548
WHP 1414 #57	Propane	0-2000	012507	1030	\$21,041
WHP 1571 #57	Propane	0-2000	012508	1230	\$21,938
WHP 1758 #57	Propane	0-2000	012509	1220	\$24,638

Outdoor top included.

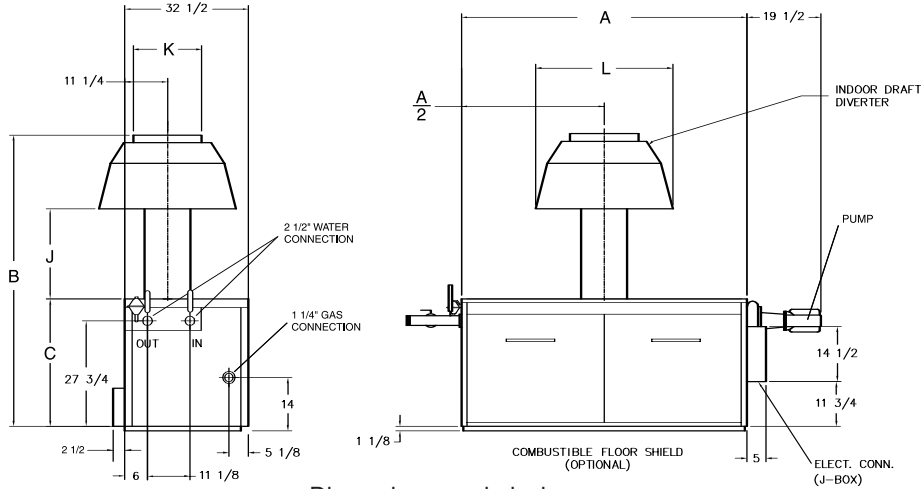
For Parts See Page 161

RAYTHERM 1336-1826

COMMERCIAL



- Indoor installations
- Up to 82% thermal efficiency
- Natural or propane gas
- Fuel-saving electronic ignition
- Stainless steel burners
- 7/8" diameter finned cupro-nickel tubes
- Bronze headers
- Rear-mounted bronze bypass pump included
- Front mounted bronze bypass assembly



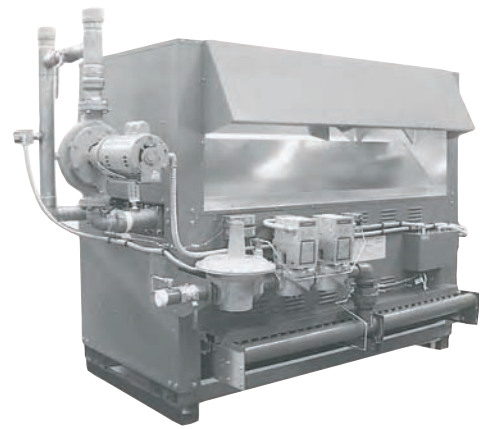
Dimensions are in inches.

Model	Input MBTUH	Output MBTUH	A	B	C	J	K	L
1336	1336.0	1096.0	68-5/8"	80-1/8"	33-1/2"	23-5/8"	18"	36"
1468	1467.0	1203.0	74-7/8"	80-1/8"	33-1/2"	23-5/8"	18"	36"
1631	1630.0	1336.6	81-1/8"	83-1/8"	36-1/2"	23-5/8"	18"	36"
1826	1825.6	1497.0	89-3/8"	85-1/8"	36-1/2"	23-5/8"	20"	40"

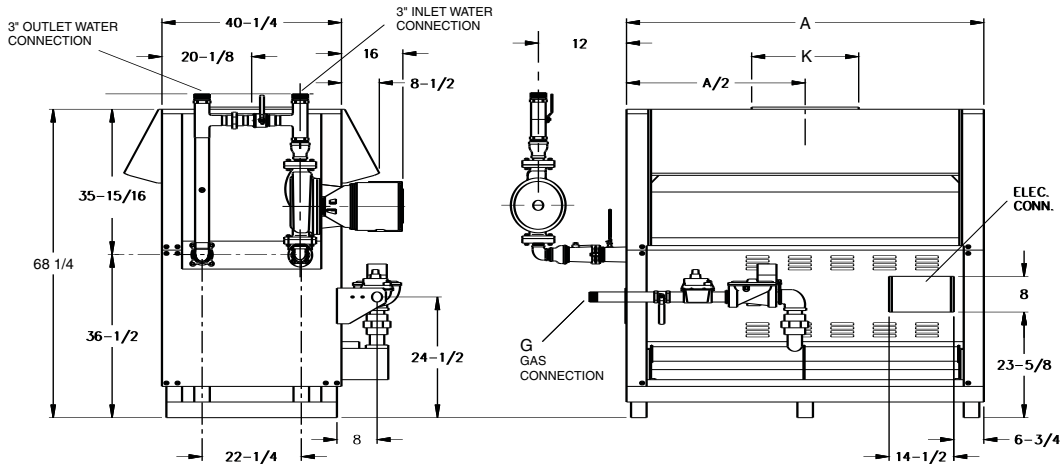
MODEL	GAS	ELEVATION (feet)	PART NUMBER	SHIPPING WEIGHT (LBS)	LIST PRICE
STANDARD UNIT-EQUIPPED WITH AN EXTERNAL MANUAL BYPASS TO CONTROL CONDENSATION					
WHP 1336 #48	Natural	0-2000	012466	925	\$15,150
WHP 1468 #48	Natural	0-2000	012467	820	\$15,798
WHP 1631 #48	Natural	0-2000	012468	930	\$16,696
WHP 1826 #48	Natural	0-2000	012469	950	\$19,416
WHP 1336 #57	Propane	0-2000	012470	925	\$15,150
WHP 1468 #57	Propane	0-2000	012471	820	\$15,798
WHP 1631 #57	Propane	0-2000	012472	930	\$16,696
WHP 1826 #57	Propane	0-2000	012473	950	\$19,416
OPTIONAL UNIT-EQUIPPED WITH A COLD WATER RUN SYSTEM TO CONTROL CONDENSATION					
WHP 1336 #48	Natural	0-2000	012494	1005	\$19,887
WHP 1468 #48	Natural	0-2000	012495	900	\$20,340
WHP 1631 #48	Natural	0-2000	012496	1100	\$21,237
WHP 1826 #48	Natural	0-2000	012497	1030	\$23,957
WHP 1336 #57	Propane	0-2000	012474	925	\$19,887
WHP 1468 #57	Propane	0-2000	012475	820	\$20,340
WHP 1631 #57	Propane	0-2000	012476	930	\$21,237
WHP 1826 #57	Propane	0-2000	012477	950	\$23,957
INDOOR STACK TOP					
WHP 1336/1468/1631			006486	80	\$646
WHP 1826			006487	95	\$660

RAYTHERM 2100-4001

- Indoor installations only
- Up to 82% thermal efficiency
- Natural or propane gas
- Fuel-saving electronic ignition
- Dual gas valves
- 7/8" diameter finned cupro-nickel tubes
- Bronze headers
- Front mounted bypass and bronze pump included



COMMERCIAL



Dimensions are in inches.

Model	Input MBTUH	Output MBTUH	A	G	K
2100	2100.0	1722.0	61"	(a)	24"
2500	2499.0	2049.0	70"	(a)	26"
3001	3000.0	2460.0	81-1/4"	2"	28"
3500	3500.0	2870.0	92-1/2"	2"	30"
4001	4000.0	3280.0	103-3/4"	2"	32"

1 1/2" or 2" Contingent on code requirements.

MODEL	GAS	ELEVATION (feet)	PART NUMBER	SHIPPING WEIGHT (LBS)	LIST PRICE
STANDARD UNIT-EQUIPPED WITH AN EXTERNAL MANUAL BYPASS TO CONTROL CONDENSATION					
WHP 2100 #17	Natural	0-2000	012518	1580	\$23,585
WHP 2500 #17	Natural	0-2000	012519	1780	\$24,720
WHP 3001 #17	Natural	0-2000	012520	2000	\$27,967
WHP 3500 #17	Natural	0-2000	012521	2180	\$30,046
WHP 4001 #17	Natural	0-2000	012522	2500	\$33,541
WHP 2100 #36	Propane	0-2000	012528	1580	\$23,585
WHP 2500 #36	Propane	0-2000	012529	1780	\$24,720
WHP 3001 #36	Propane	0-2000	012530	2000	\$27,967
WHP 3500 #36	Propane	0-2000	012531	2180	\$30,046
WHP 4001 #36	Propane	0-2000	012532	2500	\$33,541
OPTIONAL UNIT-EQUIPPED WITH A COLD WATER RUN SYSTEM TO CONTROL CONDENSATION					
WHP 2100 #17	Natural	0-2000	012523	1690	\$27,674
WHP 2500 #17	Natural	0-2000	012524	1890	\$28,809
WHP 3001 #17	Natural	0-2000	012525	2110	\$32,056
WHP 3500 #17	Natural	0-2000	012526	2290	\$34,135
WHP 4001 #17	Natural	0-2000	012527	2610	\$37,630
WHP 2100 #36	Propane	0-2000	012533	1690	\$27,674
WHP 2500 #36	Propane	0-2000	012534	1890	\$28,809
WHP 3001 #36	Propane	0-2000	012535	2110	\$32,056
WHP 3500 #36	Propane	0-2000	012536	2290	\$34,135
WHP 4001 #36	Propane	0-2000	012537	2610	\$37,630

For Parts See Page 164

RAYTHERM OPTIONS

COMMERCIAL

MODEL	DESCRIPTION	PART NUMBER	SHIPPING WEIGHT (LBS)	LIST PRICE
A-6: RIGHT-HAND WATER CONNECTIONS				
P 514-4001		056817		\$306
C-4: 15-SECOND LOCKOUT IGNITION IN LIEU OF 90-SECOND				
P 514-4001		SPR 1078		\$60
C-5: IGNITION LATCHING LOCKOUT MODULES (FACTORY-MOUNTED)				
P 514-4001		066146		\$815
D-1: POWER VENT IN LIEU OF STANDARD INDOOR TOPS (MOUNTED)				
P 514	Shipped Mounted	065128	150	\$3,314
P 624	Shipped Mounted	065129	150	\$3,314
P 724	Shipped Mounted	065130	150	\$3,314
P 824	Shipped Mounted	065131	150	\$3,314
P 962	Shipped Mounted	065351	160	\$4,810
P 1125	Shipped Mounted	065352	160	\$4,810
P 1223	Shipped Mounted	065353	160	\$4,810
P 1336	Shipped Mounted	065354	160	\$4,810
P 1468	Shipped Mounted	065355	175	\$4,810
P 1631	Shipped Mounted	065356	175	\$4,810
P 1826	Shipped Mounted	065357	175	\$4,810
D-2: POWER VENT - HEATER WIRED, SHIPPED LOOSE				
P 2100-2500	Shipped Loose	005627	234	\$8,865
P3001	Shipped Loose	005629	310	\$8,865
P3500	Shipped Loose	005630	307	\$8,865
P4001	Shipped Loose	005631	307	\$8,865
D-3: SIDEWALL VENT HOOD FOR DRAFT INDUCERS (OPTIONAL)				
P 514-1223	Shipped Loose	951097	15	\$506
P 1336-1826	Shipped Loose	951111	17	\$542
P 2100-4001			Not Available	
D-10: COMMERCIAL POOL HEATER INDOOR DRAFTHOODS				
P 514	Indoor Top	001457	40	\$269
P 624	Indoor Top	001458	45	\$306
P 724	Indoor Top	001459	50	\$320
P 824	Indoor Top	001460	55	\$348
P 962	Indoor Top	006484	30	\$424
P 1125	Indoor Top	006485	45	\$438
P 1223	Indoor Top	006485	45	\$438
P 1336	Indoor Top	006486	80	\$646
P 1468	Indoor Top	006486	80	\$646
P 1631	Indoor Top	006486	80	\$646
P 1826	Indoor Top	006487	95	\$660
D-11: COMMERCIAL POOL HEATER Outdoor STACKLESS Tops				
P 514	Outdoor Top	001103	45	\$577
P 624	Outdoor Top	001104	50	\$596
P 724	Outdoor Top	001105	55	\$643
P 824	Outdoor Top	001106	60	\$708

RAYTHERM OPTIONS

MODEL	DESCRIPTION	PART NUMBER	SHIPPING WEIGHT (LBS)	LIST PRICE
D-12: BAROMETRIC DAMPER (SHIPPED LOOSE)				
P 962	14"	006049	19	\$660
P 1125-1336	16"	006050	26	\$867
P 1468-1631	18"	006051	20	\$1,077
P1826	20"	006052	26	\$1,340

Note: Thermal Switch included with Barometric Damper at no charge.

E-4: ALARM CENTER

P 514-4001	3" BELL	065839		\$762
P 514-4001	4" BELL	065782		\$1,441

F-1: FLOW SWITCH

P 514-1223	SHIPPED LOOSE	010862		\$243
P 514-1178	IN 2" TEE ON INLET	056870		\$526
P 1287-1826	MOUNTED	STANDARD		

F-9: LOW WATER CUT-OFF

P 514-1178	IN 2" TEE ON OUTLET	064092	OUTDOOR	\$671
P 1287-1758	IN 2-1/2" TEE ON OUTLET	066547	OUTDOOR	\$671
P 2100-4001	IN RETURN HEADER	056850	INDOOR	\$671

G-1: CSD-1 CODE CONTROLS

P 514-824	NAT OR PRO	with UG		\$498
P 926-1223	NAT OR PRO	with UG		\$315
P 926-1223	NAT OR PRO	with H-Bypass/CWR		\$73
P 1287-2500	NAT OR PRO			\$255
P 3001-4001	NAT OR PRO			\$788

G-4: ILLINOIS SCHOOL CODE CONTROLS (BOCA)

P 514-4001	\$830
------------	-------

G-12: CALIFORNIA CODE CONTROLS

P 514-824 See page 21

P 926-4001	\$671
------------	-------

Notes:

1. CSD-1 option does not include (C-5) Manual Ignition Lockout. Order C-5 separately if required.
2. Sizes 514-1223 Flow Switch will ship loose on units using a Unitherm Governor.
3. Hi-Bypass & Cold Water Run models 926-4001 flow switch is mounted.
4. As of the 2004 Edition of CSD-1, ANSI Z21.56 pool heaters are specifically exempted from CSD-1. Not all states have adopted the 2004 revision.

RAYTHERM OPTIONS

COMMERCIAL

MODEL	DESCRIPTION	PART NUMBER	SHIPPING WEIGHT (LBS)	LIST PRICE
I-6: TEMPERATURE LIMITING CONTROL - 100°F MAX				
P 514-4001		006040		\$286
J-1: COMBUSTIBLE FLOOR SHIELDS, MOUNTED				
P 514	OUTDOOR	066517		\$153
P 624	OUTDOOR	066518		\$155
P 724	OUTDOOR	066519		\$167
P 824	OUTDOOR	066520		\$172
P 926	OUTDOOR	066596		\$207
P 1083	OUTDOOR	066597		\$417
P 1178	OUTDOOR	066598		\$417
P 1223	OUTDOOR	066599		\$430
P 1414	OUTDOOR	066600		\$452
P 1571	OUTDOOR	066601		\$459
P 1758	OUTDOOR	066602		\$518
M-1: SAFETY VALVES, MOTORIZED				
P 514-824		SPR		\$1,595
P 926-1468		SPR		\$1,728
P 1571-1826		SPR		\$1,565
P 2100-2500		SPR		\$1,811
P 3001-4001		SPR		STANDARD

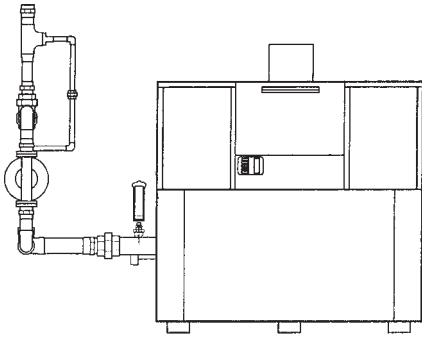
RAYTHERM OPTIONS

MODEL	DESCRIPTION	PART NUMBER	SHIPPING WEIGHT (LBS)	LIST PRICE
M-10: SAFETY VALVES, SOLENOID				
P 514-962		SPR		\$871
P1083-1336		SPR		\$1,001
P 1414-1826		SPR		\$1,001
P 2100-2500		SPR		\$1,001
P 3001-4001		SPR		\$1,325
S-1: LOW GAS PRESSURE SWITCH				
P 514-4001		065654		\$412
S-2: HIGH GAS PRESSURE SWITCHES				
P 514-2500		065653		\$412
P 3001-4001		STANDARD		
Y-241: CONTROLLER - 4 STAGE				
P 514-4001	FACTORY INSTALLED	008397		\$2,265
Y-281: CONTROLLER - 8 STAGE				
P 514-4001	FACTORY INSTALLED	008398		\$2,497
Z-1: RIGHT-HAND GAS CONNECTIONS				
P 514-4001		056860		\$304
Z-7: TEMPERATURE AND PRESSURE GAUGE				
P 514-1223		600672		\$70

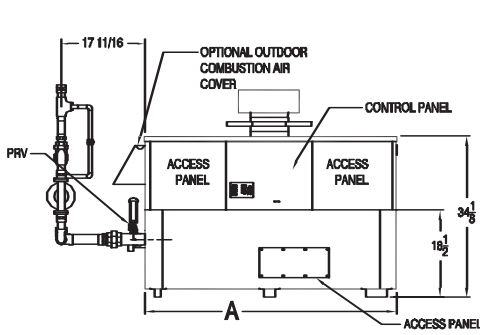
COMMERCIAL

HI DELTA 302-402

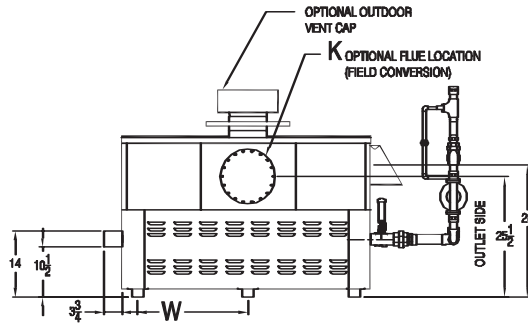
COMMERCIAL



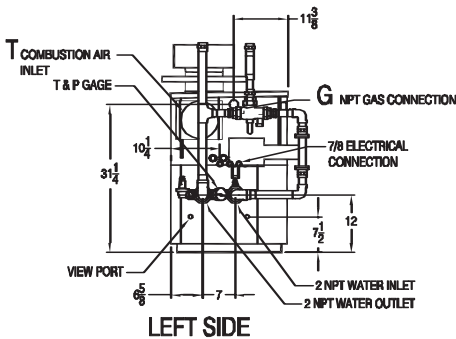
- Indoor/outdoor installation
- Ultra-low NOx
- 85% thermal efficiency
- Cupro-nickel tubes
- Bronze headers
- Top or back venting
- Sealed combustion chamber
- Only one inch installation clearance needed
- Stackable without increased footprint
- Small vent sizes
- Front-mounted bronze pump



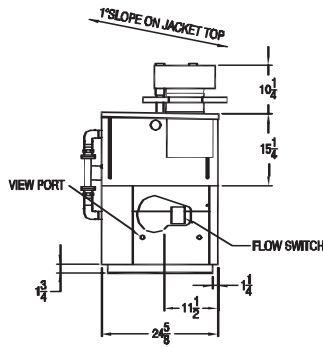
FRONT VIEW



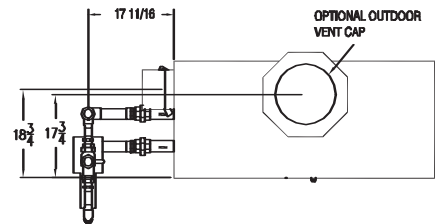
BACK VIEW



LEFT SIDE



RIGHT SIDE



TOP VIEW

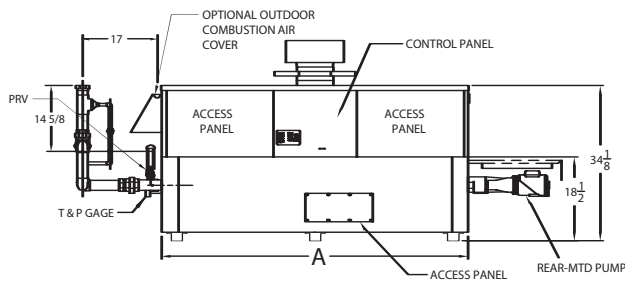
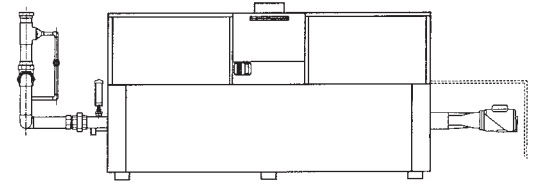
Model	Input MBTUH	Output MBTUH	A Width	G NPT	H NPT	K	T	W	Amp. Draw	Shipping Wt. (Lbs.)
302B	300	255	36"	3/4"	2"	5"	6"	18"	6	520
402B	399	339	43"	3/4"	2"	6"	6"	18-1/2"	6	445

MODEL	GAS	ELEVATION (feet)	PART NUMBER	SHIPPING WEIGHT (LBS)	LIST PRICE
P 302B	Natural	0-5000	009350	520	\$12,165
P 402B	Natural	0-5000	009351	445	\$14,635
P 302B	Propane	0-5000	009363	520	\$12,165
P 402B	Propane	0-5000	009364	445	\$14,635

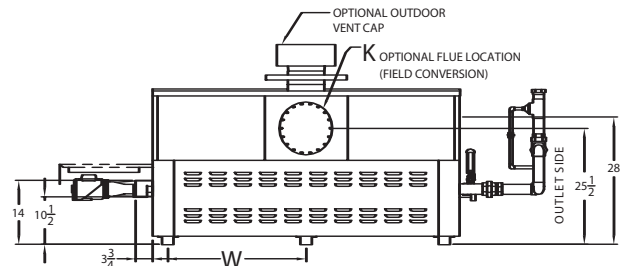
HI DELTA 502-902

- Indoor/outdoor installation
- Ultra-low NOx
- 85% thermal efficiency
- Cupro-nickel tubes
- Bronze headers
- Top or back
- Sealed combustion chamber
- Only one inch installation clearance needed
- Stackable without increased footprint
- Small vent sizes
- Rear-mounted bronze pump

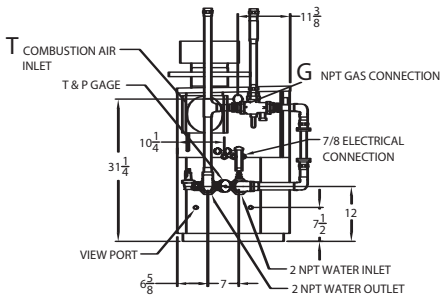
COMMERCIAL



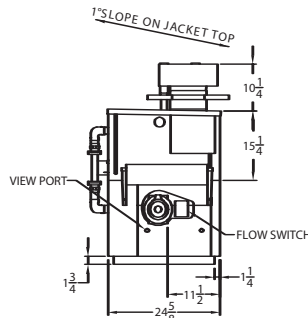
FRONT VIEW



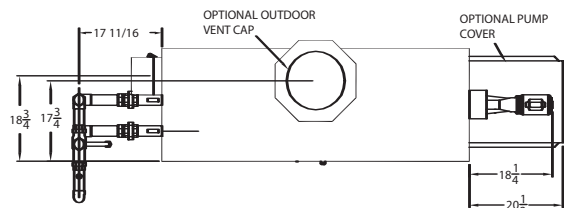
BACK VIEW



LEFT SIDE



RIGHT SIDE



TOP VIEW

Model	Input MBTUH	Output MBTUH	A Width	G NPT	H NPT	K	T	W	Amp. Draw	Shipping Wt. (Lbs.)
502B	500	425	50"	1-1/4"	2"	6"	6"	22"	6	655
652B	650	553	60-1/2"	1-1/4"	2"	8"	6"	27-1/4"	6	755
752B	750	638	67-1/2"	1-1/4"	2"	8"	6"	30-3/4"	6	815
902B	900	765	78"	1-1/4"	2"	8"	6"	36"	7	905

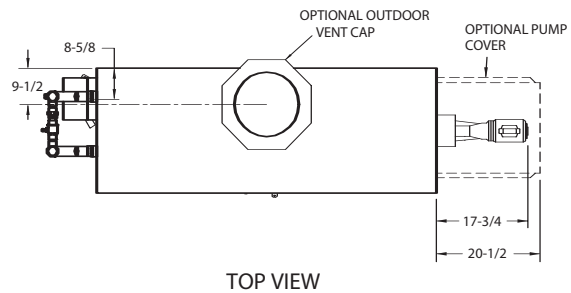
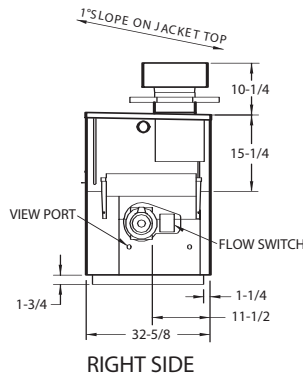
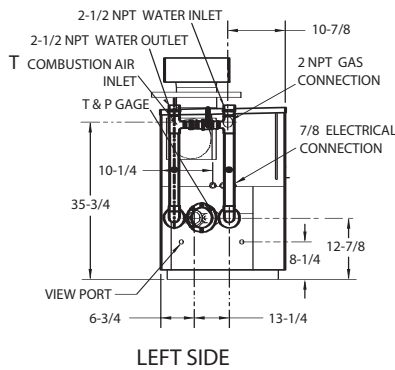
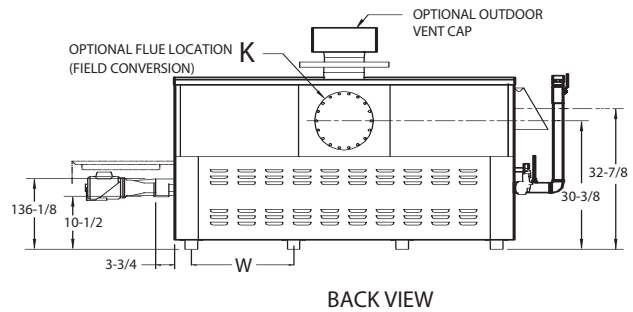
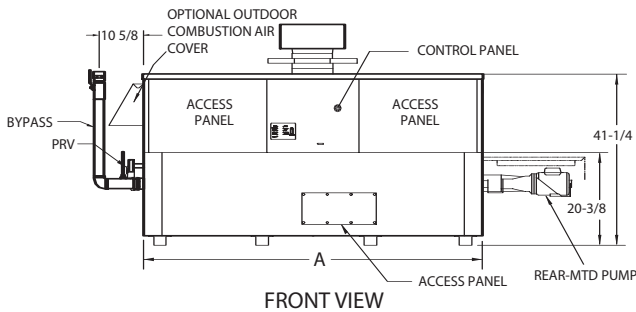
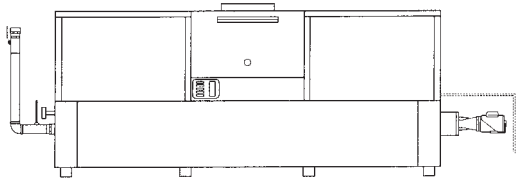
MODEL	GAS	ELEVATION (feet)	PART NUMBER	SHIPPING WEIGHT (LBS)	LIST PRICE
P 502B	Natural	0-5000	009352	655	\$17,712
P 652B	Natural	0-5000	009353	755	\$18,455
P 752B	Natural	0-5000	009354	815	\$18,964
P 902B	Natural	0-5000	009355	905	\$20,800
P 502B	Propane	0-5000	009365	655	\$17,712
P 652B	Propane	0-5000	009366	665	\$18,455
P 752B	Propane	0-5000	009367	775	\$18,964
P 902B	Propane	0-5000	009368	905	\$20,800

For Parts See Page 192

HI DELTA 992-1532

COMMERCIAL

- Indoor/outdoor installation
- Ultra-low NOx
- 85% thermal efficiency
- Cupro-nickel tubes
- Bronze headers
- Vent top or back
- Sealed combustion chamber
- Only one inch installation clearance needed
- Stackable without increased footprint
- Small vent sizes
- Non-ferrous bypass and pump assembly



Model	Input MBTUH	Output MBTUH	Firing Stages	A Width	H NPT	K	T	W	Amp. Draw*	Shipping Wt. (Lbs.)
992B	990	842	3	57-1/8"	2-1/2"	10"	10"	16-13/16"	<12	1000
1262B	1260	1071	4	68-1/2"	2-1/2"	12"	10"	20-9/16"	<12	1055
1532B	1530	1301	4	79-7/8"	2-1/2"	12"	10"	24-3/8"	<12	1255

* Without pump

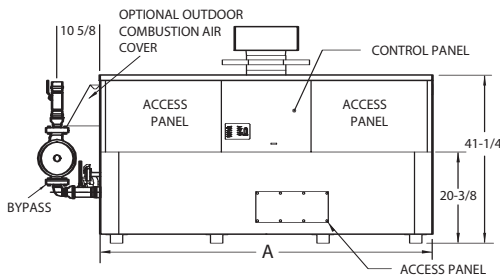
MODEL	GAS	ELEVATION (feet)	PART NUMBER	SHIPPING WEIGHT (LBS)	LIST PRICE
P 992B	Natural	0-5000	009356	1000	\$22,480
P 1262B	Natural	0-5000	009357	1055	\$24,816
P 1532B	Natural	0-5000	009358	1255	\$26,897
P 992B	Propane	0-5000	009369	1000	\$22,480
P 1262B	Propane	0-5000	009370	1055	\$24,816
P 1532B	Propane	0-5000	009371	1255	\$26,897

HI DELTA 1802-2342

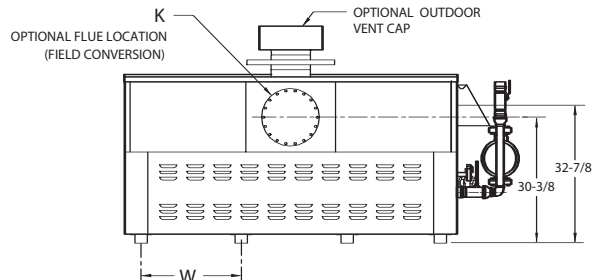
- Indoor/outdoor installation
- Ultra-low NOx
- 85% thermal efficiency
- Cupro-nickel tubes
- Bronze headers
- Top or back venting
- Sealed combustion chamber
- Only one inch installation clearance needed
- Stackable without losing foot print
- Small vent sizes
- Non-ferrous bypass and pump assembly



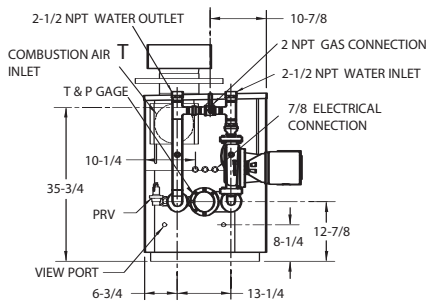
COMMERCIAL



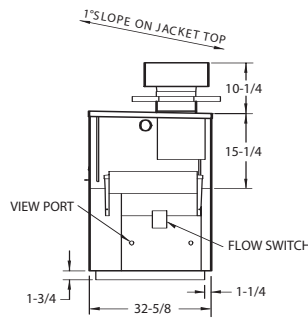
FRONT VIEW



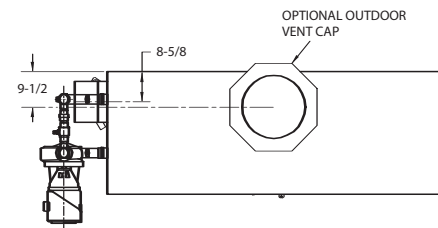
BACK VIEW



LEFT SIDE



RIGHT SIDE



TOP VIEW

Model	Input MBTUH	Output MBTUH	Firing Stages	A Width	H NPT	K	T	W	Amp. Draw*	Shipping Wt. (Lbs.)
1802B	1800	1530	4	91-1/8"	2-1/2"	14"	10"	28-1/8"	<12	1460
2002B	1999	1699	4	102-1/2"	2-1/2"	14"	10"	31-15/16"	<12	1560
2072B	2070	1760	4	102-1/2"	2-1/2"	14"	10"	31-15/16"	<12	1560
2342B	2340	1989	4	113-7/8"	2-1/2"	16"	10"	35-11/16"	<12	1620

* Without pump

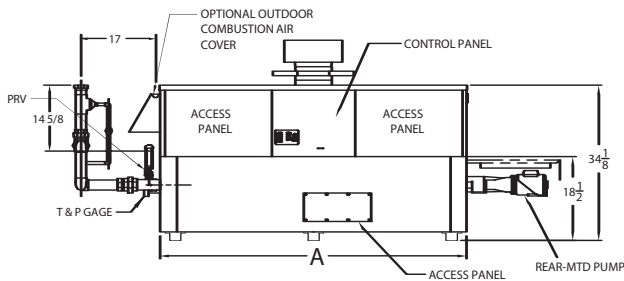
MODEL	GAS	ELEVATION (feet)	PART NUMBER	SHIPPING WEIGHT (LBS)	LIST PRICE
P 1802B	Natural	0-5000	009359	1460	\$28,684
WHP 2002B	Natural	0-5000	009360	1560	\$33,505
WHP 2072B	Natural	0-5000	012539	1560	\$33,505
WHP 2342B	Natural	0-5000	012540	1620	\$37,336
P 1802B	Propane	0-5000	009372	1460	\$28,684
WHP 2072B	Propane	0-5000	012541	1560	\$33,505
WHP 2342B	Propane	0-5000	012542	1620	\$37,336

For Parts See Page 198

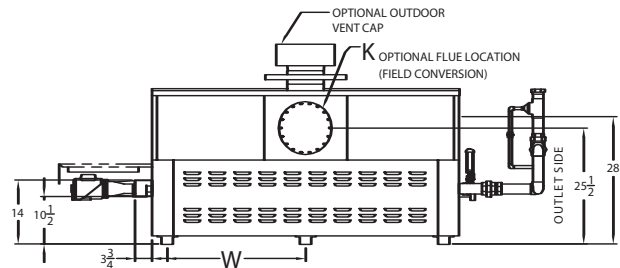


COLD RUN HI DELTA 502-902

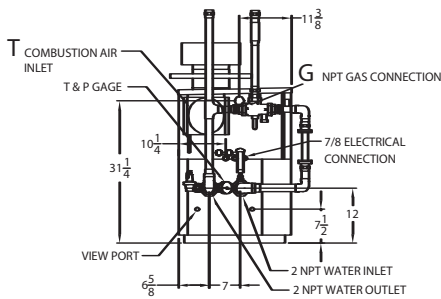
- Indoor/outdoor installation
- Ultra-low NOx
- 85% thermal efficiency
- Cupro-nickel tubes
- Bronze headers
- Top or back venting
- Sealed combustion chamber
- Only one inch installation clearance needed
- Stackable without increased footprint
- Small vent sizes
- Rear-mounted bronze pump



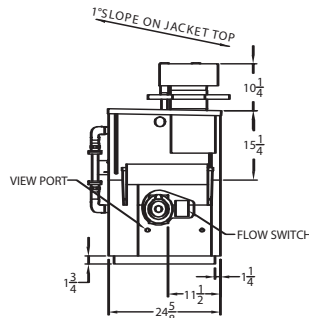
FRONT VIEW



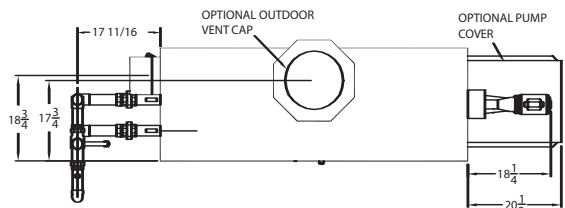
BACK VIEW



LEFT SIDE



RIGHT SIDE



TOP VIEW

Model	Input MBTUH	Output MBTUH	A Width	G NPT	H NPT	K	T	W	Amp. Draw	Shipping Wt. (Lbs.)
502B	500	425	50"	1-1/4"	2"	6"	6"	22"	6	730
652B	650	553	60-1/2"	1-1/4"	2"	8"	6"	27-1/4"	6	830
752B	750	638	67-1/2"	1-1/4"	2"	8"	6"	30-3/4"	6	890
902B	900	765	78"	1-1/4"	2"	8"	6"	36"	7	980

MODEL	GAS	ELEVATION (feet)	PART NUMBER	SHIPPING WEIGHT (LBS)	LIST PRICE
P 502B	Natural	0-5000	011982	730	\$21,160
P 652B	Natural	0-5000	011983	830	\$21,902
P 752B	Natural	0-5000	011984	890	\$22,412
P 902B	Natural	0-5000	011985	980	\$24,248
P 502B	Propane	0-5000	011995	730	\$21,160
P 652B	Propane	0-5000	011996	830	\$21,902
P 752B	Propane	0-5000	011997	890	\$22,412
P 902B	Propane	0-5000	011998	980	\$24,248

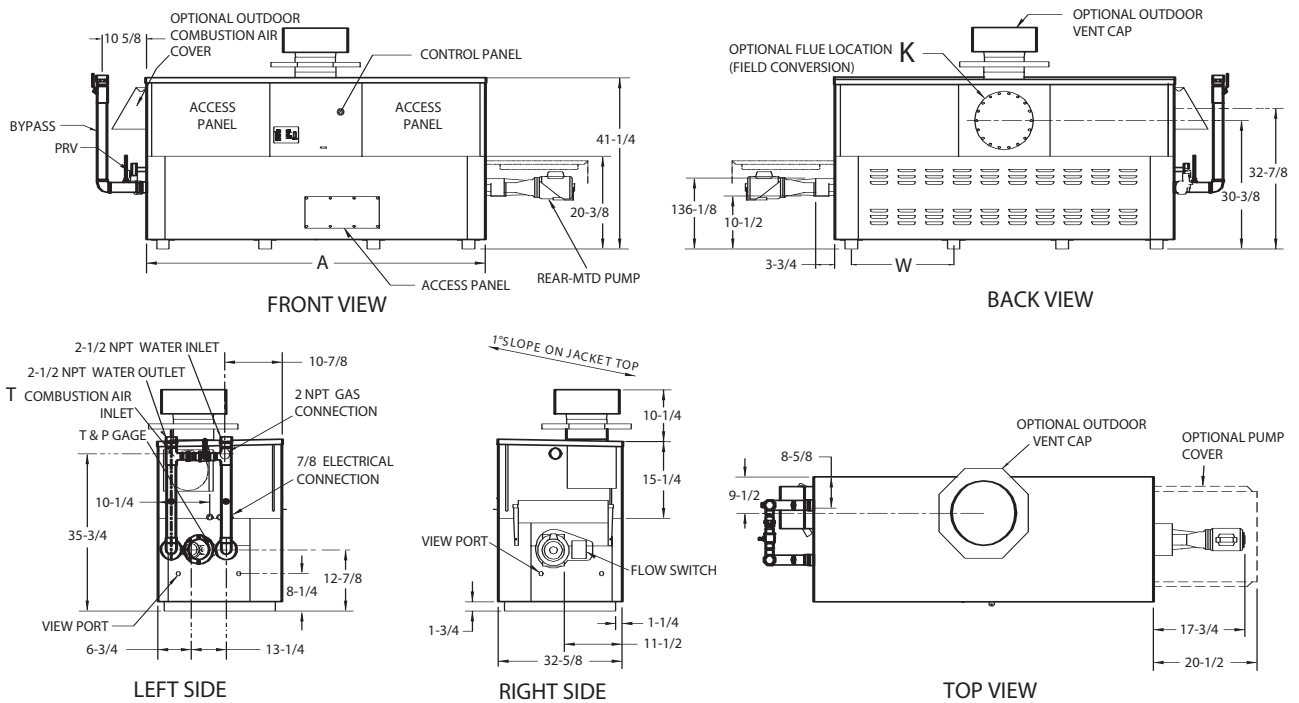
For Parts See Page 192 & 203

COLD RUN HI DELTA 992-1532

- Indoor/outdoor installation
- Ultra-low NOx
- 85% thermal efficiency
- Cupro-nickel tubes
- Bronze headers
- Top or back
- Sealed combustion chamber
- Only one inch installation clearance needed
- Stackable without increased footprint
- Small vent sizes
- Rear-mounted bronze pump



COMMERCIAL



Model	Input MBTUH	Output MBTUH	Firing Stages	A Width	H NPT	K	T	W	Amp. Draw*	Shipping Wt. (Lbs.)
992B	990	842	3	57-1/8"	2-1/2"	10"	10"	16-13/16"	<12	1075
1262B	1260	1071	4	68-1/2"	2-1/2"	12"	10"	20-9/16"	<12	1030
1532B	1530	1301	4	79-7/8"	2-1/2"	12"	10"	24-3/8"	<12	1335

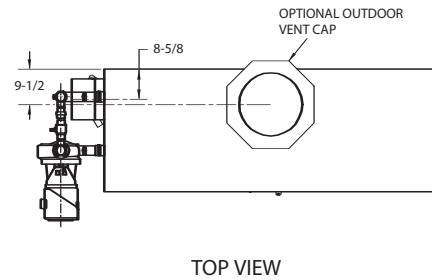
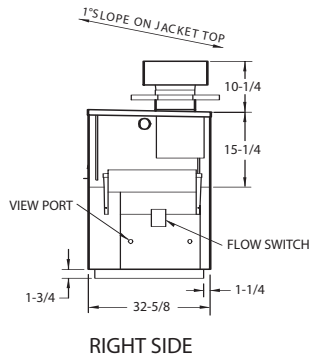
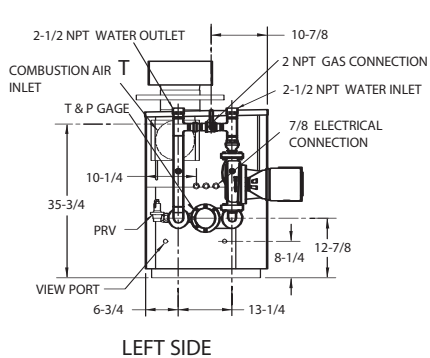
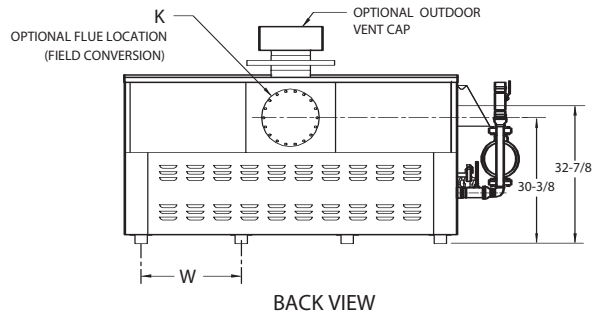
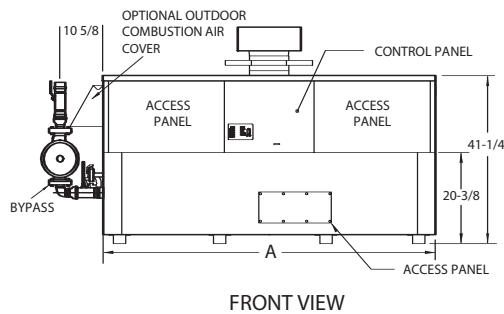
* Without pump

MODEL	GAS	ELEVATION (feet)	PART NUMBER	SHIPPING WEIGHT (LBS)	LIST PRICE
P 992B	Natural	0-5000	011986	1075	\$26,092
P 1262B	Natural	0-5000	011987	1130	\$28,428
P 1532B	Natural	0-5000	011988	1330	\$30,405
P 992B	Propane	0-5000	011999	1075	\$26,092
P 1262B	Propane	0-5000	012000	1130	\$28,428
P 1532B	Propane	0-5000	012001	1335	\$30,405



COLD RUN HI DELTA 1802-2342

- Indoor/outdoor installation
- Ultra-low NOx
- 85% thermal efficiency
- Cupro-nickel tubes
- Bronze headers
- Top or back venting
- Sealed combustion chamber
- Only one inch installation clearance needed
- Stackable without increased footprint
- Small vent sizes
- Front-mounted bronze pump



Model	Input MBTUH	Output MBTUH	Firing Stages	A Width	H NPT	K	T	W	Amp. Draw*	Shipping Wt. (Lbs.)
1802B	1800	1530	4	91-1/8"	2-1/2"	14"	10"	28-1/8"	<12	1535
2002B	1999	1699	4	102-1/2"	2-1/2"	14"	10"	31-15/16"	<12	1670
2072B	2070	1760	4	102-1/2"	2-1/2"	14"	10"	31-15/16"	<12	1670
2342B	2340	1989	4	113-7/8"	2-1/2"	16"	10"	35-11/16"	<12	1730

* Without pump

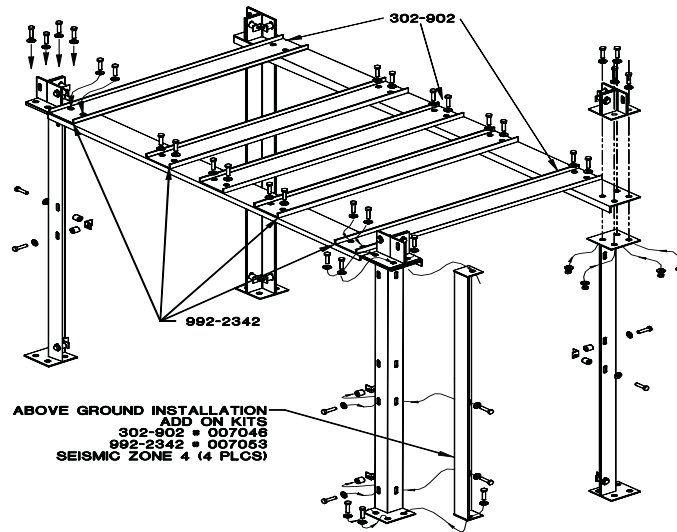
MODEL	GAS	ELEVATION (feet)	PART NUMBER	SHIPPING WEIGHT (LBS)	LIST PRICE
P 1802B	Natural	0-5000	011989	1535	\$32,242
WHP 2002B	Natural	0-5000	011990	1670	\$37,514
WHP 2072B	Natural	0-5000	012547	1670	\$37,514
WHP 2342B	Natural	0-5000	012548	1730	\$41,345
P 1802B	Propane	0-5000	012002	1535	\$32,242
WHP 2072B	Propane	0-5000	012549	1670	\$37,514
WHP 2342B	Propane	0-5000	012550	1730	\$41,345

HI DELTA SURE RACK KIT

- Two-boiler vertical stack
- No vent offset required
- Small footprint
- Low ceiling height
- Heavy-duty construction
- Easy assembly
- All hardware included
- Still allows for complete servicing



COMMERCIAL



HI DELTA RACK KIT					
OPTION #	X-1		X-2		X-3
	KIT-SURE RACK (2 Boilers)		KIT-ADD ON Add to Stand Rack price		Bracket Restraint
MODEL	PART NUMBER	LIST PRICE	PART NUMBER	LIST PRICE	P/N & NET PRICE
302	006906	\$1,665	011919	\$374	P/N 008136 \$736
402	006907	\$1,887			
502	006908	\$1,893			
652	006909	\$1,925			
752	006910	\$1,940			
902	006911	\$1,987	011920	\$393	P/N 008147 \$797
992	011563	\$2,032			
1262	011564	\$2,090			
1532	011565	\$2,145			
1802	011566	\$2,310			
2002	011567	\$2,795			
2072	011567	\$2,795			
2342	011568	\$2,888			

X-4				INFORMATION	
MODEL	RACK EXTENSION	P/N	LIST PRICE	GROUND LEVEL	ABOVE GROUND
302-902	8"	S03610	\$401	STANDARD X-1	ADD X-2 KIT
992-2342	8"	S03514	\$412		

HIGH EFFICIENCY CHX/HI DELTA SYSTEM INSTRUCTIONS FOR PRICING AND SELECTION

COMMERCIAL

1. Determine the system that suits your requirements. See pages 43 to 48.
2. List prices on page 41 do not include boilers, boiler options or boiler rack.
3. The system pricing includes the parts as listed on the drawings on page 43 to 48. Items supplied will have option numbers. Items without option numbers are not included in the pricing matrix.
4. If you do not want Raypak to supply certain items or power vents please order by the system number and note any deducts on your purchase order.
5. Any of the systems listed can utilize PVC/CPVC piping as long as the system complies with the criteria listed in Table 1 page 42. If you do select PVC/CPVC piping you must add a special high limit for each unit. See page 42 table 1 note section for pricing.
6. FOR CONFIGURATIONS OTHER THAN THE FOLLOWING PLEASE CONTACT YOUR DISTRICT SALES MANAGER.

THE FOLLOWING STATEMENT IS FOR SYSTEM'S# HDCHX 1, 2, 3, 5, 7, & 9

7. **All of the fixed-speed systems can be used when you direct vent the combustion air from the outside but you must have openings in the wall that will provide the proper quantity of excess air to operate the barometric damper. (Half of total area of combustion air requirements.)**

Example: 1 Square inch of net free area per 4000 BTUH of input. This opening must commence within twelve inches of top of room.

System HDCHX1: When selecting this system you must have room air for ventilation and combustion air. See comment #6 above. The Power Vent can be mounted either as shown or as near the ceiling as possible. All flue piping above the power vent must be Category IV. Connecting piping will not be provided.

System HDCHX2: The same instructions as shown on System HDCHX1 above.

System HDCHX3: The same instructions as shown on System HDCHX1 above.

System HDCHX4: This system is designed to be used when you direct vent the combustion air from the outside. A wall opening that communicates directly with the outdoors is required for ventilation air in accordance with the Hi Delta Installation and Operating Manual. The installation will have no inside air to operate the unit and must have a variablespeed extractor provided by the installer. The extractor may be installed either vertically or horizontally.

System HDCHX5: A fixed-speed extractor provided by the installer must be used with the barometric damper. The extractor may be installed either vertically or horizontally.

System HDCHX6: The same instructions as shown on System HDCHX4 above.

System HDCHX7: The same instructions as shown on System HDCHX5 above.

System HDCHX8: The same instructions as shown on System HDCHX4 above.

System HDCHX9: The same instructions as shown on System HDCHX5 above.

CONSULT FACTORY IF OUTDOOR INSTALLATION.

HI DELTA CHX PRICE SHEET

COMMERCIAL

Hi Delta Model #	Power Vent			Dia	CHX Model #	CHX* Part #	Price	Baro Damper		Termination Cap	
	D-2							D-12		D-15	
	Part No.	Dia	Price					Part #	Price	Part #	Price
402B/502B	009511	8"	\$2,176	6"	500-6	010782	\$6,598	009518	\$178	006644	\$148
652B	009511	8"	\$2,176	8"	500-8	009484	\$6,598	009519	\$211	006646	\$169
752B/902B	009511	8"	\$2,176	8"	750-8	010783	\$7,919	009519	\$211	006646	\$169
992B	009512	10"	\$2,850	10"	1000-10	010784	\$9,238	009520	\$345	006650	\$172
1262B	009512	10"	\$2,850	12"	1000-12	009485	\$9,238	009521	\$461	007989	\$372
1532B	009512	10"	\$2,850	12"	1500-12	010785	\$11,877	009521	\$461	007989	\$372
1802B-2002B	009512	10"	\$2,850	14"	1500-14	009486	\$11,877	009522	\$505	007002	\$373

Hi-Delta Model #	Dia	Baro. tee Adapter (Cat IV)		Termination Adapter		Flue Exhaust Elbow		Barometric Tee		Male Adapter (Category IV)	
		D-18		D-19		D-24		D-26		D-27	
		Part No.	Price	Part No.	Price	Part No.	Price	Part No.	Price	Part No.	Price
402B/502B	6"	007005	\$89	007015	\$71	009513	\$288	009530	\$152	009560	\$127
652B	8"	007006	\$102	007016	\$102	009514	\$374	009531	\$174	009561	\$204
752B/902B	8"	007006	\$102	007016	\$102	009514	\$374	009531	\$174	009561	\$204
992B	10"	007007	\$156	007017	\$167	009515	\$559	009532	\$270	009562	\$175
1262B	12"	007008	\$187	007018	\$173	009516	\$693	009533	\$354	009563	\$204
1532B	12"	007008	\$187	007018	\$173	009516	\$693	009533	\$354	009563	\$204
1802B-2002B	14"	007009	\$206	007019	\$202	009517	\$773	009534	\$417	009564	\$316

Hi-Delta Model #	Dia	Female Adapter (Cat IV)		Flue Exhaust Extension		CHX Rack Kit Tall		CHX & Rack Kit		Silicone Tube 10 oz.	
		D-28		D-29		X-5		X-6		Z-11	
		Part No.	Price	Part No.	Price	Part No.	Price	Part No.	Price	Part No.	Price
402B/502B	6"	009565	\$175	009535	\$148	009528	\$1,892	011640	\$6,777	005755F	\$61
652B	8"	009575	\$187	009536	\$207	009528	\$1,892	011641	\$6,777	005755F	\$61
752B/902B	8"	009566	\$264	009536	\$207	009528	\$1,892	011642	\$8,099	005755F	\$61
992B	10"	009567	\$337	009537	\$667	009905	\$1,988	011643	\$9,417	005755F	\$61
1262B	12"	009568	\$350	009538	\$734	009905	\$1,988	011644	\$9,417	005755F	\$61
1532B	12"	009576	\$350	009538	\$734	009905	\$1,988	011645	\$12,057	005755F	\$61
1802B-2002B	14"	009569	\$406	009539	\$905	009905	\$1,988	011646	\$12,057	005755F	\$61

* CHX kits supplied with extra weights for Barometric Damper.

The following systems include parts listed above and supplied by Raypak. For a list of the exact contents, refer to drawings indicated by the system number. If there is an item that you do not want Raypak to provide, use the pricing below and show the deduction on your purchase order.

SYSTEM #	HDCHX-1	HDCHX-2	HDCHX-3	HDCHX-4	HDCHX-5	HDCHX-6	HDCHX-7	HDCHX-8	HDCHX-9
402B/502B	\$11,954	\$9,953	\$21,767	\$9,230	\$9,559	\$7,229	\$7,558	\$16,319	\$16,977
652B	\$12,250	\$10,163	\$22,246	\$9,418	\$9,803	\$7,331	\$7,716	\$16,582	\$17,352
752B/902B	\$13,648	\$11,562	\$25,043	\$10,816	\$11,201	\$8,730	\$9,115	\$19,379	\$20,149
992B	\$16,318	\$13,950	\$30,376	\$12,514	\$13,129	\$10,146	\$10,761	\$22,768	\$23,998
1262B	\$16,931	\$14,429	\$31,401	\$12,721	\$13,536	\$10,219	\$11,034	\$22,981	\$24,611
1532B	\$19,570	\$17,069	\$36,680	\$15,360	\$16,175	\$12,859	\$13,674	\$28,260	\$29,890
1802B-2002B	\$19,974	\$17,393	\$37,499	\$15,627	\$16,549	\$13,046	\$13,989	\$28,805	\$30,649

HI DELTA CHX VENTING OPTIONS

Table I - Hi Delta/CHX Venting Options

Maximum Inlet Water Temperature to CHX	Extractor		Power Venter
	Fixed-Speed, Roof-Mtd. w/Barometric Damper. Cat/Mat	Variable-speed, Roof-Mtd. NO Barometric Damper. Cat/Mat	Wall- or Ceiling-Mtd. w/Barometric Damper. Cat/Mat
Up to 100 F e.g.: Pool, Heat Pump	Cat I / CPVC or "B" Vent	Cat IV / PVC	Cat I / CPVC or "B" Vent

NOTE: Venting selection of PVC, add I-9, P/N 007074 listed below.
Venting selection of CPVC, add I-10, P/N 007075 listed below.

COMMERCIAL

MODEL	DESCRIPTION	PART NUMBER	SHIPPING WEIGHT (LBS)	LIST PRICE
I-9: HIGH LIMIT	PVC High Temperature	007074		\$127
I-10: HIGH LIMIT	CPVC High Temperature	007075		\$127

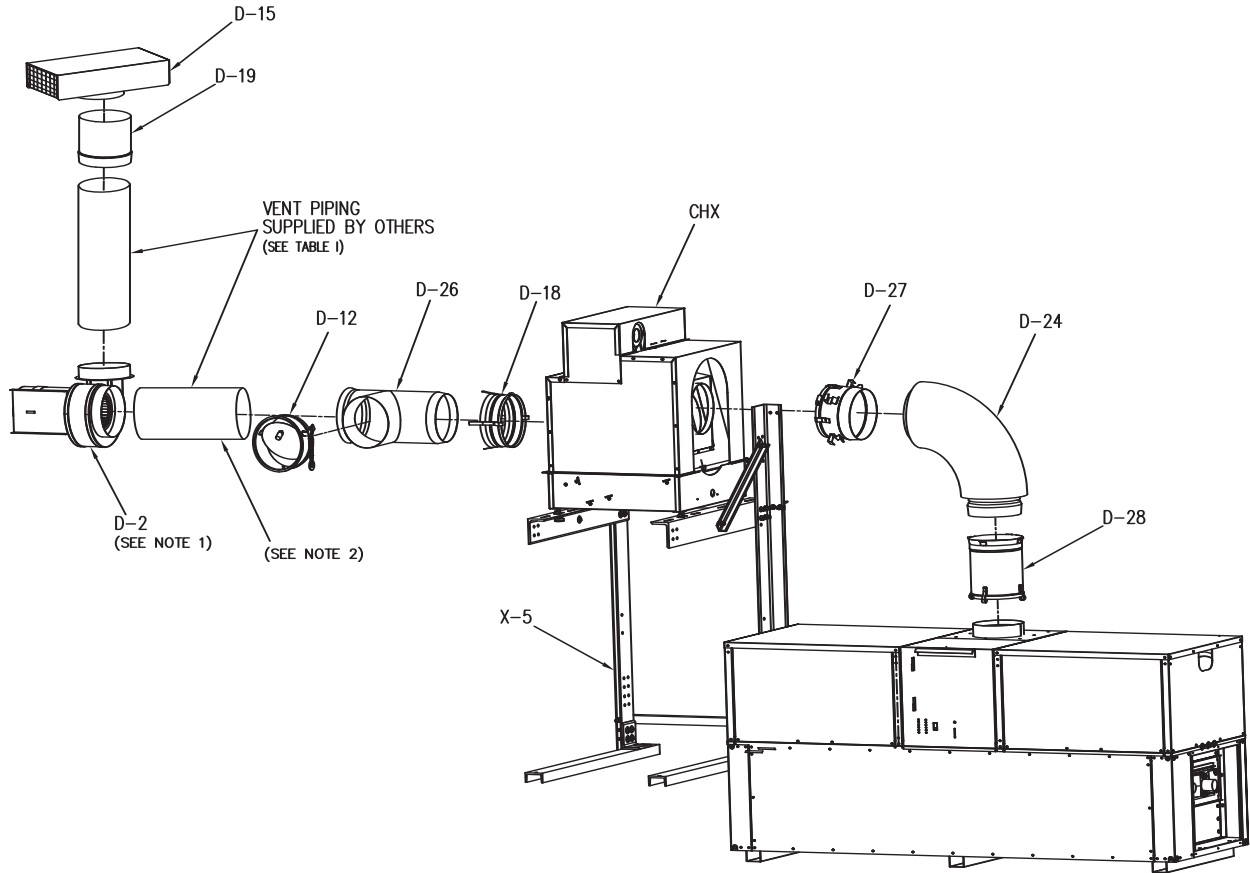
Table II - Power Venter/Extractor Sizing Chart

Hi Delta Model #	CHX Model #	Barometric Damper Diameter	Fixed Speed with Barometric Dampers				Variable Speed Extractors	
			Power Venter	Extractors			Tjernlund Model VSAD	Exhausto Model CASV
			Tjernlund Model HS	Tjernlund Model FSAD	Exhausto Model RSV	Fields Model SWG		
402B	500-6	8"	4	8 or 10	14 or 200	8,10	8	14 or 200
502B	500-6	8"	4	10	16 or 250	10	8	14 or 200
652B	500-8	8"	4	10	16 or 250	10	8	14 or 200
752B	750-8	8"	4	10	16 or 250	10	8	16 or 200
902B	750-8	8"	4	10	250	10	8	200 or 250
992B	1000-10	10"	5	10 or 12	250 or 315	10	8	250
1262B	1000-12	12"	5	12	315	12	8	250
1532B	1500-12	12"	5	12	315	12	8	250
1802B	1500-14	14"	5	12	315	14	8	250
2002B	1500-14	14"	5	12	315	14	10	315

NOTES:

1. All fans are sized to include 100 EQ ft of vent.
2. Variable speed extractor sizing does not include dilution air through a barometric damper.
3. Raypak only offers Tjernlund HS series Power Venters.
4. Raypak does not supply extractors or other types of power venters.
5. All options require an extractor or power venter to overcome the pressure drop through the CHX.

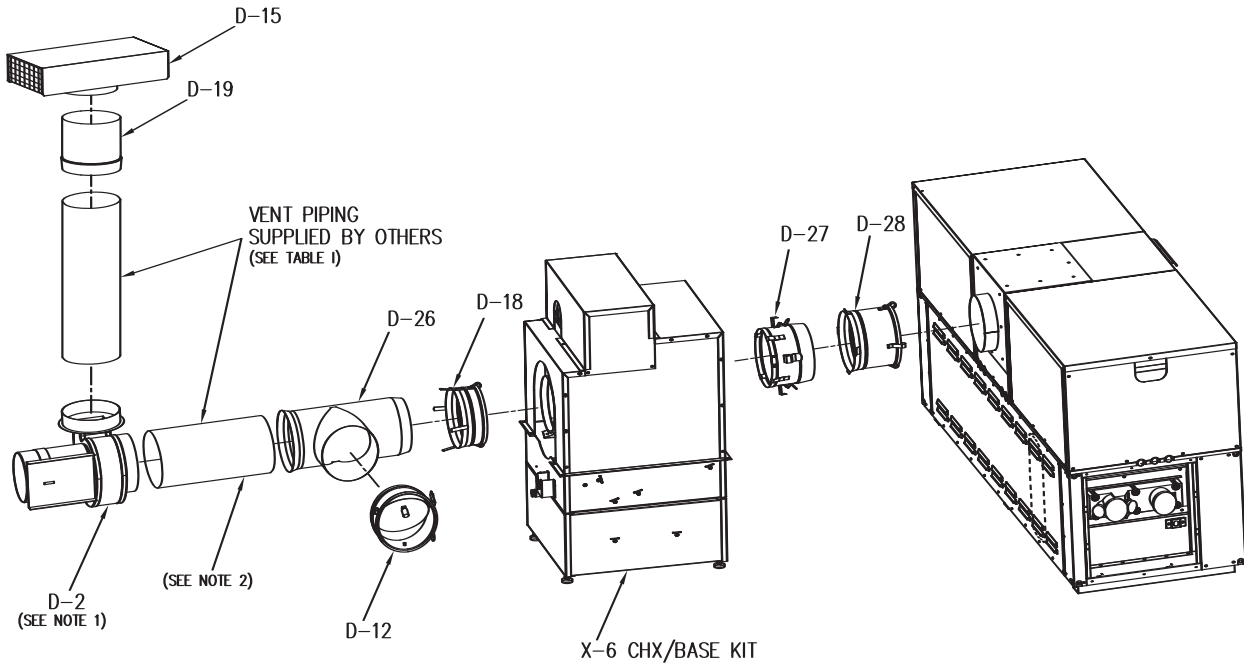
FIGURE 1
CHX Top Mounted w/Power Venter



NOTES:

1. Field supplied transition adapter may be required.
2. Lockable balancing or blast baffle may be required between baromatic damper and power venter/extractor to control excess draft.
3. See page 42, Table 1 to determine vent category.

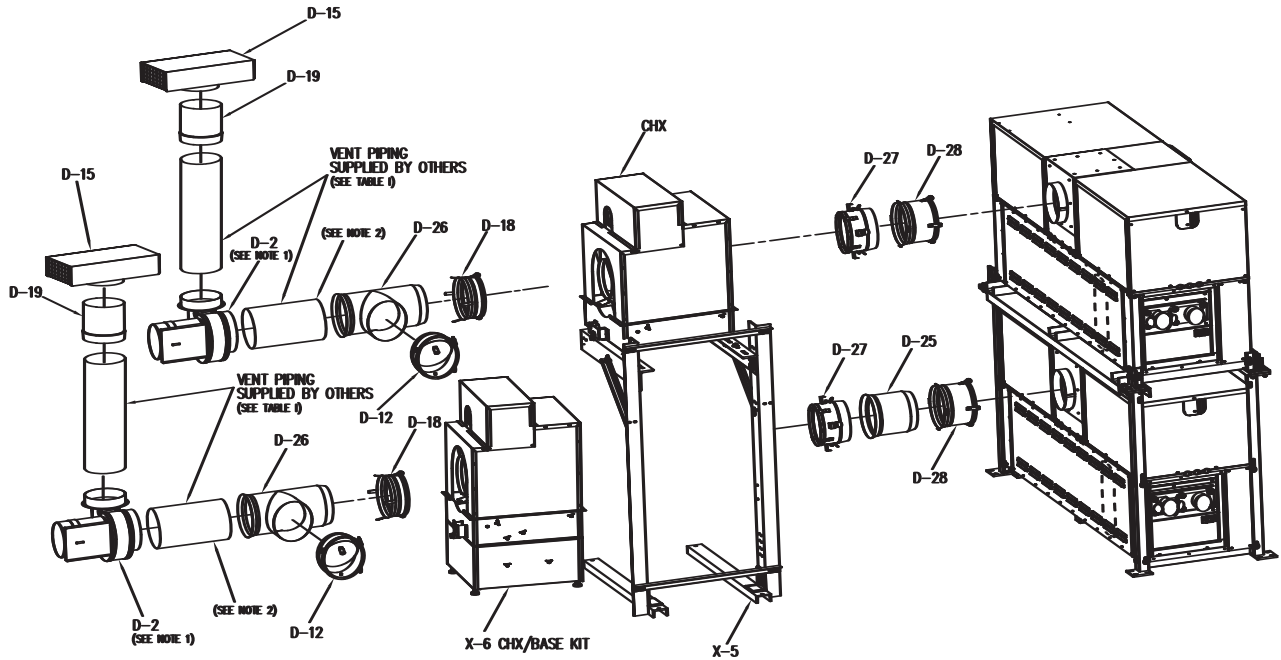
FIGURE 2
CHX Rear Mounted w/Power Venter



NOTES:

1. Field supplied transition adapter may be required.
2. Lockable balancing or blast baffle may be required between baromatic damper and power venter/extractor to control excess draft.
3. See page 42, Table 1 to determine vent category.
4. D-14 must be ordered with heater.

FIGURE 3
CHX Stacked Rear Mounted w/Power Venter

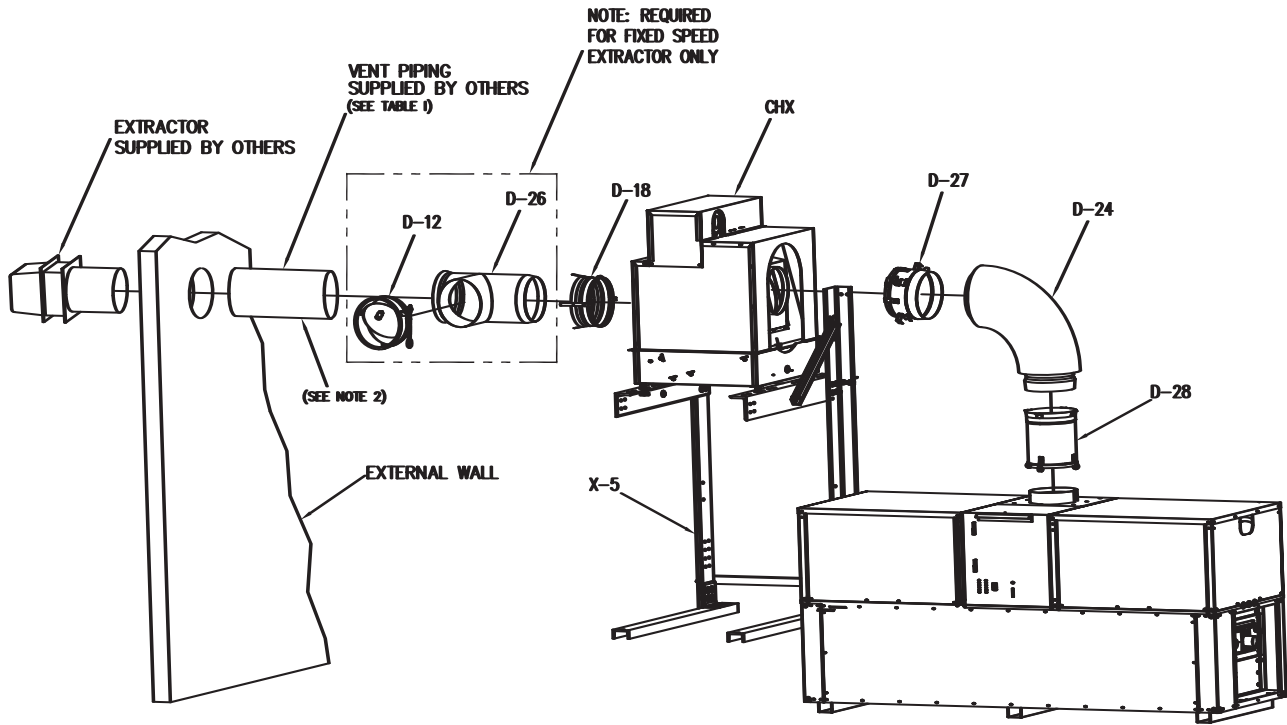


NOTES:

1. Field supplied transition adapter may be required.
2. Lockable balancing or blast baffle may be required between baromatic damper and power venter/extractor to control excess draft.
3. See page 42, Table 1 to determine vent category.
4. D-14 must be ordered with heater.

HI DELTA CHX SYSTEM # HDCHX4, SYSTEM # HDCHX5

FIGURE 4
CHX Top Mounted w/Extractor
System #HDCHX4 - Variable Speed Extractor
System #HDCHX5 - Fixed Speed Extractor

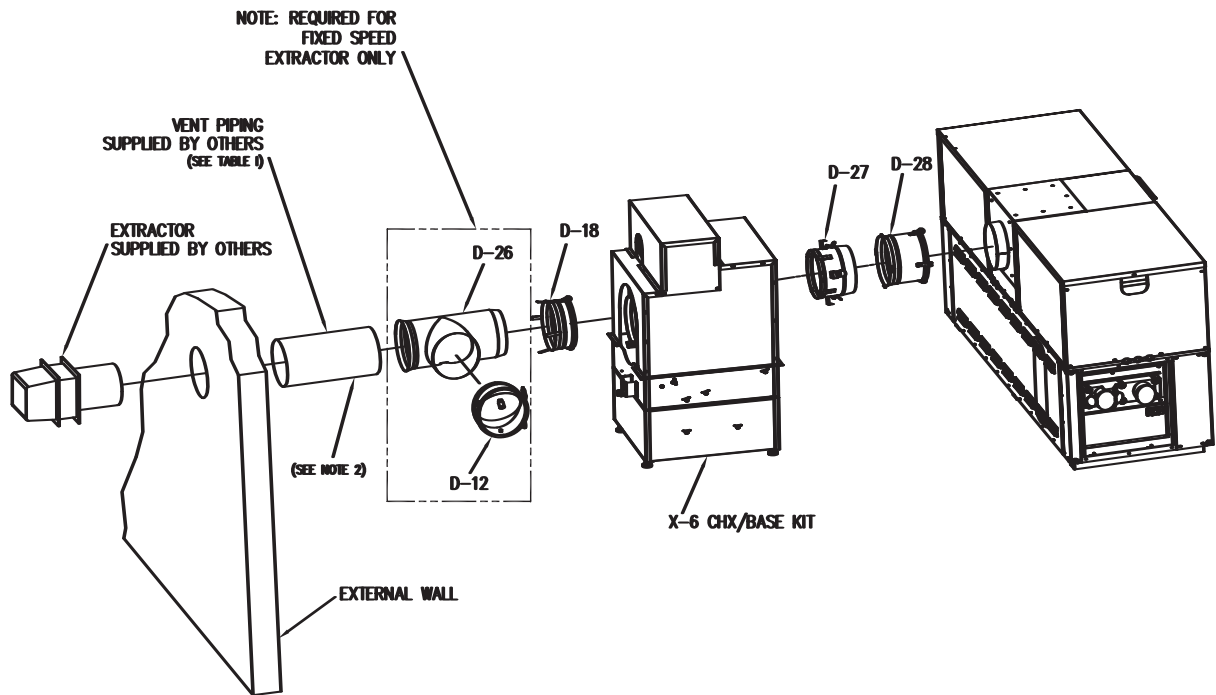


NOTES:

1. Field supplied transition adapter may be required.
2. Lockable balancing or blast baffle may be required between baromatic damper and power venter/extractor to control excess draft.
3. See page 42, Table 1 to determine vent category.
4. Extractors may be installed vertically or horizontally.
5. Extractors supplied by others.

HI DELTA CHX SYSTEM # HDCHX6, SYSTEM # HDCHX7

FIGURE 5
CHX Rear Mounted w/Extractor
System #HDCHX6 - Variable Speed Extractor
System #HDCHX7 - Fixed Speed Extractor

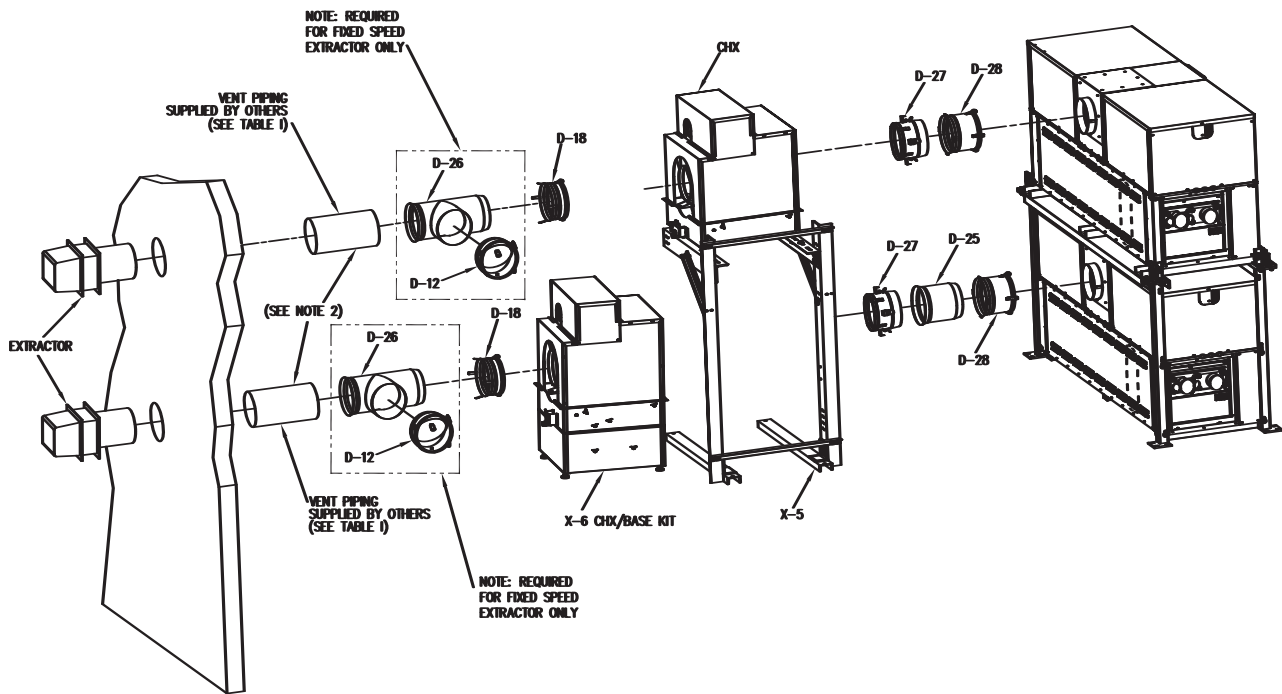


NOTES:

1. Field supplied transition adapter may be required.
2. Lockable balancing or blast baffle may be required between baromatic damper and power venter/extractor to control excess draft.
3. See page 42, Table 1 to determine vent category.
4. Extractors may be installed vertically or horizontally.
5. Extractors supplied by others.
6. D-14 must be ordered with heater.

HI DELTA CHX SYSTEM # HDCHX8, SYSTEM # HDCHX9

FIGURE 6
CHX Stacked Rear Mounted w/Extractor
 System #HDCHX8 - Variable Speed Extractor
 System #HDCHX9 - Fixed Speed Extractor



NOTES:

1. Field supplied transition adapter may be required.
2. Lockable balancing or blast baffle may be required between baromatic damper and power venter/extractor to control excess draft.
3. See page 42, Table 1 to determine vent category.
4. Extractors may be installed vertically or horizontally.
5. Extractors supplied by others.
6. D-14 must be ordered with heater.

COMMERCIAL

HI DELTA OPTIONS

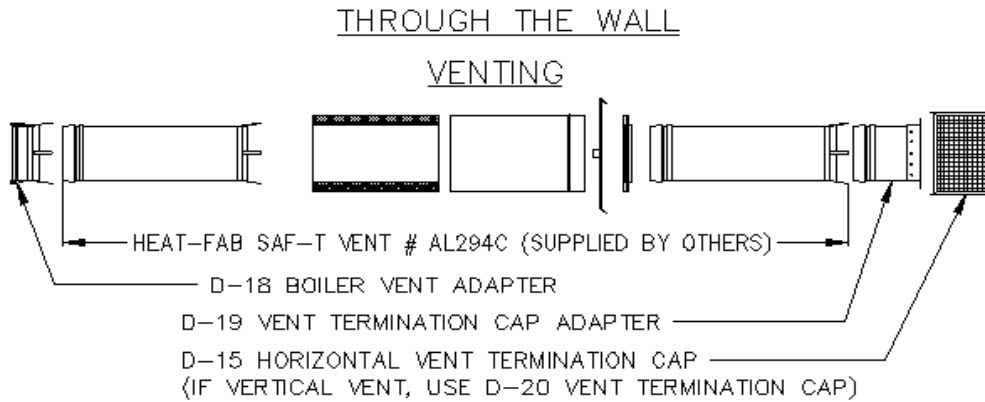
MODEL	DESCRIPTION	PART NUMBER	SHIPPING WEIGHT (LBS)	LIST PRICE
A-6: RIGHT-HAND WATER				
P 302B-2342B		069056		\$273
C-6: LOCKOUT IGNITION MODULE - MANUAL RESET				
P 302B-1262B		069305		\$64
P 1532B-2342B		069306		\$108
D-11: OUTDOOR TOP				
P 302B	5"	010793	15	\$143
P 402B/502B	6"	010794	15	\$158
P 652B/752B/902B	8"	010795	17	\$198
P 992B	10"	010796	20	\$296
P 1262B/1532B	12"	010797	20	\$338
P 1802B/2002B/2072B	14"	010798	25	\$472
P 2342B	16"	010799	25	\$569
NOTE: Includes an intake, vent hood and flow switch cover for outdoor units.				
D-12: BAROMETRIC DAMPER W/O THERMAL SWITCH - Single Acting				
P 302B	5"	920325	3	\$147
P 402B/502B	6"	920142	7	\$177
P 652B/752B/902B	8"	920144	4	\$211
P 992B	10"	920146	7	\$345
P 1262B/1532B	12"	920147	12	\$461
P 1802B/2002B/2072B	14"	920148	15	\$504
P 2342B	16"	920149	25	\$732
D-14: FLUE EXHAUST TEE BACK OUTLET - MOUNTED				
P 302B	5"	073597		\$205
P 402B/502B	6"	073598		\$205
P 652B/752B/902B	8"	073599		\$217
P 992B	10"	073600		\$341
P 1262B/1532B	12"	073601		\$379
P 1802B/2002B/2072B	14"	073602		\$482
P 2342B	16"	073603		\$546
D-15: VENT TERMINATION CAP - Horizontal installation (CATEGORY III OR IV)				
P 302B	5"	007000	9	\$147
P 402B/502B	6"	006644	6	\$148
P 652B/752B/902B	8"	006646	13	\$169
P 992B	10"	006650	10	\$172
P 1262B/1532B	12"	007989	15	\$372
P 1802B/2002B/2072B	14"	007002	36	\$373
P 2342B	16"	007003	33	\$374
D-16: AIR INTAKE ELBOW - 90° with screen				
P 302B/902B	6"	006997	3	\$41
P 992B-2342B	10"	006999	5	\$69
D-17: INLINE AIR INTAKE FILTER - Required only when TruSeal is used				
P 302B/902B	6"	006926	10	\$99
P 992B-2342B	10"	006928	10	\$106

HI DELTA OPTIONS

COMMERCIAL

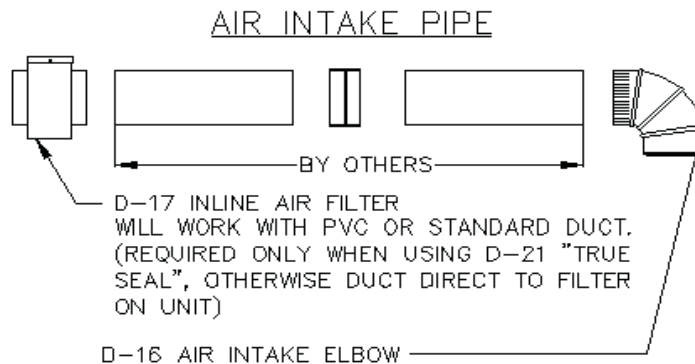
MODEL	DESCRIPTION	PART NUMBER	SHIPPING WEIGHT (LBS)	LIST PRICE
D-18: VENT ADAPTER (CATEGORY III & IV)				
FOR USE WITH HEAT-FAB SAF-T VENT #AL294C SINGLE & DOUBLE WALL VENT				
P 302B	5"	007004	1	\$79
P 402B/502B	6"	007005	6	\$89
P 652B/752B/902B	8"	007006	2	\$102
P 992B	10"	007007	3	\$156
P 1262B/1532B	12"	007008	3	\$187
P 1802B/2002B/2072B	14"	007009	2	\$206
P2342B	16"	007010	2	\$240

D-19: VENT TERMINATION CAP ADAPTER (CATEGORY III & IV)				
FOR USE WITH HEAT-FAB SAF-T VENT #AL294C SINGLE & DOUBLE WALL VENT				
P 302B	5"	007014	2	\$64
P 402B/502B	6"	007015	2	\$71
P 652B/752B/902B	8"	007016	3	\$102
P 992B	10"	007017	2	\$167
P 1262B/1532B	12"	007018	6	\$173
P 1802B/2002B/2072B	14"	007019	3	\$202
P 2342B	16"	007020	2	\$219



NOTES:

- ADAPTERS GOOD FOR SINGLE WALL OR DOUBLE WALL VENT.
- CATEGORY III AND IV.



HI DELTA OPTIONS

MODEL	DESCRIPTION	PART NUMBER	SHIPPING WEIGHT (LBS)	LIST PRICE
D-20: VENT TERMINATION CAP - VERTICAL (CATEGORY I) - use on units w/o condensing HE				
P 302B	5"	010801	3	\$105
P 402B/502B	6"	010802	6	\$136
P 652B/752B/902B	8"	010803	7	\$175
P 992B	10"	010804	8	\$245
P 1262B/1532B	12"	010805	9	\$284
P 1802B/2002B/2072B	14"	010806	10	\$414
P 2342B	16"	010807	15	\$489

D-21: TruSeal™ AIR INTAKE SYSTEM - Must also use D-17, Inline Air Filter

P 302B, 402B	Right Side only	072411		\$442
P 502B	Left Side	073768		\$471
P 502B	Right Side	073769		\$471
P 652B-902B	Left Side	072412		\$471
P 652B-902B	Right Side	072413		\$504
P 992B	Left Side	073331		\$713
P 992B	Right Side	073332		\$713
P 1262B	Left Side	072501		\$713
P 1262B	Right Side	072535		\$713
P 1532B-1802B	Left Side	072502		\$792
P 1532B-1802B	Right Side	072536		\$792
WHP 2002B-2342B	Right Side only	072503		\$889

Notes:

1. Required to meet ANSI direct vent verification.
2. Must utilize Inline Air Intake Filter (D-17) if indoor unit.
3. Air intake is standard on the left side. Raypak will switch sides if you order right hand TruSeal.
4. See diagram on page 50.

E-5: ALARM CENTER

P 302B-2342B	3" BELL	072371		\$448
P 302B-2342B	4" BELL	072372		\$756

F-10: LOW WATER CUTOFF - REMOTE TYPE

P 302B-2342B	MANUAL RESET			\$423
--------------	--------------	--	--	-------

G: CODE CONTROLS

G-1: CSD-1 CODE CONTROLS	P 302B-402B	COMPLIES
	P 502B-902	\$879
	P 992B-1262B	\$466
	P 1532B-2342B	\$933
G-4: ILLINOIS SCHOOL CODE (BOCA)	P 302B-2342B	\$423
G-7: NEW MEXICO CODE	P 302B-2342B	See G-1, CSD-1
G-8: WASHINGTON STATE CODE	P 302B-2342B	See G-1, CSD-1
G-9: KENTUCKY CODE CONTROLS	P 302B-2342B	COMPLIES
G-12: CALIFORNIA CODE CONTROLS	P 302B-2342B	\$423

Note: As of the 2004 Edition of CSD-1, ANSI Z21.56 pool heaters are specifically exempted from CSD-1. Not all states have adopted the 2004 revision.

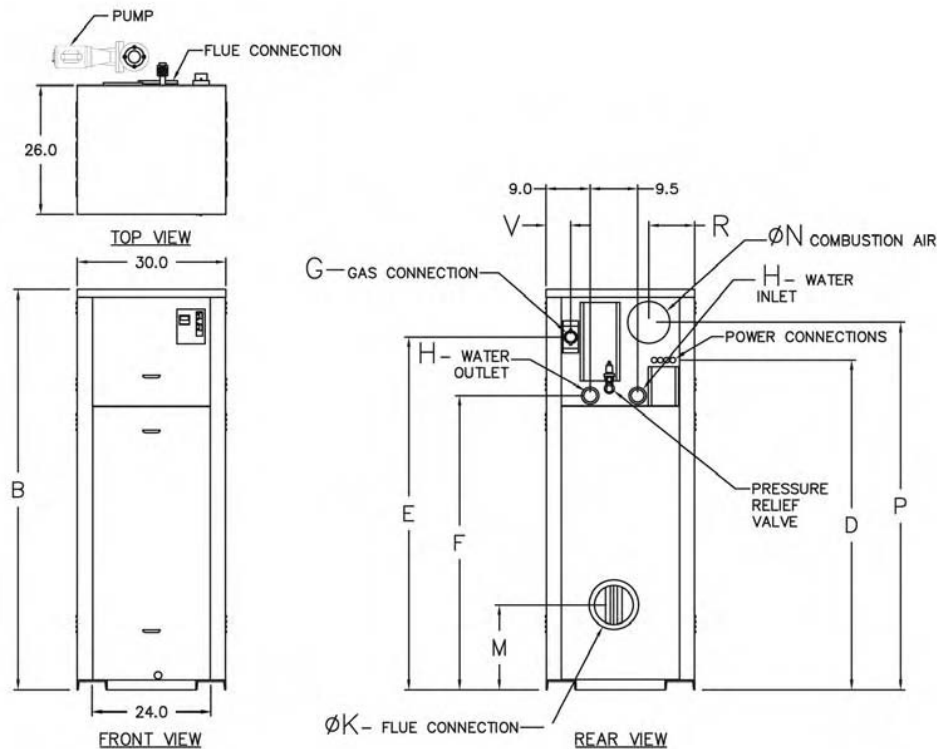
HI DELTA OPTIONS

COMMERCIAL

MODEL	DESCRIPTION	PART NUMBER	SHIPPING WEIGHT (LBS)	LIST PRICE
G-20: LOW GAS PRESSURE SUPPLY				
P 302B				N/C
P 402B				\$132
P 502B				N/C
P 652B				\$263
P 752B				\$263
P 902B				N/C
P 992B				\$54
P 1262B				\$76
P 1532B				\$109
P 1802B				\$109
WHP 2002/2072B				\$136
WHP 2342B				\$136
I-6: TEMPERATURE LIMITING CONTROL - MAX 100 °F				
652B-2342B		006040		\$286
M-1: SAFETY VALVES, MOTORIZED				
P 302B-992B				\$1,595
P 1262B-2342B				\$1,728
M-10: SAFETY VALVES, SOLENOID				
P 302B-992B				\$871
P 1262B-2342B				\$1001
S-1: GAS PRESSURE SWITCH - LOW				
P 302B-902B				\$412
P 992B-2342B		STANDARD		
S-2: GAS PRESSURE SWITCH - HIGH				
P 302B-1262B				\$412
P 1532B-2342B	(Requires 2)			\$824

MVB 504, 754, 1104, 1504, 2004

- 85% efficiency
- Low NOx
- Compact footprint 5-1/2 FT²
- Fan-assisted combustion design
- Indoor/outdoor installation
- Cupro-nickel fin tubes
- Bronze headers
- Non-ferrous bypass assembly
- Bronze pump
- CAT I - if vented vertically



* Shown without H-bypass

DIMENSIONS ARE IN INCHES.

Model	MBTUH		B	D	E	F	G NPT	H NPT	K Flue ø	M	N C/A ø	P	R	V	Foot Print	MVB Amp	System Pump (included)		
	Input	Output															Model	HP	Amps
504	500	420	43	30	35	23-3/4	1	2	8	14-1/8	6	36	6	2	5.4	12	1611	1/4	6
754	750	630	49	36	41	29-3/4	1	2	10	16	6	42	6	2	5.4	12	1630	1/2	7
1104	1045	888	55	43	47	35-3/4	1-1/4	2-1/2	10	16	6	49	6	2	5.4	12	1630	1/2	7
1504	1425	1211	61	50	53	41-3/4	1-1/4	2-1/2	12	18-1/8	6	53	6	2	5.4	12	1634	1	14
2004	1900	1615	75	61	65	53-3/4	2	2-1/2	14	20-1/8	9	69	9	5	5.4	18	1636	1-1/2	22

MODEL	GAS	ELEVATION (feet)	PART NUMBER	SHIPPING WEIGHT (LBS)	LIST PRICE
P 504	Natural	0-4500	012239	600	\$19,442
P 754	Natural	0-4500	012240	660	\$19,967
P 1104	Natural	0-4500	012241	720	\$24,848
P 1504	Natural	0-4500	012242	780	\$28,446
P 2004	Natural	0-4500	012243	940	\$32,971
P 504	Propane	0-4500	012244	600	\$19,442
P 754	Propane	0-4500	012245	660	\$19,967
P 1104	Propane	0-4500	012246	720	\$24,848
P 1504	Propane	0-4500	012247	780	\$28,446
P 2004	Propane	0-4500	012248	940	\$32,971

List price does not include Vent Termination Cap or Air Filter.

For Parts See Page 216

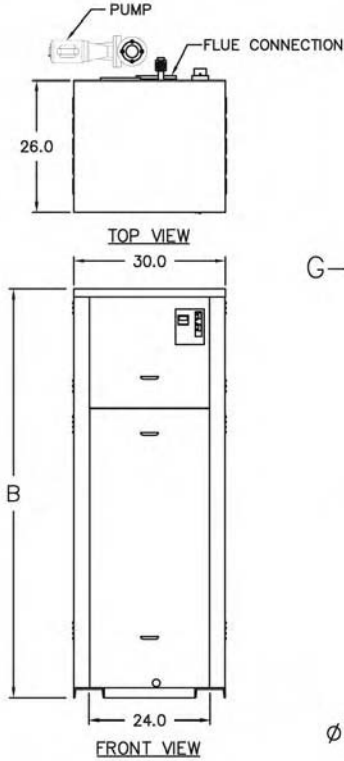
COMMERCIAL



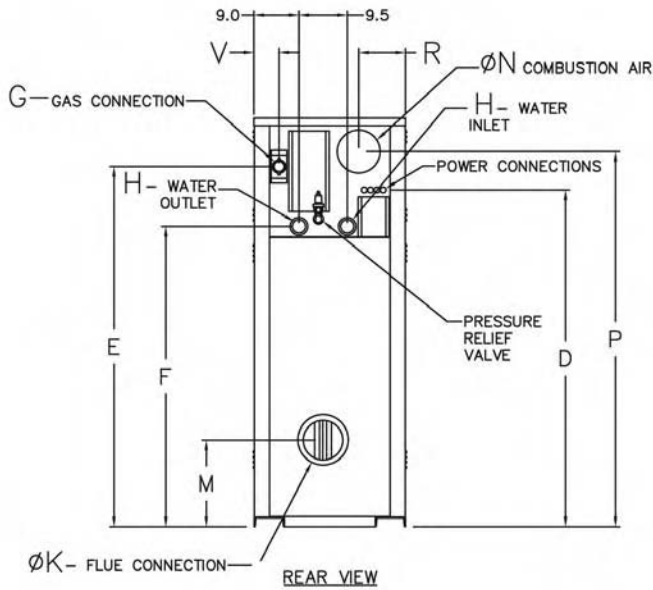
COLD RUN MVB 504, 754, 1104, 1504, 2004

- 85% efficiency
- Low NOx
- Compact footprint 5-1/2 FT²
- Fan-assisted combustion design
- Indoor/outdoor installation
- Cupro-nickel fin tubes
- Bronze headers
- Non-ferrous bypass assembly
- Bronze pump
- CAT I -if vented vertically

COMMERCIAL



Cold Run - Built in condensation protection. Variable speed pump automatically adjusts inlet water temp to prevent condensation.



Injector Pump (included)			
Model	Taco #	HP	Volts 3 phase
504	1911	1/4	208/230
754	1911	1/3	208/230
1104	1911	1/3	208/230
1504	1911	1/3	208/230
2004	1935	3/4	208/230

* Shown without H-bypass
Cold Run Controller requires two power inputs, 120VAC/1 Phase and 208/230 VAC 1 Phase.

DIMENSIONS ARE IN INCHES.

Model	MBTUH		B	D	E	F	G NPT	H NPT	K Flue ø	M	N C/A ø	P	R	V	Foot Print	MVB Amp
	Input	Output														
504	500	420	43	30	35	23-3/4	1	2	8	14-1/8	6	36	6	2	5.4	12
754	750	630	49	36	41	29-3/4	1	2	10	16	6	42	6	2	5.4	12
1104	1045	888	55	43	47	35-3/4	1-1/4	2-1/2	10	16	6	49	6	2	5.4	12
1504	1425	1211	61	50	53	41-3/4	1-1/4	2-1/2	12	18-1/8	6	53	6	2	5.4	12
2004	1900	1615	75	61	65	53-3/4	2	2-1/2	14	20-1/8	9	69	9	5	5.4	18

System Pump (included)		
Taco #	HP	Amps
1611	1/4	6
1611	1/4	7
1630	1/2	7
1634	1	14
1636	1-1/2	22

MODEL	GAS	ELEVATION (feet)	PART NUMBER	SHIPPING WEIGHT (LBS)	LIST PRICE
P 504	Natural	0-4500	012480	750	\$23,001
P 754	Natural	0-4500	012481	800	\$23,526
P 1104	Natural	0-4500	012482	850	\$28,396
P 1504	Natural	0-4500	012483	950	\$31,994
P 2004	Natural	0-4500	012484	1050	\$36,966
P 504	Propane	0-4500	012485	750	\$23,001
P 754	Propane	0-4500	012486	800	\$23,526
P 1104	Propane	0-4500	012487	850	\$28,396
P 1504	Propane	0-4500	012488	950	\$31,994
P 2004	Propane	0-4500	012489	1050	\$36,966

List price does not include Vent Termination Cap or Air Filter.

MVB OPTIONS

MODEL	DESCRIPTION	PART NUMBER	SHIPPING WEIGHT (LBS)	LIST PRICE
C-6: LOCKOUT IGNITION MODULE - SINGLE TRY MANUAL RESET				
P504-2004		074525	30	\$64
D-11: OUTDOOR TOP				
P504		011895	30	\$214
P754-1104		012285	35	\$254
P1504		012286	15	\$294
P2004		012287	37	\$443
D-15: VENT TERMINATION CAP				
P504	8"	006646	13	\$169
P754-1104	10"	006650	10	\$172
P1504	12"	007989	15	\$372
P2004	14"	007002	36	\$373
D-17: AIR INTAKE FILTER-PREMIUM				
P504-1104	6"	012460	10	\$99
P1504-2004	8"	012461	11	\$100
D-18: VENT ADAPTER (CATEGORY III & IV)				
P504		007006	2	\$102
P754-1104		007007	3	\$156
P1504		007008	3	\$187
P2004		007009	2	\$206
D-19: VENT TERMINATION CAP (CATEGORY III & IV)				
P504		007016	3	\$102
P754-1104		007017	4	\$167
P1504		007018	6	\$173
P2004		007019	3	\$202
D-20: VENT TERMINATION CAP - VERTICAL (CATEGORY I) - use on units w/o condensing HE				
P504	8"	010803	4	\$175
P754-1104	10"	010804	8	\$245
P1504	12"	010805	8	\$284
P2004	14"	010806	10	\$414
D-23: FLUE SUPPORT BRACKETS				
P504-1104		012185	15	\$160
P1504-2004		012186	10	\$204
E-5: ALARM CENTER				
P504-2004	3" BELL	MOUNTED		\$590
P504-2004	4" BELL	MOUNTED		\$897
E-11: DRY CONTACT				
P504-2004	REMOTE ALARM	MOUNTED		\$303
F-10: LOW WATER CUTOFF - REMOTE TYPE				
P504-2004	MANUAL RESET			\$423

MVB OPTIONS

COMMERCIAL

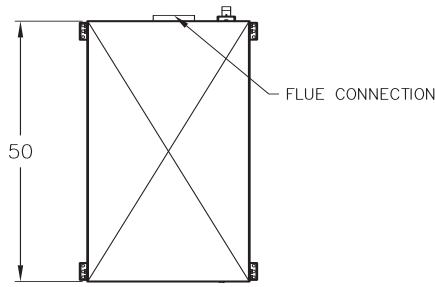
MODEL	DESCRIPTION	PART NUMBER	SHIPPING WEIGHT (LBS)	LIST PRICE
G: CODE CONTROLS -Consult local authorities for all code requirements				
G-1: CSD-1/GE GAP		P504-WHP2004		\$825
G-2: VENT VALVE COMBO		P504-WHP2004		\$2,975
G-4: ILLINOIS SCHOOL		P504-WHP2004		USE F-10
G-7: NEW MEXICO CODE CONTROLS		P504-WHP2004		\$1,110
G-8: WASHINGTON STATE CODE		P504-WHP2004		\$1,110
G-10: POST OFFICE		P504-WHP2004		\$825
G-12: CALIFORNIA CODE CONTROLS		P504-WHP2004		\$423
I-6: TEMPERATURE LIMITING - Max 100 °F				
P 504-2004	SHIPPED LOOSE	006040		\$191
M-1: SAFETY VALVES, MOTORIZED				
P 504-754				\$1,595
P 1104-1504				\$1,728
P 2004				\$1,811
M-10: SAFETY VALVES, SOLENOID				
P 504-754				\$871
P 1104-1504				\$1,001
P 2004				\$1,250
M-15: VENT VALVE				
P 504-2004				\$1,005
S-1: LOW GAS PRESSURE SWITCHES				
P 504-2004				\$412
S-2: HIGH GAS PRESSURE SWITCHES - MANUAL RESET				
P 504-2004				\$412
S-3: HIGH GAS PRESSURE SWITCHES - MANUAL RESET				
P 504-2004				\$690
Y-241: CONTROLLER - 4 STAGE - LOOSE				
P 504-2004	FIELD INSTALLED	008397	21	\$2,265
Y-281: CONTROLLER - 8 STAGE - LOOSE				
P 504-2004	FIELD INSTALLED	008398	25	\$2,497
Y-300: 3" BELL REMOTE				
P 504-2004		008752	8	\$325
Y-301: 4" BELL REMOTE				
P 504-2004		008753	10	\$657



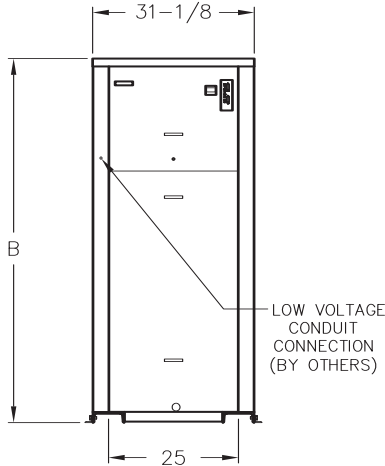
XTHERM - TYPE WHP 1005 - 2005

- 97% efficiency
- Low NOx
- Compact footprint >11 FT²
- Fan-assisted combustion design
- Indoor/outdoor installation
- On Board Diagnostics
- Cupro-nickel fin tubes-primary
- Stainless Steel-secondary
- Bronze headers
- Built-in Cold Water Run
- Bronze pump
- CAT I -if vented vertically

COMMERCIAL

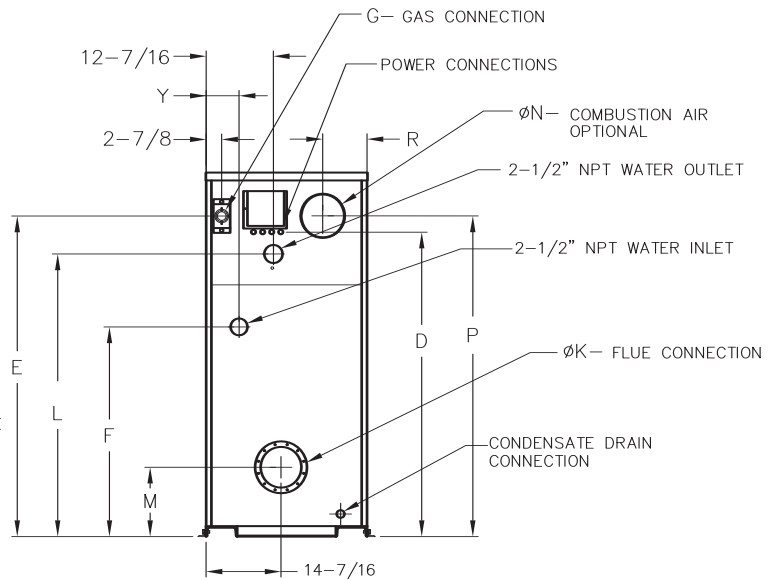


TOP VIEW



FRONT VIEW

Model (WHP-)	RATES OF FLOW (GPM)			
	Maximum Flow		Minimum Flow	
	GPM	DT (°F)	GPM	DT (°F)
1005	113	17	47	40
1505	113	25	71	40
2005	116	33	95	40



REAR VIEW

Model	MBTUH		Dimensions (in.)													Amp Draw		Ship Wt. (Lbs.)
	Input	Output	B Height	D	E	F	G* NPT	K Flue ø	L	M	N C/A ø	P	R	Y	Heater w/pump	Pump		
1005	999	969	55-1/8	45	47-1/8	36-1/2	1-1/4	6	40-1/16	11-1/2	6	47-1/8	8-1/16	6-1/16	22	1/2 - 7	1065	
1505	1500	1145	67-1/8	57	59-1/16	38-1/2	1-1/4	8	52-1/16	12-5/8	8	59-1/8	8-3/16	6-1/16	26	3/4 - 11	1234	
2005	1999	1939	81-1/8	71	71-3/16	38-1/2	2	8	64-1/16	12-5/8	8	73-1/8	8-3/16	6-1/4	35	1 - 14	1461	

MODEL	GAS	ELEVATION (feet)	PART NUMBER	SHIPPING WEIGHT (LBS)	LIST PRICE
WHP 1005	Natural	0-4500	012653	1065	\$37,422
WHP 1505	Natural	0-4500	012654	1234	\$41,081
WHP 2005	Natural	0-4500	012655	1461	\$50,499
WHP 1005	Propane	0-4500	012656	1065	\$37,422
WHP 1505	Propane	0-4500	012657	1234	\$41,081
WHP 2005	Propane	0-4500	012658	1461	\$50,499

Note: List price does not include Vent Termination Cap or Well Assy.

XTHERM POOL HEATER OPTIONS

COMMERCIAL

MODEL	DESCRIPTION	PART NUMBER	SHIPPING WEIGHT (LBS)	LIST PRICE
B-31: WELL ASSEMBLY				
P504-2004	Loose and Separate	011932	5	\$27
Note: This well assembly can be used with the system sensor				
B-36 / 38: TEMP-TRACKER MOD+ CONTROLLERS				
B-36 WHP1005	Up to four units	011922	7	\$2,436
B-36 WHP1005	Up to ten units	012923	8	\$5,069
B-36 WHP1005	Up to 16 units	012924	18	\$7,702
Notes: 1. B-36 is the basic unit. B-37 is the basic unit plus one expansion module. B-38 is the basic unit plus two expansion modules.				
2. B-36, 37 and 38 include two sensors and include lead/lag				
C-6: LOCKOUT IGNITION MODULE - SINGLE TRY MANUAL RESET				
WHP1005 / 2005	Mounted	074525	1	\$64
Note: Three Try standard				
D-11: OUTDOOR VENT CAP				
WHP1005		011894	22	\$203
WHP 1505/2005		011895	30	\$214
D-15: SIDEWALL VENT TERMINATION CAP				
WHP1005	6"	006644	6	\$148
WHP1505/2005	8"	006646	13	\$169
Note: Use for horizontal venting only				
D-18: VENT ADAPTER				
WHP1005		007005	6	\$89
WHP1505/2005		007006	8	\$102
D-19: FLUE TERMINATION CAP ADAPTER				
WHP1005		007015	2	\$71
WHP1505/2005		007016	2	\$102
D-23: FLUE SUPPORT BRACKETS (Outdoor Only)				
WHP1005 / 2005		012185	15	\$160
E-5: ALARM CENTER				
WHP1005	3" BELL MOUNTED			\$590
WHP1505/2005	4" BELL MOUNTED			\$897
F-10: LOW WATER CUTOFF - REMOTE TYPE				
WHP1005/2005	MANUAL RESET			\$423
Note: Manual Rest, Test Button, Test Indicator Light on Circuit Board				

XTHERM POOL HEATER OPTIONS

MODEL	DESCRIPTION	PART NUMBER	SHIPPING WEIGHT (LBS)	LIST PRICE
G: CODE CONTROLS -Consult local authorities for all code requirements				
G-1:	CSD-1/GE GAP	WHP1005 / 2005		\$825
G-2:	VENT VALVE COMBO	WHP1005 / 1505		\$3,253
G-2:	VENT VALVE COMBO	WHP 2005		\$3,502
G-4:	ILLINOIS SCHOOL	WHP1005 / 2005		USE F-10
G-7:	NEW MEXICO CODE CONTROLS	WHP1005 / 2005		\$1,110
G-8:	WASHINGTON STATE CODE	WHP1005 / 2005		\$1,110
G-10:	POST OFFICE	WHP1005 / 2005		\$825
G-12:	CALIFORNIA CODE CONTROLS	WHP1005 / 2005		\$423
G-15:	CSD-1 GIELD UPGRADE	WHP1005 / 2005		\$824
M-1: SAFETY VALVES, MOTORIZED MOUNTED				
	WHP1005 / 1505			\$1,728
	WHP2005			\$1,811
M-10: SAFETY VALVES, SOLENOID MOUNTED				
	WHP1005 / 1505			\$1,001
	WHP2005			\$1,250
M-15: VENT VALVE				
	WHP1005 / 2005			
	Note: Must use M1 or M10 with this option			\$1,005
S-1: LOW GAS PRESSURE SWITCHES				
				\$254
S-2: HIGH GAS PRESSURE SWITCHES				
				\$233
S-3: LOW WATER PRESSURE SWITCHES				
				\$690
Y-241: CONTROLLER - 4 STAGE - LOOSE				
	FIELD INSTALLED	008397	21	\$2,265
Y-281: CONTROLLER - 8 STAGE - LOOSE				
	FIELD INSTALLED	008398	25	\$2,497
Y-300: 3" BELL REMOTE				
		008752	8	\$325
Y-301: 4" BELL REMOTE				
		008753	10	\$657
Z-9: THERMOMETER				
	BRASS 1/2" VERTICAL	067538		\$87
Z-12: CONDENSATE NEUTRALIZER				
	WHP1505	012664		\$370
	WHP1505 / 2005	012665		\$447

COMMERCIAL