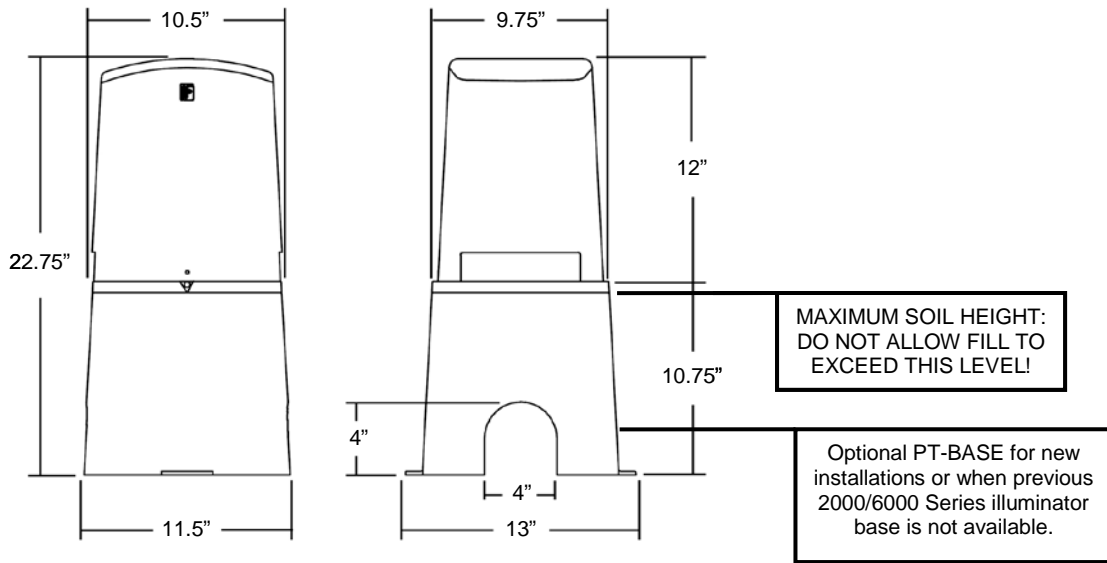




# PT-6000 Power Tower

## INSTALLATION MANUAL



### SPECIFICATIONS

#### ELECTRICAL

Input Voltage required: 125VAC 60Hz  
 Power consumption: 62 Watts max  
 Output Voltage 12.0VAC 60Hz, (2x) 30 watts max

#### CONSTRUCTION

Case: High Impact Polycarbonate  
 Acoustic rating: 0dB(A)  
 Weight: 12 lbs.  
 Ambient Temp: 40°C +10/-40

**WARNING: DO NOT INSTALL WITHIN 1.5M (5 FT.) OF A POOL, SPA, OR HOT TUB.**  
**ADVERTISSEMENT: NE PAS INSTALLER A MOINS DE 1,5M D'UNE PISCINE OU D'UNE CUVE DE RELAXATION.**



SAVE THESE INSTRUCTIONS!

## IMPORTANT SAFETY INFORMATION

Basic safety precautions should be observed when operating the WIR-TRAN, PAL product and other associated equipment.

1. A qualified electrician must install the PT-6000, PAL in accordance to the National and Local Electrical Codes.
2. The PT-6000, PAL must not be less than 5 feet (3 meters in Canada) from inside edge of pool. **ONLY USE COPPER CONDUCTORS.**
3. Do not exceed the maximum ratings of individual components, wiring devices, and current carrying capacity of conductors.
4. For the bonding, grounding, installing, and wiring of underwater lights to the PT-6000, PAL refer to Article 680 of the National Electrical Code or Article 68 of the Canadian Electrical Code.
5. This device should never operate equipment that could cause property damage, bodily injury, or death should it be activated unexpectedly.
6. Never allow children to operate the PT-6000, PAL unsupervised.

## FCC WARNING

1. This device complies with Part 15 of the FCC Rules. Operation is subject to the following two conditions: (1) this device may not cause harmful interference, and (2) this device must accept any interference received, including interference that may cause undesired operation.
2. Changes or modifications not expressly approved by Fiberstars Inc. could void the user's authority to operate the equipment.

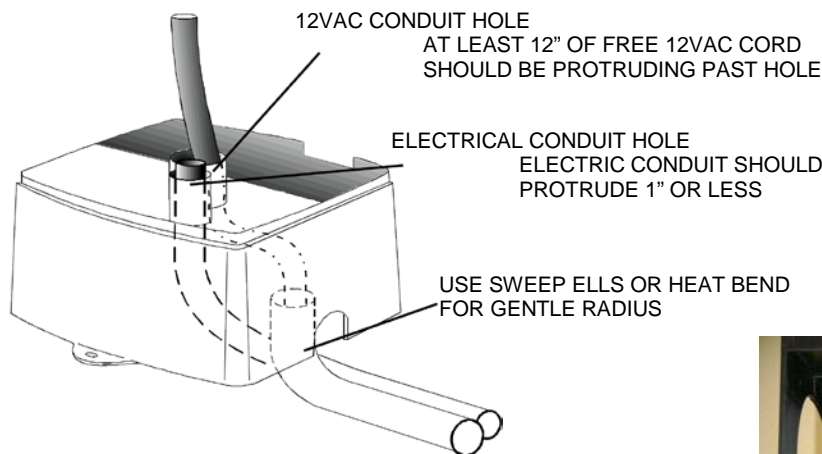
### ELECTRICAL RATINGS

Do not exceed the maximum electrical ratings of the PT-6000, PAL. Install a 5A 125VAC Circuit Breaker for PT-6000 Input. Each of the PT-6000 Low Voltage lighting circuits (x2) are rated for 2.5A 12VAC Max.

# INSTALLATION GUIDELINES

## REFER TO THE DIAGRAM ON THE FRONT OF THIS MANUAL FOR THE FOLLOWING PROCEDURES

- 1) Appropriate watertight conduit material should be used at each light location in the pool. This manual covers the PT-6000 Power Tower installation only.
- 2) Cut the 12vac line conduits so they will enter the installation base approximately halfway. Cut the 125vac electrical supply conduit so it will protrude past the conduit hole 1" or less (fig A). Pull all 12vac low voltage cables at least 12" through the top of the installation base.
- 3) Place the chassis on the installation base (from previous installation or purchase of optional part PT-BASE). Secure the illuminator with the two screws supplied. Strip back 12vac device wires 1/4" - 3/8" and connect to appropriate output channel.
- 4) Make the 125vac electric supply connections as shown on fig. B, this page -or- fig C, page 5. Make sure no wires interfere with each other.
- 5) Make sure that both 3-position switches are in the off (middle) position (fig C.). Replace top cover and secure with the two supplied screws.
- 6) A) if installing in the ground:  
Backfill halfway up the installation base. Allow ample height for top soil and landscaping. Do not allow the vents on the bottom of the illuminator to be blocked. This may cause the PT-6000 to overheat.  
B) if surface mounting:  
Use proper securing screws for the surface type you are attaching to, using the 2 holes provided on the base. Example: for concrete, use proper concrete screws. For wood surface, use proper wood screws.



**FIG A.**  
Optional Part  
PT-Base



**FIG B.**

The PT-6000 Power Tower can fit on existing Fiberstars 2000/2000-AS & 6000/6000-AS Series Fiber Illuminator bases when used as a retrofit 12vac power source for PAL and Color Light Stream product families. If a new base is required, please purchase part # PT-BASE from your local Fiberstars Distributor or Service Center.

**The PT-6000 Power Tower may be used in a 'Stand-Alone' or 'Auto Synch' (with external switching control) configuration environment. Only the operation and input wiring will change as described below.**

### **Stand-Alone Environment & Operation**

The PT-6000 input will be connected to un-switched line voltage (through NEC appropriate breakers) and can be operated manually by the on board, 3-position switches or the included hand held remote control.

#### Manual Operation

Each channel is operated by its own 3-position switch. To turn on, move the appropriate power channel switch to the upper, on position. To turn off, move the appropriate power channel switch to the middle, off position.

#### Remote On/Off Operation

Move the appropriate power channel switch to the lower, remote position and use the hand held remote to toggle the switch on and off.

#### Remote Sync Operation

The Sync button will allow both channel 1 & 2 switches to be toggled on/off simultaneously. This is useful when color synchronizing similar 12v products between channels 1 & 2.

---

### **'Auto Synch' Environment & Operation**

Typical 'Auto Synch' installations with two or more fiber illuminators used two externally controlled relays to provide two, switched, 120VAC hot circuits – one to control the 'main power' to the illuminators (in parallel) and the other to connect to the color wheel 'brown wire' controls (in parallel). In this environment, multiple PT-6000 units will need to be connected to a single, externally switched/controlled, 120V hot circuit. Both 12VAC output channels of each PT-6000 will be controlled by the 120V input power.

The PT-6000 input will be connected to externally switched/controlled 120VAC line voltage (through NEC appropriate breakers). The on board, 3-position switches will need to be in the up/on position only. ***The remote control transmitter and receiver will be disabled and unused.*** The second external relay may be re-assigned or disabled at the installers' discretion.

# ELECTRICAL CONNECTIONS

Fig C.

## PT-6000 Power Tower

### TOGGLE SWITCH POSITIONS

Channel #1

Channel #2

#### MANUAL CONTROL

Channel #1 ON      Channel #2 ON

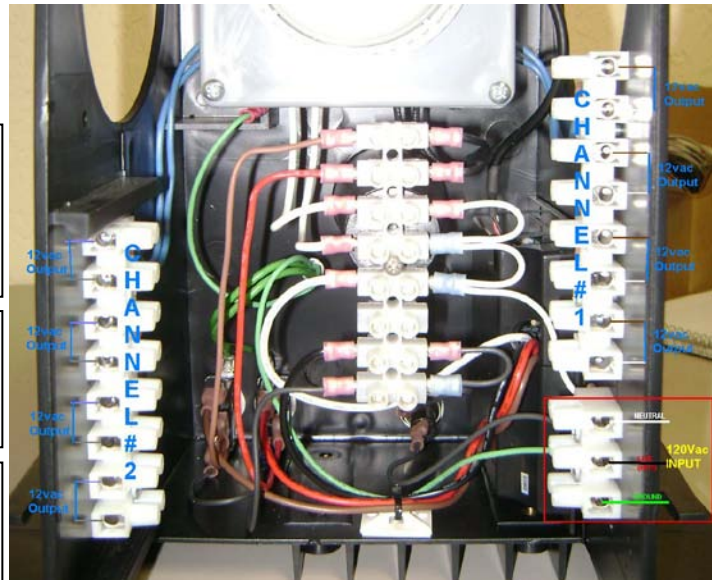
Channel #1 OFF      Channel #2 OFF

#### Channel #1 AUTO CONTROL

Channel #1 REMOTE      Channel #2 ON

#### Channel #2 AUTO CONTROL

Channel #1 OFF      Channel #2 REMOTE



FOR 12V LOW VOLTAGE LIGHTING SYSTEMS ONLY!

## Terminal Description for Stand-Alone Environment

Each terminal block is dedicated to a particular input or output section as follows:

### Power Input Terminals

White = GFCI protected neutral  
Black = GFCI protected 125VAC hot  
Green = Ground

***GFCI protected power must be provided to the PT-6000.***

### 12V Power Output Channel #1, 30W maximum

Each output terminal pair is designated for one 12VAC device (hot & neutral) connection. Four positions are provided but you may only connect as many 12VAC devices as the cumulative wattage consumption of 30W or less will allow for each output channel. ***Do not exceed 30W load on this channel !!***

### 12V Power Output Channel #2, 30W maximum

Each output terminal pair is designated for one 12VAC device (hot & neutral) connection. Four positions are provided but you may only connect as many 12VAC devices as the cumulative wattage consumption of 30W or less will allow for each output channel. ***Do not exceed 30W load on this channel !!***

## Terminal Description for 'Auto Synch' Environment

Each terminal block is dedicated to a particular input or output section as follows:

### Power Input Terminals

White = GFCI protected neutral

Black = Externally switched, GFCI protected 125VAC hot

Green = Ground

***GFCI protected power must be provided to the PT-6000.***

### 12V Power Output Channel #1, 30W maximum

Each output terminal pair is designated for one 12VAC device (hot & neutral) connection. Four positions are provided but you may only connect as many 12VAC devices as the cumulative wattage consumption of 30W or less will allow for each output channel. ***Do not exceed 30W load on this channel !!***

### 12V Power Output Channel #2, 30W maximum

Each output terminal pair is designated for one 12VAC device (hot & neutral) connection. Four positions are provided but you may only connect as many 12VAC devices as the cumulative wattage consumption of 30W or less will allow for each output channel. ***Do not exceed 30W load on this channel !!***

---

- Installation Notes -