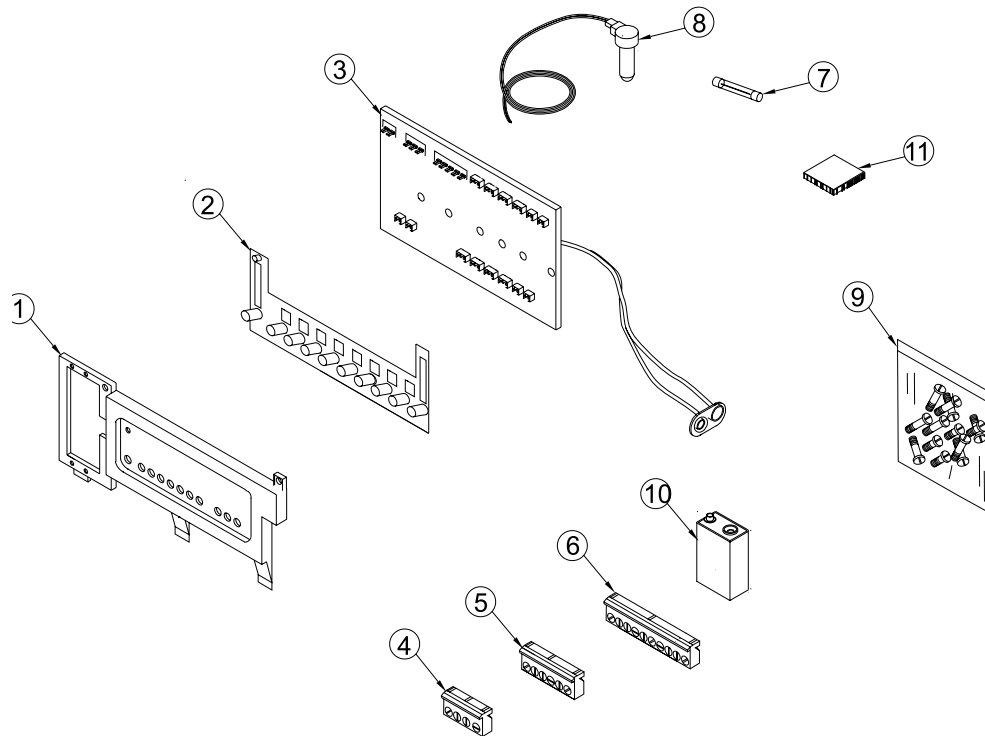


Control Parts

Power Center Printed Circuit Board and Bezel Parts - Low Voltage



Dwg#	Part#	Description	List Price
1	6900	Bezel, Primary Power Center, RS 4, 6, 8, 12, 16, 24, 32 w/decals	\$81.77
1	6901	Bezel, Primary Power Center, RS 2/30, 2/22, 2/14, 2/10, 2/6 Dual w/decals	\$81.77
1	7440	Bezel, Auxiliary Power Center, RS 12, 16, 24, 32, 2/10, 2/14, 2/22, 2/30w/decals	\$135.59
2	6576	Key Pad, RS Power Center	\$54.86
3	7074	PCB REV I Repair Kit, RS Primary Power Center (PPD chip not included)	\$817.65
3	8194	PCB REV J Repair Kit, RS Primary Power Center (PPD chip not included)	\$817.65
3	7306	PCB Repair Kit, RS Auxiliary Power Center w/Micro Controller (chip & removal tool not included)	\$621.00
4	6609	Terminal Bar, 4-Pin, Red	\$21.74
5	6547	Terminal Bar, 6-Pin, Brown	\$19.15
6	6610	Terminal Bar, 10-Pin, Green	\$27.17
7	6658	Fuse, 3.15 Amp	Available Locally
8	7790	Temperature Sensor Kit, Gray (Air/Water/Solar) 15'	\$52.79
9	6847	Screw Kit, PCB Mounting	\$21.74
10	6548	Battery, 9 Volt Alkaline	Available Locally
11	****	PPD's	Refer to AquaLink RS Power Center Software chip list
N/S	3814	Chip, Relay Driver	\$8.24
N/S	4357	Hose Clamp, 2" Stainless Steel	\$8.24
N/S	6781	Decal Set, Auxiliary Equipment Labels	\$13.71
N/S	6842	Cable Clamp, Plastic, Sensor Mount	\$2.85
N/S	6586	Dual Heater Interface Board	\$62.10