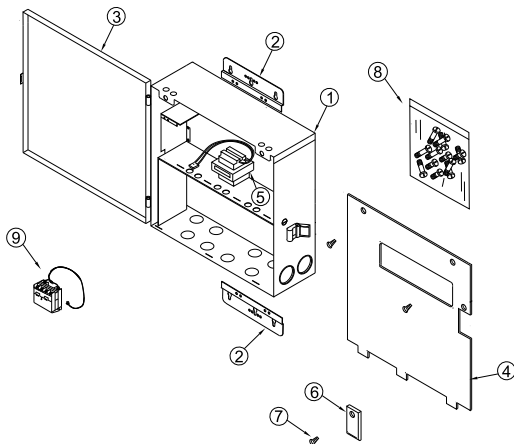
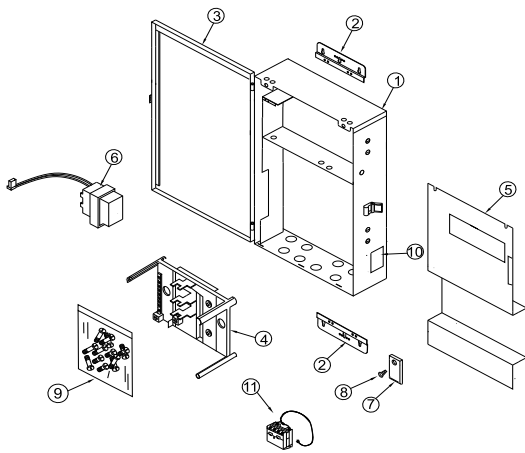


Power Center - Standard Enclosure Part# 6613



| Dwg# | Part# | Description |
|------|---------------------|--|
| 1 | 6613 | Standard Enclosure, RS Power Center |
| 2 | 6567 | Mounting Brackets, RS Power Center |
| 3 | 6563 | Door, Standard Enclosure |
| 4 | 6566 | Faceplate, Standard Enclosure, before 1/08 |
| 4 | NEW R0466900 | Faceplate, Standard Enclosure, with service controller knockout, 10/07 models or later |
| 5 | 6612 | Transformer, 120 VAC/24 VAC |
| 6 | 6721 | Battery Door |
| 7 | 6559 | Screw, RS Battery Door |
| 8 | 6918 | Screw Set, Bezel/Relay Mount |
| 9 | R0658100 | 3HP Relay with Harness |
| n/s | 6967 | Transformer, 240 VAC |

Power Center - Sub Panel Enclosure w/Breaker Mount Plate Part# 6614



| Dwg# | Part# | Description |
|------|---------------------|---|
| 1 | 6614 | Sub Panel Power Center, RS |
| 2 | 6567 | Mounting Brackets, Power Center |
| 3 | 6931 | Door, Sub Panel Power Center, RS |
| 4 | 6929 | Breaker Mount Plate (Intermatic #124T2087A) |
| 5 | 6932 | Faceplate, Sub Panel, before 1/08 |
| 5 | NEW R0467000 | Faceplate, Sub Panel, with service controller knockout, 10/07 models or later |
| 6 | 6612 | Transformer, 120 VAC/24 VAC |
| 7 | 6721 | Battery Door |
| 8 | 6559 | Screw, Battery Door |
| 9 | 6918 | Screw Set, Bezel/Relay mount |
| 10 | 6070 | GFCI Outlet (Optional) |
| 11 | R0658100 | 3HP Relay with Harness |
| n/s | 6967 | Transformer, 240 VAC |

Suitable Listed Breakers (Available Locally)

| Manufacturer | Circuit Breaker | | | | | Filler Plate |
|----------------|-----------------|--------|------|------|-------|--------------|
| | Single | Double | Twin | Quad | GFCB | |
| Cutler-Hammer | BR | BR | BRD | BRD | GFCB | BRFP |
| Murray | MP-T | MP-T | MH-T | MH-T | MP-GT | LX100FP |
| Siemens | QP | QP | QT | QT | QPF | QF3 |
| Square D | HOM | HOM | HOMT | HOMT | HOM | HOMFP |
| Thomas & Betts | TB | TB | TBBD | TBBQ | GFB | FP-1C-TB |