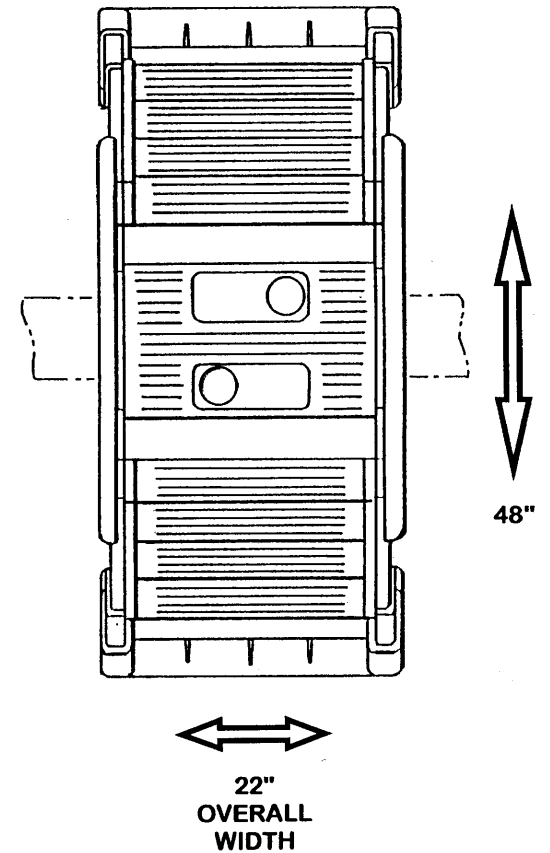
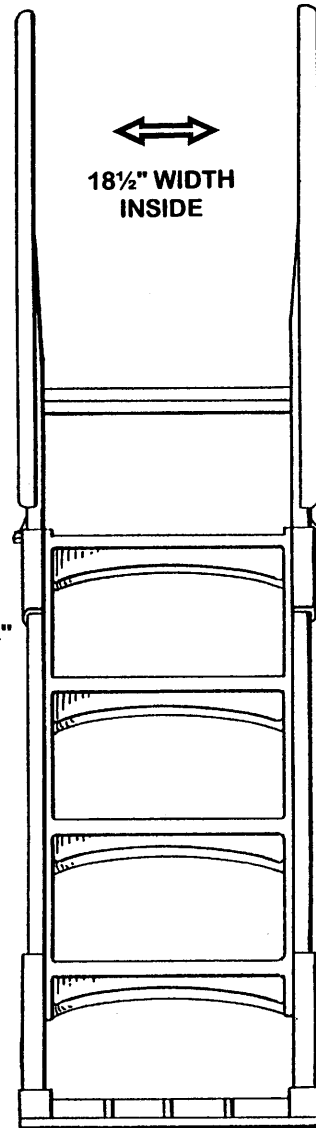
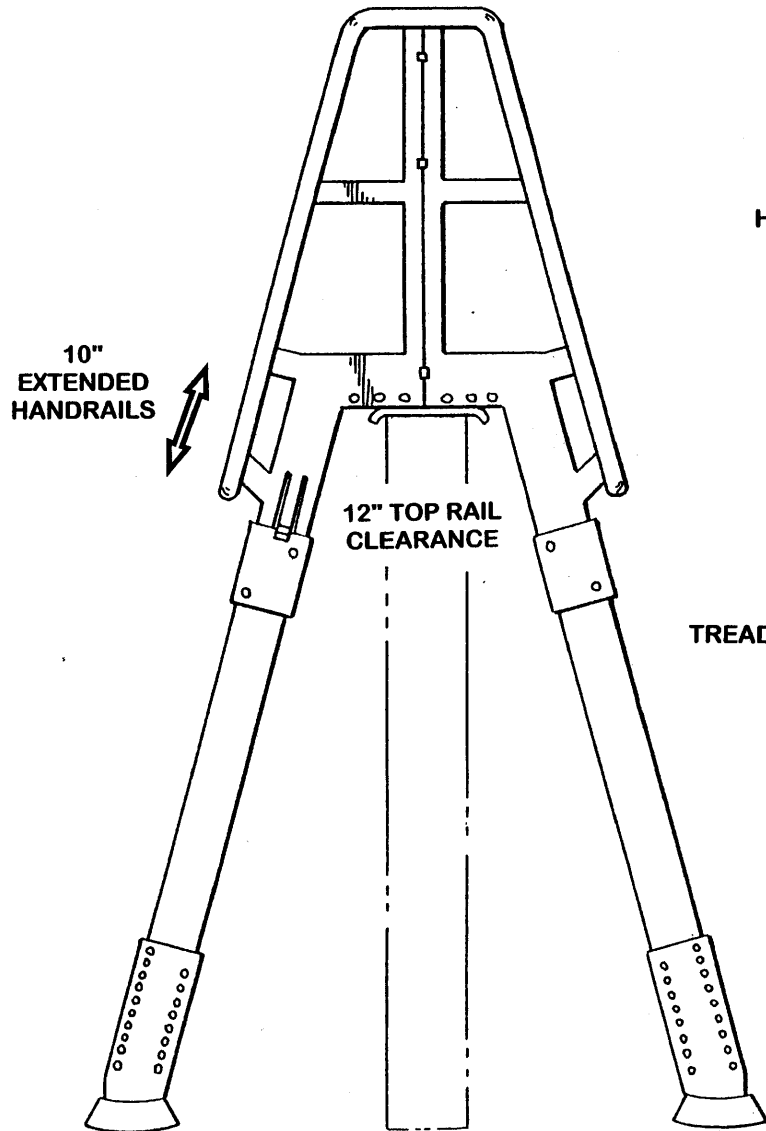


**MODEL SLA "SLIDE-LOCK"  
A-FRAME POOL LADDER**



**ANTI-ENTRAPMENT BARRIER  
INCLUDED BUT NOT SHOWN**