



## IMPORTANT

### OPERATING INSTRUCTIONS MANUAL

### HELPFUL HINTS & TIPS

**MEETS ASTM SAFETY STANDARD FOR POOL ALARMS**



**MODEL PGRM - 2**

**85dB Horn at 10 Feet**

This product has been designed to aid in the detection of unwanted intrusions into unsupervised pools. POOLGUARD IS A SAFETY ALARM SYSTEM AND NOT A LIFE SAVING DEVICE. "This device is not intended to replace any other safety consideration - i.e., adult supervision, lifeguards, fences, gates, pool covers, locks, etc., and some devices may not detect gradual entry."

## GENERAL

POOLGUARD is the result of quality design and manufacturing techniques that are a standard at PBM Industries, Inc.; a company dedicated to high quality products. POOLGUARD is a result of that dedication and we guarantee and stand behind the POOLGUARD alarm system. POOLGUARD pool alarms are verified by ETL to the ASTM safety and performance standard for pool alarms, ASTM F2208.

POOLGUARD is an electronic monitoring system that automatically sounds an alarm when children or pets fall into your unsupervised pool. POOLGUARD is a portable, self-contained, lightweight unit that is safe and simple to operate. Entry into the pool will be detected by the unit's electronic sensor, triggering a loud pulsating alarm and an internal RF transmitter. The remote receiver will receive the transmitted signal and sound an alarm within the home.

## INSPECTION

POOLGUARD is packaged in a shipping carton that minimizes the chance of damage due to handling. Check for damage and confirm that the contents of the carton include the following items:

- POOLGUARD Unit
- Handle
- Remote Receiver and Power Supply
- Operating Instructions Manual
- Warranty and Registration Card

If an item is missing, contact either the place of purchase or PBM Industries, Inc. for replacement.

## CARE AND HANDLING

POOLGUARD is constructed from sturdy plastic to withstand the adverse moisture environment of a swimming pool. **Care needs to be taken when handling to ensure against being dropped, kicked, etc. Also, be sure to remove the pool unit and set it away from activity in the upright position when the pool is being used. (See figure 1)**

If the pool unit accidentally falls into your pool, remove it immediately and drain the water from it. Take the unit apart as indicated in the Battery Replacement Procedure and remove the battery. Tip and shake unit and remove all excess water from inside the unit and the battery, and the circuit board area with a paper towel or cloth. Completely test unit before each use as described in manual to ensure proper operation. **(Remember to always remove the pool unit from the pool while swimming and set it aside away from pool activity).**

## **ATTACHING HANDLE**

The two handle screws are located in the top of the alarm, remove them and attach the handle, (See Figure 1)

## **RESET/SLEEP SWITCH (SEE FIGURE 1)**

**RESET:** When the pool unit is installed in the pool and the horn is sounding; press the reset/sleep switch once to silence the alarm.

**SLEEP MODE:** When the pool unit is removed from the pool and the horn is sounding; press and hold the reset/sleep switch for 3 seconds to silence the alarm. The pool unit will automatically wake up when it is installed into the pool. **THE POOL UNIT WILL NOT GO INTO SLEEP MODE ONCE IT IS INSTALLED IN THE POOL!**

## **BATTERY INSTALLATION / REPLACEMENT**

(Battery not included)

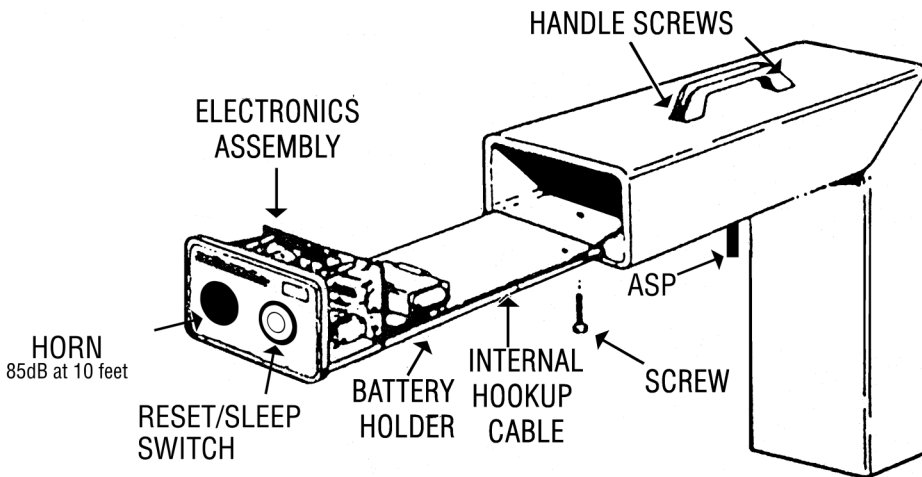
POOLGUARD is powered by a standard 9 -volt alkaline battery. To install or replace the battery:

- Remove the screw from the bottom of the unit, refer to Figure 1.
- Carefully slide out electronics assembly; do not pull or jerk on internal hook up cable. (If necessary, gently shake unit to remove assembly.)
- Remove old battery and check for leakage or corrosion. (Remove any leakage or corrosion if present before installing new battery.)
- **IMPORTANT: WHEN A 9V BATTERY IS FIRST INSTALLED IN THE POOL UNIT, THE HORN WILL SOUND. TO SILENCE THE ALARM PRESS AND HOLD THE RESET/SLEEP SWITCH FOR 3 SECONDS. THIS PLACES THE POOL UNIT IN SLEEP MODE. THE POOL UNIT WILL AUTOMATICALLY WAKE UP WHEN IT IS INSTALLED INTO THE POOL.**
- Install new battery by attaching snap connection and sliding into battery holder.
- Slide electronics assembly into pool unit; do not pinch internal hookup cable.
- Replace the screw, hand tighten until screw is all the way in and flush against the pool unit.

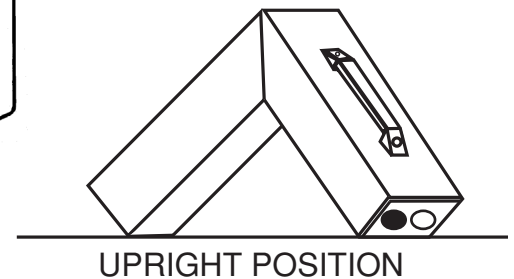
To prevent possible damage, battery should be removed whenever storing the alarm, for an extended period of time.

# LOW BATTERY FUNCTION

The POOL UNIT AND THE REMOTE RECEIVER will beep once approximately every 20 seconds to alert you that the battery is low in the pool unit and needs to be replaced.

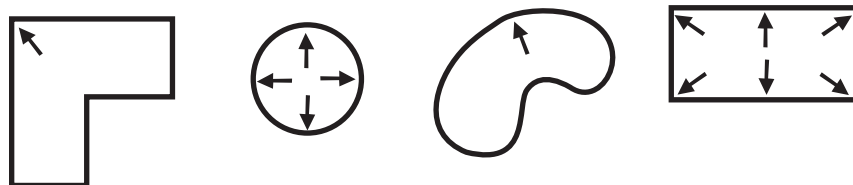


**POOL UNIT**  
**Figure 1**



# PLACEMENT IN YOUR POOL

Figure 2 illustrates locations best suited for detecting intrusions from any area of the pool. If your pool is larger than 800 square feet, if you have more than 2 return lines, any concerns about the size, or if you have an irregular shaped pool, please call customer service to clarify the recommended number of alarms and locations for alarms: 1-800-242-7163. Poolguard pool alarms have been tested and certified by ETL in a 16' x 32' pool.



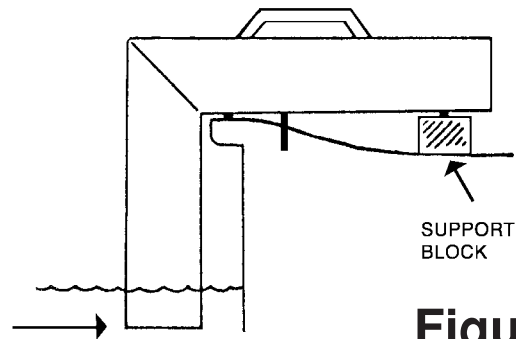
**Figure 2**

Pools 800 Square Feet and Smaller.

(Cont. on next page)

## PLACEMENT IN YOUR POOL (Continued)

POOLGUARD automatically compensates for variations in pool levels within the unit's operating range. The unit utilizes a sensing throat which projects into the water and is designed to operate in most pools with an in-wall skimmer. The sensing throat cannot be less than 2 inches, (See Figure 3), and not more than 7 inches into the water, POOLGUARD recommends that the sensing throat be approximately 4" in the water. POOLGUARD can be used with SOLAR BLANKETS on the pool. POOLGUARD can also be used in spas.



**SENSING THROAT CANNOT BE LESS THAN 2" IN THE WATER, POOLGUARD RECOMMENDS THAT THE SENSING THROAT BE APPROXIMATELY 4" IN THE WATER**

**Figure 3**

### **IMPORTANT**

POOLGUARD may not function properly if your pool's water level is not maintained within the required levels of your alarm. Also, the unit may not operate effectively while certain types of automatic pool cleaners are in operation.

Some irregular shaped decks may not provide a level foundation for the unit by the pool's edge. This minor problem can be overcome by appropriately supporting the unit (See Figure 3).

## STABILIZING YOUR POOL ALARM

The Alarm Stabilizing Pin (**ASP**) is factory installed onto your pool alarm. Tools needed to install your alarm are: One 5/16" masonry drill bit that can be found at your local hardware store, a drill, a pencil, a tape measure or yard stick.

1. Position your pool alarm so that the sensing throat is in the water and the **ASP** is touching the deck, (Be sure to leave a small space between the sensing throat and the edge of your deck), Refer to Figure 4.
2. Mark with a pencil the spot where you wish to drill the hole for the **ASP**.
3. With the 5/16" masonry drill bit, drill a hole 2 1/4" inches deep, as straight as possible.

(Cont. on next page)

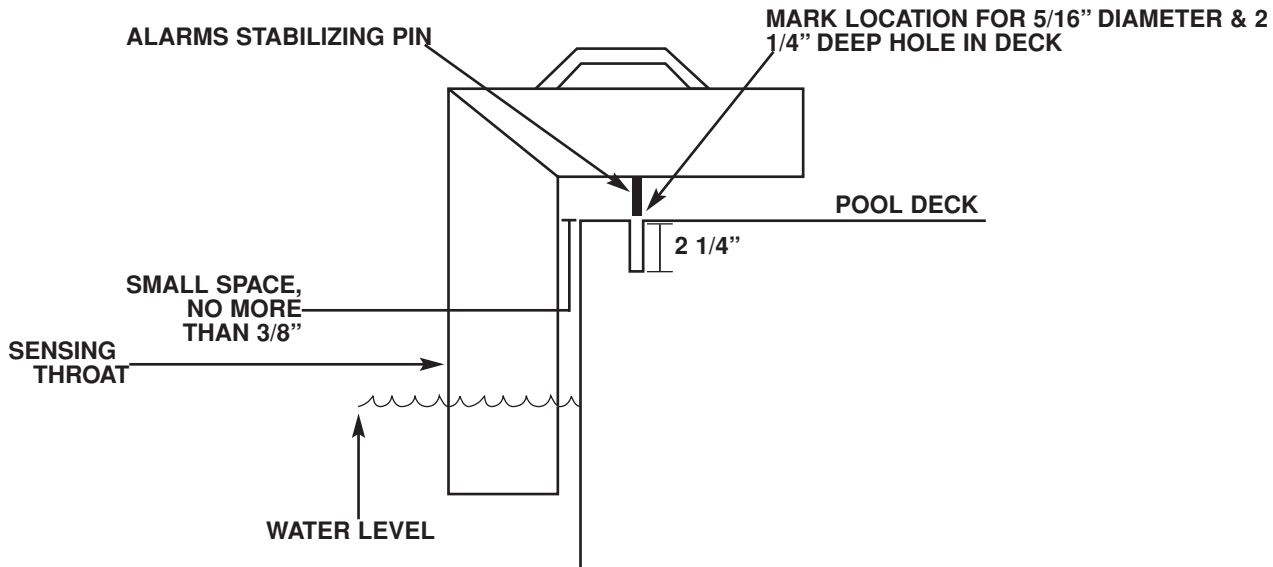
## **STABILIZING YOUR POOL ALARM** (Continued)

4. Clean off the debris and install the alarm by placing the **ASP** into the 5/16" diameter by 2 1/4" deep hole.

5. Your Pool Alarm is now ready for use. If you have any questions or need help with installation, please give us a call at **1-800-242-7163**.

6. Be sure to keep your **ASP** hole clean from debris and dirt so that your alarm will always lay flat on the pool deck when installed.

### **REMEMBER THAT THE POOL UNIT MUST BE REMOVED FROM POOL BEFORE SWIMMING!**



Sensing throat cannot be less than 2" in the water, POOLGUARD recommends that the sensing throat be approximately 4" in the water.

## **TEST BEFORE USING**

POOLGUARD has an automatic wake-up and self-test feature built in to the unit. To ensure effectiveness, **TEST POOLGUARD EACH TIME YOU PLACE IT INTO THE POOL** by performing the following simple procedure.

- Place the unit in the pool resting it on a solid foundation at the edge of the pool. The alarm should sound loud and sharp. If the alarm is weak or irregular, the battery may require replacement.
- Press the reset/sleep switch, the alarm should stop sounding. Unit is now armed and operating.
- POOLGUARD includes a timer function which automatically resets the unit after the alarm has sounded for approximately 5 minutes.
- POOLGUARD will alarm when removed from the pool, to silence the alarm out of the pool, press and hold the reset/sleep switch for 3 seconds, this places the pool unit in sleep mode. POOLGUARD will automatically wake up when the pool unit is re-installed into the pool.

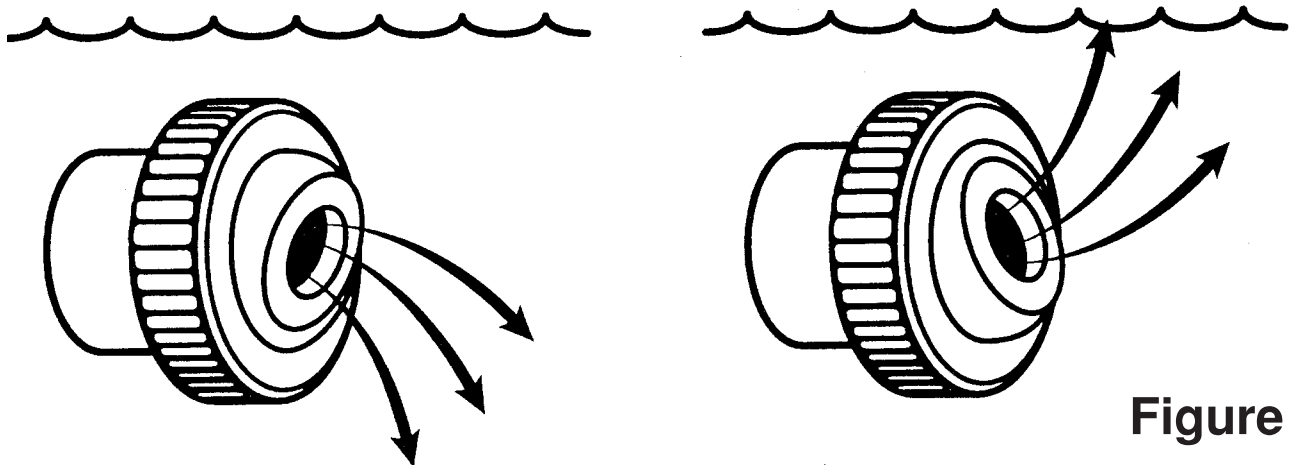
# PLACEMENT TESTING

To ensure the placement of the alarm provides adequate coverage in the pool, perform the following simple test:

- Place POOLGUARD at your selected location in the pool.
- Push an object of appropriate volume and weight off the deck edge furthest from the alarm. A four (4) gallon jug of water or 3 one (1) gallon jugs of water tied together are ideal for testing. The alarm should sound when the water action caused by the intrusion reaches the unit. It may take a few seconds for the alarm to react to the water action.
- After resetting the alarm and allowing time for the water action to settle, repeat the procedure from another point in the pool until you are confident of detection performance.
- Proper selection of a location is important. If possible, this location should be used everytime.

# ADJUSTING YOUR RETURN LINE FITTINGS

The POOLGUARD unit should not be placed too close to a return line from the filter area. Water turbulence may be too strong and falsely set the alarm off. If you have more than 2 return lines please call customer service at 1-800-242-7163. It is very important in pools to adjust all the eyeball fittings on your return lines so they will not interfere with your pool alarm. It is not necessary to point your eyeball up for your pool to circulate properly. If the water is swirling on top of the pool this makes the pool to turbulent for your alarm to work properly. Point the eyeball down and your pool will still circulate properly and allow your alarm to function properly. **If you point the eyeball fitting up, your alarm may not function properly.** (See Figure 5)



CORRECT

INCORRECT

Figure 5

# POOLGUARD REMOTE RECEIVER

The POOLGUARD REMOTE RECEIVER has been integrated with the standard POOLGUARD unit to provide a wireless remote alert operating at distances of up to 200 feet. The POOLGUARD REMOTE RECEIVER sounds an alarm in the house when the POOLGUARD unit is activated at the pool. The remote system consists of the following functional elements:

- A coded pulse receiver (Remote Receiver). Figure 6
- A standard wall outlet power supply. Figure 6

The REMOTE RECEIVER is a compact unit powered by a **UL** and **CSA** approved AC/DC power supply. The REMOTE RECEIVER can be placed on a table or a counter top inside the house. The pulse coded radio frequency signal is transmitted from the pool unit and is received and decoded to sound the remote receiver. **The remote receiver will sound for an additional 3 seconds after the pool unit has been silenced. If the REMOTE RECEIVER beeps once approximately every 20 seconds, it is indicating that the 9v battery in the pool unit is low and needs to be replaced.** After you have purchased your POOLGUARD alarm and you wish to add another remote receiver to your alarm system you can acquire one from PBM Industries, Inc. Contact PBM by phone or mail or contact your place of purchase.

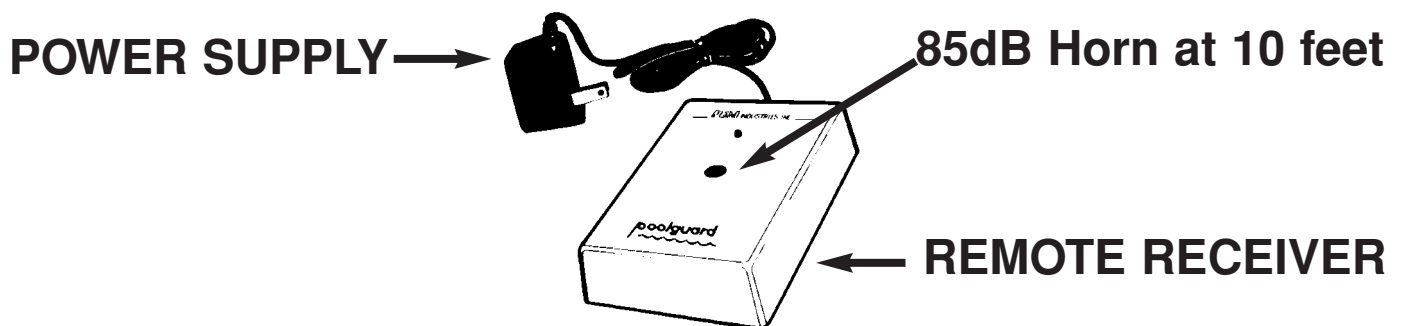


Figure 6



## **TO OPERATE YOUR REMOTE RECEIVER**

Try to locate your REMOTE RECEIVER in a convenient part of your house close to the pool. Avoid steel walls or any other large metal objects or obstructions that might interfere with the signal reception. The REMOTE RECEIVER has to be placed on the same level or a level above the pool in the house (do not place receiver in an underground basement). The ideal location for your REMOTE RECEIVER would be by a window overlooking your pool. Test your REMOTE RECEIVER in different locations in your house to find the best working place for your receiver. Connect the power supply to any 120V, electrical outlet and insert the jack into the receiver. Check that indicator light is on. Your REMOTE RECEIVER unit is now ready to receive a transmission from your POOLGUARD unit. **DO NOT USE YOUR REMOTE RECEIVER OUTDOORS.**

# **SWIMMING POOL SAFETY TIPS**

- Supervise children at all times.
- Never permit swimming alone. Never leave a child alone, even to answer the telephone.
- Always remove the entire solar cover from a pool before swimming.
- Remember that alcohol and water safety do not mix.
- Have your pool area fenced and the gate locked to prevent unauthorized entry to the pool, and install a gate alarm.
- Lock and secure all doors in the house which permit easy access to the pool, and install a door alarm.
- Have a responsible adult teach swimming and water safety to your children.
- Maintain clean, clear water in the pool.
- Do not swim during electrical storms.
- Do not permit bottles, glass, or sharp objects to be used around the pool.
- Ask your pool dealer how you can improve your pool safety – they will be glad to assist you.
- Above all: remember that common sense, awareness, and caution will allow you to enjoy your pool.

## **WARRANTY AND REPAIRS**

POOLGUARD is sold with a limited warranty to cover defects in parts and workmanship for three years from date of purchase, (retain proof of purchase).

If POOLGUARD exhibits a defect, please call Customer Service at 1-800-242-7163. Unauthorized returns will not be accepted. Proper repair is only ensured when the unit is returned to the manufacturer.

### **SEND CORRESPONDENCE TO:**

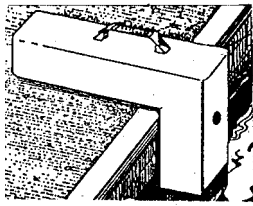
**PBM INDUSTRIES, INC.**  
P.O. BOX 658, NORTH VERNON, IN 47265  
800-242-7163

This product has been designed to aid in the detection of unwanted intrusions into unsupervised pools. POOLGUARD IS A SAFETY ALARM SYSTEM AND NOT A LIFE SAVING DEVICE. "This device is not intended to replace any other safety consideration - i.e., adult supervision, lifeguards, fences, gates, pool covers, locks, etc., and some devices may not detect gradual entry."

**poolguard**<sup>®</sup>  
**PBM INDUSTRIES, INC.**



# HELPFUL HINTS AND TROUBLESHOOTING



Poolside Unit

# poolguard®

Power Supply



Remote Receiver

## FALSE ALARMS

All pool alarms will false alarm on occasion for different reasons. False alarms can be minimized; however, it is important to remember that a false alarm is better than no alarm at all. **WEATHER & WIND**—POOLGUARD sets stationary on the deck of the pool so the wind will not effect the alarm unit itself. Wind may trigger a false alarm if it is strong enough or steady enough that it causes the water in the pool to rock or bounce up and down the pool wall. When the water in the pool moves up and down the POOLGUARD sensing throat, it may finally cause the alarm to sound. On extremely windy days when the pool water is rocking it is advised to remove the POOLGUARD from the pool. **Light wind or rain will not effect the POOLGUARD alarm.**

Another false alarm occurs when the pool owner tries to install the alarm too soon after swimming. After swimming, the water in the pool will rock or bounce up and down the pool wall for some time depending on the size of the pool and the type of swimming activity. **Before installing the alarm, after swimming, the pool must be given time to calm.** Time will vary (around 10 to 30 minutes); once the pool owner sees that the pool water is no longer rocking up and down the pool wall, it is time to install the alarm. Installing the alarm can be confusing to some pool owners. To install POOLGUARD set the unit on the deck and into the pool, the alarm will sound, this is our self test feature which lets the pool owner know that the battery is good and the sensor is working, press the reset/sleep switch and the alarm should stop sounding; it is now armed and ready to use.

Certain **automatic cleaners** may set the POOLGUARD unit off in some cases. If the cleaner head or the cleaner hose hits the POOLGUARD alarm it may cause it to false alarm. Solutions to this problem are to use your cleaner at night and your alarm during the day. Another option would be to find a place around the pool where the cleaner does not interfere with the alarm.

## **ALARM PLACEMENT**

The alarm should be on a flat, solid surface for best results. The throat of the unit is designed to work in most pools with an in-wall skimmer. The water level up on the throat is important and should be checked. The sensing throat cannot be less than 2 inches in the water, and not more than 7 inches into the water. POOLGUARD recommends that the sensing throat be approximately 4 inches in the water. POOLGUARD can be used with a solar cover; however, before removing the cover, the alarm should be taken out so it does not get pulled into the pool.

## **ALARM TESTING**

Drop something of approximate **size, weight and volume** of the families smallest child, the farthest point away from the alarm. A four (4) gallon jug of water or 3 one (1) gallon jugs of water tied together are ideal for testing. **Remember, when testing you must wait about 15 minutes between tests for the pool to calm.**

## **ALARM WILL NOT SOUND**

Be sure that a 9 volt battery has been installed properly. If you are testing and POOLGUARD does not alarm, be sure you are testing properly – putting your feet in the pool, splashing with your hands, making waves with a leaf skimmer, or dropping something into the pool that does not have the proper size, weight and volume **will not set the POOLGUARD alarm off!** Testing is very important and should be done correctly.

## **CARE AND HANDLING**

POOLGUARD is made of sturdy, rigid vinyl PVC - UV rated. Because the alarm is electronic and mechanical great care should be taken not to drop the unit; like any other appliance, it may break. Sun and rain will not hurt the alarm. POOLGUARD is water resistant **but not waterproof**. Great care should be taken not to knock the alarm into the pool. If the alarm goes into the pool there are directions in the manual on how to dry it out, but more than likely it will have to be returned to the factory for service. **Always remember to remove the alarm before using the pool.**

## **REMOTE RECEIVER**

When the unit at the pool alarms, the remote receiver will sound.

**Maximum Range for the remote is 200 feet** from the poolside unit.

Avoid placing remote in basements or close to metal walls. Be sure that the red light on the remote is on. Remember the poolside unit must be beeping (alarming) for the remote to work.

If your remote receiver is not getting a clear signal or no signal from the poolside unit, try the following: Before plugging in the power supply, be sure **to stretch out the cord**; do not leave it tied in a bow as packaged. When you first plug in the remote it will give one short loud beep then stop.

Your Remote Receiver is similar to a small portable radio. If your remote is not sounding when the poolside unit is sounding—move the remote to different locations and stand back for a few seconds for the remote to pick up the signal. You may only have to move your remote a little to the left or right to bring in the signal—in some cases you might have to move the remote to a different location or another room. If you are still having trouble, move the pool alarm to a different location in the pool according to Figure 2. This will change the transmission angle of the pool alarm and may give your remote receiver a clearer signal. If you cannot get a signal on your remote receiver **CALL CUSTOMER SERVICE AT 1-800-242-7163**

# QUICK DO'S AND DON'TS

- **DO read the manual carefully**
  - **DO install a 9 volt battery**
  - **DO untie the bow on the power supply**
  - **DO test the alarm properly**
  - **DO carry your alarm by the handle**
  - **DO remove alarm before swimming**
  - **DO hold on to your red customer service card with our 800 service number**
- 
- **DON'T leave alarm in pool while swimming**
  - **DON'T drop your alarm, it may break**
  - **DON'T knock or let your alarm fall into the pool**
  - **DON'T install your alarm immediately after swimming**
  - **DON'T use your alarm on extremely windy days**