

Product Index



124T1952	51		
124T2411A	51		
133PE1484A	16		
143PS307	17		
143RC151	51		
143T135	51		
143T136	51		
156PA13713A	50	PA600	50
156PA13714A	50	PAV215	45
156PA13715A	50	PAV215C	45
156PA14336A	50	PAV220	45
156PB10398A	51	PAV220C	45
156T1978A	51	PAV315	45
156T6738A	51	PAV315C	45
178PA28A	17	PAV320	45
21T156A	50	PAV320C	45
21T166A	50	PB313E	48
22T338GR	51	PB313EK	48
22T904A	50	PB314E	48
2T2485GA	30	PB314EK	48
2T2502GA	30	PB373EB	48
2TP3352A	30	PB374EB	48
HA04	17	PB873MKZ	49
P1101	46	PB874MKZ	49
P1102FE	28	PB913N	49
P1102ME	28	PB913N66	49
P1103ME	28	PB913N84	49
P1121	46	PB914N	49
P1131	46	PB914N66	49
P1161	46	PE10000	19
P1203FR	28	PE1501RC	21
P1261P	47	PE153	18
P1261PE	47	PE15300	19
P1353ME	15	PE15300F	19
P4243ME	15	PE153F	18
P7101ME	28	PE153P	18
P7102ME	28	PE153PF	18
P7103ME	28	PE153PW	18
PA115	51	PE153PWF	18
PA121	17	PE153W	18
PA122	17	PE153WF	18
		PE1541RC	21
		PE20000	20
		PE24VA	45
		PE25300	20
		PE25300F	20
		PE25K120V	14
		PE25K240V	14
		PE25KCELL	14
		PE30000	21
		PE35300	21
		PE40000	22
		PE40K120V	14
		PE40K240V	14
		PE40KCELL	14
		PE45300	22
		PE45343RC	22
		PE45343RCT1	43
		PE45343RCT3	43
		PE650	16
		PE950	16
		PEDCELL	14
		PEDCHLR	14
		PF1102	40
		PF1102M	40
		PF1102MT	40
		PF1102T	40
		PF1103	40
		PF1103M	40
		PF1103MT	40
		PF1103T	40
		PF1112T	41
		PF1202T	41
		PF1222TB	41
		PJB2175	44
		PJB4175	44
		PX100	42

Intermatic's headquarters and main manufacturing facilities in Spring Grove, Illinois... making quality products since 1891.

Visit us on our website at www.intermatic.com for the most up to date information on Intermatic products.

Product Index



Intermatic's superior line of Pool & Spa products makes more time for play and less on maintenance

PX100S	42	RC613L	39	T30404R	33
PX300	42	RC613R	39	T30604R	33
PX300S	42	RC615	39	T32404R	33
PX600	42	RC6F	38	T40000R	34
PX600S	42	RC939	39	T40000R4	35
RC117	38	T10000R	31	T40003RT3	43
RC122B	38	T10004R	31	T40004R	34
RC127B	38	T10004RT1	43	T40004R5	35
RC150	38	T10004RT3	43	T40004RSS	35
RC2103E	38	T10101R	31	T40004RT1	43
RC2103S	38	T101M	29	T40004RT3	43
RC2112S	38	T101P201	30	T40404R	34
RC2113ST	38	T101P3	30	T40404R5	35
RC2123MT	36	T101R201	30	WG1570-10	51
RC2123PT	36	T101R3	30	WG1573-10	51
RC2123S	38	T102M	29		
RC2133M	36	T103M	29		
RC2133P	36	T10404R	31		
RC2163BE	37	T104M	29		
RC2163BFE	37	T104M201	29		
RC2163E	37	T104P201	30		
RC2163FE	37	T104P3	30		
RC2233M	36	T104R201	30		
RC2233P	36	T104R3	30		
RC2263BE	37	T10604R	31		
RC2263E	37	T106M	29		
RC2343M	36	T106R	30		
RC2343MT	36	T12404R	31		
RC2343P	36	T20004R	32		
RC2343PT	36	T21000R	32		
RC2403RT	36	T21001R	32		
RC4F	38	T21004R	32		
RC4G	38	T30000R5	33		
RC510	38	T30004R	33		
RC613	39	T30401R	33		

Grounded in a tradition of innovation and service

In 1891, Intermatic began producing portable fare registers for streetcars. Over the next 115 years, Intermatic developed a huge variety of products that have increased the safety, productivity and convenience of homes and businesses around the world.

Driven by new technology and the needs of our customers

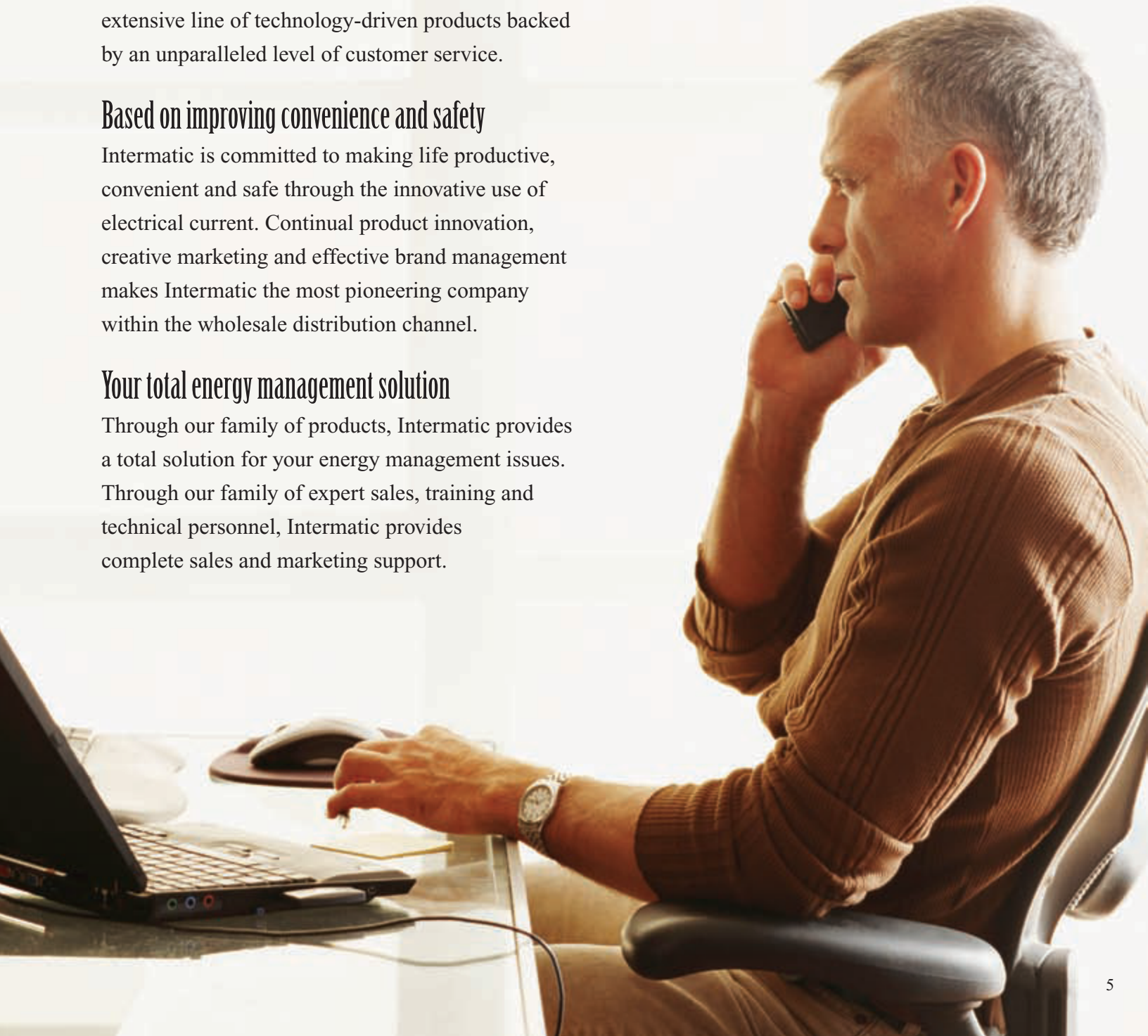
Today, Intermatic is the leading supplier of high quality energy control products for industrial and commercial markets — moving into the 21st century with an extensive line of technology-driven products backed by an unparalleled level of customer service.

Based on improving convenience and safety

Intermatic is committed to making life productive, convenient and safe through the innovative use of electrical current. Continual product innovation, creative marketing and effective brand management makes Intermatic the most pioneering company within the wholesale distribution channel.

Your total energy management solution

Through our family of products, Intermatic provides a total solution for your energy management issues. Through our family of expert sales, training and technical personnel, Intermatic provides complete sales and marketing support.



Service entrance surge protection



HVAC energy controls



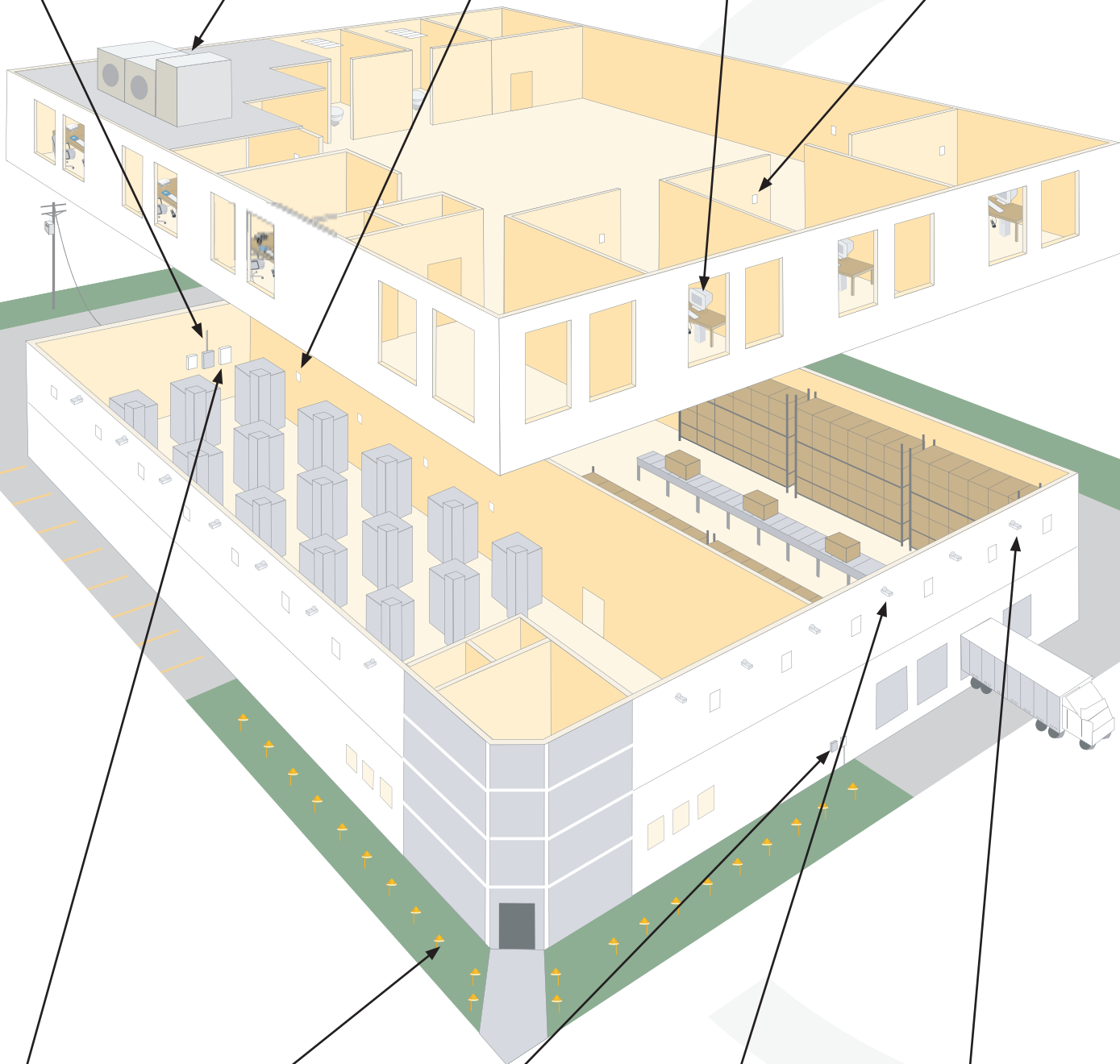
Auto shut-off timers



Office equipment surge protection



Interior lighting controls



Service entrance energy controls



Landscape lighting



Exterior receptacle covers



Photo controls



HID lighting



Commercial and Industrial Applications

Intermatic has everything contractors, maintenance personnel and plant or facility managers need to keep their factories, centers and businesses running at their peak.

Intermatic Commercial and Industrial Applications

- Interior and exterior lighting control
- Parking lot lighting control
- Mechanical time switches
- Electronic time switches
- Service entrance and panelboard surge protection
- Point-of-use surge protection
- Exterior receptacle protection
- Landscape lighting

Intermatic has a full line of commercial and industrial products needed to reduce electricity and labor costs and decrease power quality problems. Small investments in Intermatic energy controls and surge protection can:

- Increase energy savings
- Increase up-time
- Increase productivity
- Increase data retention

Whether it's part of a manufacturing, distribution or office environment, Intermatic offers a broad line of commercially related products for:

- High amperage/voltage machinery
- Heavy duty pumps
- Motors
- Variable frequency drives
- HVAC systems

In addition to a broad range of products, Intermatic provides complete bid specifications and wiring diagrams for every model and each product is backed up by the industry's best sales support and technical assistance team.

Z-WAVE™

For more than a century, Intermatic has been a premier supplier of commercial and industrial products and has developed a reputation for providing its customers with innovative products that far exceed their expectations. The new InTouch line of home controls will serve as the primary link to the Intermatic System. Brought to life with Z-Wave™ technology, InTouch will help our commercial customers grow their business within the booming home controls industry and will help home and business owners achieve higher levels of convenience, security and safety.

Residential Applications

Whether you're an electrical contractor, homebuilder or homeowner, Intermatic is the only name you need to know for increased levels of convenience, safety, security and electronic protection.

Intermatic Residential Applications

- Interior and exterior lighting control
- Whole home energy controls
- Whole home surge protection
- Home office and home theatre surge protection
- Pool and spa controls
- Landscape lighting
- Exterior receptacle protection
- Security floodlighting

With electricity costs on the rise and power quality problems at an all time high, Intermatic has a full line of residential products needed to combat these issues. A minor investment in energy controls and surge protection can prove to have major long-term cost savings and home appliance/electronic preservation. Intermatic residential products provide homeowners with multiple benefits, including:

- Whole home energy savings
- Lighting automation to increase the beauty, safety and security of your home
- Surge protection for home appliances and electronics
- Landscape lighting to accent your home and property
- Pool and spa controls for improved cost savings and convenience

Intermatic provides the home building industry with the most comprehensive offering of residential energy control and surge protection products. Intermatic also offers weatherproof products, pool and spa controls and low voltage landscape lighting. Intermatic products can be used throughout a home and the surrounding property, including:

- Garages and outbuildings
- Landscaping
- Entrances
- Kitchens and bathrooms
- Home offices and entertainment centers
- Pools and spas

Intermatic has developed two marketing programs to benefit those within the residential market:

- **Intermatic Authorized Installer Program** helps contractors up-sell during a service call.
- **InGenius Homebuilder Program** helps builders of new homes increase their add-on opportunities.

Z-WAVE™

The future of the digital home is closer than we realize. Intermatic has a growing list of home control products that work together to enhance the safety, security and convenience of our complex and eventful lives. Intermatic is applying Z-Wave™ technology to a broad spectrum of residential applications to enhance its pool and spa, surge protection, energy controls and professional lighting. Along with its full system of products, Intermatic has the knowledge, ability and resources to revolutionize home automation.

Garage lighting controls



Bathroom fan, lighting and whirlpool controls



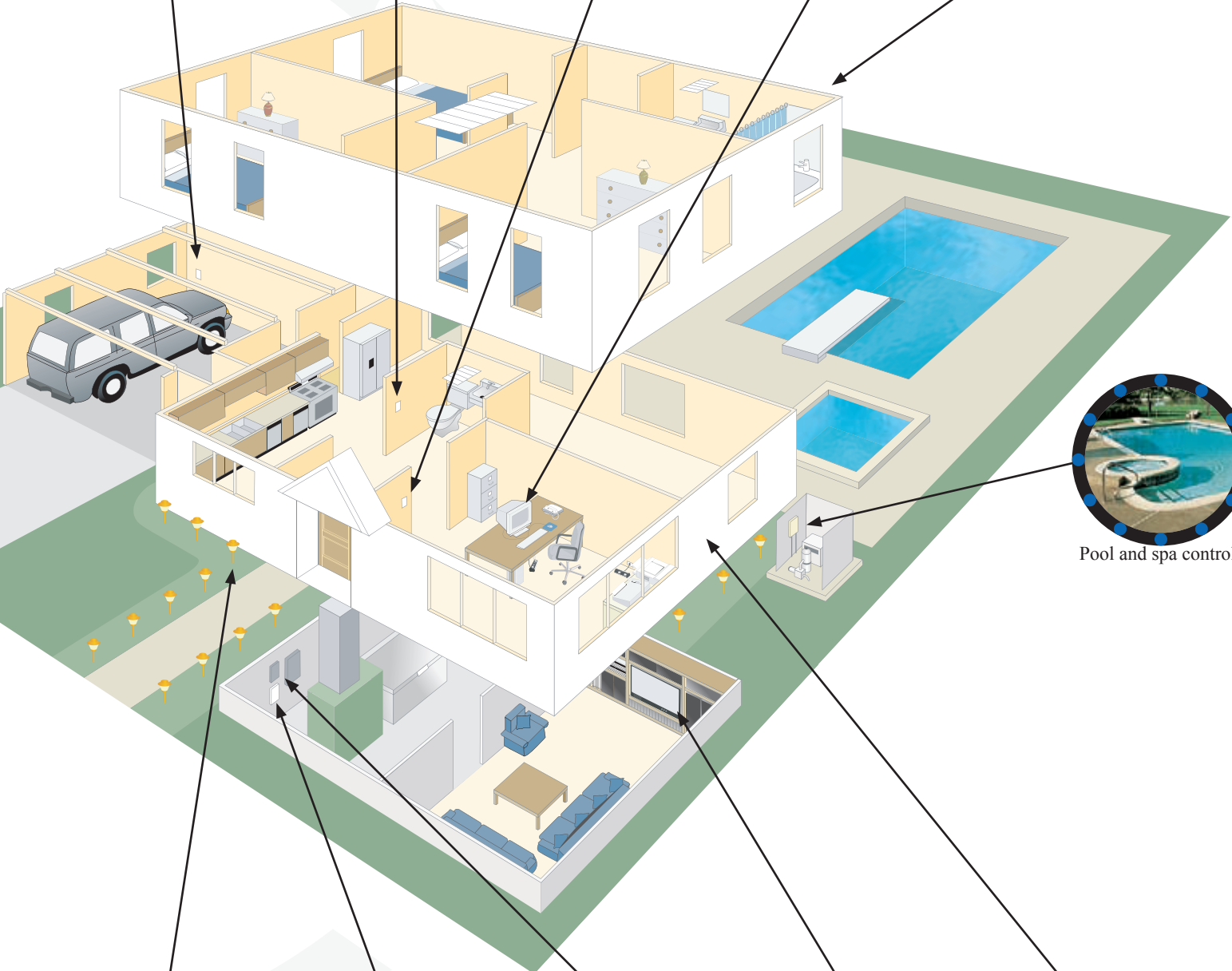
Entrance/porch lighting



Home office surge protection



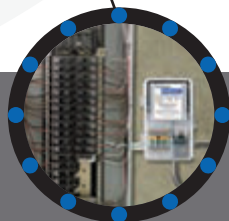
Area floodlighting



Pool and spa controls



Landscape lighting



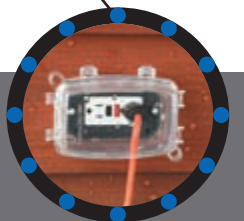
Whole home surge protection



Whole home energy controls



Wireless home controls



Exterior receptacle protection

Intermatic provides you with everything you need in order to draw, secure and maintain steady sales growth.

Opportunities include:

- Advanced Sales Support
- Sales Incentives
- Sales Training
- Sales Programs and Promotions
- Merchandising
- Interactive Web Site

The Industry's Best Sales Support

Our distributor sales training includes ways to best merchandise and up-sell our wide array of products. Training takes place at local, regional and national trade shows. In addition, Intermatic holds regular counter days and product "lunch and learns," hosted by our direct sales personnel and sales agents, on location at local distributors.

Intermatic's order service support is set up to allow distributors and OEM customers to receive product when, where and how they want it. Drop shipments, multi-location shipments, blanket orders, express shipping and ship complete orders are complemented by a variety of other order support services. Our highly trained customer service representatives can also provide you with support for technical questions and applications by calling **815-675-7000** between 8:00 a.m. and 4:30 p.m. CST, Monday through Friday.

Intermatic Merchandising/Support

Customized Sales Incentives

Regular sales spiffs for sales and counter personnel are designed to motivate the seller and push product at every level. Customized sales support literature can also be designed for local made-to-order programs.

Comprehensive Sales Training

Providing you with the industry's best electrical products is step one. Helping you get those products into the hands of your customer is step two. The best way to make that happen is to supply you with specific information on how to sell and up-sell within our five categories of products. On site or at the counter, Intermatic gives you the answers to frequently asked questions and provides you with good, better and best scenarios and competitive comparisons in order to help you help your customers make the best buying decision.

Motivational Sales Programs and Promotions

Intermatic is a total business partner and backs the sale of its products with innovative programs and promotions at every level, with support provided to distributors, contractors and home builders.

- **The Power-Plus Program** for distributors increases their margins and inventory turns while lowering their transaction costs.
- **The Authorized Installer Program** helps contractors add to their bottom line by up-selling and installing additional products during service calls.
- **The InGenius Program** helps home builders sell upgrades at model homes and in the sales office.

Intermatic also provides a regular selection of promotions that include shipper/displays, product introductions, contractor bonus packs and Intermatic branded merchandise.

Thought-provoking Merchandising

Eighty percent of walk-in customers will buy additional products, if merchandising is done effectively. Sixty-five percent of all purchases are affected by displays and visual graphics. That is why Intermatic has invested heavily in merchandising resources in order to boost your return on investment. Intermatic's Industrial Merchandising program provides you with the support and information you need to achieve maximum results, increase impulse purchases and build effective displays.

Merchandising items include:

- Plan-o-grams
- Header cards
- Floor, wall and counter displays
- Self shipper displays
- P.O.P. displays
- Counter mats
- Banners
- Spec and cross reference CDs
- Product demo and literature CDs

Interactive Web Site Marketing

Intermatic's e-marketing program utilizes the Internet to provide fast, efficient, 24/7 communications with both distributors and end users. Intermatic's Web site includes:

- Authorized distributor locator
- Authorized installer locator
- Downloadable specifications, wiring diagrams and instruction manuals
- E-mail technical support
- General catalog (downloadable PDF)
- Warranty registration

In 2007, a variety of enhancements will be implemented that will include improved navigation, product search by category or model number, competitive product search, ordering of product literature and an events/news page. Also, a new secured-access distributor intranet will provide additional product education and sales training, distributor spec sheets, pricing and promotions, a job-quoting tool and a discussion board.

For more information on Intermatic sales support, programs and promotions, contact your local Intermatic sales representative, visit www.intermatic.com or call **815-675-7000** between 8:00 a.m. and 4:30 p.m. CST, Monday through Friday.

Five reasons to keep your eye on Intermatic

Superior New Product Developments

Intermatic is able to leverage its global and technological resources to provide its customers with products full of innovative features and benefits and maintain its first-to-market stature.

World-class Global Manufacturing

The Intermatic family is made up of a global workforce, who through lean manufacturing methods, produce the world's finest energy control products.

Excellent Supply Chain Management

Regardless of its substantial growth, Intermatic has remained flexible and responsive and completely customer focused. At Intermatic, intensive quality control and on-time deliveries are customary.

Complete Sales and Marketing Support

Over the course of the year, Intermatic helps promote its products through a variety of sales incentives, promotions and merchandising campaigns. We also offer distributor training and technical support at every level.

Superior Enterprise Information Systems

Flexible, Web-based information gives us a competitive advantage and real-time information keeps us up to date to help take better care of our customers.

Helping Maintain the Luxuries of Life

Few things exceed the pleasure of a refreshing dip in the pool on a hot summer day or a relaxing soak in the hot tub on a chilly evening. Intermatic helps maintain these luxuries with a variety of reliable controls, which combine economy and flexibility in a single enclosure.

Too often, as technology advances, controlling that technology becomes exceedingly complex. Intermatic has made a commitment to provide its customers with controls that are as easy to install as they are to use. While maintaining its reputation for reliability, Intermatic designs innovative pool and spa controls that are powerful and intuitive.

Providing simple, focused controls allows the consumer to purchase only the features they need for their application – saving money and easing frustration. Intermatic's products are flexible and designed to work together cohesively in an endless number of scenarios. Intermatic controls reduce installation costs and maintain consistent performance for aeration, freeze protection, lighting and pumping year after year.

POOL & SPA



Salt Chlorine Generators

PE25 & PE40 Series I-Pure Stand Alone Salt Chlorine Generator

While traditional Salt Chlorine Generators can be difficult to manage and operate, the new I-Pure Salt Chlorine Generator takes the hassle out of sanitizing pools and spas. The I-Pure system produces more chlorine than other Salt Chlorine Generators and provides homeowners with easy-to-use, high quality sanitation at a competitive price.

Your pool can be the relaxing paradise you always wished it could be. With an I-Pure system, buying, hauling and handling chlorine is a thing of the past. Spend your time enjoying your pool rather than wrestling with a complicated purity system. One simple dial controls more chlorine, less chlorine or "Super Chlorination".



PE40K240V



Cell Features

The I-Pure system utilizes plates that are specially coated to convert regular table salt into natural chlorine. The system uses the most advanced self-cleaning technologies, including reversed polarity, which allows the Cell to stay cleaner and last longer than other self-cleaning cells. The clear Cell also allows for easy regular inspections for calcium build-up.

Applications

- Residential pools
- Commercial pools
- Water features
- Fountains

Specifications

Case: 15.0" (38.3 cm) high x 10.5" (26.8 cm) wide x 4.5" (11.4 cm) deep

Voltage: 120VAC or 240VAC (see below)

Shipping Weight: See chart

Agency Approval: ARL

Checklist for proper operation:

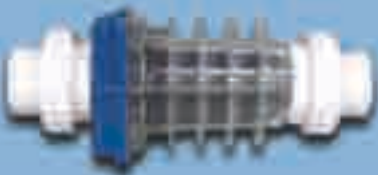
Salt	3000 to 4000 ppm
Free Chlorine	1 to 3 ppm
PH	7.2 to 7.8
Total Alkalinity	80 to 180 - adjust per calcium hardness level
Stabilizer (Cyanuric Acid)	60 - 80
Nitrates	0 ppm
Metals	0 ppm
Phosphates	0 ppm
Calcium Hardness	Determine level for individual pool surface
Saturation Index	-0.3 to 0.3 (0 is ideal)

Model	Max Gallons	Chlorine Output 24 hrs	Volts 60 Hz	Shipping Weight
PE25K120V	25,000	1.11 lbs	120	22.0 lbs (9.9 kg)
PE25K240V	25,000	1.11 lbs	208-240	22.0 lbs (9.9 kg)
PE40K120V	40,000	1.67 lbs	120	22.0 lbs (9.9 kg)
PE40K240V	40,000	1.67 lbs	208-240	22.0 lbs (9.9 kg)

I-Pure Demo Kits

PEDCHLR - Empty I-Pure shell only

PEDCELL - Empty I-Pure cell only



PE25KCELL

Replacement 25,000 gallon cell only

PE40KCELL

Replacement 40,000 gallon cell only

Digital Control Accessories



I-Wave Mechanisms — Three Circuit Clock P1353ME

Designed as part of the I-Wave system and for aftermarket and retro-fit applications, the P1353ME can be installed into almost any Intermatic enclosure and has the ability to program up to three circuits. Choose between six pre-programmed modes of operation, which include single speed pump or 2-speed pump/cleaner pump combinations. In addition, programmed modes that include auxiliaries can control pumps up to 3 HP as well as underwater, landscape and/or fountain lighting. Countdown and Override features allow cycle interruptions when pool/spa service is required. All timing and protection associated with filter pump/cleaner pump combinations and two-speed pumps has already been integrated into the software.

- 120 or 208-240 volt input voltage
- Memory backup
- Freeze protection
- Heater protection (fireman switch)
- LCD readout
- Three ON/OFF events per day per circuit
- Shipping weight - 3 lbs (1.4 kg)
- Agency approval - CSA/C-US

CONTACT RATINGS — EACH CIRCUIT, ALL MODES

- 20A Resistive, 120/240 VAC., 50/60 Hz
- 20A FLA@120 VAC, 96A LRA@120 VAC, 50/60 Hz
- 17A FLA@240 VAC, 80A LRA@120 VAC, 50/60 Hz
- 5 Amps Tungsten, 120/240 VAC, 50/60 Hz
- 5 Amps Ballast, 120/240 VAC, 50/60 Hz

Valve/Pump Switch P4243ME

Designed as part of the I-Wave system and for aftermarket and retro-fit applications, the P4243ME is most suited for controlling up to two different circuits associated with pool/spa combinations but can also be used to control all the equipment typically needed in connection with water features, water gardening, solar heating and other similar applications. This unit snaps into almost any Intermatic enclosure and controls pumps up to 3HP, 24 volt supply for up to three valve actuators, automatic HIGH/LOW water temperature selector, heater connection circuit and push button control for each load with indicator lights on the face of switch. In addition, the unit has connections for a hard wired or wireless remote and a master switch controller.

- 120 or 208-240 volt input voltage
- Controls up to three valve actuators
- Controls two circuits
- Switches heater thermostat
- Remote control capabilities
- Shipping weight - 3 lbs (1.4 kg)
- Agency approval - CSA/C-US

Mode 1 – (Aux1, Aux2, Aux3)

The time switch is 3-circuit switch with all three switches controlling auxiliary devices.

Mode 2 – (Pump High, Pump Low, Aux3)

The time switch is a 2-circuit switch with the 1st & 2nd switch controlling a two-speed pump. The 3rd switch is controlling any auxiliary device. All protection associated with a two speed pump is preprogrammed into this mode.

Mode 3 – (Pump, Aux2, Cleaner Pump)

The time switch is a 3-circuit switch with the 1st switch controlling a single speed pump, the 2nd switch controls any auxiliary device, and the 3rd switch operates a booster/cleaner pump. All timing & protection associated with a filter pump/cleaner pump combination is preprogrammed into this mode.

Mode 4 – (Pump High, Pump Low, Cleaner Pump)

The time switch is a 2-circuit switch with the 1st & 2nd switch controlling a 2-speed pump. The 3rd switch is controlling a booster/cleaner pump. All protection associated with a 2-speed pump and booster/cleaner pump combination is preprogrammed into this mode.

Mode 5 – (Pump L1, Pump L2, Aux3)

The time switch is a 2-circuit switch with the 1st & 2nd switch controlling a 240V pump, where both L1 & L2 are required to be disconnected when the pump is OFF. The 3rd switch is controlling any auxiliary device.

Mode 6 – (Aux1, Aux2, Aux3)

Identical to Mode 1, in which each of the three single pole circuits are defined generically and can control any load within each of its individual circuit ratings, with all three circuits acting independent of each other. However, with Mode 6, the fireman switch closes only when circuit 1 (the filter pump) is manually turned on — not when the clock turns it ON. This mode is useful when you have Circuit 1 connected to a circulation pump in the spa. When the spa is not in use, the clock circulates the water to filter it, but does not turn ON the heater. When the spa is in use, the heater is also turned ON by manually switching Circuit 1.



P1353ME



P4243ME

CONTACT RATINGS — EACH CIRCUIT

- 17A Resistive, 120/240 VAC., 50/60 Hz
- 1.5 HP @ 120 VAC., 50/60 Hz
- 3.0 HP @ 240 VAC., 50/60 Hz
- 10 Amp Tungsten, 120/240 VAC, 50/60 Hz
- Valve Actuator Supply: 24VAC 40VA



Digital Control Accessories



PE650



PE950



133PE1484A

I-Wave Remote Controls Panel Mounted Transceiver (PE650) with Antenna (PA118)

Utilizing ground breaking Z-Wave technology, Intermatic's Wireless Panel Mounted Transceiver and Hand-Held Transceiver provides for reliable two-way communication and long range ability that is unmatched by any other wireless protocols.

The main function of the Panel Mounted Transceiver is to take commands from the Wireless Hand Held Transceiver (PE950) and hand them off to two mechanisms (P1353ME and/or P4243ME).

This unit can control:

- One P1353ME unit and one P4243ME unit
- One or Two P1353ME units
- One or Two P4243ME units
- Gas or Electric heater Thermostat

In cases where the two devices are too far apart for direct communication, a Transceiver Repeater Module (HA04C) can be installed and will relay commands between the two devices. You can also purchase a (PA121) 35-ft. Antenna Extension Cable Assembly when structures impede transmissions between the Panel Mounted Transceiver and Hand Held Transceiver.

Wireless Hand-Held Transceiver (PE950)

The main function of the Wireless Hand-Held Transceiver is to transmit user commands to the Panel-Mounted Transceiver (PE650) and display the status of the equipment, pool and spa water temperature, pool and spa thermostat set point, heating status and overall communication status. The device can control up to five loads, typically:

- The three loads in the Three-Circuit Clock
- The two relays in the Valve/Pump Switch, usually water temperature controls for pool/spa
- The actuators that switch between pool and spa

The unit floats if thrown in the pool or spa, is water-submersible, shock resistant and requires three (3) AA batteries. Expected battery life is approximately one year in typical use.

The Wireless Hand-Held Transceiver (PE950) can only communicate with the Panel-Mounted Transceiver (PE650) and Transceiver Repeater Module (HA04C) and is compatible with no other hardware. In addition, when the components of a specific system are linked together into a network, communication with another neighboring system cannot occur. Up to five PE950 units can be used in a single installation.

Three-Button Wired Remote Control (133PE1484A)

The Three-Button Wired Remote Control (133PE1484A) plugs into either the Three-Circuit Clock (P1353ME) or Valve/Pump Switch (P4243ME) and is normally installed as a spa-side remote. Most often the remote controls the filter pump, jets and lights, plus includes indicator lights on the face of the button. When installed as part of a system, it replaces the wireless method of controlling the three circuits within the mechanism. The Three-Button Wired Remote Control can also be installed where a third mechanism is needed in the enclosure, since the Wireless Hand-Held Transceiver (PE950) can only control two mechanisms.

Digital Control Accessories



I-Wave Accessories Water Temperature Sensor (PA122)

The Intermatic Water Temperature Sensor (PA122) installs in the inlet side of the heater and monitors both pool and spa water temperature, depending on the position of the diverter valves. Installation is necessary for the thermostatic control to work. The sensor plugs into the Panel Mounted Transceiver (PE650) and the water temperature is displayed on the Hand-Held Transceiver (PE950).

Freeze (Air Temperature) Sensor (178PA28A)

Add the Intermatic Freeze or Air Temperature Sensor (178PA28A) to installations where below-freezing outdoor temperatures are a concern. The sensor is designed to protect the pool and spa equipment and plumbing against freeze damage. The sensor plugs into the circuit board on the back of the P1353ME and turns ON the filter pump when air temperature drops below the programmed temperature. The freeze programming mode will not appear unless the sensor is plugged into the clock.

35-ft. Antenna Extension Cable Assembly (PA121)

When a structure impedes transmission between the Panel-Mounted Transceiver (PE650) and Handheld Transceiver(s) (PE950), you can use the 35-ft. Antenna Extension Cable Assembly (PA121) to relocate the antenna from the Panel-Mounted Transceiver to the area of operation, ensuring that communication between the Hand-Held unit and the control center is successful.

Transceiver Repeater Module (HA04C)

The Transceiver Repeater Module (HA04C) ensures that no problems in reception occur between the Hand-Held Controller(s) (PE950) and the Panel-Mounted Transceiver (PE650). Reception is affected by distance (about 100 feet, direct line of sight) and by physical obstacles (like brick walls or structures). However, by plugging in a Transceiver Repeater Module where necessary, long distances or physical obstructions can be overcome.

Model #	Description	Case Qty.	Case Weight
PA122	Water temperature sensor	1	0.3 lbs. (0.1 kg)
178PA28A	Freeze sensor	1	0.3 lbs. (0.1 kg)
PA121	Antenna extension	1	3.0 lbs. (0.1 kg)
HA04C	Repeater module - outdoor	6	4.5 lbs. (2.0 kg)
PA120	Relay - DPST, 24VAC coil	1	0.4 lbs. (0.2 kg)
143T145A	Relay - DPST, 24VDC coil	1	0.4 lbs. (0.2 kg)



PA122



178PA28A



Antenna Extension Cable Accessory
PA121



HA04C



143T145A

PA120



Digital Controls

PE100 Series Mini PE Series Digital Pool or Spa Controls

Intermatic's Mini-PE Series Digital Controls couple the standard features of our compact T100 Series mechanical time switches with the convenience of digital automation. One of Intermatic's latest innovations, the P1353ME allows the ability to program up to three circuits. Beyond single and two-speed pump/booster pump applications, auxiliary modes can control pumps up to 3HP as well as underwater, garden and/or fountain lighting.

Countdown and override features allow cycle interruptions when pool/spa service is required. All timing and protection associated with filter pump/booster pump combos and two-speed pumps has already been integrated into the digital software. The Mini-PE Series is available in both metal and plastic enclosures and with a wired remote command, freeze probe or both. See chart below for details.

Intermatic makes it simple to convert your Mini-PE Series Digital Control into a Wireless Control System. Simply install a Panel Mounted Transceiver (RC650) and Hand-Held Transceiver (PE950) to any Mini-PE Series control, which allows the system to display the status of each of the three circuits as well as pool or spa water temperature, pool or spa thermostat set point, heating status and overall communication status.

Applications

- Single Speed Pump/Booster Pump Combos
- Water Feature Applications
- Pool & Spa Lighting
- Two-Speed Pump/Booster Pump Combos
- Garden & Fountain Applications
- Landscape Lighting

Specifications

Case: NEMA 3R rated for indoor-outdoor installation. 9-3/8" (23.8 cm) high, 5-1/2" (14.0 cm) wide, 3-5/8" (9.2 cm) deep in beige finish. "P" suffix models are same dimensions, except made from outdoor grade plastic.

Knockouts: Combination 1/2" – 3/4" nominal knockouts, one on back and each side of case and two on bottom.

Switch Rating (each circuit): 20 Amp Resistive, 120/240 VAC, 50/60 Hz; 20 Amp FLA @ 120 VAC, 96 Amp LRA @ 120 VAC, 50/60 Hz; 17 Amp FLA @ 240 VAC, 80 Amp LRA @ 240 VAC, 50/60 Hz; 5 Amp Tungsten, 120/240 VAC, 50/60 Hz; 5 Amp Ballast, 120/240V VAC, 50/60 Hz

Shipping Weight: 3.7 lbs (1.7 kg)

Agency Approval: CSA/C-US



PE153



PE153W



PE153F



PE153WF

Model #	Description	Switch	Clock Supply Volts 50/60 Hz
PE153	Digital Time Clock in Metal Enclosure	3 - SPST	120 or 240
PE153W	Digital Time Clock in Metal Enclosure with 100' Wired Remote Command	3 - SPST	120 or 240
PE153F	Digital Time Clock in Metal Enclosure with Freeze Protection Probe	3 - SPST	120 or 240
PE153WF	Digital Time Clock in Metal Enclosure with 100' Wired Remote Command & Freeze Protection Probe	3 - SPST	120 or 240
PE153P	Digital Time Clock in Plastic Enclosure	3 - SPST	120 or 240
PE153PW	Digital Time Clock in Plastic Enclosure with 100' Wired Remote Command	3 - SPST	120 or 240
PE153PF	Digital Time Clock in Plastic Enclosure with Freeze Protection Probe	3 - SPST	120 or 240
PE153PWF	Digital Time Clock in Plastic Enclosure with 100' Wired Remote Command & Freeze Protection Probe	3 - SPST	120 or 240

NOTE: See page 16 for PE650 and PE950 specifications and page 15 for P1353ME specifications



PE 10000 Series Digital Pool or Spa Control Centers

For pool, spa or water feature applications, the PE Series Digital Controls include one P1353ME mechanism that controls a total of three timed circuits, including single speed or two-speed filter pumps, pool lights, spa lights and landscape lights. Countdown and override features allow programs to be interrupted for service and automatically resumed without reprogramming your system.

Intermatic makes it simple to convert your PE Series Digital Control into a Wireless Control System. Simply install a Panel-Mounted Transceiver (RC650) and a Hand-Held Transceiver (PE950) to any PE Series Control, which allows the system to display the status of each of the three circuits as well as pool or spa water temperature, pool or spa thermostat set point, heating status and overall communication status.

Applications

- Single speed pump/booster pump combos
- Water feature applications
- Pool & spa lighting
- Two-speed pump/booster pump combos
- Garden & fountain applications
- Landscape lighting

Specifications

Case: 14-3/4" (37.5 cm) high x 14-3/4" (37.5 cm) wide x 4-1/4" (10.8 cm) deep, 0.048" steel with electrostatically applied light beige finish.

Knockouts: One 1.09 diameter through hole, three 1/2" knockouts, seven combination 1/2"-3/4" knockouts, and two combination 3/4"-1" knockouts on the bottom. Two combination 1/2"-3/4" on the left side and one combination 3/4"-1" and one combination 1/2"-3/4" on the back. One knockout 1-3/4" x 2-3/4" on the right side for mounting switches or GFCI.

Center Rating: 90 Amp per leg, 180 Amp. maximum, 120/240 VAC or 120/208 VAC single phase

Switch Rating: P1353ME - See page 15

Shipping Weight: See table

Agency Approval: CSA/C-US

Model #	Description/Mechanism	Switch	Clock Supply Volts 50/60 Hz	Shipping Weight
PE10000	None	None	120 or 240	16.3 lbs (7.4 kg)
PE15300	P1353ME	3-SPST	120 or 240	16.3 lbs (7.4 kg)
PE15300F	P1353ME w/Freeze Probe	3-SPST	120 or 240	16.3 lbs (7.4 kg)

NOTE: See page 16 for PE650 and PE950 specifications and page 15 for P1353ME specifications



PE10000



PE15300



PE15300F



Digital Controls



PE20000



PE25300



PE25300F

PE20000 Series Digital Pool or Spa Control Panels

For pool, spa or water feature applications, the I-Wave PE3 Series Wireless Control System includes one P1353ME mechanism that controls a total of three timed circuits, including single speed or two-speed filter pumps, cleaner/booster pumps, pool lights, spa lights and landscape lights. Countdown and override features allow programs to be interrupted for service and automatically resumed without reprogramming your system.

Intermatic makes it simple to convert your PE Series Digital Control into a Wireless Control System. Simply install a Panel Mounted Transceiver (RC650) and a Hand-Held Transceiver (PE950) to any PE Series Control, which allows the system to display the status of each of the three circuits as well as pool or spa water temperature, pool or spa thermostat set point, heating status and overall communication status.

Applications

- Single Speed Pump/Booster Pump Combos
- Water Feature Applications
- Pool & Spa Lighting
- Two-Speed Pump/Booster Pump Combos
- Garden & Fountain Applications
- Landscape Lighting

Specifications

Case: 16-1/2" (41.9 cm) high x 10-7/8" (27.6 cm) wide x 4-1/4" (10.8 cm) deep, 0.048" steel with electrostatically applied light beige finish.

Knockouts: One 1.09 diameter through hole, six combination 1/2"-3/4" knockouts, and three combination 3/4"-1" knockouts on the bottom. Two combination 1/2"-3/4" on the left side and one combination 3/4"-1" on the back. One knockout 1-3/4" x 2-3/4" on the right side for mounting switches or GFCI.

Panel Rating: 60 Amp 120/240 V.A.C or 120/208 VAC single phase

Switch Rating: P1353ME - See page 15

Shipping Weight: See table

Agency Approval: CSA/C-US

Model #	Description/Mechanism	Switch	Clock Supply Volts 50/60 Hz	Shipping Weight
PE20000	None	None	120 or 240	20.0 lbs (9.0 kg)
PE25300	P1353ME	3-SPST	120 or 240	20.0 lbs (9.0 kg)
PE25300F	P1353ME w/Freeze Probe	3-SPST	120 or 240	20.0 lbs (9.0 kg)

Note: See page 16 for PE650 and PE950 specifications and page 15 for P1353ME specifications



PE30000 Series Digital Pool or Spa Control Panels

For pool, spa or water feature applications, the PE Series Digital Controls includes one P1353ME mechanism that controls a total of three timed circuits, including single-speed or two-speed filter pumps, cleaner/booster pumps, pool lights, spa lights and landscape lights. Countdown and override features allow programs to be interrupted for service and automatically resumed without reprogramming your system.

Intermatic makes it simple to convert your PE Series Digital Control into a Wireless Control System. Simply install a Panel Mounted Transceiver (RC650) and a Hand-Held Transceiver (PE950) to any PE Series Control, which allows the system to display the status of each of the three circuits as well as pool or spa water temperature, pool or spa thermostat set point, heating status and overall communication status.

Applications

- Single speed pump/booster pump combos
- Water feature applications
- Pool & spa lighting
- Two-speed pump/booster pump combos
- Garden & fountain applications
- Landscape lighting

Specifications

Case: 22" (55.9 cm) high x 14-3/4" (37.5 cm) wide x 4-1/4" (10.8 cm) deep, 0.048" steel with light beige finish.

Knockouts: One 1.09 diameter through hole, six combination 1/2"-3/4" knockouts, 2 combination 3/4", 1", 1-1/4" knockouts, four 1/2" knockouts on the bottom. Two combination 1/2"-3/4" knockouts on the left side and four combination 1/2"-3/4" knockouts, two combination 3/4"-1" on the back. One knockout 1-3/4" x 2-3/4" on the right side for mounting switches or GFCI.

Panel Rating: 80 Amp 120/240 VAC or 120/208 VAC single phase

Switch Rating: P1353ME - See page 15

Shipping Weight: See table

Agency Approval: CSA/C-US

Model #	Description/Mechanism	Switch	Clock Supply Volts 50/60 Hz	Shipping Weight
PE30000	None	None	120 or 240	16.3 lbs (7.4 kg)
PE35300	P1353ME	3-SPST	120 or 240	19.0 lbs (8.6 kg)

Note: See page 16 for PE650 and PE950 specifications and page 15 for P1353ME specifications

PE1500RC Series Mini-Wave Wireless Pool/Spa Control Panels

For pool/spa combinations or pool/water feature combinations, the PE1541RC includes a PB313E one circuit electronic timer for controlling the filter pump, two PE24VA valve actuators, Wireless Panel Mounted Transceiver (PE650) and Hand-Held Transceiver (PE950), which allows the system to display the status of each of the four on-demand circuits, pool and spa water temperature, pool and spa thermostat set point, heating status and overall communication status. PE1501RC does not include actuators and is designed for pool or spa applications.

Specifications

Panel Rating: 100 Amp 120/240 VAC or 120/208 VAC single phase

Switch Rating: 17A Resistive, 120/240 VAC., 50/60 Hz; 1.5 HP @ 120 VAC., 50/60 Hz; 3.0 HP @ 240 VAC., 50/60 Hz; 10 Amp Tungsten, 120/240 VAC, 50/60 Hz

Shipping Weight: 24.3 lbs. (10.9 kg)

Agency Approval: CSA/C-US

Model #	Description/Mechanism	Circuits	Actuators	Switch	Clock Supply Volts 50/60 Hz
PE1541RC	PB313E	4	2	4-DPST	120 or 240
PE1501RC	PB313E	4	None	4-DPST	120 or 240

Note: See Page 16 for PE650 and PE950 specifications



PE30000



PE35300



PE1541RC
"PE4" Series



Digital Controls

PE40000 Series I-Wave Wireless Pool/Spa Control Panels

For pool, spa or water feature applications, the PE Series Digital Controls includes one P1353ME mechanism that controls a total of three timed circuits, including single speed or two-speed filter pumps, cleaner/booster pumps, pool lights, spa lights and landscape lights. Countdown and override features allow programs to be interrupted for service and automatically resumed without reprogramming your system.

For pool/spa combinations or pool/water feature combinations, the PE45343RC includes all the features of the PE Series Digital Controls plus two PE24VA valve actuators, Wireless Panel Mounted Transceiver (PE650) and Hand-Held Transceiver (PE950) which allows the system to display the status of each of the five circuits (3 timed and 2 on-demand), pool and spa water temperature, pool and spa thermostat set point, heating status and overall communication status.

Applications

- Pool/Spa combinations
- Fountains
- Water features
- Pool/spa lighting
- Pool/water feature combinations
- Landscape lighting

Specifications

Case: 26.0" (66.3 cm) high x 18.0" (45.9 cm) wide x 5.5" (14.0 cm) deep, 0.048" steel with electrostatically applied light beige finish.

Knockouts: Two combination 3/4"-1"-1-1/4" and eleven combination 1/2"-3/4" knockouts on the bottom. Two 3/4"-1" combination and four combination 1/2"-3/4" knockouts on the back. Low voltage compartment has two combination 1/2"-3/4" knockouts and one 3/4" hole with a shutter bushing installed. Two combination 3/4"-1" and one combination 1/2"-3/4" knockouts. One 1-3/4" x 2-3/4" knockout on the right side.

Panel Rating: 125 Amp 120/240 V.A.C. or 120/208 V.A.C. single phase

Switch Rating: P1353ME and P4243ME – see page 15

Shipping Weight: See Table

Agency approval: CSA/C-US

Model #	Mechs/Description	Circuits	Transformer	Clock Supply Volts 50/60 Hz	Shipping Weight
PE40000	None	None	None	120 or 240	44.0 lbs. (19.8 Kg.)
PE45300	P1353ME	5	None	120 or 240	44.0 lbs. (19.8 Kg.)
PE45343RC	P1353ME and P4243ME	5	None	120 or 240	44.0 lbs. (19.8 Kg.)
PE45343RCT1	P1353ME and P4243ME	5	100 Watt	120 or 240	56.0 lbs. (25.2 Kg.)
PE45343RCT3	P1353ME and P4243ME	5	300 Watt	120 or 240	61.0 lbs. (27.5 Kg.)

NOTE: See page 16 for PE650 and PE650 and PE950 specifications and page 15 for P1353ME and P4243ME specifications



PE40000



PE45300



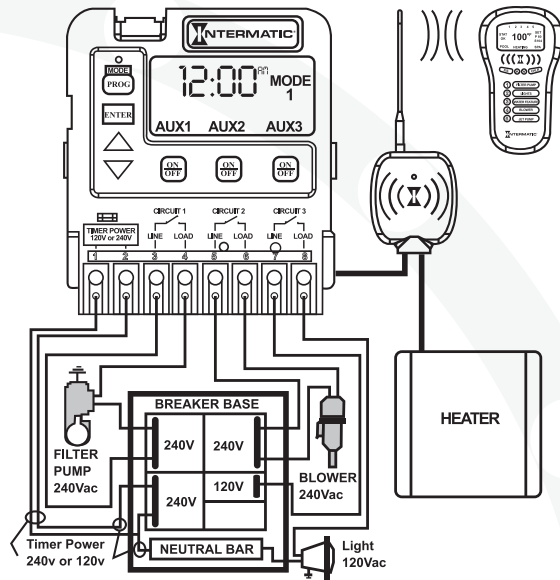
PE45343RC
"PE5" Series



Digital Control Applications



I-Wave Mechanism — Three Circuit Clock P1353ME



Mode 1 – (Aux1, Aux2, Aux3)

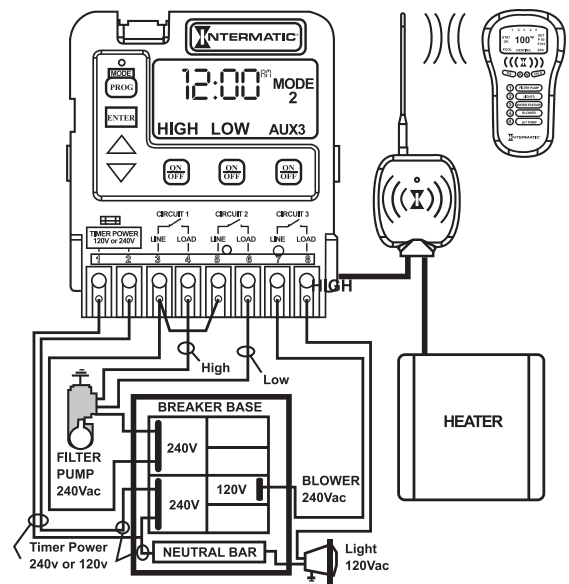
Each of the three single pole circuits are defined generically, and can control any load within each of its individual circuit ratings. All three circuits act independent of each other.

Applications – In Mode 1, the P1353ME Three Circuit Clock Mechanism is ideal for Pool or Spa only applications where each piece of equipment is independently controlled. With the addition of a PE650 Receiver and PE950 Transmitter, you can easily add wireless control to your equipment and in addition, add thermostat control to your Pool or Spa. Each of the three circuits are rated for up to 3HP and can handle both 120VAC and 240VAC equipment loads. This is by far the most versatile timer in the market today and can be added to almost all Intermatic control panels, both new and existing making it ideal for upgrades of an older Intermatic system.

Mode 2 – (Pump High, Pump Low, Aux3)

Circuit one and two are dedicated single pole outputs for a two-speed pump load. Circuits one and two will never be ON at the same time, consistent with a two-speed pump application. Circuit three is single pole circuit for a generic load, and independent of circuits one and two

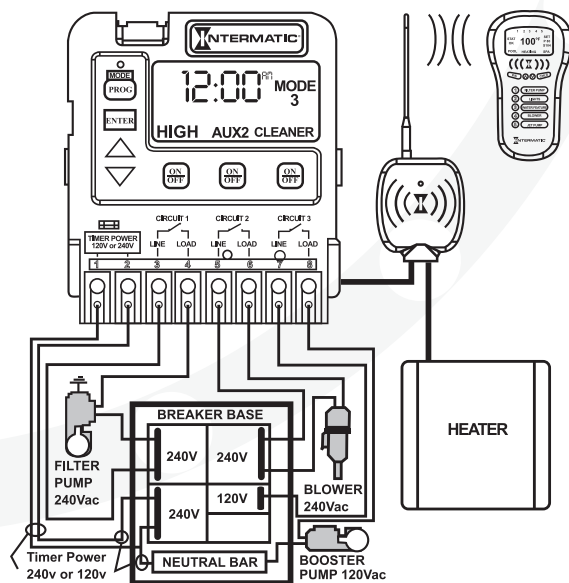
Applications – In Mode 2, the P1353ME Three Circuit Clock Mechanism acts as a Two Speed Controller and can be used for two speed pool applications but is ideal for Spa applications where the Filter Pump on the Spa is used for filtering in low speed and used for jets in high speed. The remaining circuit can be used for Spa lights or blower. With the addition of a PE650 Receiver and PE950 Transmitter, you can easily add wireless control to your equipment and in addition, add thermostat control to your Pool or Spa.



Mode 3 – (Pump, Aux2, Cleaner Pump)

Circuit one and three are dedicated single pole outputs for a single speed pump working with a pressure side cleaner pump. Circuit three will never come ON unless circuit one is ON for at least one minute, consistent with a pressure side cleaner pump. Circuit two is a single pole circuit for a generic load, independent of circuits one and three.

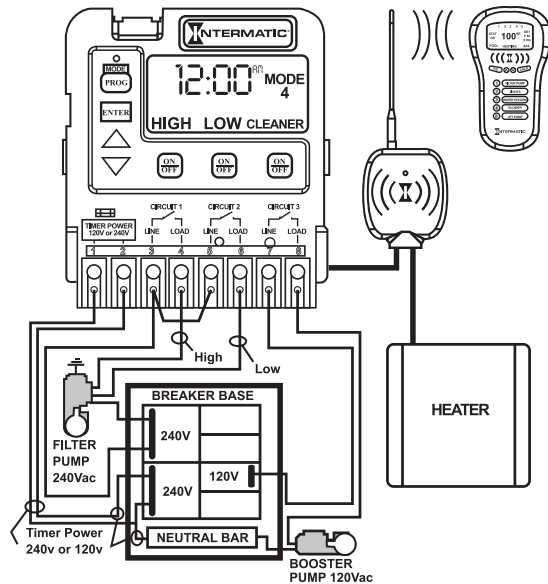
Applications – In Mode 3, the P1353ME Three Circuit Clock Mechanism is ideal for pool applications where a Booster/Cleaner pump is being controlled. In this mode, if the Filter Pump is OFF, the Booster/Cleaner pump will activate the Filter Pump first and then turn itself ON when activated. This ensures adequate priming of the Booster/Cleaner pump. The remaining circuit can be used for lights. With the addition of a PE650 Receiver and PE950 Transmitter, you can easily add wireless control to your equipment and in addition, add thermostat control to your Pool.





Digital Control Applications

I-Wave Mechanism — Three Circuit Clock P1353ME



Mode 4 – (Pump High, Pump Low, Cleaner Pump)

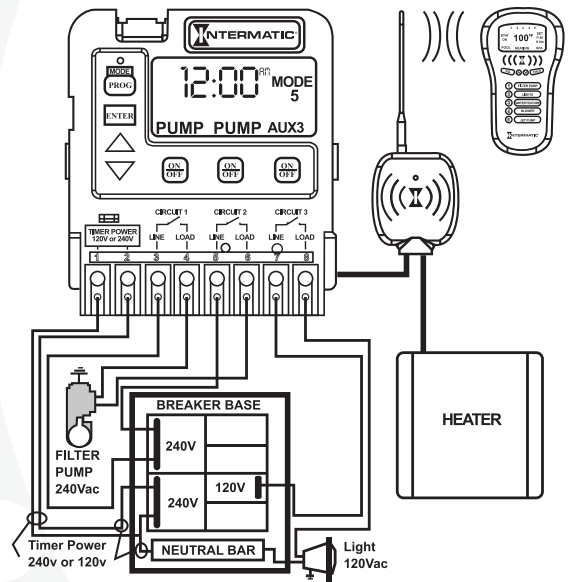
Circuit one and two are dedicated single pole outputs for a two-speed pump load. Circuits one and two will never be ON at the same time, consistent with a two-speed pump application. Circuit three is also a dedicated single pole output for a pressure side cleaner pump. Circuit three will never come ON unless circuit one is ON for at least one minute, consistent with a pressure side cleaner pump.

Applications – In Mode 4, the P1353ME Three Circuit Clock Mechanism acts as a Two Speed Controller and is ideal for pool applications where a Booster/Cleaner pump is being controlled. In this mode, if the Filter Pump is OFF or in low speed, the Booster/Cleaner pump will activate the Filter Pump in high speed first and then turn itself ON when activated. This ensures adequate priming of the Booster/Cleaner pump. With the addition of a PE650 Receiver and PE950 Transmitter, you can easily add wireless control to your equipment and add thermostat control to your Pool.

Mode 5 – (Pump, Pump, Aux3)

Circuit one and two are now coupled together making up one circuit capable of switching the power source to one pump. The ON/OFF button for circuit one now controls both circuit one and two simultaneously. The ON/OFF button for circuit two is disabled. Circuit three remains a single pole circuit for a generic load, and is independent of circuits one and two.

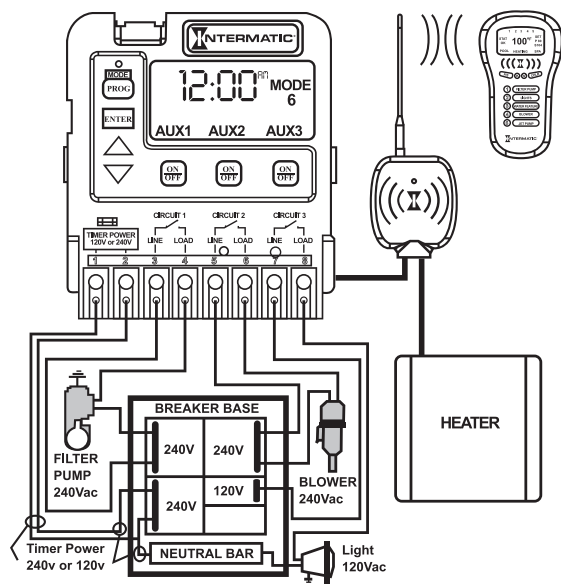
Applications – In Mode 5, the P1353ME Three Circuit Clock Mechanism acts as a two circuit clock to allow the breaking of both hot legs in a 240VAC equipment hookup on circuit #1. Even though the P1353ME is not a disconnect, and you can easily control a 240VAC load by breaking only one leg, some wiring situations may dictate breaking both legs of a 240VAC load. It is good service practice to always open the equipment circuit breaker and red tag it appropriately when working on pool or spa equipment. When working on equipment, DO NOT rely on any clock to disconnect power. The clock may be scheduled to turn ON during servicing.



Mode 6 – (Aux1, Aux2, Aux3)

Identical to Mode 1, in which each of the three single pole circuits are defined generically and can control any load within each of its individual circuit ratings, with all three circuits acting independent of each other. However, with Mode 6, the fireman switch closes only when Circuit 1 (the filter pump) is manually turned ON, not when the clock turns it ON. This mode is useful when you have Circuit 1 connected to a circulation pump in the spa. When the spa is not in use, the clock circulates the water to filter it, but does not turn ON the heater. When the spa is in use, the heater is also turned ON by manually switching Circuit 1 ON.

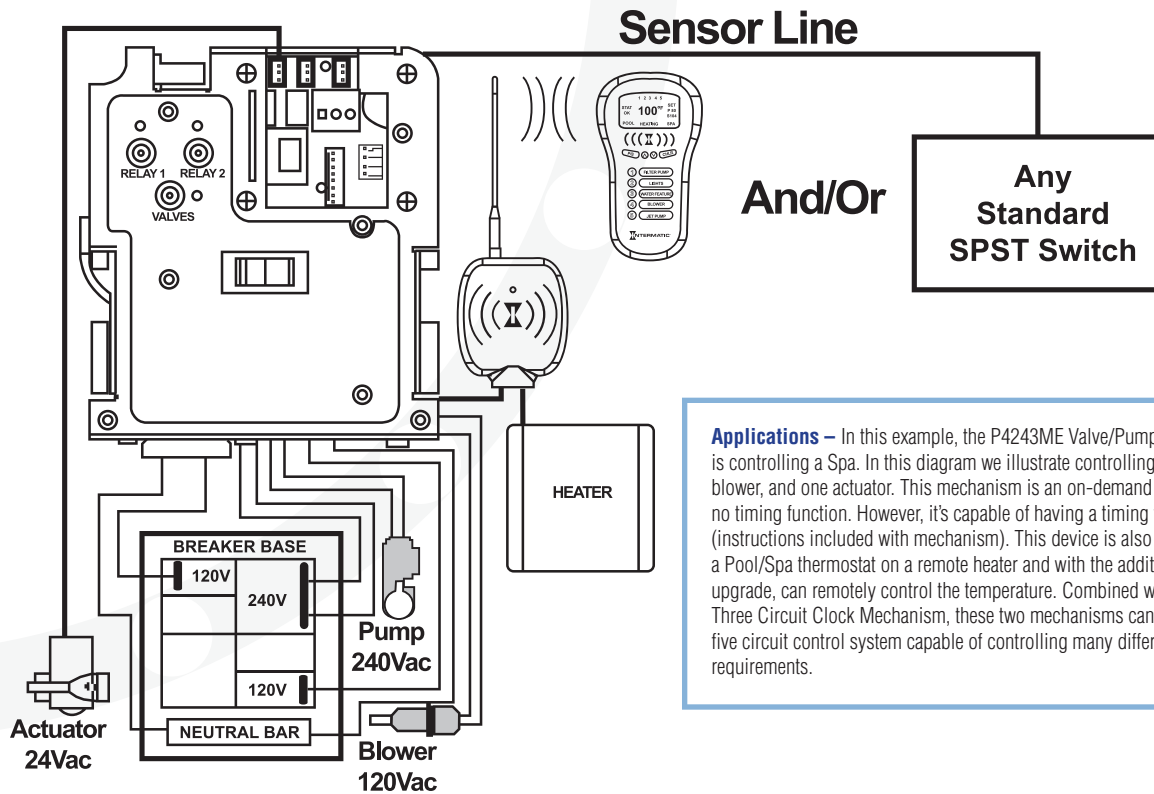
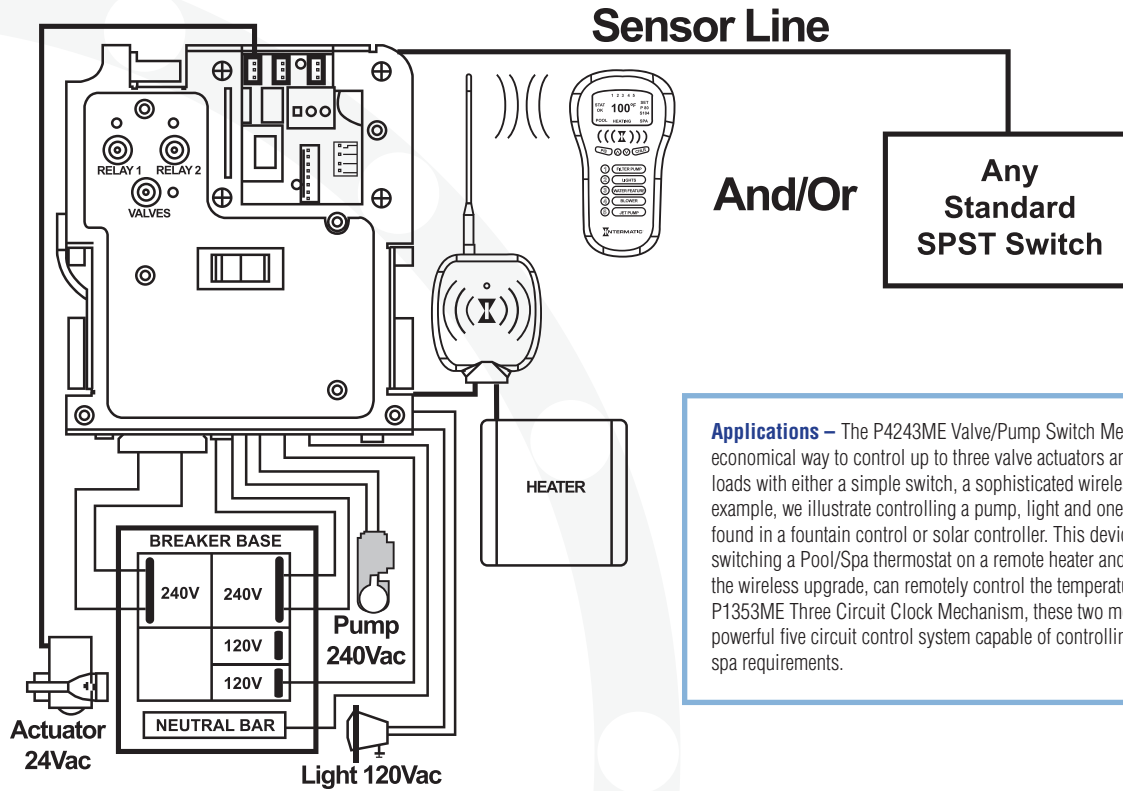
Applications – In Mode 6, the P1353ME Three Circuit Clock Mechanism is ideal for Spa applications where you need to control three pieces of individual equipment (Circulation Pump, Blower, Light), but do not want to heat the spa while it's not in use.



Digital Control Applications



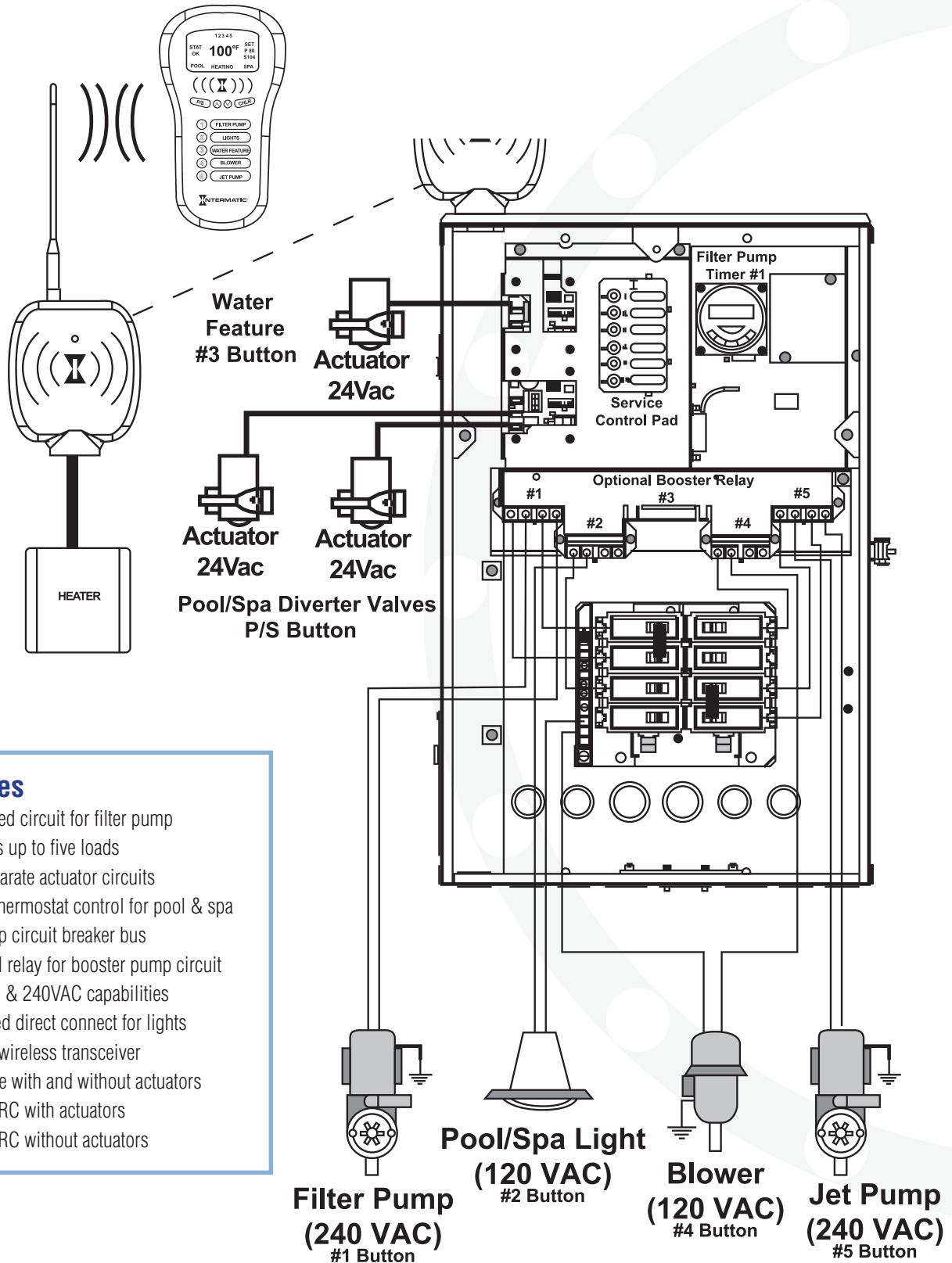
I-Wave Mechanism — Valve/Pump Switch P4243ME





Digital Control Applications

Mini-Wave Application PE1541RC & PE1501RC



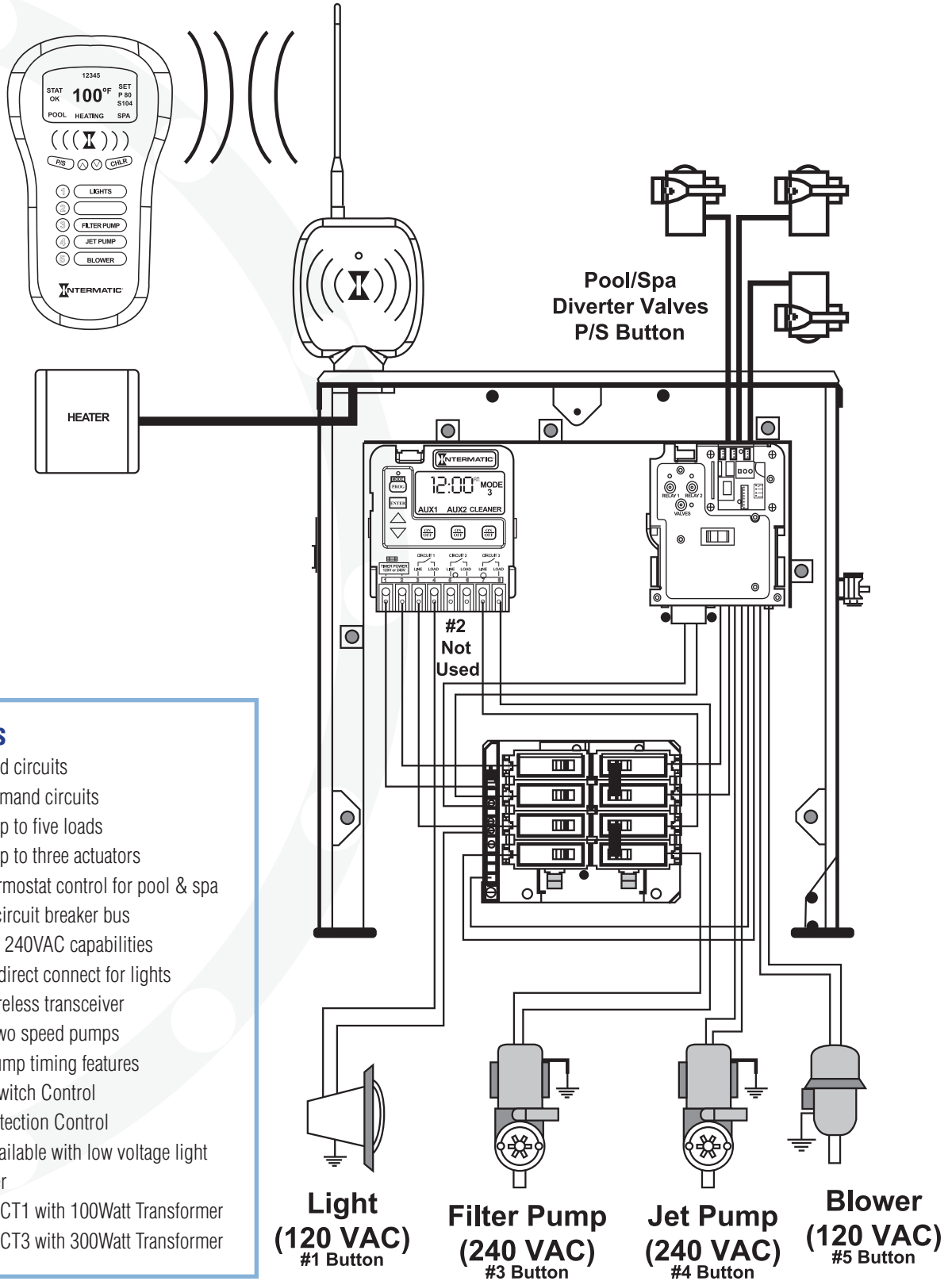
Features

- One timed circuit for filter pump
- Controls up to five loads
- Two separate actuator circuits
- Heater thermostat control for pool & spa
- 100 Amp circuit breaker bus
- Optional relay for booster pump circuit
- 120VAC & 240VAC capabilities
- Approved direct connect for lights
- Z-wave wireless transceiver
- Available with and without actuators
- PE1541RC with actuators
- PE1501RC without actuators

Digital Control Applications



I-Wave Application PE45343RC, PE45343RCT1 & PE45343RCT3



Features

- Three timed circuits
- Two on-demand circuits
- Controls up to five loads
- Controls up to three actuators
- Heater thermostat control for pool & spa
- 125 Amp circuit breaker bus
- 120VAC & 240VAC capabilities
- Approved direct connect for lights
- Z-wave wireless transceiver
- Controls two speed pumps
- Booster pump timing features
- Fireman Switch Control
- Freeze Protection Control
- Models available with low voltage light transformer
- PE45343RCT1 with 100Watt Transformer
- PE45343RCT3 with 300Watt Transformer



Electronic Time Switches



P1102ME



P1102FE



P1203FR

P1000 & P7000 Series Electronic Time Switches and Mechanisms

This line of electronic time switches in safety enclosures are specially suited for applications where a need to turn equipment up to 8 ON and OFF cycles daily, and where the automatic operation of the equipment requires occasional override by someone other than a qualified service professional. Electronic technology allows up-to-the-minute programming accuracy. The unique "door within the door" provides safe access to the timer control buttons, but prevents entry into the wiring compartment. Light indicator illuminates when timer is in ON position. An override feature is provided to allow pool service without interruption of ON-OFF settings. Select feature allows timer to be continuously ON, OFF or in Auto mode. The addition of a radio receiver (Model P1203FR) provides a 2nd circuit for any other load (light, blower etc.) requiring control from a remote location. Typical application for the clock circuit would be the pool pump, and a pool light for the radio circuit. In case of power failure, a replaceable battery preserves programming for up to three years.

Applications

- Filter pumps
- Pool/spa lights
- Water features
- Fountains

Specifications

Case: All plastic NEMA 3R rated for indoor-outdoor installation. 9-3/8" (23.9 cm) H, 5-1/2" (14.0 cm) W, 3-5/8" (9.2 cm) D in beige finish.

Knockouts: Combination 1/2" - 3/4" nominal knockouts, (1) on back and each side of case, and (2) on bottom.

Rating: P1102FE - 3.0 HP @ 240V, 30 Amp resistive; P1203FR - 1.5 HP @ 120V, 3.0 HP @ 240V, 30 Amp resistive; Radio Circuit - 15 Amp resistive, 10 Amp Tungsten, 1 HP motor load - 120 VAC

Shipping Weight: 3.75 lbs (1.7 kg)

Agency Approval: CSA/C-US

Mechanism Specifications

Size: Standard mechanism fits in all standard Intermatic time switch enclosures and swimming pool control panels.

Rating: P1102ME - 3HP @ 240V; P1103ME - 1.5HP @ 120V, 3.0HP @ 240V

P7101ME - 10 Amp Tungsten, 1 HP @ 120V; P7102ME - 3.0 HP @ 240V; P7103ME - 1.5HP @ 120V, 3.0HP @ 240V

Shipping Weight: 1.41 lbs (0.6 kg)

Model #	Description	Switch	Supply Voltage 50/60 Hz
P1102ME	24-hour electronic, mechanism only	One DPST	240V only clock & load
P1103ME	24-hour electronic, mechanism only	One DPST	120V for clock 120V or 240V for load
P7101ME	7-day electronic, mechanism only	One SPST	120V only clock & load
P7102ME	7-day electronic, mechanism only	One DPST	240V only for clock & load
P7103ME	7-day electronic, mechanism only	One DPST	120V for clock 120V or 240V for load
P1102FE	24-Hour Electronic Time Switch	One DPST	240V only clock & load
P1103FE	24-Hour Electronic Time Switch	One DPST	120V for clock 120V or 240V for load
P1203FR	24-Hour Electronic Time Switch Radio Receiver Module	One DPST One SPST	3.0 HP - 240V only clock & load 120V only receiver & load

Note: See page 30 for available metal and plastic enclosures

Mechanical Time Switches



T100M Series 24 Hour Mechanical Time Switch Mechanisms

These heavy duty Time Switch Mechanisms are designed for industrial, commercial and residential applications, and have the highest motor load ratings in the industry. They provide up to 12 ON-OFF operations each day with minimum ON-OFF time of 1 hour. All models are equipped with “ON” and “OFF” trippers and can be installed in almost all Intermatic enclosures.

Applications

- Filter pumps
- Heat pumps
- Lighting

Specifications

Switch Rating: 40 Amp Resistive each pole 120-480 VAC; 40 Amp Tungsten, inductive or 1000 VA pilot duty each pole 120-277 VAC; 2 HP (24 FLA) 120 VAC; 5 HP (28 FLA) 240 VAC.

Shipping Weight: See Table

Agency approval: CSA/C-US

Model #	Description/Mechanism	Switch	Clock Supply Volts 60 Hz	Shipping Weight
T101M	Mechanism only	SPST	120	1.4 lbs (0.6 kg)
T102M	Mechanism only	SPST	208-277	1.4 lbs (0.6 kg)
T103M	Mechanism only	DPST	120	1.4 lbs (0.6 kg)
T104M	Mechanism only	DPST	208-277	1.4 lbs (0.6 kg)
T106M	Mechanism only for 2-speed pump apps	SPDT	208-277	1.4 lbs (0.6 kg)

Note: See page 30 for available metal and plastic enclosures

T100M201 Series 24 Hour Mechanical Time Switch Mechanism with Heater Protection

This Time Switch Mechanism provides coordinated control for heater and filter pump operations. It is designed to turn OFF a gas fired swimming pool heater approximately 20 minutes before the filter pump shuts down. This eliminates the problem of pounding and knocking due to overheated water, reduces scale and lime deposits and extends the service life of the heater. The 24-hour dial allows up to 12 ON-OFF operations each day. One set of “ON” and “OFF” trippers are supplied with each switch. Minimum ON-OFF time is one hour. Additionally, this mechanism can be installed in almost all Intermatic enclosures.

Applications

- Pool and/or spa pumps with gas fired heaters

Specifications

Switch Rating: 40 Amp Resistive each pole 120-480 VAC; 40 Amp Tungsten, inductive or 1000 VA pilot duty each pole 120-277 VAC; 2 HP (24 FLA) 120 VAC; 5 HP (28 FLA) 240 VAC.

Heater Control Circuit: 10 Amp, 240V. max

Shipping Weight: See Table

Agency approval: CSA/C-US

Model #	Description/Mechanism	Switch	Clock Supply Volts 60 Hz	Shipping Weight
T104M201	Mechanism only with heater protection	DPST	208-277	1.4 lbs (0.6 kg)

Note: See page 30 for available metal and plastic enclosures



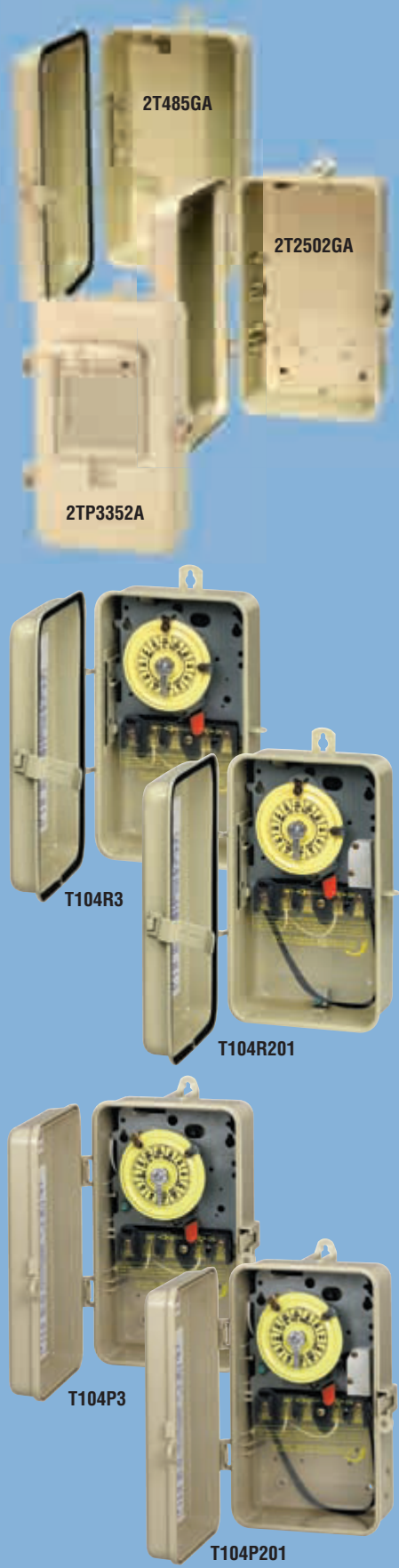
T104M



T104M201



Mechanical Time Switches



T100 Series Pool/Spa Time Switches

These heavy duty Mechanical Time Switches are designed for industrial, commercial and residential applications and have the highest motor load ratings in the industry. They provide up to 12 ON-OFF operations each day with a minimum ON-OFF time of 1 hour. All models are equipped with "ON" and "OFF" trippers and they are available in either plastic or metal indoor/outdoor enclosure.

T100R201 and T100P201 Series Time Switches are designed to turn OFF a gas fired swimming pool heater approximately 20 minutes before the filter pump shuts down. This eliminates the problem of pounding and knocking due to overheated water, reduces scale and lime deposits and extends the service life of the heater.

Applications

- Booster pumps
- Fans
- Heat pumps
- Lighting
- Air conditioning
- Swimming pool and/or spa filter pumps with gas fired heaters
- Hydrochlorinators
- Music and signal system

Specifications

Case: NEMA 3R rated for indoor-outdoor installation. 0.034" drawn steel 9-3/8" (23.8 cm) H, 5-1/2" (14.0 cm) W x 3-5/8" (9.2 cm) D in beige finish. "P" models are the same as above, except made from outdoor grade plastic.

Knockouts: Combination 1/2"-3/4" nominal knockouts, (1) on back and each side of case and (2) on bottom.

Switch Rating: 40 Amp Resistive each pole 120-480 VAC; 40 Amp Tungsten, inductive or 1000 VA pilot duty each pole 120-277 VAC; 2 HP (24 FLA) 120 VAC; 5 HP (28 FLA) 240 VAC.

Heater Protection Circuit: 10 Amp, 240 V. max.

Shipping Weight: 3.75 lbs (1.7 kg)

Agency Approval: CSA/C-US

Model #	Description	Switch	Clock Supply Volts 60Hz
2T485GA	Metal enclosure only	None	NA
2T2502GA	Plastic enclosure only	None	NA
2TP3352A	Plastic enclosure only with safety door	None	NA
T101P3	Time switch in plastic enclosure	SPST	120
T104P3	Time switch in plastic enclosure	DPST	208-277
T101R3	Time switch in metal enclosure	SPST	120
T104R3	Time switch in metal enclosure	DPST	208-277
T101P201*	Time switch in plastic enclosure w/heater protection	SPST	120
T104P201*	Time switch in plastic enclosure w/heater protection	DPST	208-277
T101R201*	Time switch in metal enclosure w/heater protection	SPST	120
T104R201*	Time switch in metal enclosure w/heater protection	DPST	208-277

* The heater protection switch (fireman switch) is closed when the time switch contacts are open to allow remote operation of the heater. A flow or pressure switch therefore must always be part of the heater control circuit.

For additional trippers (1 ON / 1 OFF per pack), order No. 156T1978A.

For additional "OFF" trippers (25 "OFF" per pack), order No. PA115

Note: See page 29 for a detailed list of replacement mechanisms.

Mechanical Controls



T10000R Series Pool/Spa Control Centers

The T10000R Series Control Centers feature an all-weather enclosure and contain one or two heavy duty timer mechanisms. In addition, they have provision to install switches or GFCI receptacle on the side and additional switches inside. The enclosure accepts any combinations of P1353ME or P4243ME or T100M or RC2000M or PF1000M Series mechanisms.

Applications

- Filter Pumps-Booster Pump Combinations
- Filter Pump-Light Controls
- Pool-Spa Combinations
- Yard Lighting
- Signs

Specifications

Case: 12" (30.5 cm) H x 12" (30.5 cm) W x 4-1/4" (10.8 cm) D, 0.048" steel with electrostatically applied light beige finish.

Knockouts: Five combination 1/2"-3/4" and two combination 3/4"-1" knockouts on the bottom. One combination 1/2"-3/4" on the left side and one combination 3/4"-1" on the back. One knockout 1-3/4" x 2-3/4" on the right side for mounting switches or GFCI.

Center Rating: 92 Amp per leg, 168 Amp Max. 120-240 VAC or 120-208 VAC single phase - 60 Hz.

Time Switch Rating: 30 Amp Resistive Inductive, Tungsten or 1000 VA pilot duty each pole 120/208/240 VAC; 2 HP (24 FLA) - 120 VAC; 5 HP (28 FLA) - 240 VAC

Shipping Weight: See Table.

Agency Approval: CSA/C-US

Model #	Description/Mechanism	Switch	Clock Supply Volts 60 Hz	Shipping Weight
T10000R	Enclosure Only	None	NA / NA	9.3 lbs (4.2 kg)
T10101R	Two T101M	SPST / SPST	120 / 120	11.0 lbs (5.0 kg)
T10004R	One T104M	NA / DPST	NA / 240	10.5 lbs (4.7 kg)
T10404R	Two T104M	DPST / DPST	240 / 240	11.0 lbs (5.0 kg)
T10604R*	T106M & T104M	SPDT / DPST	240 / 240	11.0 lbs (5.0 kg)
T12404R**	T104M201 & T104M	DPST / DPST	240 / 240	11.0 lbs (5.0 kg)

* For 2 Speed Pump Applications.

** The heater protection switch (fireman switch) is closed when the time switch contacts are open to allow remote operation of the heater. A flow or pressure switch therefore must always be part of the heater control circuit.

For additional trippers (1 "ON" 1 "OFF" per pack), order No. 156T1978A.

For additional "OFF" trippers (25 "OFF" per pack), order No. PA115.

For stand-offs for décor knockouts (4 stand-offs per pack), order No. 21T156A.

Note: See Page 29 for a detailed list of replacement mechanisms.



T10000R



T10004R



T10404R



Mechanical Controls

T20000R Series 60 Amp Pool/Spa Control Panels

The T20000R Series Control Panels feature an all-weather enclosure and contain a 4 circuit breaker base, an equipment grounding bar and a mechanical time switch mechanism. The circuit breaker base accepts interchangeable type breakers made by a number of different manufacturers. In addition, the enclosure has provision for installing additional switches or GFCI receptacles on the side and inside.

Applications

- Filter Pumps
- Signs
- Lights
- Air Conditioners
- Ventilating Systems
- Heaters

Specifications

Case: 16-3/4" (42.6 cm) H x 8-7/8" (22.5 cm) W x 4-3/8" (11.1 cm) D. 0.048" steel with electrostatically applied light beige finish.

Knockouts: Five combination 1/2"-3/4" and three 3/4" - 1" on the bottom, one combination 1/2"-3/4" on the left side, one 3/4"-1" on the back and one combination 1-3/4" x 2-3/4" knockout on the right side for mounting switches or GFCI.

Panel Rating: 60 Amp 120/240 VAC or 120/208 VAC; Single Phase-60 Hz

Time Switch Rating: 30 Amp Resistive Inductive, Tungsten or 1000 VA pilot duty each pole 120/208/240 VAC; 2 HP (24 FLA) - 120 VAC; 5 HP (28 FLA) - 240 VAC

Shipping Weight: See table.

Agency Approval: CSA/C-US

Model #	Description/Mechanism	Switch	Clock Supply Volts 60 Hz	Shipping Weight
T21000R	Enclosure only	None	NA	11.2 lbs (5.0 kg)
T21001R	T101M	SPST	120	14.0 lbs (6.3 kg)
T21004R	T104M	DPST	240	14.0 lbs (6.3 kg)
T20004R*	T104M	DPST	240	14.0 lbs (6.3 kg)

- T20004R has a limited availability, T21004R is the replacement model.
- For additional trippers (1 "ON" 1 "OFF" per pack), order No. 156T1978A
- For additional "OFF" trippers (25 "OFF" per pack), order No. PA115
- For stand-offs for décor knockouts (4 stand-offs per pack), order No. 21T156A

Note: See Page 29 for a detailed list of replacement mechanisms.



T21000R



T21004R



T20004R

Mechanical Controls



T30000R Series 100 Amp Pool/Spa Control Panels

The T30000R Series Control Panels reduce installation costs and provide all of the electrical requirements for any pool and/or spa installation. They offer an all-in-one electrical control center which can be custom wired for a wide variety of requirements, and eliminate the need for additional junction boxes and service panels. The enclosure accepts any combinations of P1353ME or P4243ME or T100M or RC2000M or PF1000M Series mechanisms.

Applications

- Filter Pumps
- Cleaning Systems
- Yard Lights
- Booster Pumps
- Security Systems
- Heating Systems
- Fountains
- Lights
- Sprinkler Systems

Specifications

Case: 16-1/2" (41.9 cm) H x 10-7/8" (27.6 cm) W x 4-1/4" (10.8 cm) D, 0.048" steel with electrostatically applied beige finish.

Knockouts: Two 1/2", three combination 1/2"-3/4", and two combination 3/4"-1" knockouts on the bottom. Four 1/2", three combination 1/2"-3/4" on the back. One combination 3/4"-1" on the left side. One 1-3/4" x 2-3/4" knockout on the right side for mounting switches and GFCI.

Panel Rating: 100 Amp., 120-240 VAC or 120-208 VAC single phase - 60Hz.

Time Switch Rating: 30 Amp Resistive Inductive, Tungsten or 1000 VA pilot duty each pole 120/208/240 VAC; 2 HP (24 FLA) - 120 VAC; 5 HP (28 FLA) - 240 VAC

Shipping Weight: See table.

Agency Approval: CSA/C-US

Model #	Description/Mechanism	Switch	Clock Supply Volts 60 Hz	Shipping Weight
T30000R5	Enclosure Only	None	NA / NA	18.6 lbs (8.4 kg)
T30004R	One T104M	None / DPST	NA / 240	18.6 lbs (8.4 kg)
T30401R	T104M & T101M	DPST / SPST	240 / 120	18.6 lbs (8.4 kg)
T30404R	Two T104M	DPST / DPST	240 / 240	18.6 lbs (8.4 kg)
T30604R	T106M & T104M	SPDT / DPST	240 / 240	18.6 lbs (8.4 kg)
T32404R*	T104M201 & T104M	DPST / DPST	240 / 240	18.6 lbs (8.4 kg)

* The heater protection switch (fireman switch) is closed when the time switch contacts are open to allow remote operation of the heater. A flow or pressure switch therefore must always be part of the heater control circuit.

For additional trippers (1 "ON" 1 "OFF" per pack), order No. 156T1978A.

For additional "OFF" trippers (25 "OFF" per pack), order No. PA115.

For stand-offs for décor knockouts (4 stand-offs per pack), order No. 21T156A.

Note: See Page 29 for a detailed list of replacement mechanisms.



T30000R5



T30004R



T32404R



Mechanical Controls

T4000R Series 125 Amp Pool/Spa Control Panels

The T4000R Series Control Panels reduce installation costs and provide all of the electrical requirements for any pool and/or spa installation. They offer an all-in one electrical control center which can be custom wired for a wide variety of requirements, and eliminate the need for additional junction boxes and service panels. The enclosure accepts any combinations of P1353ME or P4243ME or T100M or RC2000M or PF1000M Series mechanisms.

Applications

- Filter Pumps
- Cleaning Systems
- Yard Lights
- Booster Pumps
- Security Systems
- Heating Systems
- Fountains
- Lights
- Sprinkler Systems

Specifications

Case: 20-3/4" (52.7 cm) high x 12-3/4" (32.4 cm) wide x 4-1/4" (10.8 cm) deep, 0.048" steel with electrostatically applied light beige finish.

Knockouts: Seven combination 1/2"-3/4" and three combination 3/4"-1" knockouts on the bottom. Five combination 1/2"-3/4" on the left side. One 1-3/4" x 2-3/4" knockout on the right side for mounting switches and GFCI.

Panel Rating: 125 Amp max. 120-240 VAC or 120-208 VAC single phase - 60Hz.

Time Switch Rating: 30 Amp Resistive Inductive, Tungsten or 1000 VA pilot duty each pole 120/208/240 VAC; 2 HP (24 FLA) - 120 VAC; 5 HP (28 FLA) - 240 VAC

Shipping Weight: See table.

Agency Approval: CSA/C-US

Model #	Description/Mechanism	Switch	Clock Supply Volts 60 Hz	Shipping Weight
T4000R	Enclosure Only	None	NA	16.0 lbs (7.2 kg)
T4004R	One T104M	DPST	NA / 240	20.5 lbs (9.2 kg)
T4040R	Two T104M	DPST	240 / 240	21.2 lbs (9.5 kg)

For additional trippers (1 "ON" 1 "OFF" per pack), order No. 156T1978A.

For additional "OFF" trippers (25 "OFF" per pack), order NO. PA115.

For stand-offs for décor knockouts (4 stand-offs per pack), order No. 21T156A.

Note: See Page 29 for a detailed list of replacement mechanisms.



T4000R



T4004R



T4040R

Mechanical Controls



T4000R Series 100 Amp Specialty Control Panels

These specialty Control Panels are the same as the T4000R Series, except they have been designed for specialty applications. Models include a factory installed GFCI, or stainless steel panel for high corrosive environments or an inside wiring compartment for two devices. These enclosures accept any combinations of T100M, P1353ME, P4243ME or T100M or RC2000M or PF1000M Series mechanisms.

Applications

- Filter Pumps
- Cleaning Systems
- Yard Lights
- Booster Pumps
- Security Systems
- Heating Systems
- Fountains
- Lights
- Sprinkler Systems

Specifications

Case: 20-3/4" (52.7 cm) high x 12-3/4" (32.4 cm) wide x 4-1/4" (10.8 cm) deep, 0.048" steel with electrostatically applied light beige finish. T40004SS: Stainless steel - same dimensions.

Knockouts: Seven combination 1/2"-3/4" and three combination 3/4"-1" knockouts on the bottom. Five combination 1/2"-3/4" on the left side. One 1-3/4" x 2-3/4" knockout on the right side for mounting switches and GFCI.

Panel Rating: 115 Amp. 120-240 VAC or 120-208 VAC single phase - 60 Hz.

Time Switch Rating: 30 Amp Resistive Inductive, Tungsten or 1000 VA pilot duty each pole 120/208/240 VAC; 2 HP (24 FLA) - 120 VAC; 5 HP (28 FLA) - 240 VAC

Shipping Weight: See table.

Agency Approval: CSA/C-US

Model #	Description/Mechanism	Switch	Clock Supply Volts 60 Hz	Shipping Weight
T4000R4*	Inside Compartment	None / None	NA / NA	19.4 lbs (8.7 kg)
T40004RSS**	One T104M	None / DPST	NA / 240	20.5 lbs (9.2 kg)
T40004R5	One T104M & GFCI Installed	None / DPST	NA / 240	21.6 lbs (9.7 kg)
T40404R5	Two T104M & GFCI Installed	DPST / DPST	240 / 240	24.6 lbs (11.0 kg)

* Enclosure only with inside wiring compartment for twist-lock receptacle and GFCI.

** Stainless Steel Enclosure.

For additional trippers (1 "ON" 1 "OFF" per pack), order No. 156T1978A.

For additional "OFF" trippers (25 "OFF" per pack), order NO. PA115.

For stand-offs for décor knockouts (4 stand-offs per pack), order No. 21T156A.

Note: See Page 29 for a detailed list of replacement mechanisms.



T4000R4



T40004RSS



T40004R5



Air Operated Controls



RC2133M



RC2133P



RC2123MT



RC2343PT



RC2403RT

RC2000 Series Multi-Function Air Switch Mechanisms

These Air Switches provide remote control for one, two or three separate loads. A push button connected to the mechanism with a flexible air hose enables the user for example, to operate a pump a blower and a light up to 75 feet away. In addition, models with a "T" suffix have a 24-hour digital, multiple program timer that turns a single or two-speed pump ON-OFF several times per day. The air buttons and air hose are not included and must be purchased separately.

The RC2403RT model controls a single speed or two-speed filter pump, a blower and an independent 30 Amp circuit. Comes complete with 2 air buttons and 75' air hoses.

Applications

- Filter pumps
- Jet pumps
- Lights
- Booster pumps
- Blowers
- Heaters

Specifications

Case: For indoor/outdoor installation, beige plastic, 9-3/8" (23.8 cm) high x 5-1/2" (14.0 cm) wide x 3-3/4" (9.5 cm) deep. RC2403RT, 12.0" (30.5 cm) high x 12.0" (30.5 cm) wide x 4.25" (10.8 cm) deep.

Knockouts: Plastic Enclosure: Four combination 1/2"-3/4", one on each side of case and two on bottom. RC2403RT - Five combination 1/2"-3/4" and two combination 3/4"-1" knockouts on the bottom. One combination 1/2"-3/4" on the left side and one combination 3/4"-1" on the back. One knockout 1-3/4" x 2-3/4" on the right side for mounting switches or GFCI.

Electrical Rating: 20 Amp resistive 120-240 VAC, 1 HP, 120 VAC, 2 HP, 240 VAC each circuit.

Voltage: All models operate on 120 VAC (Line and Neutral) or 240 VAC (Line 1, Line 2 and Neutral).

Shipping Weight: 4.4 lbs (2.0 kg): RC2403RT; 19 lbs. (8.6 kg)

Agency Approval: CSA/C-US

Model #	Description	Switch	Clock Supply Volts 60Hz
RC2133P	ON/OFF or HIGH LOW	DPDT	120/240
RC2133M	ON/OFF or HIGH LOW, mechanism only	DPDT	120/240
RC2123PT	ON/OFF or HIGH LOW with timer	SPDT	120/240
RC2123MT	ON/OFF or HIGH LOW, with timer mechanism only	SPDT	120/240
RC2233P	Two circuit ON/OFF	DPDT & DPST	120/240
RC2233M	Two circuit ON/OFF, mechanism only	DPDT & DPST	120/240
RC2343P	Two circuit sequential	4-function	120/240
RC2343M	Two circuit sequential, mechanism only	4-function	120/240
RC2343PT	Two circuit sequential with timer	4-function	120/240
RC2343MT	Two circuit sequential with timer, mechanism only	4-function	120/240

RC2403RT Specifications/Features

Voltage	120/240
Remote Control	Air - Sequential
Filter Pump	Timer Controlled in Pool Mode
	Single or Two Speed
Heater Control	NO
Heater Protection (Fireman Switch)	NO
Blower	YES
Independent Circuit (20 Amp R, 1.5 HP - 120V; 3 HP - 240V) DPST	Air - ON/OFF

Air Operated Controls



RC2100 & RC2200 Series Air or Remote Operated Pool/Spa Controls

This line of Air or Remote Operated Controls is specially designed to control pool/spa combinations economically and reliably away from the equipment. With one touch, these units automatically override the 24 HR. timer and turn ON the filter pump, switch the valves from pool-filter mode to the spa/water feature mode and switch the compatible dual thermostat on the heater/heat pump from the pre-set pool temperature to the pre-set spa temperature. Comes complete with two PE24VA 24-Volt valve actuators.

Applications

- Pool/spa combinations
- Pool/water feature combinations

Specifications

RC2163E, RC2163FE, RC2263E

Case: 12" (30.5 cm) H x 12" (30.5 cm) W x 4-1/4" (10.8 cm) D, 0.048" steel with electrostatically applied light beige finish.

Knockouts: Five combination 1/2"-3/4" and two combination 3/4"-1" knockouts on the bottom. One combination 1/2"-3/4" on the left side and one combination 3/4"-1" on the back. One knockout 1-3/4" x 2-3/4" on the right side for mounting switches or GFCI.

Electrical Rating: See table below. Actuator Circuit: 24V. - 40 Amp Max.

RC2163BE, RC2163BEFE, RC2263BE

Case: 16-1/2" (41.9 cm) H x 10-7/8" (27.6 cm) W x 4-1/4" (10.8 cm) D, 0.048" steel with electrostatically applied beige finish.

Knockouts: Two 1/2", three combination 1/2"-3/4", and two combination 3/4"-1" knockouts on the bottom. Four 1/2", three combination 1/2"-3/4" on the back. One combination 3/4"-1" on the left side. One 1-3/4" x 2-3/4" knockout on the right side for mounting switches and GFCI.

Panel Rating: 100 Amp 120-240 VAC. or 120-208 VAC single phase - 60 HZ.

Electrical Rating: See table below. Actuator Circuit: 24V. - 40 Amp Max.

Shipping Weight: See table below.

Agency Approval: CSA/C-US



RC2163E



RC2263BE

Specifications/Features	RC2163E	RC2163FE	RC2263E
Voltage	120/240	120/240	120/240
Remote Command	1-Air	Any Switch*	1-Air
Filter Pump Timer Controlled in Pool Mode	Y	Y	Y
Single Speed Only 1.5 HP - 120V; 3HP - 240V.	Y	Y	NA
Single or Two Speed 1 HP - 120V; 2 HP - 240V.	NA	NA	Y
Heater Control	Y	Y	Y
Number of Valve Actuator Connections	3	3	3
Blower 1 HP - 120V; 2 HP - 240V.	NO	NO	Y
Shipping Weight (lbs)	20.0 (9.0 kg)	20.0 (9.0 kg)	23.7 (10.7 kg)
Reference Picture	RC2163E	RC2163E	RC2163E

*Can use spring wound timer, toggle switch or wireless receiver (RC613) with transmitter (RC939) to operate equipment

Specifications/Features	RC2163BE	RC2163BEFE	RC2263BE
Voltage	120/240	120/240	120/240
Remote Command	1-Air	Any Switch*	1-Air
Filter Pump Timer Controlled in Pool Mode	Y	Y	Y
Single Speed Only 1.5 HP - 120V; 3HP - 240V.	Y	Y	NA
Single or Two Speed 1 HP - 120V; 2 HP - 240V.	NA	NA	Y
Heater Control	Y	Y	Y
Number of Valve Actuator Connections	3	3	3
Blower 1 HP - 120V; 2 HP - 240V.	NO	NO	Y
Number of Breaker Space	8/16	8/16	8/16
Shipping Weight (lbs)	24.3 (10.9 kg)	24.3 (10.9 kg)	28.0 (12.6 kg)
Reference Picture	RC2263BE	RC2263BE	RC2263BE

*Can use spring wound timer, toggle switch or wireless receiver (RC613) with transmitter (RC939) to operate equipment



Air Operated Controls



RC2103S



RC4G



RC6F



RC150



RC122B



RC510

RC Series Single Circuit Air Switches & Accessories

These Air Switches are designed to control one piece of equipment with one air button. The switch can safely control loads without electricity at the pool or spa or tub side, for example a pump, blower or a light. Each time pressure is applied to the remote air button the connected equipment will operate as described in the table. Model with suffix "T" has a built-in 10 minute automatic shut down timer. However, the operation can be stopped any time during the cycle by simply pressing the air button.

Applications

- Pumps
- Air Blowers
- Heaters
- Lights

Specifications

Case: Plastic for indoor/outdoor installation. 4-1/8" (10.5 cm) high x 4-1/8" (10.5 cm) wide x 3-3/8" (8.6 cm) deep.

Electrical Rating: 20 Amp resistive 120-240 V.A.C., 1 H.P., 120 V.A.C., 2 H.P., 240 V.A.C.

Voltage: All models (except as noted) operate either on 120 V.A.C., (Line and Neutral) or 240 V.A.C., (Line 1, and Line 2 and Neutral). On 50 Hz. operation, models with suffix "T" will time out in 11 minutes.

Maximum Range: See table and note.

Shipping Weight: See table.

Agency Approval: CSA/C-US

Note: The actual distance between the control and air button depends on the amount of displaced air, the inside diameter of the air hose and other factors beyond the control of the manufacturer.

Model	Description	Switch	Distance	Shipping Weight
RC2103S	ON/OFF	SPST	100 ft	2.0 lbs (0.09 kg)
RC2112S*	ON/OFF	DPST	100 ft	2.0 lbs (0.09 kg)
RC2123S	HIGH/LOW	SPDT	100 ft	2.0 lbs (0.09 kg)
RC2113ST	ON/AUTO OFF	DPST	100 ft	2.0 lbs (0.09 kg)
RC2103E	ON/OFF	SPST	35 ft	2.0 lbs (0.09 kg)

* 240 Volt only.

** 120 Volt only.

Model	Description	Distance/Length	Case Qty	Case Weight
RC4G	Air button for gunite spas	100 ft.	10	1.0 lbs (0.5 kg)
RC4F	Air button for fiber glass spas	100 ft.	10	1.0 lbs (0.5 kg)
RC6F	Air button - universal	150 ft.	10	1.0 lbs (0.5 kg)
RC117	Air tubing	75 ft.	10	12.0 lbs (5.4 kg)
RC150	Air tubing	500 ft.	10	15.0 lbs (6.7 kg)
RC122B	Air tubing and RC4G	25 ft.	10	4.5 lbs (2.0 kg)
RC127B	Air tubing and RC4G	75 ft.	10	13.0 lbs (5.9 kg)
RC510	(10) Air tubing coupler	N/A	1	0.1 lbs (0.05 kg)

Radio Remote Controls



RC600 & RC900 Series Outdoor Radio Remote Controls

These Modular Radio Receivers are one half of a two part remote control system. They operate as ordinary ON/OFF switches but they also respond to the signals of a hand held transmitter — the other half of the system. The modules are designed for indoor or outdoor use, and can handle a variety of switching applications, typical around the house or farm. By the push of a button on the face of the transmitter, the user is able to turn ON-OFF the connected load (lights, pump, etc.) from any remote location, inside or outside of the house, safely and conveniently. In addition, a single transmitter can operate up to three receivers and is able to “teach” each module a different code (Transmitter model RC939 sold separately).

Applications

- Pool/spa pumps, lights & heaters
- Fountain pumps
- Outdoor lighting
- Air blowers
- Signs
- Motorized gates
- Pool/spa combinations
- Water features
- Motorized valves

Specifications

Enclosure: Beige outdoor grade plastic.

Electrical Rating: See table.

Maximum Range: 100 ft. See transmitter model RC939 for details.

Agency Approval: CSA/C-US

Model #	Description	Electrical Rating	Size	Shipping Weight
RC613	Receiver with ON/OFF button	15 Amp Resistive, 10 Amp (1200 W) Tungsten, 1 HP, motor load - 120 V	4-1/2" H (11.4 cm) 3" W (7.6 cm), 1-1/4" D (4.0 cm)	0.5 lbs (0.2 kg)
RC613L	RC613 with (3) 36" long leads	Same as RC613	Same as RC613	0.7 lbs (0.3 kg)
RC613R	Heavy duty receiver module	30 Amp Resistive, 120/240 V 12.5 Amp (1500 W), 1.5 HP - 120 V 1.5 HP - 120 V, 3 HP - 240 V, Double pole, single throw contacts	7-3/4" H (19.7 cm) 4" W (10.7 cm) 3-1/2" D (8.9 cm)	1.4 lbs (0.6 kg)
RC615	Timer Interface Module without manual button	Same as RC613	Same as RC613	0.5 lbs (0.2 kg)

Hand Held Radio Transmitter

This hand held radio transmitter operates the shared equipment of a pool/spa combination by the touch of a button. In addition, more buttons are available on the transmitter to turn ON-OFF a booster pump, a blower and lights.

Applications

- Pool/spa pumps, lights & heaters
- Fountain pumps
- Outdoor lighting
- Air blowers
- Signs
- Motorized gates
- Pool/spa combinations
- Water features
- Motorized valves

Specifications

Enclosure: Beige plastic, 4-3/8" (11.1 cm) H, 2-3/4" (7.0 cm) W and 1" (2.5 cm) D.

Agency Approval: CSA/C-US

Model #	Description	Range*	Battery	Shipping Weight
RC939	3 Channel Radio Transmitter	100 ft.	9V Transistor type	0.5 lbs (0.2 kg)

* The range is 100 feet but depends on many factors like the age of the battery, proximity of large metal objects, the location of the receiver and environmental conditions at the time of transmission.



RC613L



RC613R



RC939



Freeze Protection Controls

PF1100 Series Single Circuit Freeze Protection Controls

These Freeze Protection Controls are designed to protect the pool and spa equipment and plumbing against freeze damage. They turn the pump and the heater ON when the outdoor temperature drops below the temperature set by the user-adjustable thermostat.

Models without timer connect to a timing or switching device and together, they control operation of the equipment as well as protect it against freeze damage. Models with timer provide both automation and protection for the equipment.



PF1102M



PF1102



PF1103MT



PF1103T

Applications

- Filter pumps
- Filter pump/booster pump combinations
- Waterfalls
- Water features

Specifications

Case: 0.034 inch drawn steel, electrostatically coated, beige color. Hasp, with hole for lock, holds permanently attached side-hinged door closed. 9-3/8" (23.8 cm) high x 5-1/4" (14.0 cm) wide x 3-5/8" (9.2 cm) deep.

Knockouts: 1/2" - 3/4" combination knockouts, one back, one on each side, two bottom.

Thermostat Range: 45°F - 32°F with 5 degrees differential.

Electrical Rating: See table.

Agency Approval: CSA/C-US

Model #	Description	Input Rating	H.P.	Shipping Weight
PF1102	Thermostat only. For 240V installation.	240V	3	3.7 lbs (1.7 kg)
PF1102M	Same as above, mechanism only.	240V	3	2.0 lbs (0.9 kg)
PF1102T	Timer with thermostat. For 240V installation.	240V	3	4.5 lbs (2.0 kg)
PF1102MT	Same as above, mechanism only.	240V	3	2.5 lbs (1.1 kg)
PF1103	Thermostat only. For 120/240V installation.	120/240V*	1.5/3	3.7 lbs (1.7 kg)
PF1103M	Same as above, mechanism only.	120/240V*	1.5/3	2.0 lbs (0.9 kg)
PF1103T	Timer with thermostat. For 120/240V installation	120/240V*	1.5/3	4.5 lbs (2.0 kg)
PF1103MT	Same as above, mechanism only.	120/240V*	1.5/3	2.5 lbs (1.1 kg)

* Neutral must be installed.

Freeze Protection Controls



PF1100 & PF1200 Series Multi Circuit Freeze Protection Control Centers & Panels

These heavy-duty Freeze Protection Controls are designed specifically for pools requiring one or two time switches and protect the pool and spa equipment and plumbing against freeze damage. They turn the pump and the heater ON when the outdoor temperature drops below the temperature set by the user-adjustable thermostat. In addition, they have a provision to install switches inside or GFCI receptacle on the side of enclosure.

Applications

- Filter Pumps
- Filter Pump Booster Pump
- Fountains
- Combinations
- Pool-Spa Combinations

Specifications

PF1112T, PF1202T

Case: 12" (30.5 cm) H x 12" (30.5 cm) W x 4-1/4" (10.8 cm) D, 0.048" steel with electrostatically applied light beige finish.

Knockouts: Five combination 1/2"-3/4" and two combination 3/4"-1" knockouts on the bottom. One combination 1/2"-3/4" on the left side and one combination 3/4"-1" on the back. One knockout 1-3/4" x 2-3/4" on the right side for mounting switches or GFCI.

Center Rating: 92 Amp per leg, 168 Amp Max. 120-240 VAC or 120-240VAC single phase - 60 Hz.

Electrical Rating: See table

Thermostat Range: 44°F - 32°F with 5 degrees differential.

Shipping Weight: See table

PF1222TB

Case: 16-1/2" (41.9 cm) H x 10-7/8" (27.6 cm) W x 4-1/4" (10.8 cm) D, 0.048" steel with electrostatically applied beige finish.

Knockouts: Two 1/2", three combination 1/2"-3/4", and two combination 3/4"-1" knockouts on the bottom. Four 1/2", three combination 1/2"-3/4" on the back. One combination 3/4"-1" on the left side. One 1-3/4" x 2-3/4" knockout on the right side for mounting switches and GFCI.

Panel Rating: 100 Amp max., 120-240 VAC or 120-208 VAC single phase - 60 Hz.

Electrical Rating: See table.

Thermostat Range: 44°F - 32°F with 5 degrees differential.

Shipping Weight: See table

Agency Approval: CSA/C-US

Model #	Description	Electrical Input	Rating HP	Shipping Weight
PF1112T	For pools requiring one time switch	240V	3	8.0 lbs (3.6 kg)
PF1202T	For pools with cleaner, requiring two time switches	240V	3	10.0 lbs (4.5 kg)
PF1222TB	Same as a PF1202T with 4/8 breaker base and heater protection	240V	3	17.0 lbs (7.7 kg)

For additional trippers (1 "ON" 1 "OFF" per pack), order No. 156T1978A.

For additional "OFF" trippers (25 "OFF" per pack), order NO. PA115.

For stand-offs for décor knockouts (4 stand-offs per pack), order No. 21T156A.

Note: See Page 29 for a detailed list of T100M replacement mechanisms and page 40 for freeze switch mechanisms.
See Pages 18, 19 and 20 for digital freeze protection devices



PF1112T



PF1202T



PF1222TB



Safety Transformers

PX100, PX300 & PX600 Series Safety Transformers

These Safety Transformers are specifically designed to supply 12 volts to pool/spa lights, submersible fixtures and outdoor garden lights. A grounded shield between the primary and secondary windings assures safe operation and the built-in circuit protection will disconnect power to the transformer in case of defect or overload.

Applications

- Pool lights
- Spa lights
- Garden lights
- Fountain lights

Specifications: PX100/S, PX300/S

Enclosure: 7.25" (19.4 cm) H x 5.25" (13.3 cm) W x 4.5" (11.4 cm) D. Stainless steel or steel with electrostatically applied light beige finish. Mounting brackets top and bottom.

Knockouts: Total of ten combination 1/2"-3/4" knockouts, (2) right side, (2) left side, (2) back, (4) bottom.

Electrical Rating: See table

Shipping Weight: See table

Specifications: PX600/S

Enclosure: 10" (25.4 cm) high x 10" (25.4 cm) wide x 5" (12.7 cm) deep. Stainless steel or steel with electrostatically applied light beige finish. Mounting brackets top and bottom.

Knockouts: Two combination 1/2"-3/4", and 4 combination 3/4"-1" knockouts on the bottom. Total of six combination 1/2"-3/4" knockouts, (2) right side, (2) left side, (2) back.

Electrical Rating: See table

Shipping Weight: See table

Model #	Description	Input 60 Hz	Output	Shipping Weight
PX100	100 Watt Beige Steel Enclosure	120V, 1AMP	12 or 13V	7.0 lbs (3.2 kg)
PX100S	100 Watt Stainless Steel Enclosure	120V, 1AMP	12 or 13V	7.0 lbs (3.2 kg)
PX300	300 Watt Beige Steel Enclosure	120V, 3AMP	12,13 or 14V	13.0 lbs (5.9 kg)
PX300S	300 Watt Stainless Steel Enclosure	120V, 3AMP	12,13 or 14V	13.0 lbs (5.9 kg)
PX600	600 Watt Beige Steel Enclosure	120V, 6AMP	12,13 or 14V	26.0 lbs (11.7 kg)
PX600S	600 Watt Stainless Steel Enclosure	120V, 6AMP	12,13 or 14V	26.0 lbs (11.7 kg)



PX100



PX100S



PX300



PX300S



PX600



PX600S

Safety Transformers



T10000RT, T40000RT & PE45343RCT Series Pool Panels with Transformer

These Panels with Transformer offer an all-in-one, easy to wire and extremely cost effective electrical control center for any pool or spa installation. Inside the enclosure are the time switch, the transformer and other components needed for the completion of this installation. The T40000RT Series panels will accept additional Intermatic mechanisms and/or components.

The PE45343RCT Series includes all the features of the PE Series Digital Controls plus two PE24VA valve actuators, Wireless Panel Mounted Transceiver (PE950), which allows the system to display the status of each of the five circuits (3 timed and 2 on demand), pool and spa water temperature, pool and spa thermostat set point, heating status and overall communication status.

Applications

- Filter Pumps
- Low Voltage Outdoor Lighting
- Blowers
- Fountains
- Low Voltage Pool/Spa Lighting

Specifications

T10000RT Series

Case: 12" (30.5 cm) H x 12" (30.5 cm) W x 4-1/4" (10.8 cm) D, 0.048" steel with electrostatically applied light beige finish.

Knockouts: Five combination 1/2"-3/4" and two combination 3/4"-1" knockouts on the bottom. One combination 1/2"-3/4" on the left side and one combination 3/4"-1" on the back. One knockout 1-3/4" x 2-3/4" on the right side for mounting switches or GFCI.

Center Rating: 92 Amp per leg, 168 Amp Max. 120-240 VAC or 120-208 VAC single phase - 60 Hz.

Shipping Weight: See table.

T40000RT Series

Case: 20-3/4" (52.7 cm) high x 12-3/4" (32.4 cm) wide x 4-1/4" (10.8 cm) deep, 0.048" steel with electrostatically applied light beige finish.

Knockouts: Seven combination 1/2"-3/4" and three combination 3/4"-1" knockouts on the bottom. Five combination 1/2"-3/4" on the left side. One 1-3/4" x 2-3/4" knockout on the right side for mounting switches and GFCI.

Panel Rating: T40000RT Series - 100 Amp 120-240 VAC or 120-208 VAC single phase - 60 Hz.

Time Switch Rating: T40000R Series - See page 34

Transformer Rating: See table.

Shipping Weight: See table.

PE45343RCT Series

Case: 26.0" (66.3 cm) high x 18.0" (45.9 cm) wide x 5.5" (14.0 cm) deep, 0.048" steel with electrostatically applied light beige finish.

Knockouts: Two combination 3/4"-1"-1-1/4" and eleven combination 1/2"-3/4" knockouts on the bottom. Two 3/4"-1" combination and four combination 1/2"-3/4" on the back. Low voltage compartment has two combination 1/2"-3/4" knockouts. One 1-3/4" x 2-3/4" knockout on the right side.

Panel Rating: 125 Amp 120-240 VAC or 120-208 VAC single phase - 60 HZ.

Switch Rating: P1353ME and P4243ME - see page 15.

Transformer Rating: See table.

Shipping Weight: See table.

Agency Approval: CSA/C-US

Model #	Transformer	Input 60 Hz	Output	Mechanism	Shipping Weight
T10004RT1	100 Watt	120V, 1 Amp	12V, 13V,	T104M	14.0 lbs (6.3 kg)
T10004RT3	300 Watt	120V, 3 Amp	12V, 13V, 14V	T104M	20.0 lbs (9.0 kg)
T40003RT3	300 Watt	120V, 3 Amp	12V, 13V, 14V	T103M	32.0 lbs (14.4 kg)
T40004RT1	100 Watt	120V, 1 Amp	12V, 13V,	T104M	26.0 lbs (11.7 kg)
T40004RT3	300 Watt	120V, 3 Amp	12V, 13V, 14V	T104M	32.0 lbs (14.4 kg)
PE45343RCT1	100 Watt	120V, 1 Amp	12V, 13V	P1353ME & P4243ME	56.0 lbs (25.2 kg)
PE45343RCT3	300 Watt	120V, 3 Amp	12V, 13V, 14V	P1353ME & P4243ME	61.0 lbs (27.5 kg)

For additional trippers (1 "ON" 1 "OFF" per pack), order No. 156T1978A.

For additional "OFF" trippers (25 "OFF" per pack), order No. PA115.

For stand-offs for décor knockouts (4 stand-offs per pack), order No. 21T156A.

Note: See Page 29 for a detailed list of T100M replacement mechanisms and page 16 for PE650 and PE950 specifications



T10004RT1



T40004RT3



PE45343RCT3



Pool/Spa Junction Boxes

PJB Series Pool/Spa Junction Box & Mounting Bracket

These polymeric, water tight, multi-fixture Junction Boxes are especially designed for pools, pool-spa combinations and landscape applications. The PJB4175 provides safe and reliable connection for up to four lights. While the PJB2175 supports up to two lights. They will accommodate flexible cords from #16-3 up to #12-3 and #10-3 in any combination and non-metallic conduits from 1/2 to 1 inch, including one for supply conductor feed. An optional wall/post mounting bracket is also available.

Applications

- Pool Lights
- Spa Lights
- Landscape Lights

Specifications

Case: Outdoor grade plastic. PJB4175 - 7.5" L x 4.75" W x 5.0" D. PJB2175 - 7.0" L x 3.0" W x 4.0" D

Note: Bracket sold separately.

Model #	Description	Light Connection	Case Qty.	Shipping Weight
PJB2175	Pool/Spa Light Junction Box	2	24	19.2 lbs (8.6 kg)
PJB4175	Pool/Spa Light Junction Box	4	12	13.2 lbs (6.0 kg)
PA114	Wall/Post Mounting Bracket	—	10	5 lbs (2.3 kg)



PJB4175



PJB2175



PA114

PJB2175

Only two screws required to attach lid to base

Easy access ground bar

Innovative strain relief design

Accepts multiple conduit sizes

Platform design offers ease of installation

One external bonding lug

Supports up to two pool/spa lights

PJB4175

Only two screws required to attach lid to base

Sloped platform design provides ultimate convenience

Innovative strain relief design

Supports up to four pool/spa lights

One external bonding lug

Easy access ground bar

Accepts multiple conduit sizes

Valves & Actuators



PAV Series Maintenance Free Water Valves

Intermatic's Maintenance Free Water Valves have been designed to provide reliable control of water flow to pools, spas, solar collectors, cleaners and water features. These 2-way and 3-way valves have excellent flow characteristics while maintaining back pressure. Manufactured with Intermatic's high quality standards, the PAV Series Water Valves offer long maintenance-free performance.

Applications

- Pools
- Spas
- Fountains
- Water features

Standard Features

- Teflon-coated diverter requires no lubrication and ensures maintenance free performance
- Innovative field adjustable stop ensures precise valve positioning
- 1-1/2" valves fit 1-1/2" and 2" plumbing, 2" valves fit 2" and 2-1/2" plumbing
- Available in standard PVC and high temperature CPVC

Specifications

Shipping Weight See table.

Case Quantity: 12; Weight: 24 lbs. (10.8 kg)

Model#	Port Size	Configuration	Material	Shipping Weight ea.
PAV215	1-1/2"	2-WAY	PVC	1.5 lbs (0.6 kg)
PAV215C	1-1/2"	2-WAY	CPVC	1.5 lbs (0.6 kg)
PAV220	2"	2-WAY	PVC	1.6 lbs (0.7 kg)
PAV220C	2"	2-WAY	CPVC	1.6 lbs (0.7 kg)
PAV315	1-1/2"	3-WAY	PVC	1.5 lbs (0.6 kg)
PAV315C	1-1/2"	3-WAY	CPVC	1.5 lbs (0.6 kg)
PAV320	2"	3-WAY	PVC	1.6 lbs (0.7 kg)
PAV320C	2"	3-WAY	CPVC	1.6 lbs (0.7 kg)

24-Volt Valve Actuator

Designed with quality in mind, Intermatic's 24-volt valve actuators provide reliable control of 2-way and 3-way diverter valves for pool/spa combinations and water features. The water flow can be altered for specific applications through the adjustable cam, which rotates diverter valves to multiple degree settings. The cam settings can be easily adjusted by simply removing the lid.

These valve actuators are compatible with all pool/spa valves currently offered in the industry and will retro fit into all pool/spa control systems.

Applications

- Pools
- Spas
- Fountains
- Water features

Standard Features

- Automates compatible diverter valves for pool/spa & pool/water feature combinations
- Adjustable cam rotates diverter valves to multiple degree settings
- Retro fits into all pool/spa control systems on the market

Specifications

Shipping Weight See table.

Case Quantity: 6; Weight: 21.2 lbs. (9.5 kg)

Model	Description	Voltage	Shipping Weight ea.
PE24VA	Valve actuator	24VAC	3.5 lbs (2.2 kg)



PAV215C



PAV215



PAV220C



PAV220



PAV315C



PAV315



PAV320C



PAV320



PE24VA



Portable Outdoor Timers



P1121



P1101



P1131



P1161

P1100 Series Portable Outdoor Timers — Heavy Duty Outdoor Timers

These Portable Outdoor Timers are specially designed to control the filter pump of a portable pool or spa, but they can also be used to turn ON and OFF (in off-season) outdoor decoration, engine block heaters and other appliances, indoors or outdoors.

Applications

- Filter Pumps
- Air Conditioners
- Signs
- Lights
- Engine Block Heaters
- Fans

Specifications





Case Outdoor grade plastic. 5" (12.7 cm) H x 5-1/2" (13.97 cm) W x 3-3/4" (9.52 cm) D. Cord - three-prong grounded plug, outdoor grade, 22" long.

Timer 24 hour with 23-1/2 hour maximum ON time. Two ON, two OFF trippers - standard. Dial will accept up to 12 sets of trippers.

Electrical Rating: See table.

Shipping Weight 1.7 lbs (0.7 kg)

Agency Approval: CSA/C-US

Model #	Description	Electrical	Plug & Receptacle
P1101	Timer	15 Amp (1800 Watt) resistive or tungsten 1 HP air conditioner, 15 FLA (90 LRA), Motor Load	5-15 
P1121	Timer	15 Amp (1800 W), resistive or tungsten 1 HP air conditioner, 15 FLA (96 LRA), motor load	5-15 
P1131	Heavy-Duty Timer with Twist-Lock Plug & Receptacle	Resistive, 1 HP, 16 FLA (96 LRA) motor load	5L-20 
P1161	Safety Timer with Ground Fault Circuit Protection	15 Amp (1800 W) Resistive, Tungsten 15 FLA (90 LRA) Motor	5-15 

For additional trippers except P1121 (2 "ON" 2 " OFF" per pack), order No. 156PB10398A
P1121 - Order 107SB216 (Green ON), 107SB217 (Red OFF)

Portable Outdoor Timers



P1200 Series Two-Circuit Portable Outdoor Timer

These Portable Two-circuit Above Ground Pool Timers incorporate a plug-in for a timed circuit (normally used for a pool pump) and a plug-in for a live circuit (typically used for a pool light). GFCI protected circuits and a three-prong grounded plug for the time switch supply are also built in.

The PE1261PE features a 24 hour electronic timer specially suited for applications where equipment needs to be cycled ON and OFF up to 8 times per day. The timer offers rugged construction, resistance to surges and humidity, operates between wide temperature extremes and comes with a 5 year service life replaceable lithium battery. A light indicator illuminates when the timer is in the ON position. Select feature allows timers to be continuously ON, OFF or in Auto mode.

Applications

- Above ground pool pumps
- Above ground pool lights

Specifications

Case: NEMA 3R rated for indoor-outdoor installation. 9-3/8" (23.8 cm) high x 5-1/2" (14.0 cm) wide x 3-5/8" (9.2 cm) deep



Knockouts: Combination 1/2" - 3/4" nominal knockouts, one on the back and each side of case, two pre-cut on bottom

Timer: PB913N84 - 24 hour with 23-1/2 hour maximum ON time. Two ON, two OFF trippers - standard. Dial will accept up to 12 sets of trippers. PB313E - 24 hour with 23 hours and 59 minutes max ON time.

Electrical Rating: See table.

Shipping Weight: 2.8 lbs. (1.3kg)

Agency Approval: CSA/C-US

Model	Description	Electrical	Plug & Receptacle
P1261P	PB913N84 Timer*	15 Amp (1800 W), resistive or tungsten 1 HP, 15 FLA (96 LRA) motor load	5-15 
P1261PE	PB313E Electronic Timer	15 Amp (1800 W), resistive or tungsten 1 HP, 15 FLA (96 LRA) motor load	5-15 

* For additional trippers (2 "ON" 2 " OFF" per pack), order No. 156PB10398A



P1261P



P1261PE



Compact Timer Mechanisms

PB300 Series Electronic Timer Mechanisms

These compact Electronic Timers are specially suited for applications where equipment needs to be cycled ON and cycled OFF up to 8 times per day, and where automatic operation of the equipment requires occasional override by someone other than a qualified service professional. They offer rugged construction, resistance to surges and humidity, operate between wide temperature extremes and come with a 5 year service life replaceable lithium battery. A light indicator illuminates when the timer is in the ON position. Select feature allows timers to be continuously ON, OFF or in Auto mode.

PB300EK Series Electronic Timer kits are designed for applications where PB Series Mechanical Timers need to be replaced. The connected load must not exceed the ratings of these timers. The kits contain all the necessary hardware for a speedy repair or exchange.



PB313E

Applications

- Filter pumps
- Booster pumps
- Sprinkler systems
- Heating systems
- Lights
- Fountains
- Cleaning systems
- Security systems

Specifications

Enclosure: Beige electrical grade plastic.

Size: PB300 Series: 2-3/8" (6.0 cm) high and wide. EB suffix: 1-1/18" (28 cm) deep. E suffix: 7/8" (2.2 cm) deep.

Electrical Rating: **A** = 16 Amp resistive, 0.5 HP motor load 24, 120 or 240 volts, 50-60 Hz;

B = 20 amp resistive, 10 amp (1200 watt) tungsten, 16 FLA (1 HP) motor load, 720 VA pilot duty - 120 volt, 50-60 Hz;

C = 20 amp resistive, 12 FLA (2 HP) - 240 volts, 50-60 Hz

Shipping Weight: 0.3 lbs. (0.14 kg)

Agency Approval: UL

Model #	Description	Switch	Rating	Volts 50-60 Hz
PB313E	24 hour	SPDT	A	120
PB313EK	PB Series replacement kit	SPDT	A	120
PB314E	24 hour	SPDT	A	240
PB314EK	PB Series replacement kit	SPDT	A	240
PB373EB	7 day	SPST	B	120*
PB374EB	7 day	SPST	C	240*

* Output voltage is the same as supply voltage.



PB373E

Compact Timer Mechanisms



PB800 & PB900 Series Mechanical Timer Mechanisms

These timers provide automatic control for pumps, cleaners and other types of loads. Timers have three-way mounting; flush in round opening, raised in rectangular opening or on base. Quick connect terminals for easy installation.

Applications

- Filter pumps
- Booster pumps
- Sprinkler systems
- Heating systems
- Lights
- Fountains
- Cleaning systems
- Security systems

Specifications

Size: 3-1/3" (84.8 cm) high x 2-13/16" (71.4 cm) wide x 1-61/64" (49.6 cm) deep.

Electrical Rating: 20 Amp resistive, 120-277 Volt; 1250 Watt tungsten 125 VAC; 16 FLA (1 HP 120 VAC; 12 FLA (2 HP) 240 VAC; 360 VA pilot duty, 120-240 VAC.

Timing Cycle: 24 hour dial - minimum ON time 1 hour, maximum ON time 23 hours, increments of 30 minutes. 7-day dial - minimum ON time 6 hours, maximum ON time 162 hours, in increments of 3 hours.

Color: Black housing with white screening and orange trippers.

Shipping Weight: 8 oz (0.22 kg) All mechanisms are shipped in bulk (36 per carton) unless otherwise specified.

Agency Approval: UL, CSA

Model #	Switch	Dial	Volts 60 Hz	# of Trippers	Manual Override
PB873MKZ	SPST	7 day	120	56*	No
PB874MKZ	SPST	7 day	208-277	56*	No
PB913N	SPST	24 hour	120	48*	No
PB913N66	SPST	24 hour	120	48**	Yes
PB913N84	SPST	24 hour	120	4**	Yes
PB914N	SPST	24 hour	208-277	48*	No
PB914N66	SPST	24 hour	208-277	48*	Yes

The standard mechanisms listed above have four 1/4" male quick connect terminals (two for the load and two for the independent clock motor).

* Permanently attached orange trippers. ** For additional trippers (2 "ON" 2 "OFF" per pack), order No. 156PB10398A.

Cross Reference Table for Discontinued Models

Old Model #	Replaced By	Notes	Old Model #	Replaced By	Notes
PB813MZ56	PB913N		PB913N50	PB913N	
PB815MZ52	PB913N	1	PB913N68	PB913N66	
PB873MKZ25	PB873MKZ		PB913N70	PB913N	
PB873MKZ26	PB873MKZ		PB913N82	PB913N66	
PB878MKZ25	PB374EB	2	PB913N83	PB913N84	
PB879MKZ25	PB373EB	2	PB913P68	PB913N66	3
PB913M3	PB913N		PB913P69	PB913N66	3
PB913M9	PB913N	3	PB913N86	PB913N66	
PB913M56	PB913N	3	PB914N50	PB914N	
PB913N22	PB913N		PB915M81	PB913N	
PB913N25	PB913N		PB918N26	PB314E	2
PB913N26	PB913N		PB918N50	PB314E	2
PB913N27	PB913N		PB918N83	PB314E	2

Note: Replacement mechanisms may or may not have the same tripper colors and may require different method of connections.

1 - Original timer has gold plated contacts.

2 - Replacement is 50/60 Hz electronic timer.

3 - Original timer lead connections must be changed to 1/4 inch quick connects.



PB913N



PB913N66



PB913N84



PB873MKZ



Pool/Spa Accessories



PA600



156T4042A



156PA13713A
156PA13714A
156PA13715A



156PA14336A



21T166A
21T156A



22T904A

Pool/Spa Accessories

Emergency Shut Off Switch – PA600

The revised Article 680-12 of the National Electrical Code (NEC) now requires the installation of a disconnect switch "...located with in sight from all pools, spas..." This Safety Switch is intended for disconnecting electrical equipment from its power source, quickly and safely, in case of emergency. Any person, even if not familiar with the installation or safety procedures, can shut down the connected equipment by simply moving the large red lever to the OFF position. It fits in a single gang junction box and is rated for outdoor installations.

Specifications

Electrical Rating: 1 HP - 120V, 3 HP - 240V, 20 Amp Resistive 120/240V DPST

Shipping Weight: 0.5 lbs (0.2 kg)

Housing: Electrical grade plastic.

Face Plate: Beige powder coated steel.

Agency Approval: CSA/C-US

Fireman Switch – 156T4042A

This switch provides coordinated control for any pool/spa heater and any filter pump. It is designed to turn OFF a gas fired pool/spa heater approximately 20 minutes before the filter pump shuts down. This eliminates the problem of pounding and knocking due to overheated water, reduces scale and lime deposits and extends the service life of the heater.

Nonmetallic Hub Kits – 156PA13713A (1/2"), 156PA13714 (3/4"), 156PA13715A (1")

All Intermatic Control Centers and Control Panels are approved for direct underwater light connection, eliminating the need for additional junction boxes. These Nonmetallic Hub Kits provide direct connection to 12 Volt and 120 Volt underwater luminaries.

Metallic Hub Kit – 156PA14336A (1/2")

The Metallic Hub Kit is used for the exact same type of applications as the Nonmetallic Hub Kits, but is designed for applications that require red brass conduit.

Stand-Off Posts – 21T166A (2), 21T156A (4)

Stand-Off Posts are used for mounting toggle switches inside any Intermatic Pool/Spa Control Center and Control Panel. The switches are normally used for on-demand control pool/spa lighting, landscape lighting, water features, etc. The dead front is detached, the switch knockout is removed from the dead front and the stand-off post is secured to the back panel of the enclosure. The switch is then mounted to the posts with standard mounting screws and the dead front is re-attached.

Back-Feed Retainer Kit – 22T904A

A recent revision to the breaker base in all Intermatic Pool/Spa Control Panels now allows installers to back-feed the branch circuits using one breaker, single or double pole, as a main disconnect. In accordance with NEC Article 408.36 (F) –2005, the installation requires an additional fastener/retainer kit.

Pool/Spa Accessories



Pool/Spa Accessories

Model #	Description	Where Used
124T1952	Insulator for T100 Series - Clear	All T100 Series Time Switches and Mechanisms
124T2411A	(10) Insulators for T100 Series - Black, Rigid	All T100 Series Time Switches and Mechanisms
143T135	DPST Relay with 240V Coil	All PF1102 Series Controls and Mechanisms, PF1200 Series Controls, P7102ME Electronic Mechanism
143T136	DPST Relay with 120V Coil	All PF1103 Series Controls and Mechanisms, RC2200E Series Air Controls, RC2403RT Air Control, RC613R Receiver, P7103ME Electronic Mechanism
143RC151	DPST Relay with 24 V D.C. Coil	RC2100FE and RC2100E Series Air Controls
156PB10398A	2 ON and 2 OFF Trippers	All P1100 Series Timers, P1261P Portable Outdoor Timer, PB913N84 Series Mechanism
156T1978A	1 ON and 1 OFF Tripper	All T100 Series Time Switches and Mechanisms
156T6738A	(10) Insulators for Time Switch Manual Lever	All T100 Series Time Switches and Mechanisms
22T338GR	Snap-In Time Switch Mounting Bracket	All Pool/Spa Enclosures and T100 Series Time Switches
PA115	(25) OFF Trippers and Screws only	All T100 Series Time Switches and Mechanisms
WG1570-10	120 Volt Clock Motor	T100 Series Time Switches and Mechanisms
WG1573-10	208-277 Volt Clock Motor	T100 Series Time Switches and Mechanisms



124T1952



124T2411A



143T135



156T1978A



PA115

143T136



156T6738A



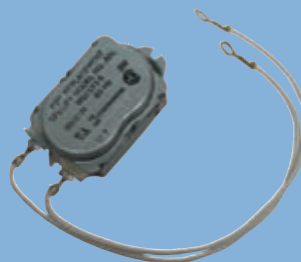
WG1570-10



143RC151



22T338GR



WG1573-10



156PB10398A

I-Wave Wireless Pool/Spa Control

Intermatic's wireless pool and spa controls utilize ground-breaking Z-wave™ technology. While some controls communicate transmission problems, Intermatic's wireless devices allow total and uninterrupted communication between the controller and the equipment.

Intermatic's modular approach provides for added diversity and convenience. Modules are capable of working independently or within a system. Portions can be added or replaced without interfering with the original system, and each system can be designed to incorporate as many or as few features as needed to accomplish the task at hand – making Intermatic the most value added and cost-effective choice.

For pool/spa combinations or pool/water feature combinations, the I-Wave includes all the features of the PE Series Digital Controls plus two PE24VA valve actuators, Wireless Panel Mounted Transceiver (PE650) and Hand-Held Transceiver (PE950) which allows the system to display the status of each of the five circuits (3 timed and 2 on-demand), pool and spa water temperature, pool and spa thermostat set point, heating status and overall communication status.



Model	Mechanisms	Switch	Transformer	Volts 60Hz	Shipping Weight
PE45343RC	P1353ME and P4243ME	5 - SPST	None	120 or 208-240	44.0 lbs.
PE45343RCT1	P1353ME and P4243ME	5 - SPST	100 Watt	120 or 208-240	51.0 lbs
PE45343RCT3	P1353ME and P4243ME	5 - SPST	300 Watt	120 or 208-240	56.0 lbs
PE650	Wireless Receiver	–	–	–	5.5 lbs
PE950	Wireless Transmitter	–	–	–	5.5 lbs

See Page 22 for more information on I-Wave Controls



Replacement Parts Index



REPLACEMENT PARTS INDEX

PAV215	54	RC2163BFE	68	T40004R	80
PAV215C	54	RC2163E	69	T40004R5	81
PAV220	54	RC2163FE	69	T40004RT1	82
PAV220C	54	RC2233P	70	T40004RT3	82
PAV315	54	RC2263BE	68	T40404R	80
PAV315C	54	RC2263E	69	T40404R5	81
PAV320	54	RC2343P	70		
PAV320C	54	RC2343PT	70		
PE153	55	RC2403RT	69		
PE15300	56	T10000R	76		
PE15300F	56	T10004R	76		
PE153F	55	T10004RT1	77		
PE153P	55	T10004RT3	77		
PE153PF	55	T10101R	76		
PE153PW	55	T101P201	75		
PE153PWF	55	T101P204	75		
PE153W	55	T101P3	75		
PE153WF	55	T101P4	75		
PE25300	57	T101R201	75		
PE25300F	57	T101R3	75		
PE45300	58	T10404R	76		
PF1102	59	T104P201	75		
PF1102T	59	T104P204	75		
PF1103	59	T104P3	75		
PF1103T	59	T104P4	75		
PF1112T	60	T104R201	75		
PF1202T	61	T104R3	75		
PF1222TB	62	T10604R	76		
PJB4175	63	T12404R	76		
PX100	62	T21000R	78		
PX100S	65	T21001R	78		
PX300	64	T21004R	78		
PX300S	65	T30000R5	79		
PX600	66	T30004R	79		
PX600S	67	T30401R	79		
RC2123PT	70	T30404R	79		
RC2133P	70	T30604R	79		
RC2163BE	68	T32404R	79		
		T40000R	80		
		T40000R4	81		
		T40003RT3	82		

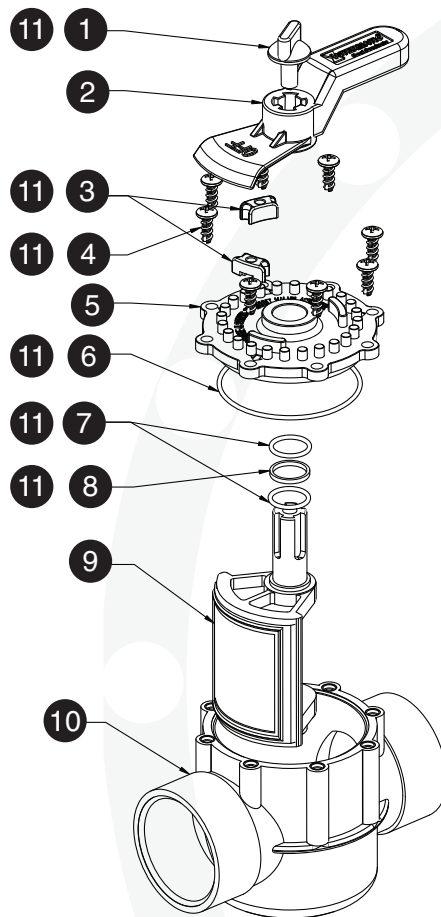


Genuine Pool & Spa Replacement Parts

INTERMATIC® REPLACEMENT PARTS - POOL/SPA CONTROLS

PAV Series Water Valves

MODEL NO.	ITEM NO. 9
PAV215	PA106
PAV220	PA107
PAV315	PA106
PAV320	PA107
PAV215C	PA106
PAV220C	PA107
PAV315C	PA106
PAV320C	PA107



Item No.	Description	Part No.	SHIPPING WT. (LB)	LIST PRICE (\$)*
1	Knob - Handle Retainer (1) in item 11	-	-	-
2	Handle - Diverter	PA104	0.3	3.11
3	Stopper - Handle (2) in item 11	-	-	-
4	Screw (8) in item 11	-	-	-
5	Cover - Valve Body	PA105	0.5	14.50
6	Gasket - O-Ring Large (1) in item 11	-	-	-
7	Gasket - O-Ring Small (2) in item 11	-	-	-
8	Washer - Plastic (1) in item 11	-	-	-
9	Diverter Assembly	See table above	1.0	11.10
10	Valve Body - Available as complete valve assembly only.	-	2.5	See Price List
11	Repair Kit - Consists of items 1, 3, 4, 6, 7 and 8	PA108	0.5	12.00

* Prices are subject to change without notice

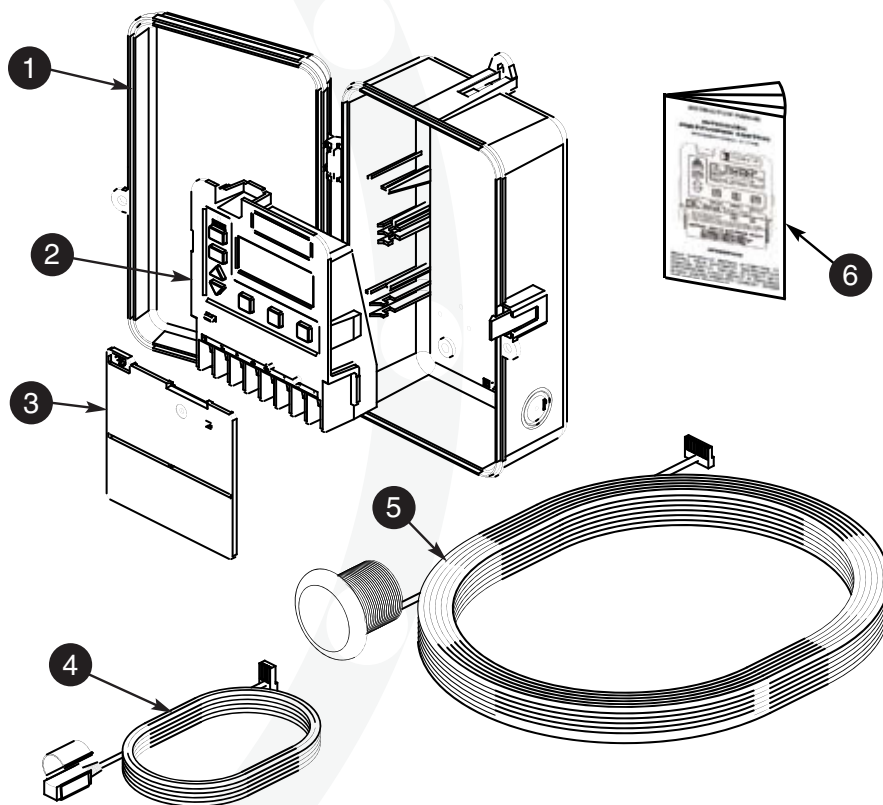
Genuine Pool & Spa Replacement Parts



INTERMATIC® REPLACEMENT PARTS - POOL/SPA CONTROLS

PE100 Series Electronic Controls

MODEL NO.	ITEM NO. 1	ITEM NO. 4	ITEM NO. 5
PE153	2T2485GA	NO	NO
PE153F	2T2485GA	YES	NO
PE153W	2T2485GA	NO	YES
PE153WF	2T2485GA	YES	YES
PE153P	2T2502GA	NO	NO
PE153PF	2T2502GA	YES	NO
PE153PW	2T2502GA	NO	YES
PE153PWF	2T2502GA	YES	YES



Item No.	Description	Part No.	SHIPPING WT. (LB)	LIST PRICE (\$)*
1	Case	See table above.	3.0	70.28
2	Control Mechanism - Complete	P1353ME	5.0	302.47
3	Insulator-Terminals	124PE2562	0.5	11.26
4	Thermostat - Freeze Protection	173PA28A	1.5	68.74
5	Wired Remote	133PE1484A	5.0	245.42
6	Instruction Booklet	158PE11693	0.3	5.00

* Prices are subject to change without notice

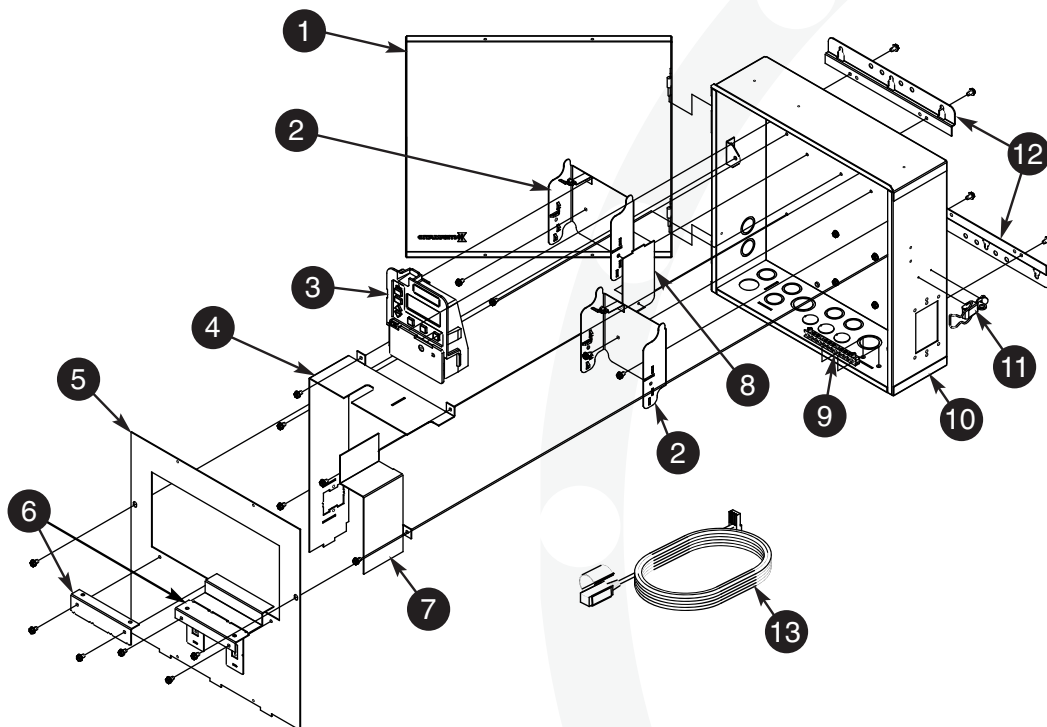


Genuine Pool & Spa Replacement Parts

INTERMATIC® REPLACEMENT PARTS - POOL/SPA CONTROLS

PE15300 Series Electronic Control Centers

MODEL NO.	ITEM NO. 13
PE15300	NONE
PE15300F	178PA28A



Item No.	Description	Part No.	SHIPPING WT. (LB)	LIST PRICE (\$)*
1	Cover	6PE2817A-WWH	3.5	47.20
2	Bracket - Timer	22T338GR	0.8	8.08
3	3 Circuit Timer Mechanism	P1353ME	1.5	302.47
4	Plate - Barrier	24PE6038-WWH	1.5	27.40
5	Plate - Dead Front	24PE6037-WWH	3.5	35.86
6	Plate - Filler	24PE6035-WWH	0.8	27.64
7	Plate - Divider	24PE6033-WWH	0.8	22.78
8	Plate - Barrier, Vertical	24PE6056-WWH	0.5	20.62
9	Terminal Bar - Grounding	PA116	0.5	15.04
10	Case - Enclosure	2PE3387A-WWH	4.0	62.74
11	Latch - Enclosure	PA117	0.3	12.72
12	Bracket - Enclosure (2) per pack	PA101	1.0	18.05
13	Thermostat - Freeze Protection	See Table Above	1.5	68.74

* Prices are subject to change without notice

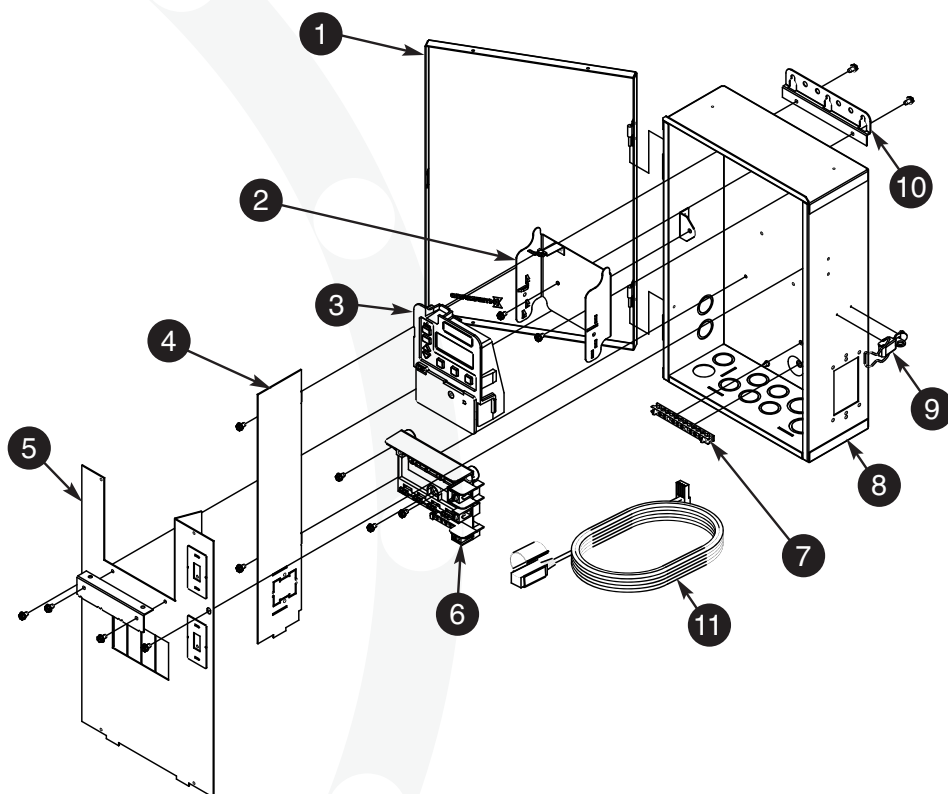
Genuine Pool & Spa Replacement Parts



INTERMATIC® REPLACEMENT PARTS - POOL/SPA CONTROLS

PE25300 Series Electronic Control Centers

MODEL NO.	ITEM NO. 11
PE25300	NONE
PE25300F	178PA28A



Item No.	Description	Part No.	SHIPPING WT. (LB)	LIST PRICE (\$)*
1	Cover - Enclosure	6RC2344A	3.0	42.58
2	Bracket - Timer	22T338GR	0.8	8.08
3	3 Circuit Timer Mechanism	P1353ME	1.5	302.47
4	Plate - Barrier	24PE6034-WWH	1.5	32.26
5	Plate - Dead Front	24PE6103-WWH	2.0	30.46
6	Breaker Base	124T2540A	1.5	29.97
7	Terminal Bar - Grounding	PA116	0.5	15.04
8	Case - Enclosure	2PE3386A-WWH	4.0	68.32
9	Latch - Case	PA117	0.3	12.72
10	Bracket - Enclosure	22T722	0.8	12.82
11	Thermostat - Freeze Protection	See Table Above	1.5	68.74

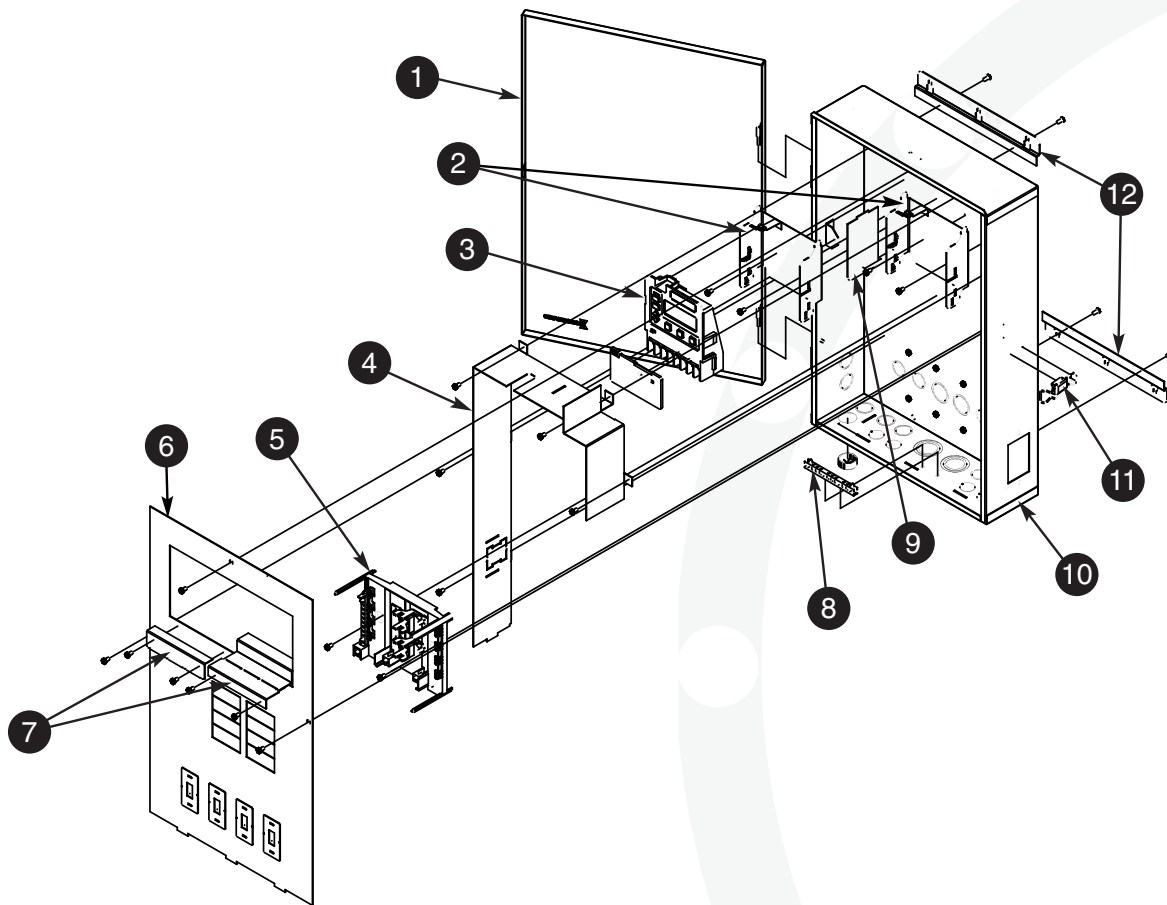
* Prices are subject to change without notice



Genuine Pool & Spa Replacement Parts

INTERMATIC® REPLACEMENT PARTS - POOL/SPA CONTROLS

PE45300 Electronic Control Panel



Item No.	Description	Part No.	SHIPPING WT. (LB)	LIST PRICE (\$)*
1	Cover - Enclosure	6PE2816A-WWH	6.0	61.72
2	Bracket - Timer	22T338GR	0.8	8.08
3	3 Circuit Timer Mechanism	P1353ME	1.5	302.47
4	Plate Barrier	24PE6032-WWH	2.0	28.48
5	Breaker Base	124T2530A	1.5	32.74
6	Plate - Dead Front	24PE6031-WWH	4.5	42.88
7	Plate - Filler	24PE6035-WWH	0.8	27.64
8	Terminal Bar - Grounding	PA116	0.5	15.04
9	Plate - Barrier, Vertical	24PE6056-WWH	0.5	20.62
10	Case - Enclosure	2PE3385A-WWH	12.0	92.44
11	Latch - Enclosure	PA117	0.3	12.72
12	Bracket - Enclosure	PA101	1.0	18.05

* Prices are subject to change without notice

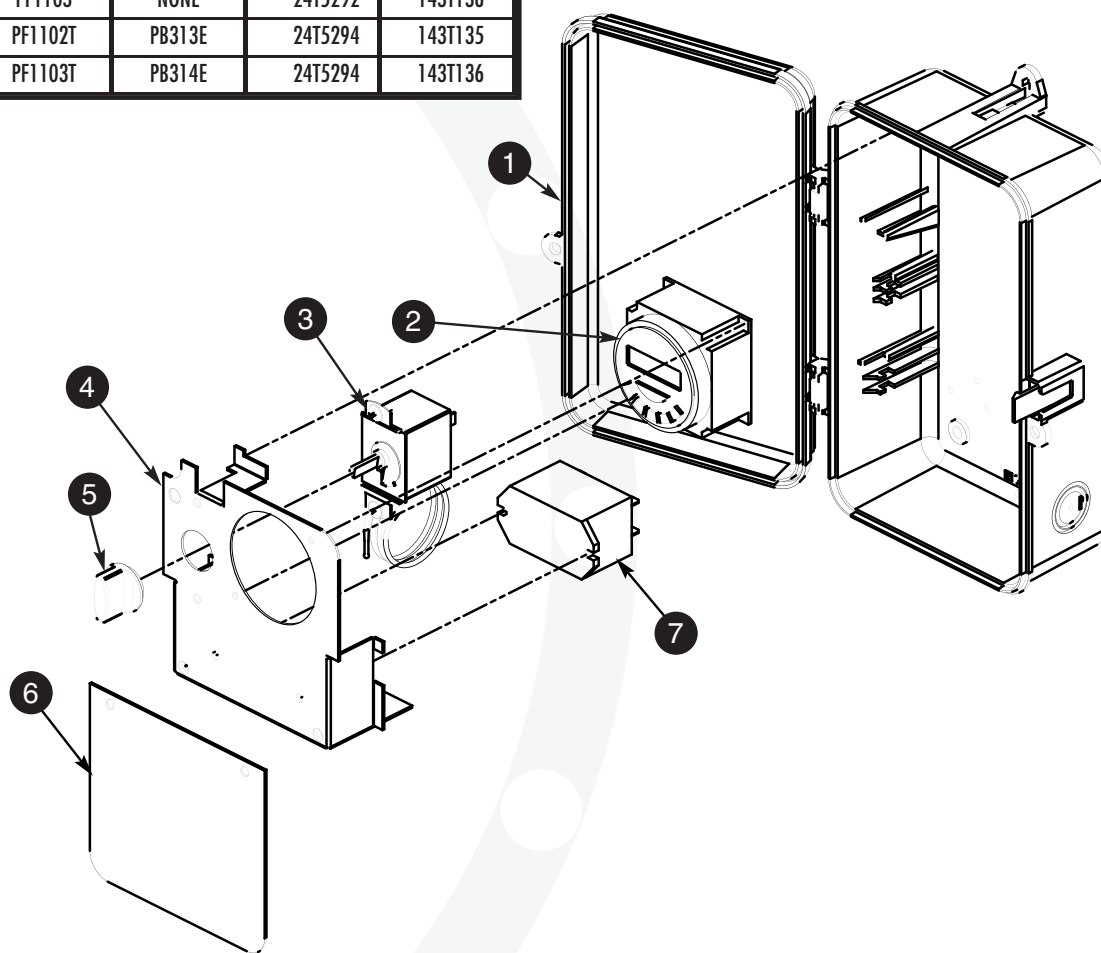
Genuine Pool & Spa Replacement Parts



INTERMATIC® REPLACEMENT PARTS - POOL/SPA CONTROLS

PF1000 Series Freeze Protection Controls

MODEL NO.	ITEM NO. 2	ITEM NO. 4	ITEM NO. 7
PF1102	NONE	24T5292	143T135
PF1103	NONE	24T5292	143T136
PF1102T	PB313E	24T5294	143T135
PF1103T	PB314E	24T5294	143T136



Item No.	Description	Part No.	SHIPPING WT. (LB)	LIST PRICE (\$)*
1	Case	2T2485GA	3.0	70.28
2	Timer	See table above.	0.5	38.10
3	Thermostat	178T24	1.0	43.33
4	Plate - Mech. Mounting	See table above.	1.0	32.08
5	Knob - Thermostat	Part of item 3	-	-
6	Plate-Cover - Wiring Compartment	24RC5169	1.0	13.48
7	Relay	See table above.	0.5	39.72

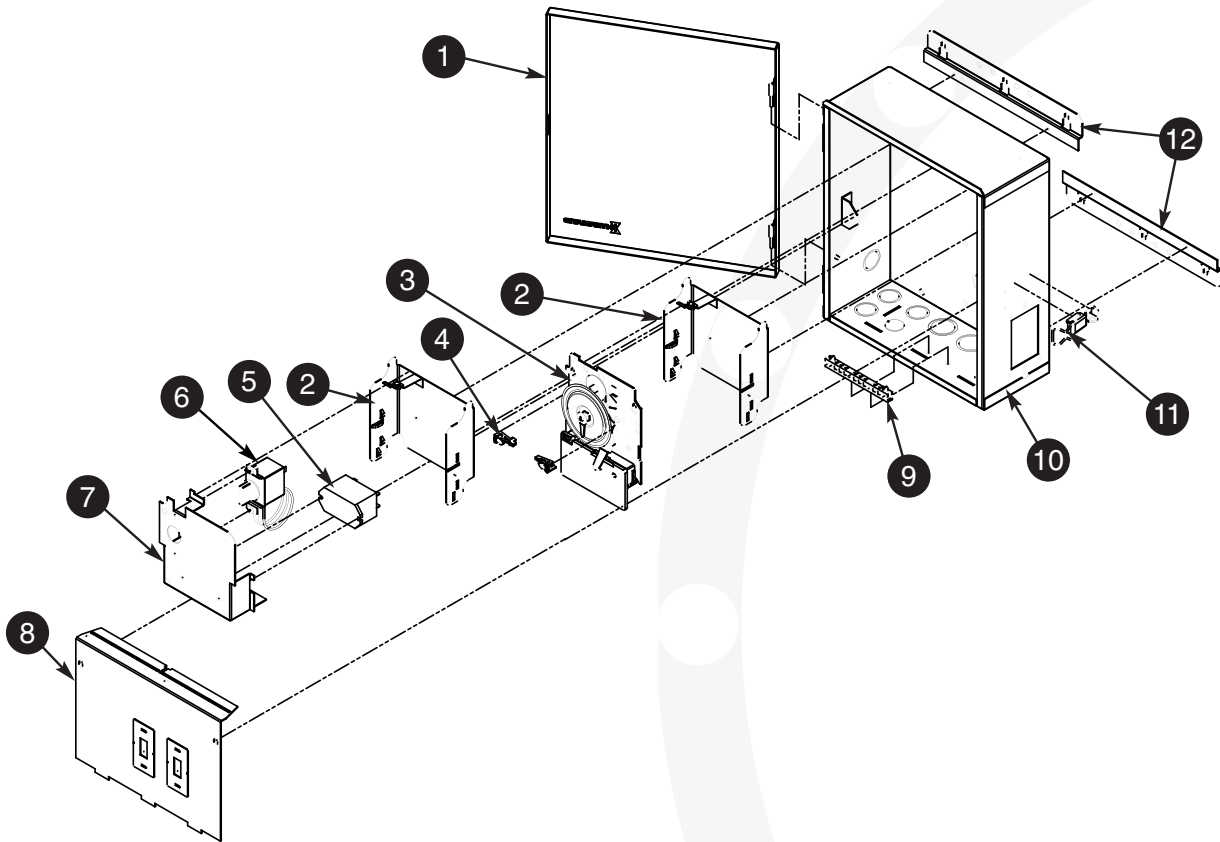
* Prices are subject to change without notice



Genuine Pool & Spa Replacement Parts

INTERMATIC® REPLACEMENT PARTS - POOL/SPA CONTROLS

PF1112T Freeze Protection Control



Item No.	Description	Part No.	SHIPPING WT. (LB)	LIST PRICE (\$)*
1	Cover - Enclosure	6TP2819A-WWH	3.0	41.02
2	Bracket - Time Switch	22T338GR	0.8	8.08
3	Time Switch Mechanism	T104M	1.5	113.37
4	Tripper - Time Switch (1) ON (1) OFF per pack	156T1978A	0.3	2.80
5	Relay	143T135	0.5	39.72
6	Thermostat	178T24	1.0	43.33
7	Plate - Mechanism	24T5292	1.0	32.08
8	Plate - Dead Front	24TP6019-WWH	1.5	20.74
9	Terminal Bar - Grounding	PA116	0.5	15.04
10	Case - Enclosure	2TP3388A-WWH	6.0	74.56
11	Latch - Enclosure	PA117	0.3	12.72
12	Bracket - Enclosure	PA101	1.0	18.05

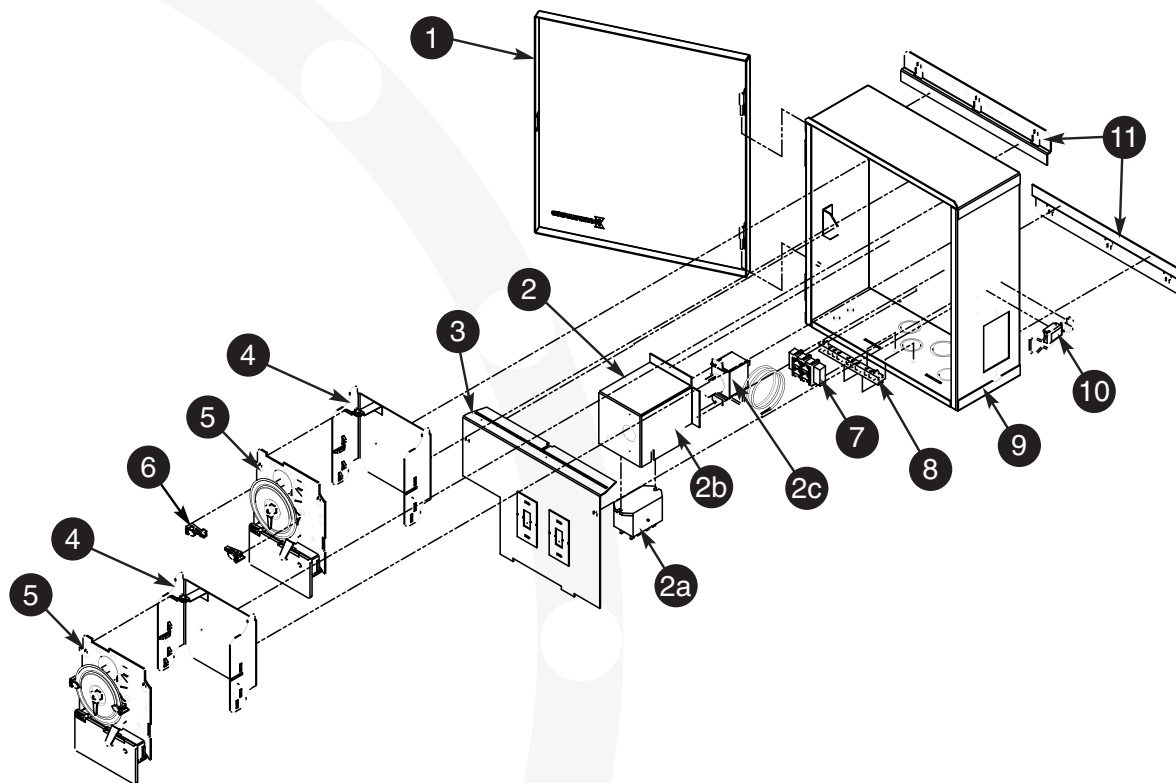
* Prices are subject to change without notice

Genuine Pool & Spa Replacement Parts



INTERMATIC® REPLACEMENT PARTS - POOL/SPA CONTROLS

PF1202T Freeze Protection Control



Item No.	Description	Part No.	SHIPPING WT. (LB)	LIST PRICE (\$)*
1	Case - Enclosure	6TP2819A-WWH	3.0	41.02
2	Complete Thermostat Assembly - Pre Wired	PA102	2.5	79.52
2a	Relay	143T135	0.5	39.72
2b	Plate - Thermostat Housing	24T5189	1.0	18.76
2c	Thermostat	178T24	1.0	43.33
3	Plate - Dead Front	24PF6022-WWH	1.5	20.74
4	Bracket - Time Switch	22T338GR	0.8	8.08
5	Time Switch Mechanism	T104M	1.5	113.37
6	Tripper - Time Switch (1) ON (1) OFF per pack	156T1978A	0.3	2.8
7	Terminal - Power	130LV1091	0.3	14.44
8	Terminal Bar - Grounding	PA116	0.5	15.04
9	Case - Enclosure	2PF3377A-WWH	6.0	69.88
10	Latch - Enclosure	PA117	0.3	12.72
11	Bracket - Enclosure (2) per pack	PA101	1.0	18.05

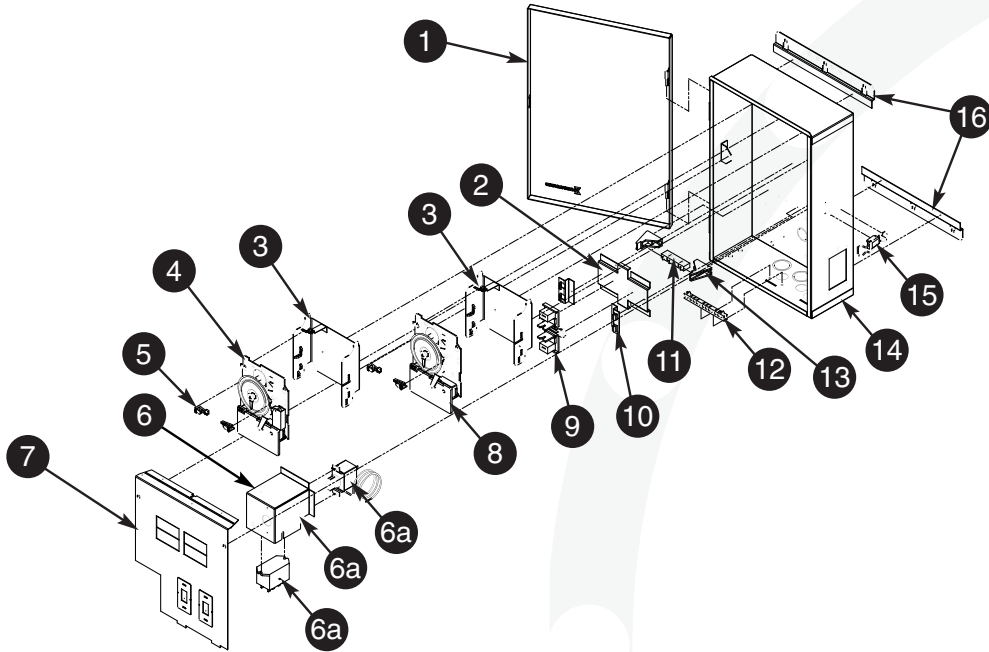
* Prices are subject to change without notice



Genuine Pool & Spa Replacement Parts

INTERMATIC® REPLACEMENT PARTS - POOL/SPA CONTROLS

PF1222TB Freeze Protection Control



Item No.	Description	Part No.	SHIPPING WT. (LB)	LIST PRICE (\$)*
1	Cover - Enclosure	6RC2344A	4.0	44.15
2	Plate - Breaker Mounting	24T5493	1.0	11.66
3	Bracket - Time Switch	22T338GR	0.8	8.08
4	Time Switch Mechanism #1	T104M201	1.8	152.80
5	Trippler - Time Switch (1) ON (1) OFF per pack	156T1978A	0.3	2.80
6	Complete Thermostat Assembly - Pre Wired	PA102	2.5	79.52
7	Plate - Dead Front	24T5473	2.0	28.78
6a	Relay	143T135	0.5	39.72
6b	Plate - Thermostat Housing	24T5189	1.0	18.76
6c	Thermostat	178T24	1.0	43.33
8	Time Switch Mechanism #2	T104M	1.5	113.37
9	Breaker Base	124T2375	0.5	28.55
10	Bracket - Breaker	22T675	0.3	6.76
11	Terminal Bar - Neutral	130T1181	0.5	13.60
12	Terminal Bar - Grounding	PA116	0.5	15.04
13	Bracket - Terminal Mounting	22T676	0.3	5.86
14	Case - Enclosure	2PF3380A-WWH	6.5	66.28
15	Latch - Enclosure	PA117	0.3	12.72
16	Bracket - Enclosure	PA101	1.0	18.05

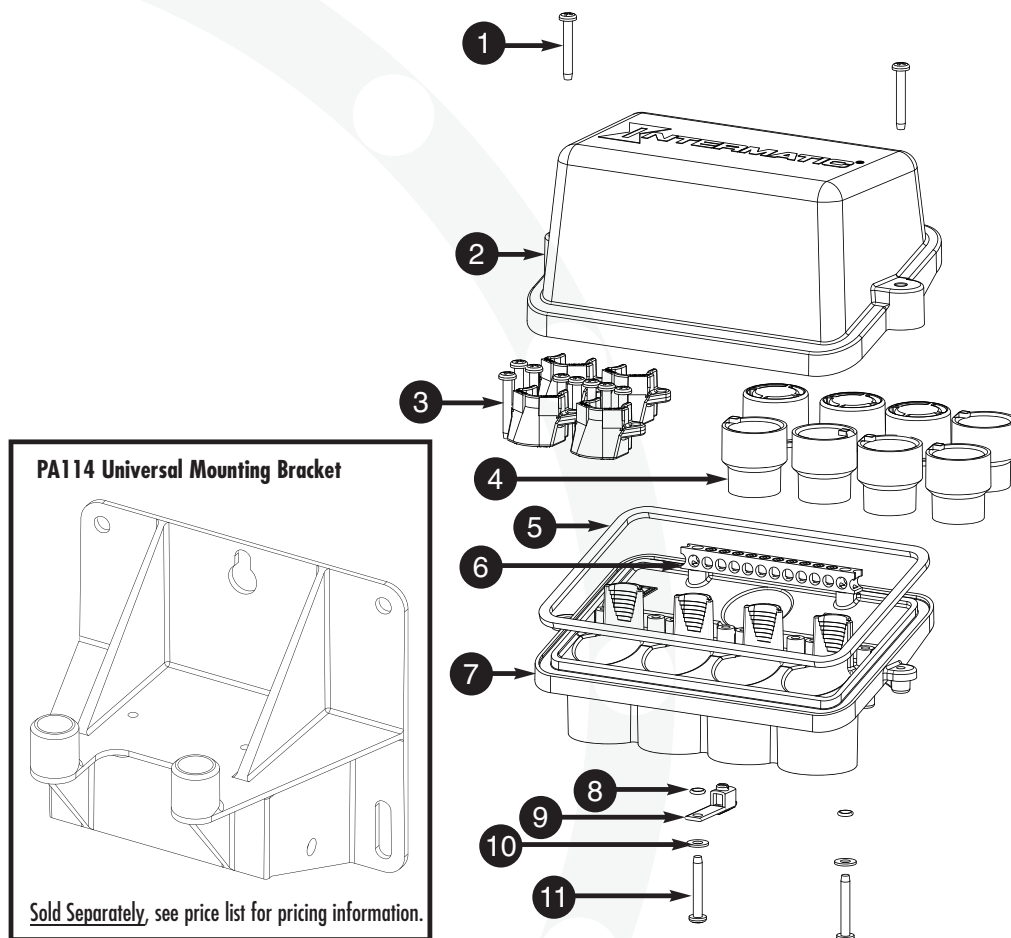
* Prices are subject to change without notice

Genuine Pool & Spa Replacement Parts



INTERMATIC® REPLACEMENT PARTS - POOL/SPA CONTROLS

PJB4175 Swimming Pool Junction Box



Item No.	Description	Part No.	SHIPPING WT. (LB)	LIST PRICE (\$)*
1	Screw - Cover (2) in item 3	-	-	-
2	Cover	PA109	1.5	16.70
3	Clamps (4) & Screws (10) per pack	PA111	0.5	12.50
4	Plugs (4) & Bushings (5) per pack	PA110	1.0	12.50
5	Gasket	PA112	0.5	9.40
6	Terminal Bar - Grounding (1) in item 12	-	-	-
7	Base - available as complete assembly only	PJB4175	2.5	See price list.
8	O-Ring (2) in item 12	-	-	-
9	Terminal - Bonding (1) in item 12	-	-	-
10	Washer (2) in item 12	-	-	-
11	Screw (2) in item 12	-	-	-
12	Terminal Kit - Junction Box	PA113	0.5	18.85

* Prices are subject to change without notice

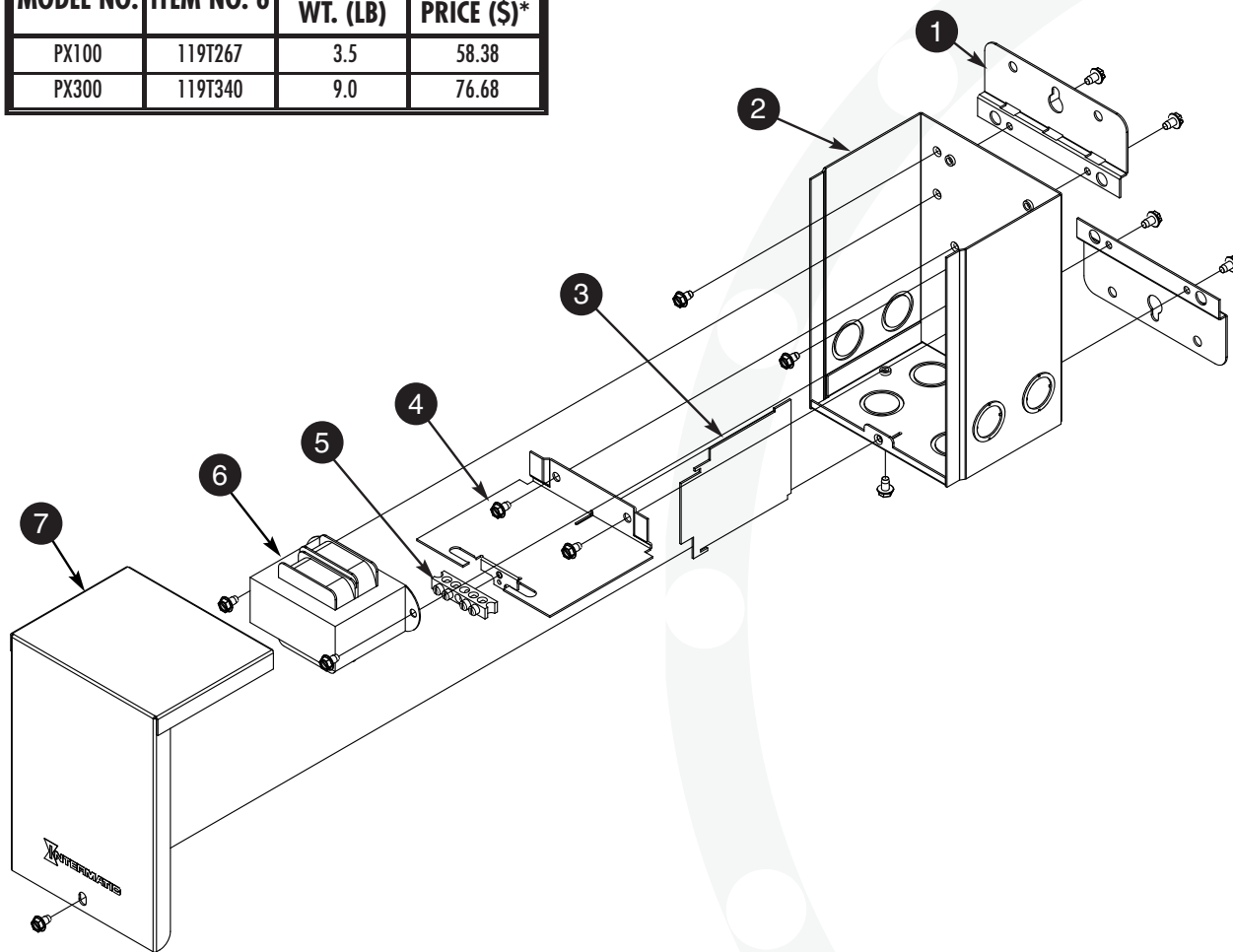


Genuine Pool & Spa Replacement Parts

INTERMATIC® REPLACEMENT PARTS - POOL/SPA CONTROLS

PX100 and PX300 Pool/Spa Light Transformers

MODEL NO.	ITEM NO. 6	SHIPPING WT. (LB)	LIST PRICE (\$)*
PX100	119T267	3.5	58.38
PX300	119T340	9.0	76.68



Item No.	Description	Part No.	SHIPPING WT. (LB)	LIST PRICE (\$)*
1	Bracket - Mounting (1) per pack	22T608	0.5	13.24
2	Housing - Enclosure	24T5155	3.0	34.60
3	Plate - Divider, Vertical	24T5154	0.5	12.10
4	Plate - Divider, Horizontal	24T5169	0.5	14.98
5	Terminal Bar - Grounding	130T1103	0.3	12.58
6	Transformer	See table above.	-	-
7	Cover - Enclosure	6T1930	1.5	21.94

* Prices are subject to change without notice

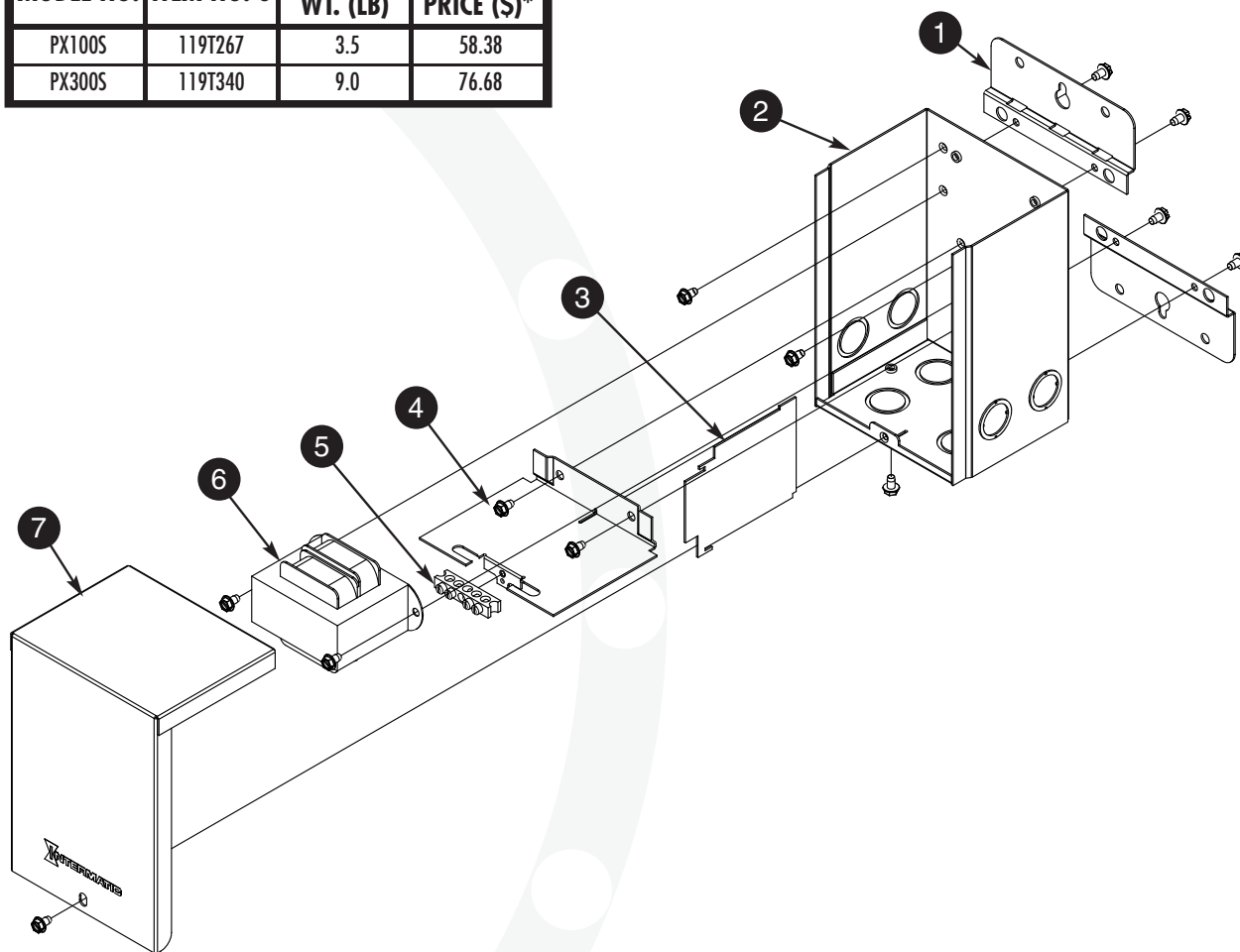
Genuine Pool & Spa Replacement Parts



INTERMATIC® REPLACEMENT PARTS - POOL/SPA CONTROLS

PX100S and PX300S Pool/Spa Light Transformers

MODEL NO.	ITEM NO. 6	SHIPPING WT. (LB)	LIST PRICE (\$)*
PX100S	119T267	3.5	58.38
PX300S	119T340	9.0	76.68



Item No.	Description	Part No.	SHIPPING WT. (LB)	LIST PRICE (\$)*
1	Bracket - Mounting (1) per pack	22T698	0.5	15.70
2	Housing - Enclosure	24T5917	3.0	63.16
3	Plate - Divider, Vertical	24T5661	0.5	14.20
4	Plate - Divider, Horizontal	24T5169	0.5	14.98
5	Terminal Bar - Grounding	130T1103	0.3	12.58
6	Transformer	See table above.	-	-
7	Cover - Enclosure	6T2395-CLR	1.5	39.10

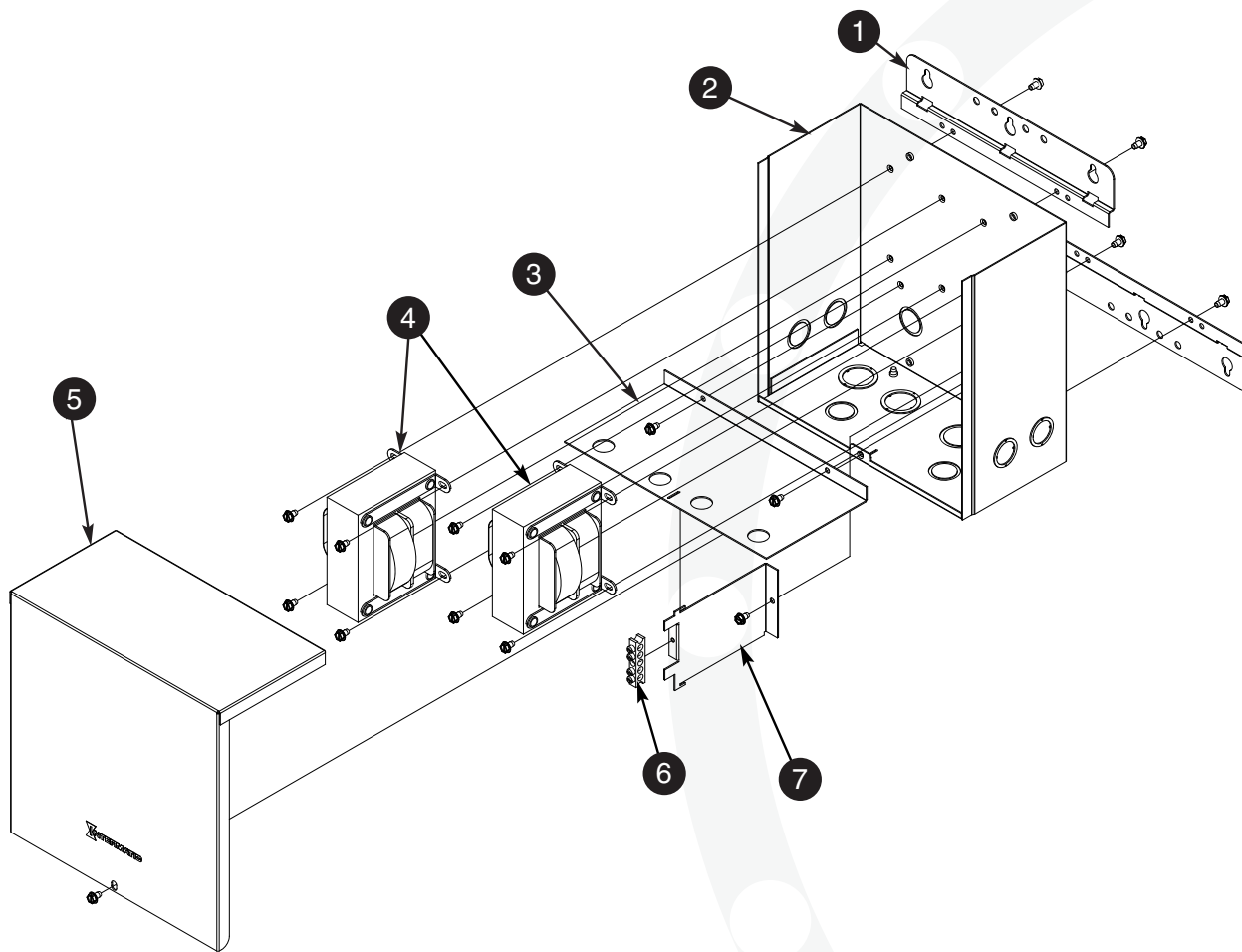
* Prices are subject to change without notice



Genuine Pool & Spa Replacement Parts

INTERMATIC® REPLACEMENT PARTS - POOL/SPA CONTROLS

PX600 Pool/Spa Light Transformer



Item No.	Description	Part No.	SHIPPING WT. (LB)	LIST PRICE (\$)*
1	Bracket - Mounting (1) per pack	22PX972-WWH	0.8	20.14
2	Case - Enclosure	2PX3342	4.0	30.52
3	Plate - Divider, Horizontal	24PX5947	1.0	15.82
4	Transformer	119T340	9.0	76.68
5	Cover - Enclosure	6PX2751	2.0	23.02
6	Terminal Bar - Grounding	130T1103	0.3	12.58
7	Bracket - Divider	22PX923	0.5	12.82

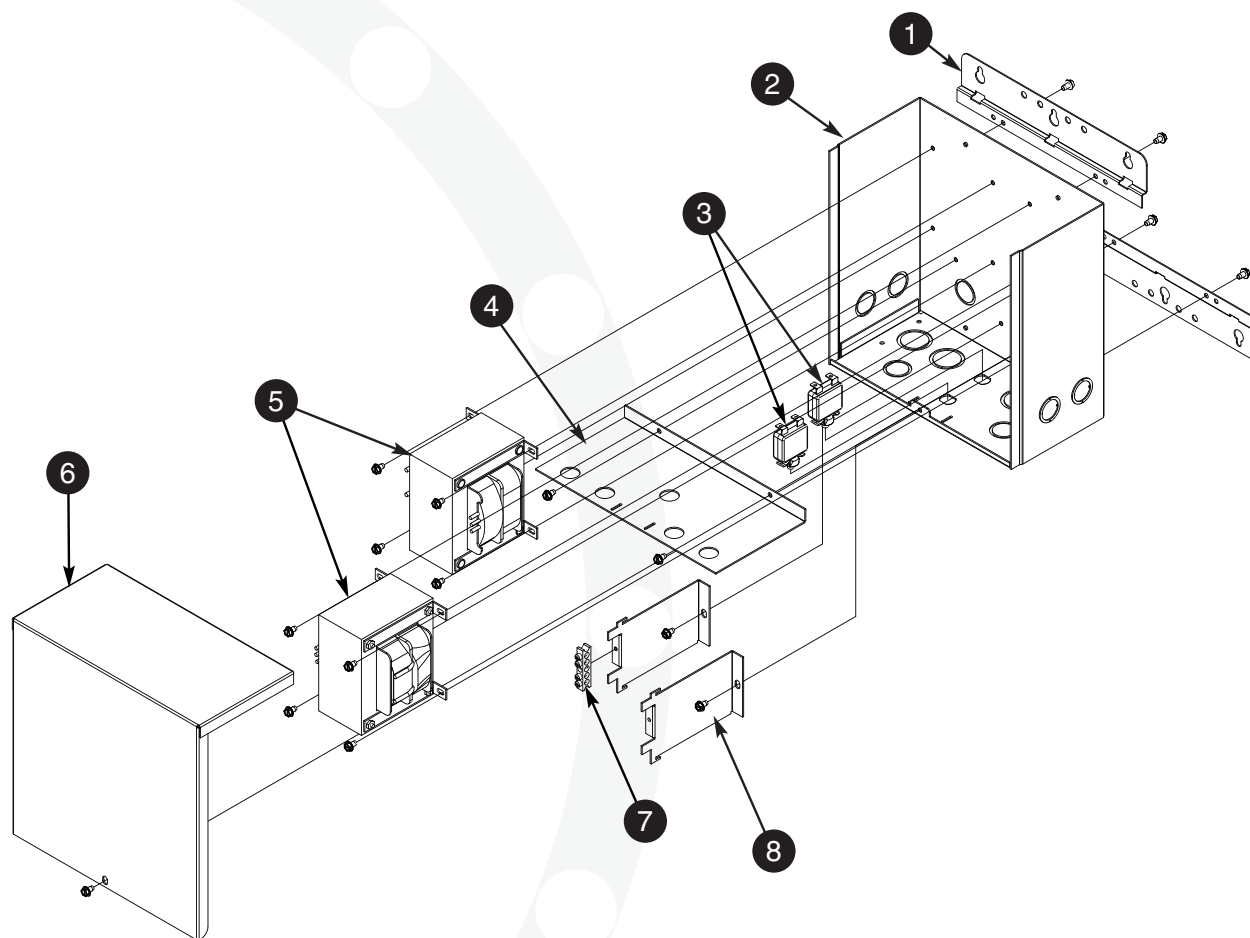
* Prices are subject to change without notice

Genuine Pool & Spa Replacement Parts



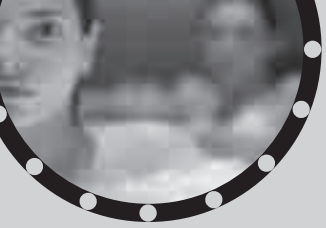
INTERMATIC® REPLACEMENT PARTS - POOL/SPA CONTROLS

PX600S Pool/Spa Light Transformer



Item No.	Description	Part No.	SHIPPING WT. (LB)	LIST PRICE (\$)*
1	Bracket - Mounting (1) per pack	22PL977-CLR	1.0	21.58
2	Case - Enclosure	2PL3410-CLR	4.0	141.28
3	Circuit Protector	121AL415	0.3	17.72
4	Plate - Divider, Horizontal	24PL6095-CLR	1.0	29.38
5	Transformer	119PX608	9.0	110.00
6	Cover - Enclosure	6PL2873-CLR	2.0	99.64
7	Terminal Bar - Grounding	130T1103	0.3	12.58
8	Bracket - Divider	22PL976-CLR	0.5	14.74

* Prices are subject to change without notice

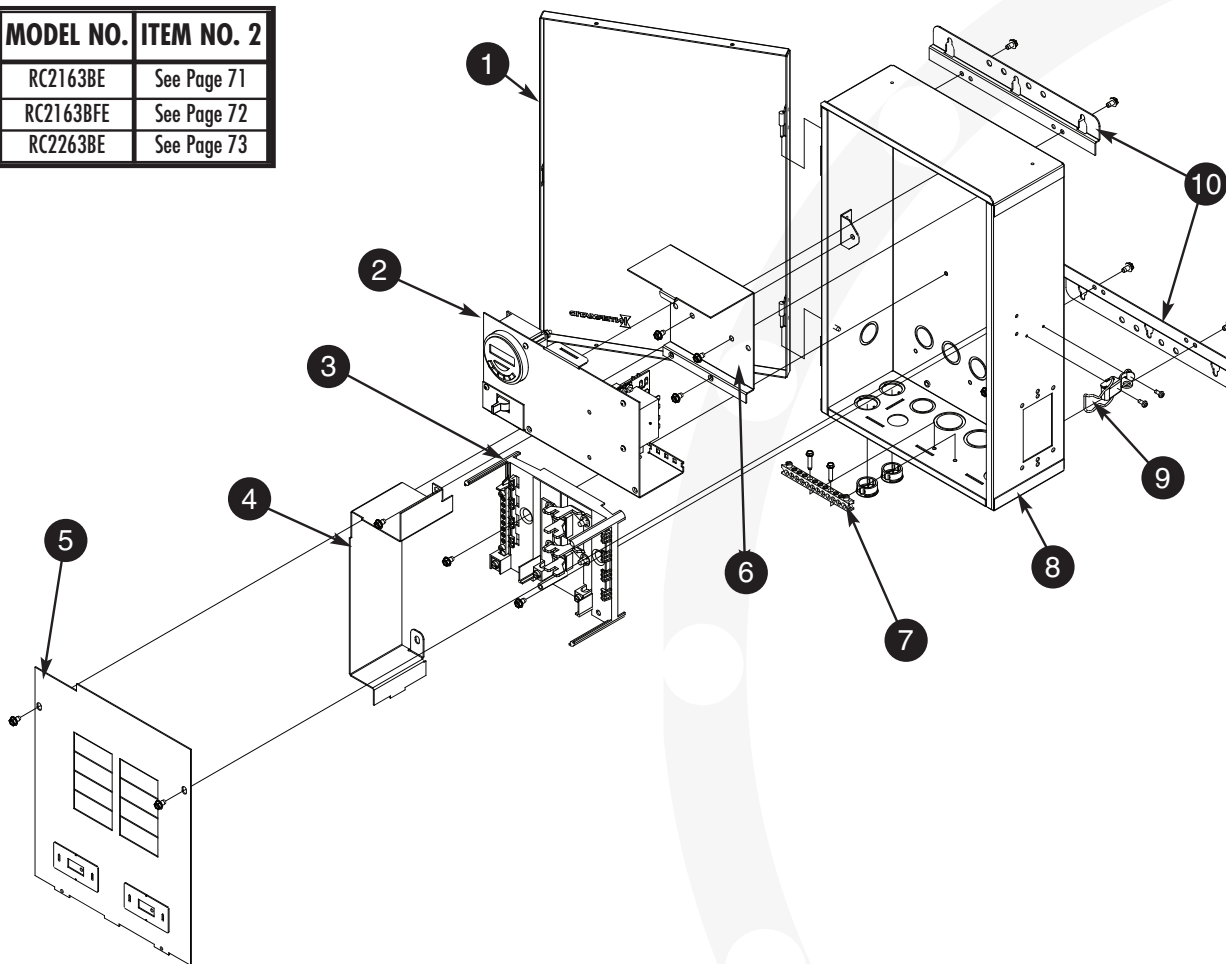


Genuine Pool & Spa Replacement Parts

INTERMATIC® REPLACEMENT PARTS - POOL/SPA CONTROLS

RC2000BE Series Pool-to-Spa Control Panels

MODEL NO.	ITEM NO. 2
RC2163BE	See Page 71
RC2163BFE	See Page 72
RC2263BE	See Page 73



Item No.	Description	Part No.	SHIPPING WT. (LB)	LIST PRICE (\$)*
1	Cover - Enclosure	6RC2344A	3.5	44.15
2	Housing Assembly	See table above.	-	-
3	Breaker Base	124T2530A	1.5	32.74
4	Plate - Divider	24AS6061-WWH	2.0	28.42
5	Plate - Dead Front	24AS6060-WWH	2.0	24.04
6	Plate - Mech. Mounting	24RC5603	1.5	25.90
7	Terminal Bar - Grounding	PA116	0.5	15.04
8	Case - Enclosure	2AS3398A-WWH	6.5	79.51
9	Latch - Enclosure	PA117	0.3	12.72
10	Bracket - Enclosure (2) per pack	PA101	1.0	18.05

* Prices are subject to change without notice

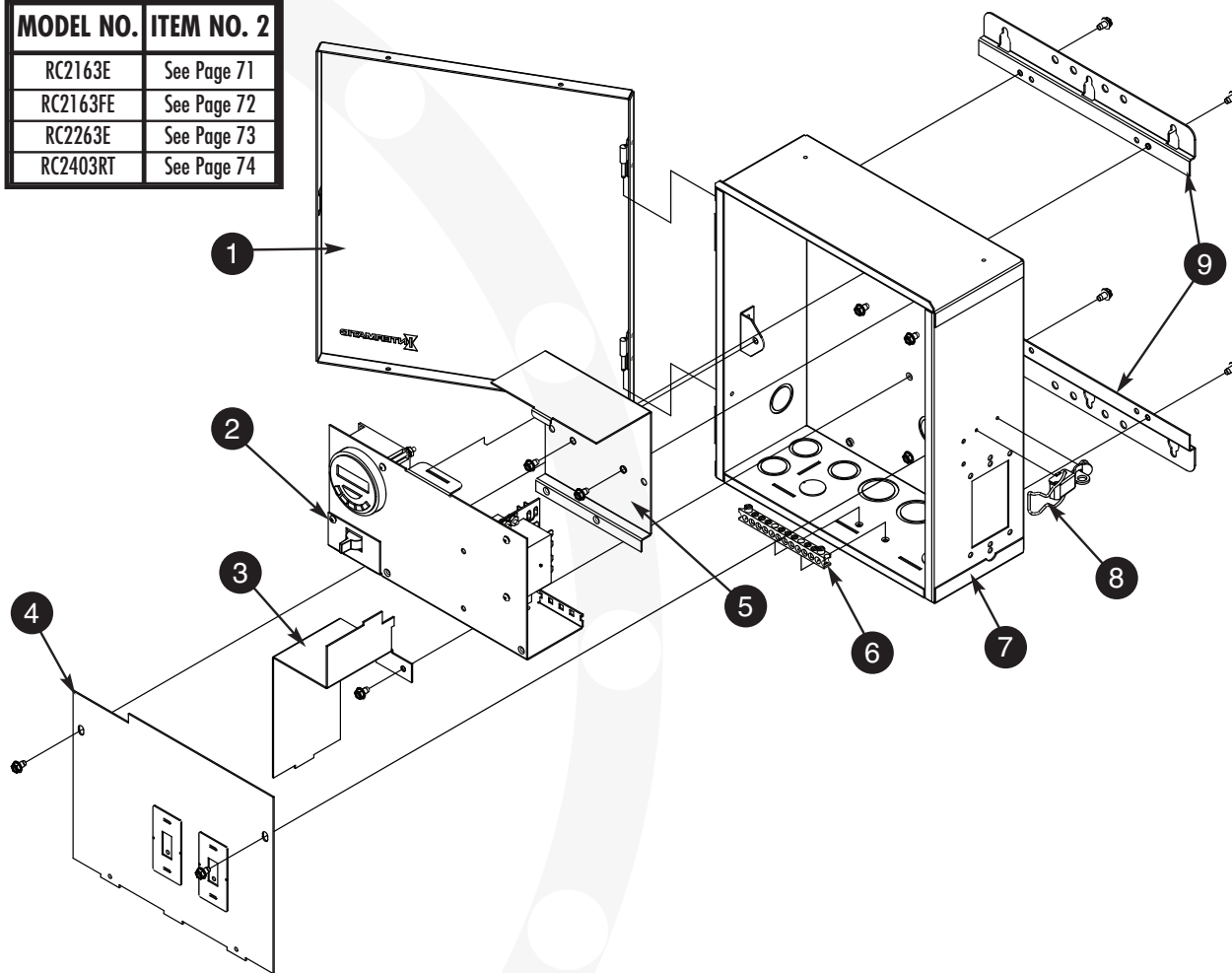
Genuine Pool & Spa Replacement Parts



INTERMATIC® REPLACEMENT PARTS - POOL/SPA CONTROLS

RC2000E Series Pool/Spa Control Centers

MODEL NO.	ITEM NO. 2
RC2163E	See Page 71
RC2163FE	See Page 72
RC2263E	See Page 73
RC2403RT	See Page 74



Item No.	Description	Part No.	SHIPPING WT. (LB)	LIST PRICE (\$)*
1	Cover - Enclosure	6TP2819A-WWH	3.0	41.02
2	Housing Assembly	See table above.	-	-
3	Plate - Divider	24AS6043-WWH	0.8	22.15
4	Plate - Dead Front	24AS6044-WWH	1.5	17.80
5	Plate - Mech. Mounting	24RC5603	1.5	25.90
6	Terminal Bar - Grounding	PA116	0.5	15.04
7	Case - Enclosure	2TP3388-WWH	6.0	74.56
8	Latch - Enclosure	PA117	0.3	12.72
9	Bracket - Enclosure	PA101	1.0	18.05

* Prices are subject to change without notice

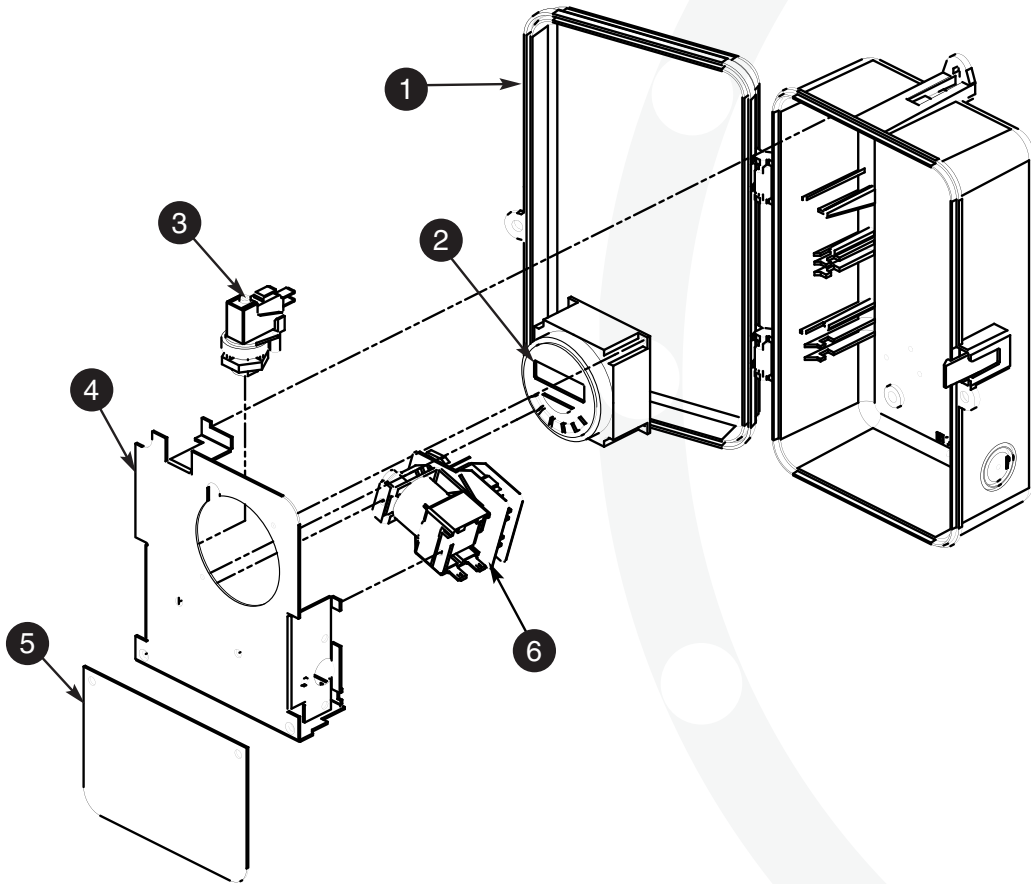


Genuine Pool & Spa Replacement Parts

INTERMATIC® REPLACEMENT PARTS - POOL/SPA CONTROLS

RC2000P and RC2000PT Series Air Actuated Controls

MODEL NO.	ITEM NO. 2	ITEM NO. 4	ITEM NO. 5	ITEM NO. 6	SHIPPING WT. (LB)	LIST PRICE (\$)*
RC2133P	NO	24RC5270	24RC5196	143RC87	1.5	52.72
RC2233P	NO	24RC5270	24RC5196	143RC87	1.5	52.72
RC2343P	NO	24RC5194	24RC5196	143RC140	2.5	76.92
RC2123PT	YES	24RC5195	24RC5197	143RC126	1.5	48.15
RC2343PT	YES	24RC5195	24RC5197	143RC140	2.5	76.92



Item No.	Description	Part No.	SHIPPING WT. (LB)	LIST PRICE (\$)*
1	Case	2RC2925A	3.0	68.29
2	Timer	PB313E	0.5	38.10
3	Air Switch - Momentary	133RC1144	0.3	17.33
4	Plate - Mech. Mounting	See table above.	1.0	32.08
5	Dead Front - Wiring Compartment	See table above.	1.0	13.48
6	Relay	See table above.	-	-

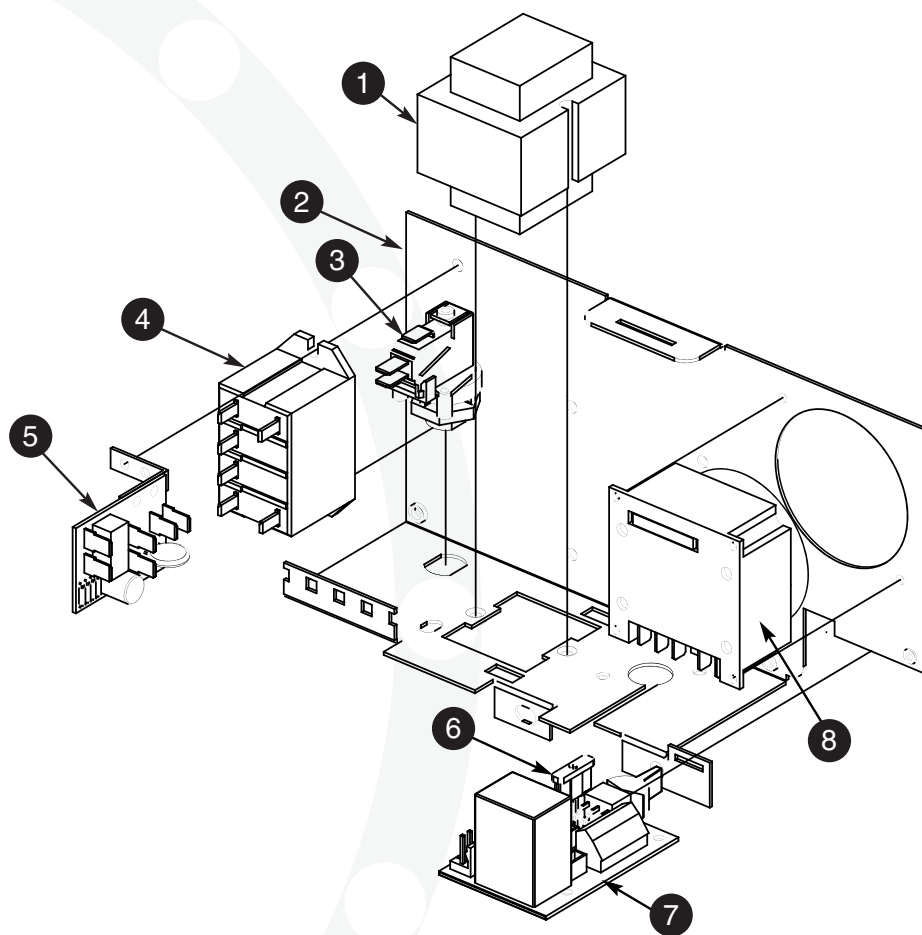
* Prices are subject to change without notice

Genuine Pool & Spa Replacement Parts



INTERMATIC® REPLACEMENT PARTS - POOL/SPA CONTROLS

Housing Assembly for RC2163E and RC2163BE



Item No.	Description	Part No.	SHIPPING WT. (LB)	LIST PRICE (\$)*
1	Transformer	119RC335A	2.0	48.22
2	Plate - Housing	24AS6151-WWH	1.5	23.56
3	Switch - Air	133RC1144	0.3	17.33
4	Relay - Pump	143RC151	0.5	41.20
5	P.C. Board - LV (Part of item 6)	-	-	-
6	Fuse	121RC52	0.3	12.32
7	P.C. Board - Control	188RC1363A	0.5	150.94
8	Timer	PB313E	0.5	38.10

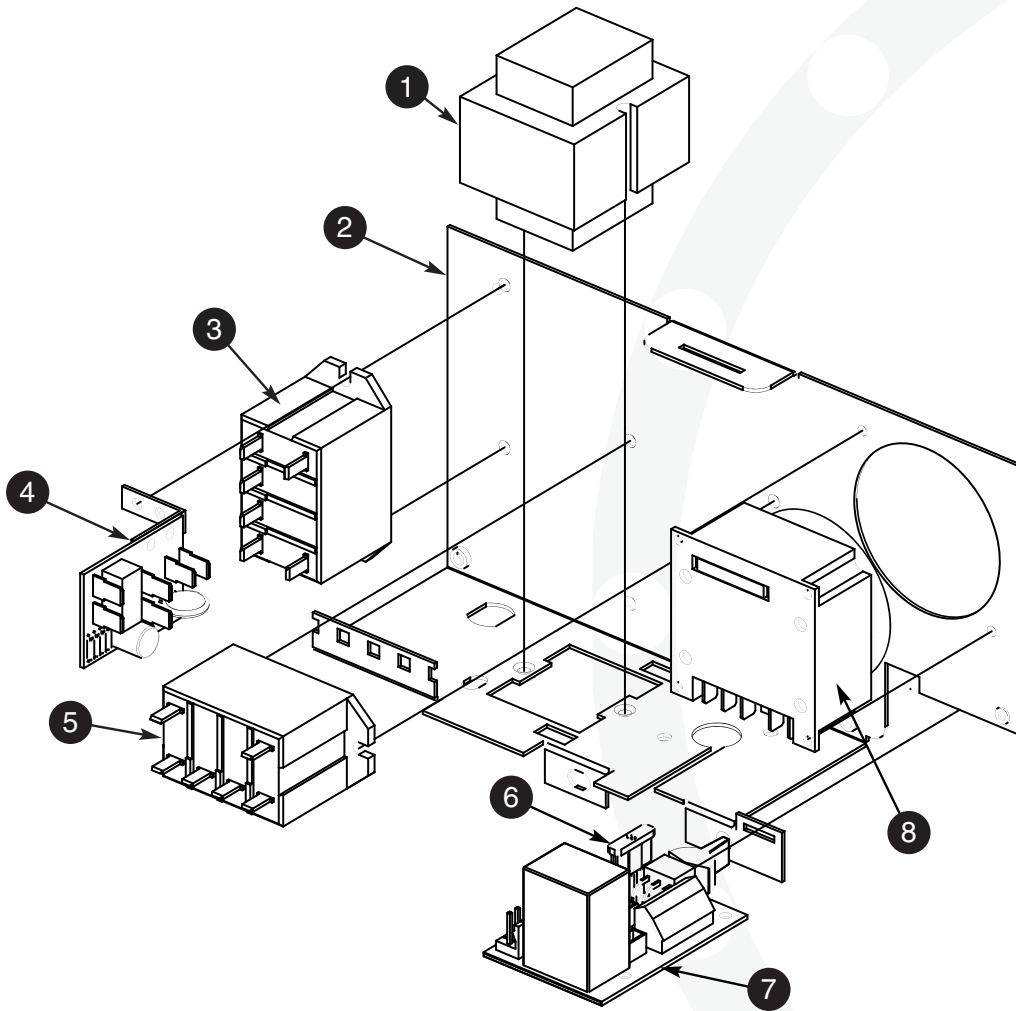
* Prices are subject to change without notice



Genuine Pool & Spa Replacement Parts

INTERMATIC® REPLACEMENT PARTS - POOL/SPA CONTROLS

Housing Assembly for RC2163FE and RC2163BFE



Item No.	Description	Part No.	SHIPPING WT. (LB)	LIST PRICE (\$)*
1	Transformer	119RC335A	2.0	48.22
2	Plate - Housing	24AS6151-WWH	1.5	23.56
3	Relay - Pump	143RC151	0.5	41.20
4	P.C. Board - LV (Part of Item 6)	-	-	-
5	Relay - Low Voltage	143RC151	0.5	41.20
6	Fuse	121RC52	0.1	12.32
7	P.C. Board - Control	188RC1712A	0.5	170.44
8	Timer	PB313E	0.5	38.10

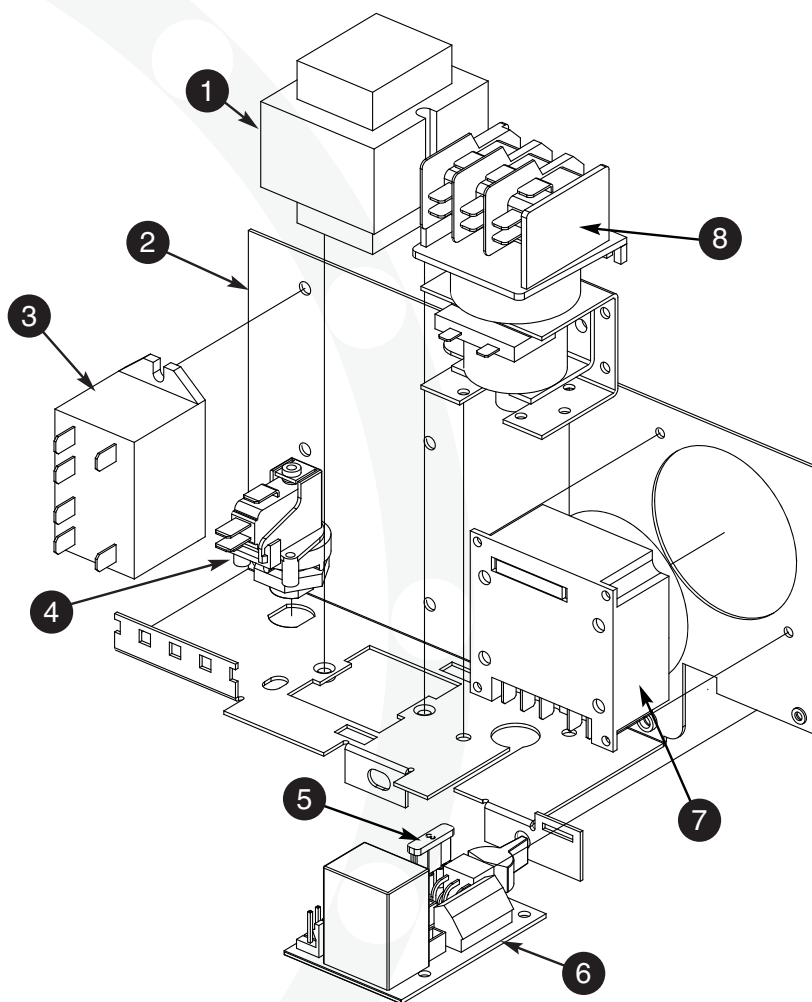
* Prices are subject to change without notice

Genuine Pool & Spa Replacement Parts



INTERMATIC® REPLACEMENT PARTS - POOL/SPA CONTROLS

Housing Assembly for RC2263E and RC2263BE



Item No.	Description	Part No.	SHIPPING WT. (LB)	LIST PRICE (\$)*
1	Transformer	119RC335A	2.0	48.22
2	Plate - Housing	24AS6151-WWH	1.5	23.56
3	Relay - Low Speed	143T136	0.5	39.72
4	Switch - Air	133RC1144	0.3	17.33
5	Fuse	121RC52	0.1	12.32
6	P.C. Board Assembly	188AS1799A	0.5	122.44
7	Timer	PB313E	0.5	38.10
8	Relay - Stepper	143RC150	1.0	82.55

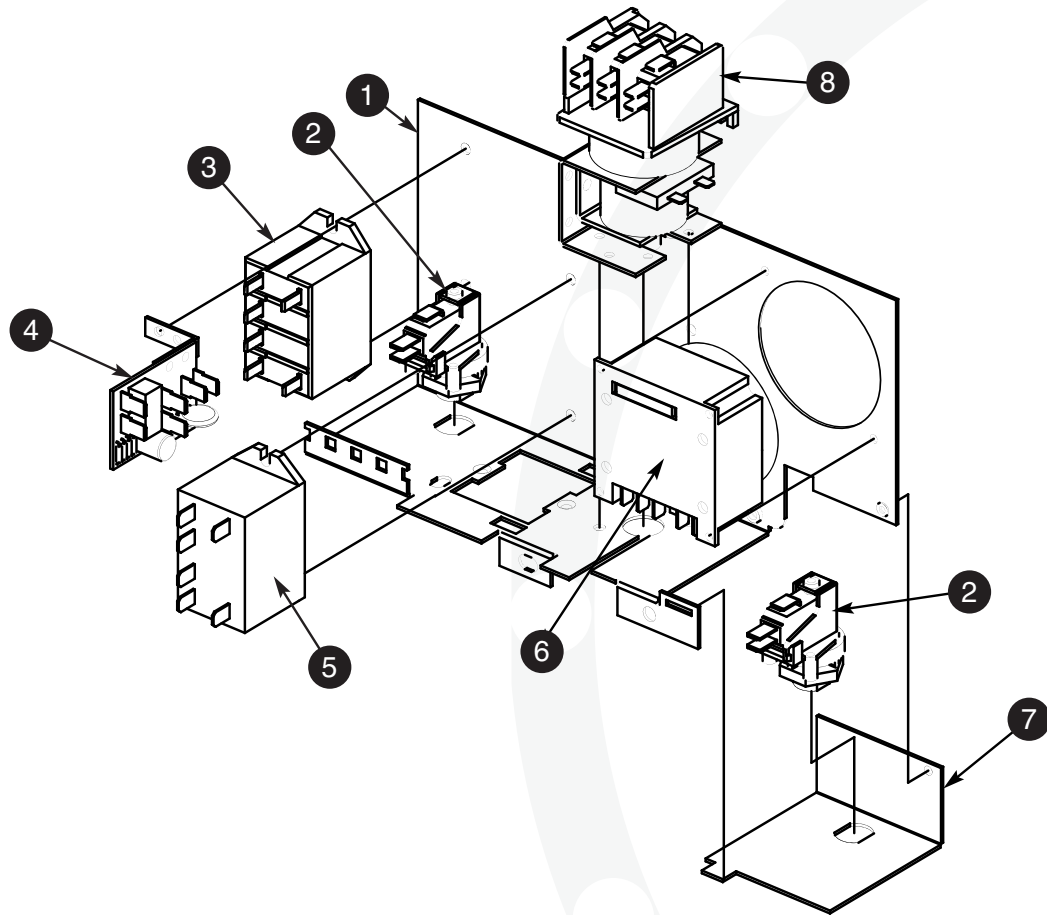
* Prices are subject to change without notice



Genuine Pool & Spa Replacement Parts

INTERMATIC® REPLACEMENT PARTS - POOL/SPA CONTROLS

Housing Assembly for RC2403RT



Item No.	Description	Part No.	SHIPPING WT. (LB)	LIST PRICE (\$)*
1	Plate - Housing	24AS6151-WWH	1.5	23.56
2	Switch - Air	133RC1144	0.3	17.33
3	Relay - Circuit #2	143T136	0.5	39.72
4	P.C. Board - Pulse Converter	188AS1818A	0.5	66.16
5	Relay - Low Speed	143T136	0.5	39.72
6	Timer	PB1313E	0.5	38.10
7	Plate - Air Switch	24AS6024-WWH	0.5	19.06
8	Relay - Stepper	143RC140	1.0	76.92

* Prices are subject to change without notice

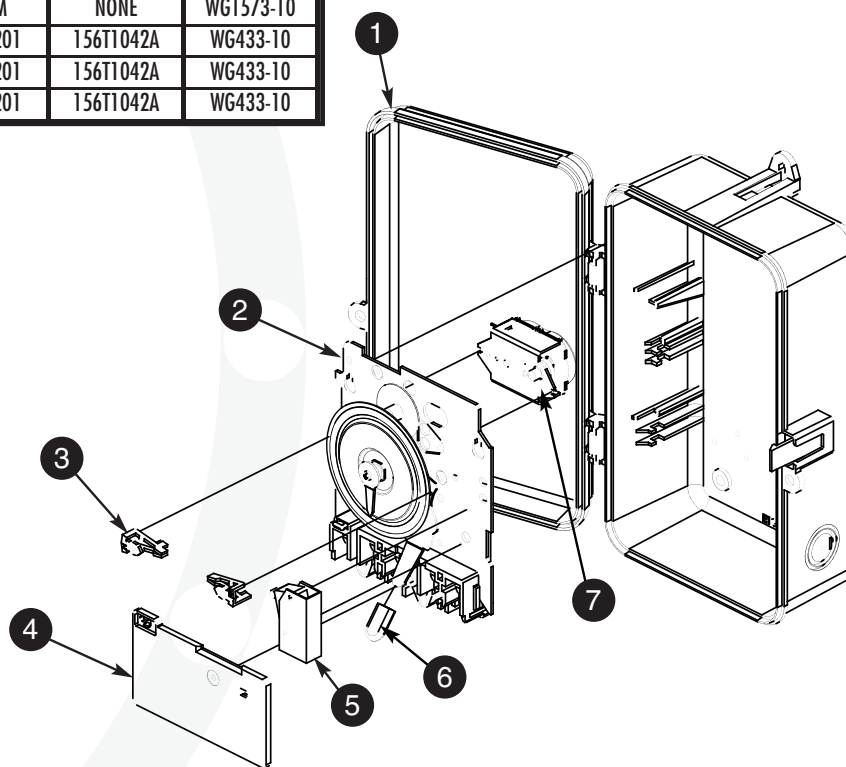
Genuine Pool & Spa Replacement Parts



INTERMATIC® REPLACEMENT PARTS - POOL/SPA CONTROLS

T100 Series Time Switches

MODEL NO.	ITEM NO. 1	ITEM NO. 2	ITEM NO. 5	ITEM NO. 7
T101P3	2T2502GA	T101M	NONE	WG1570-10
T101P4	2T3352A	T101M	NONE	WG1570-10
T101R3	2T2485GA	T101M	NONE	WG1570-10
T101P201	2T2502GA	T101M201	156T1042A	WG430-10
T101P204	2T3352A	T101M201	156T1042A	WG430-10
T101R201	2T2485GA	T101R201	156T1042A	WG430-10
T104P3	2T2502GA	T104M	NONE	WG1573-10
T104P4	2T3352A	T104M	NONE	WG1573-10
T104R3	2T2485GA	T104M	NONE	WG1573-10
T104P201	2T2502GA	T104M201	156T1042A	WG433-10
T104P204	2T3352A	T104M201	156T1042A	WG433-10
T104R201	2T2485A	T104M201	156T1042A	WG433-10



Item No.	Description	Part No.	SHIPPING WT. (LB)	LIST PRICE (\$)*
1	Case	See table above.	3.0	66.93
2	Switch Mechanism - Complete	See table above.	1.5	107.97**
3	Tripper, (1) ON - (1) OFF per pack	156T1978A	0.3	2.67
4	Insulator - Terminals (10) per pack	124T2411A	0.5	11.92
5	Switch - Heater (Fireman)	See table above.	0.5	22.22
6	Insulator Sleeve (10) per pack	156T6738A	0.3	3.70
7	Motor - Clock	See table above.	0.5	27.35**

* Prices are subject to change without notice

** Price may vary depending on model selected

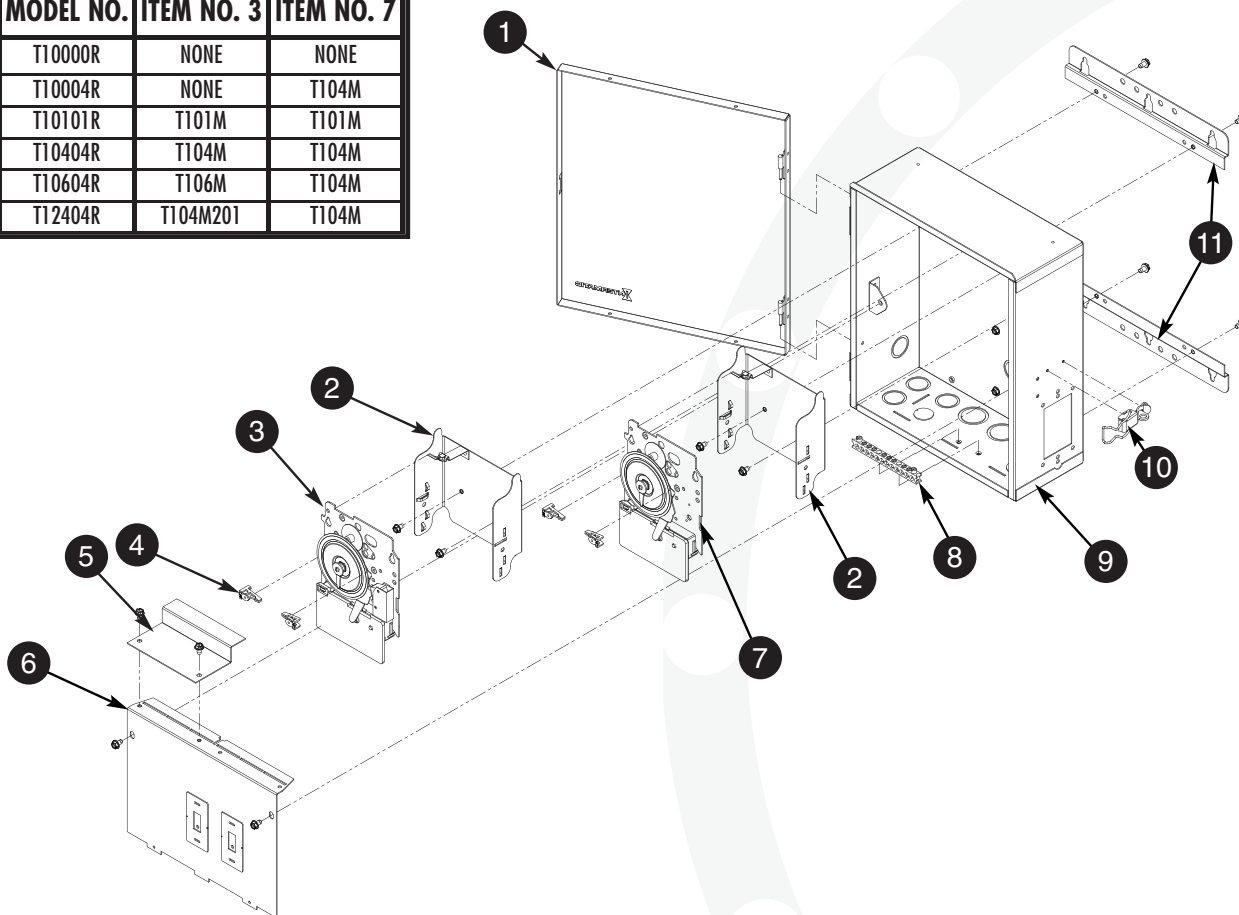


Genuine Pool & Spa Replacement Parts

INTERMATIC® REPLACEMENT PARTS - POOL/SPA CONTROLS

T10000R Series Control Centers

MODEL NO.	ITEM NO. 3	ITEM NO. 7
T10000R	NONE	NONE
T10004R	NONE	T104M
T10101R	T101M	T101M
T10404R	T104M	T104M
T10604R	T106M	T104M
T12404R	T104M201	T104M



Item No.	Description	Part No.	SHIPPING WT. (LB)	LIST PRICE (\$)*
1	Cover - Enclosure	6TP2819A-WWH	3.0	41.02
2	Bracket - Time Switch	22T338GR	0.8	8.08
3	Time Switch Mechanism # 1	See table above.	1.5	113.37**
4	Tripper - Time Switch, (1) ON - (1) OFF per pack	156T1978A	0.3	2.80
5	Plate - Filler	24T5796-WWH	0.8	15.20
6	Plate - Dead Front	24TP6019-WWH	1.5	20.74
7	Mechanism #2	See table above.	1.5	113.37**
8	Terminal Bar - Grounding	PA116	0.5	15.04
9	Case - Enclosure	2TP3388A-WWH	6.0	74.56
10	Latch - Enclosure	PA117	0.3	12.72
11	Bracket - Enclosure (2) per pack	PA101	1.0	18.05

* Prices are subject to change without notice

** Price may vary depending on model selected

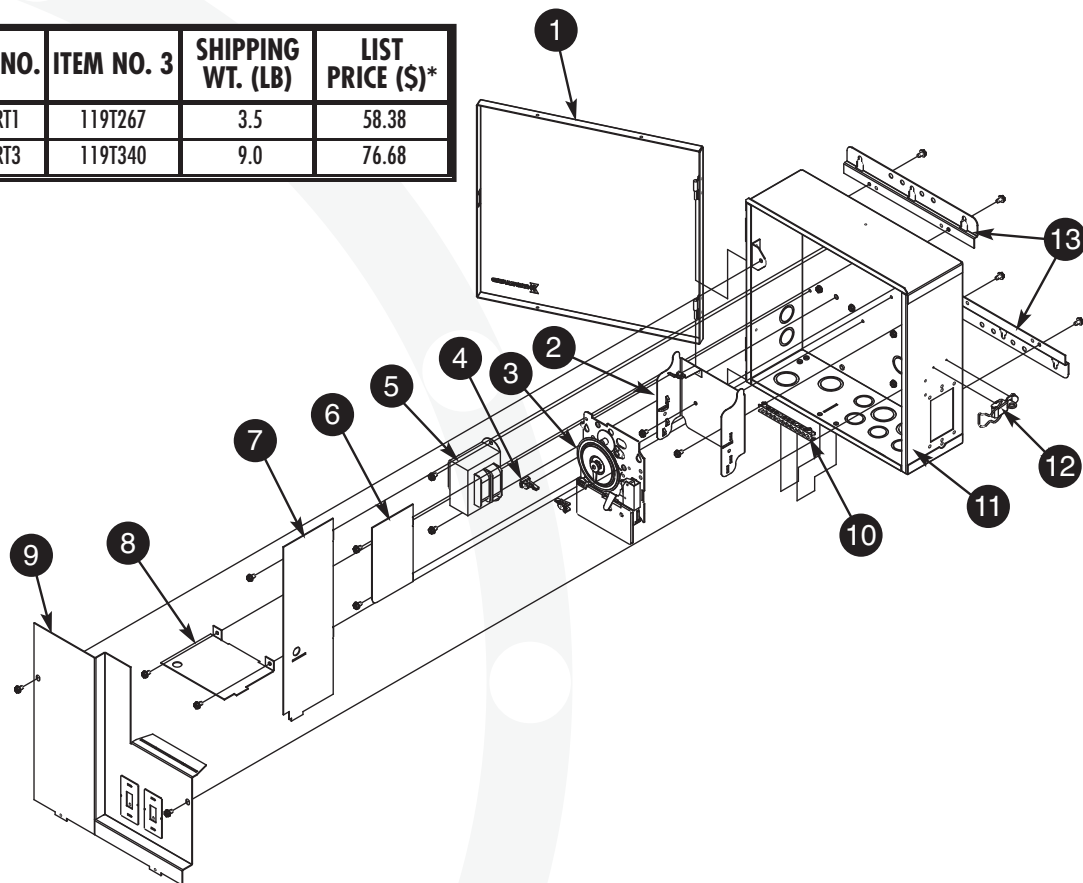
Genuine Pool & Spa Replacement Parts



INTERMATIC® REPLACEMENT PARTS - POOL/SPA CONTROLS

T10000RT Series Control Centers

MODEL NO.	ITEM NO. 3	SHIPPING WT. (LB)	LIST PRICE (\$)*
T10004RT1	119T267	3.5	58.38
T10004RT3	119T340	9.0	76.68



Item No.	Description	Part No.	SHIPPING WT. (LB)	LIST PRICE (\$)*
1	Cover - Enclosure	6TP2834A-WWH	3.0	39.84
2	Bracket - Time Switch	22T338GR	0.8	8.08
3	Time Switch Mechanism	T104M	1.5	113.37
4	Tripper - Time Switch, (1) ON - (1) OFF per pack	156T1978A	0.3	2.80
5	Transformer	See table above.	-	-
6	Plate - Divider	24TP6058-WWH	0.5	27.34
7	Plate - Barrier	24TP6059-WWH	0.8	26.26
8	Plate - Transformer	24TP5731-WWH	0.5	15.20
9	Plate - Dead Front	24TP6057-WWH	2.0	33.70
10	Terminal Bar - Grounding	PA116	0.5	15.04
11	Case - Enclosure	2TP3397A-WWH	6.0	78.88
12	Latch - Enclosure	PA117	0.3	12.72
13	Bracket - Enclosure (2) per pack	PA101	1.0	18.05

* Prices are subject to change without notice

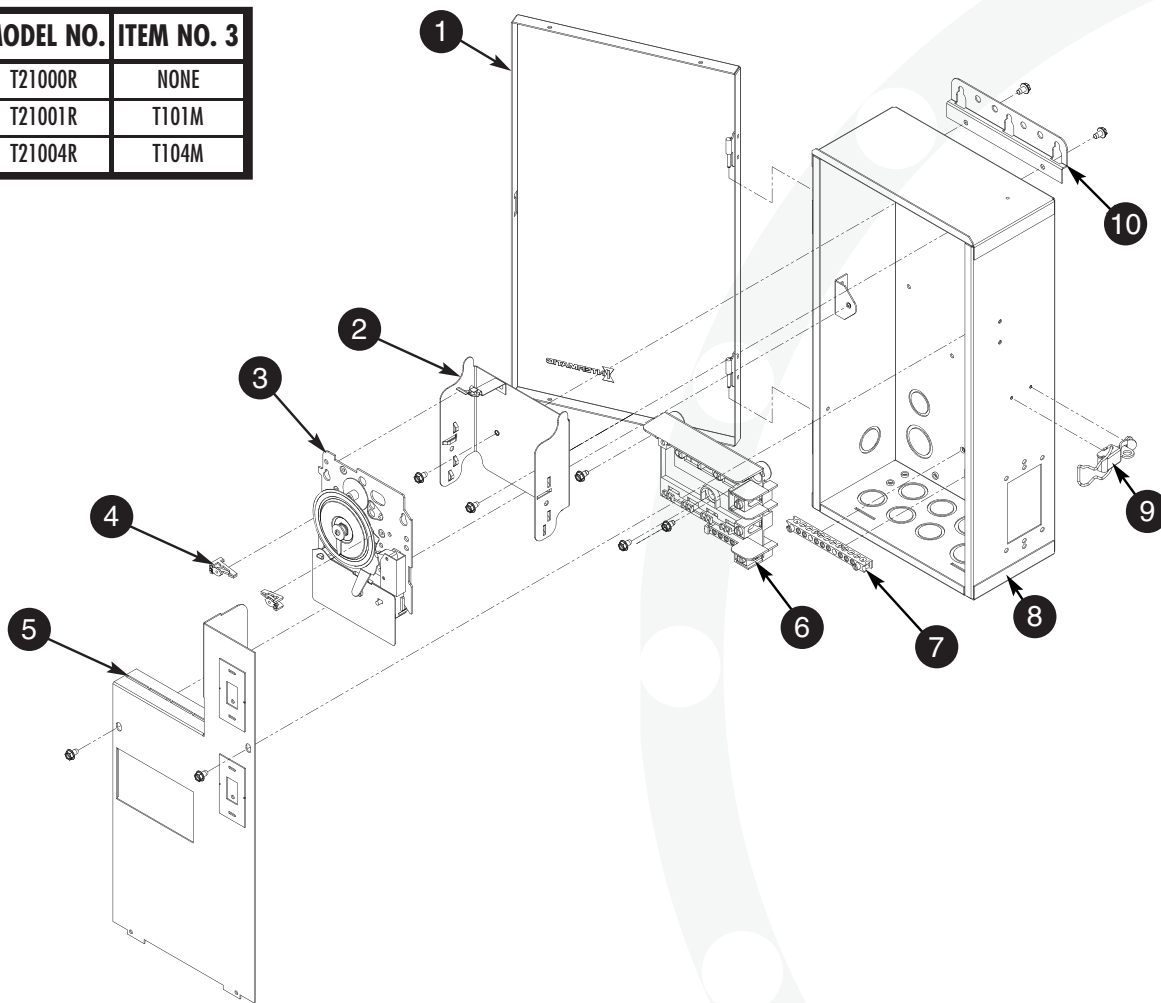


Genuine Pool & Spa Replacement Parts

INTERMATIC® REPLACEMENT PARTS - POOL/SPA CONTROLS

T21000R Series Control Panels

MODEL NO.	ITEM NO. 3
T21000R	NONE
T21001R	T101M
T21004R	T104M



Item No.	Description	Part No.	SHIPPING WT. (LB)	LIST PRICE (\$)*
1	Cover - Enclosure	6TP2776A	3.0	35.20
2	Bracket - Time Switch	22T338GR	0.8	8.08
3	Time Switch Mechanism	See table above.	1.5	113.37**
4	Tripper - Time Switch, (1) ON - (1) OFF per pack	156T1978A	0.3	2.80
5	Plate - Dead Front	24TP5983A	1.8	36.88
6	Breaker Base	124TP2540A	1.5	29.97
7	Terminal Bar - Grounding	PA116	0.5	15.04
8	Case - Enclosure	2TP3350A	6.0	74.62
9	Latch - Enclosure	PA117	0.3	12.72
10	Bracket - Enclosure (1) per pack	22T722	0.5	12.15

* Prices are subject to change without notice

** Price may vary depending on model selected

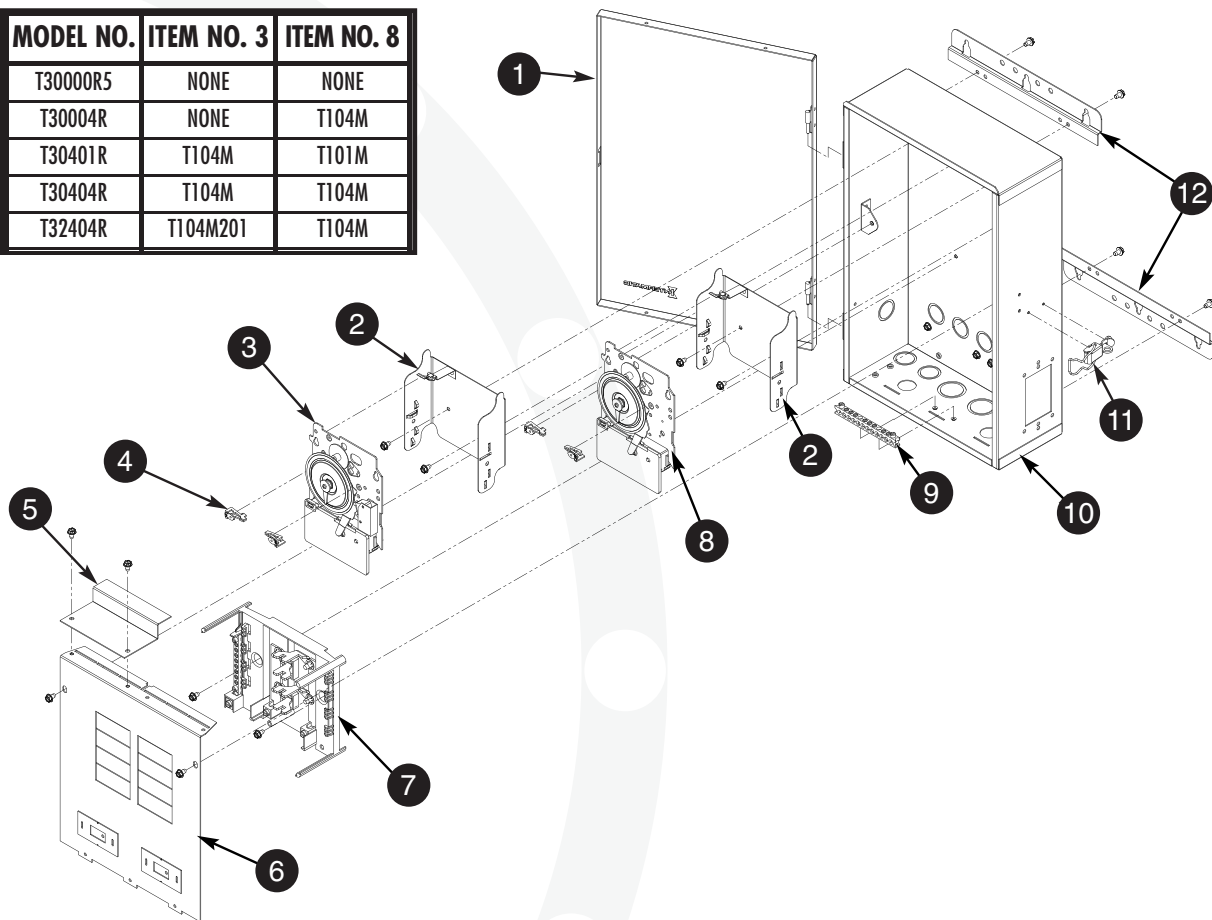
Genuine Pool & Spa Replacement Parts



INTERMATIC® REPLACEMENT PARTS - POOL/SPA CONTROLS

T30000R Series Control Panels

MODEL NO.	ITEM NO. 3	ITEM NO. 8
T30000R5	NONE	NONE
T30004R	NONE	T104M
T30401R	T104M	T101M
T30404R	T104M	T104M
T32404R	T104M201	T104M



Item No.	Description	Part No.	SHIPPING WT. (LB)	LIST PRICE (\$)*
1	Cover - Enclosure	6RC2344A	3.5	44.02
2	Bracket - Time Switch	22T338GR	0.8	8.08
3	Time Switch Mechanism #1	See table above.	1.5	113.37**
4	Tripper - Time Switch, (1) ON - (1) OFF per pack	156T1978A	0.3	2.80
5	Plate - Filler	24T5796-WWH	0.8	15.20
6	Plate - Dead Front	24T5762	2.0	23.44
7	Breaker Base	124T2530A	1.5	32.74
8	Time Switch Mechanism #2	See table above.	1.5	113.37**
9	Terminal Bar - Grounding	PA116	0.5	15.04
10	Case - Enclosure	2T3130A	6.5	74.98
11	Latch - Enclosure	PA117	0.3	12.72
12	Bracket - Enclosure (2) per pack	PA101	1.0	18.05

* Prices are subject to change without notice

** Price may vary depending on model selected

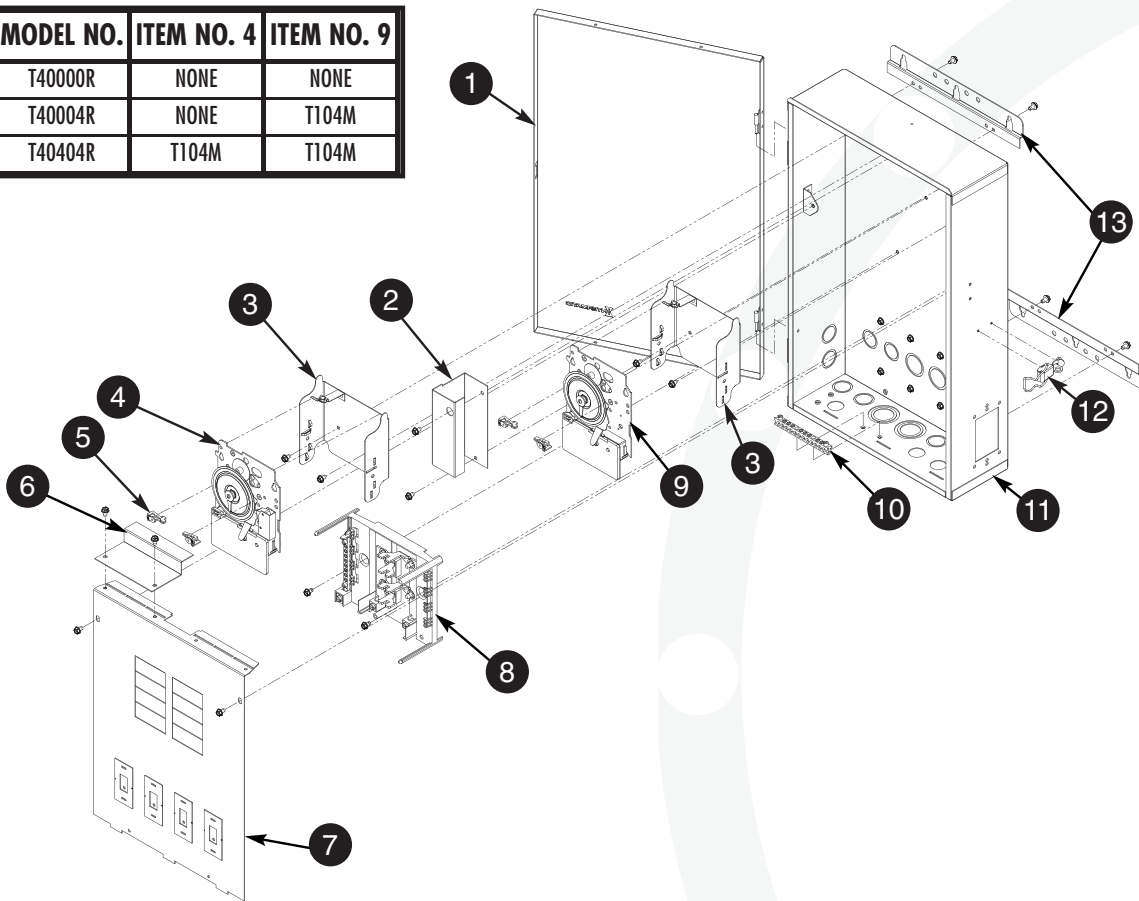


Genuine Pool & Spa Replacement Parts

INTERMATIC® REPLACEMENT PARTS - POOL/SPA CONTROLS

T4000R Series Control Panels

MODEL NO.	ITEM NO. 4	ITEM NO. 9
T4000R	NONE	NONE
T40004R	NONE	T104M
T40404R	T104M	T104M



Item No.	Description	Part No.	SHIPPING WT. (LB)	LIST PRICE (\$)*
1	Cover - Enclosure	6T2496A-WWH	5.0	43.96
2	Plate - Wire Shield	24T5055-WWH	1.0	16.24
3	Bracket - Time Switch	22T338GR	0.8	8.08
4	Time Switch Mechanism #1	See table above.	1.5	113.37**
5	Tripper - Time Switch (1) ON (1) OFF per pack	156T1978A	0.3	2.80
6	Plate - Filler	24T5796-WWH	0.8	15.20
7	Plate - Dead Front	24T5741-WWH	3.5	30.28
8	Breaker Base	124T2530A	1.5	32.74
9	Time Switch Mechanism #2	See table above.	1.5	113.37**
10	Terminal Bar - Grounding	PA116	0.5	15.04
11	Case - Enclosure	2T3120A-WWH	11.0	87.46
12	Latch - Enclosure	PA117	0.3	12.72
13	Bracket - Enclosure (2) per pack	PA101	1.0	18.05

* Prices are subject to change without notice

** Price may vary depending on model selected

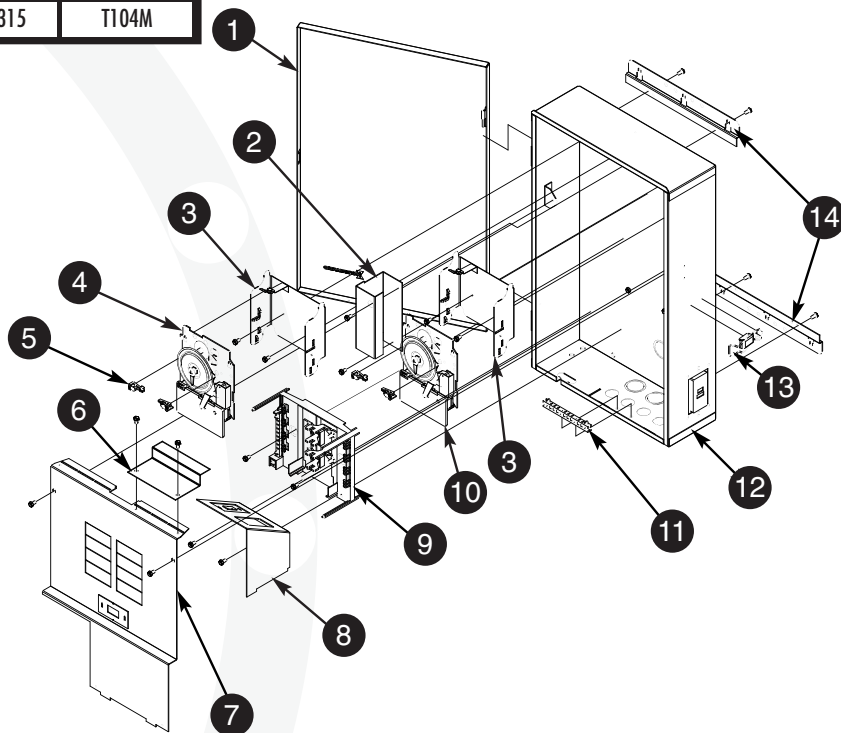
Genuine Pool & Spa Replacement Parts



INTERMATIC® REPLACEMENT PARTS - POOL/SPA CONTROLS

T4000R4 and R5 Series Control Panels

MODEL NO.	ITEM NO. 4	ITEM NO. 8	ITEM NO. 10
T4000R4	NONE	24T5312	NONE
T4000R5	NONE	24T5315	T104M
T4040R5	T104M	24T5315	T104M



Item No.	Description	Part No.	SHIPPING WT. (LB)	LIST PRICE (\$)*
1	Cover - Enclosure	6T2496-WWH	5.0	43.96
2	Plate - Wire Shield	24T5055-WWH	1.0	16.24
3	Bracket - Time Switch	22T338GR	0.8	8.08
4	Time Switch Mechanism #1	See table above.	1.5	113.37**
5	Tripper - Time Switch (1) ON (1) OFF per pack	156T1978A	0.3	2.80
6	Plate - Filler	24T5796-WWH	0.8	15.20
7	Plate - Dead Front	24T5744	3.5	31.10
8	Plate - GFCI	See table above.	1.0	27.28**
9	Breaker Base	124T2530A	1.5	32.74
10	Time Switch Mechanism #2	See table above.	1.5	113.37**
11	Terminal Bar - Grounding	PA116	0.5	15.04
12	Case - Enclosure	2T3124A	11.0	87.46
13	Latch - Enclosure	PA117	0.3	12.72
14	Bracket - Enclosure (2) per pack	PA101	1.0	18.05

* Prices are subject to change without notice

** Price may vary depending on model selected



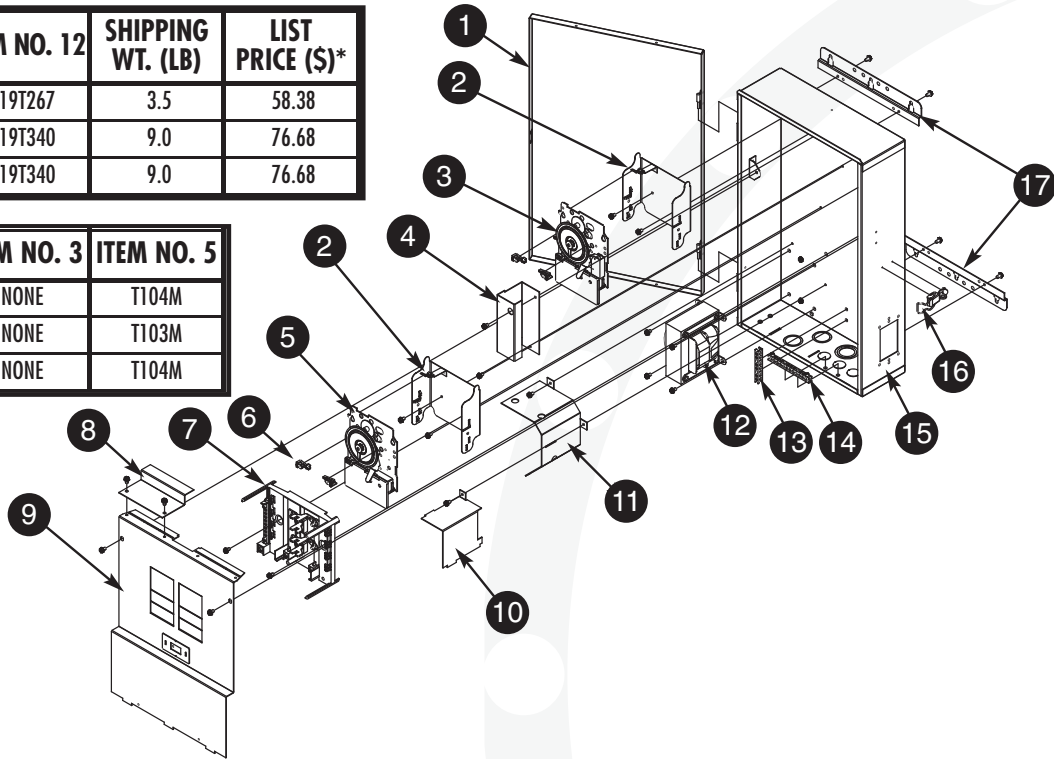
Genuine Pool & Spa Replacement Parts

INTERMATIC® REPLACEMENT PARTS - POOL/SPA CONTROLS

T4000RT Series Control Panels

MODEL NO.	ITEM NO. 12	SHIPPING WT. (LB)	LIST PRICE (\$)*
T40004RT1	119T267	3.5	58.38
T40003RT3	119T340	9.0	76.68
T40004RT3	119T340	9.0	76.68

MODEL NO.	ITEM NO. 3	ITEM NO. 5
T40004RT1	NONE	T104M
T40003RT3	NONE	T103M
T40004RT3	NONE	T104M



Item No.	Description	Part No.	SHIPPING WT. (LB)	LIST PRICE (\$)*
1	Cover - Enclosure	6T2496A-WWH	5.0	43.96
2	Bracket - Time Switch	22T338GR	0.8	8.08
3	Time Switch Mechanism #1	See table above.	1.5	113.37**
4	Plate - Wire Shield	24T5055-WWH	1.0	16.24
5	Time Switch Mechanism #2	See table above.	1.5	113.37**
6	Tripper - Time Switch (1) ON (1) OFF per pack	156T1978A	0.3	2.80
7	Breaker Base	124T2530A	1.5	32.74
8	Plate - Filler	24T5796-WWH	0.8	15.20
9	Plate - Dead Front	24TP5738	3.5	31.51
10	Plate - LV	24TP5971	1.0	16.08
11	Plate - Transformer	24TP5740	1.0	18.10
12	Transformer	See table above.	-	-
13	Terminal - Grounding 6 Pole	130T1238	0.5	13.52
14	Terminal - Grounding 10 Pole	PA116	0.5	15.04
15	Case - Enclosure	2TP3117A-WWH	11.0	85.90
16	Latch - Enclosure	PA117	0.3	12.72
17	Bracket - Enclosure (2) per pack	PA101	1.0	18.05

* Prices are subject to change without notice

** Price may vary depending on model selected