



Automation (Control Systems)



Automation (Control Systems) for Pools and Spas



IntelliTouch®

...advanced automation systems for pool and spa



Tablet Color Touch Screen

IntelliTouch® automation offers superior control systems from small to the most ambitious pool and spa designs including water features and spectacular lighting effects. IntelliTouch automation systems offer innovative technology and a wide range of wireless and wired control panels that are easy to program with simple menus to enable pool owners to create and change programs without complication. Users can choose the Wi-Fi enabled Tablet, the compact Personal Digital Assistant (PDA) or the MobileTouch® wireless (900MHz) control panel to complete their pool and spa automation system.

IntelliTouch offers advanced control technology to suite individual needs including:

- **ScreenLogic® User Interfaces** – Enables IntelliTouch users to control their pool and spa features using wireless color touch screen devices including PDA and Tablets. ScreenLogic systems now have advanced features such as remote monitoring and control over the internet and email alerts for specific events. Other wired interface options are also available to control pool and spa features via a desktop or laptop PC from within the home or on the road.
- **Salt Chlorine Feature** – Enables IntelliTouch users to control and monitor popular Salt Chlorine Generators including Pentair’s IntelliChlor® (see Sanitizers, page 200), Goldline, AutoPilot®, and AutoClear® from the IntelliTouch Indoor Control Panel or MobileTouch wireless control panel. Users do not have to adjust the salt chlorine generator at the equipment pad.
- **Support for IntelliFlo pumps** – IntelliFlo® is the intelligent swimming pool pump that is changing all the rules. Adaptable to any application up 230 volts and 160 gallons per minute, you simply program IntelliFlo’s speed to suit the application. IntelliFlo then dials in the perfect power factor. IntelliFlo constantly monitors water flow and electrical current, making sure that the filtration system is operating at peak efficiency. And that means energy savings never before possible - up to 90% over conventional pumps.
- **Advanced Color Lighting** – Enables users to experience a world of lighting animation when teamed up with Pentair, IntelliBrite™, SAm®, SAL®, and/or FIBERworks®. One of the most dramatic innovations is the *Swimming Colors* feature in which colors appear to swim through the water, pouring into one another. **Technical Note:** Lights must be connected to separate *Auxiliary Circuits* for *Swimming Colors* to function.



Personal Digital Assistant Color Touch Screen



Indoor Control Panel

IntelliTouch systems offer the flexibility to handle from 5 to 40 circuits that can be used to control any combination of pumps, lights, water features, etc. As an added benefit, user-configurable circuits (**Feature Circuits**) can also be used to control these combinations of features and more. Feature Circuits even add Macro possibilities, where any number of circuits can be combined on a single button. This gives the pool owner the ability to set up “themes” with custom names all with one press of a single button.



MobileTouch Wireless Control Panel

IntelliTouch users can also dim any high voltage incandescent light such as Pentair Amerlites and SpaBrites up to eight levels using the IntelliTouch Dimmer Module (P/N 520406). The dimmer module supports multiple lights from 100 watts up to 1,000 watts and installs in a standard relay location. Any number of dimmers (up to 10 maximum) may be used with a maximum combined load of 4,000W in a single Load Center.

Ordering an IntelliTouch® System



For a complete IntelliTouch® system, a 3-step ordering process is required: **1. Enclosure Kit**, **2. Personality Kit**, and **3. Interface Kit**, must be ordered.

IntelliTouch® Enclosure Kits (Step 1) (required with all Personality Kits)

Product	3 HP Relays Std. / Max.	Circuit-Breaker Base Capacity	Transformer Voltage	Size
INTELLITOUCH ENCLOSURE KITS				
520136	5 / 10	Qty.4 (230V)	115V / 230V	22.5" H x 17" W x 4.8" D
520137	5 / 10	None	115V / 230V	17" H x 17" W x 4.8" D

IntelliTouch Personality Kits (Step 2)

Product	Model Number	High Voltage Circuits	3 HP Relays Kit / Total*	Feature Circuits	Valve Actuators Std. / Opt. / w/Module
POOL/SPA – SHARED EQUIPMENT					
<i>Pump, Filter & Heater shared between Pool and Spa by two automated 3-Way Valves.</i>					
520505	i5	Filter + 4 Aux	0 / 5	10	2 / 4 / 7
520507	i7+3	Filter + 6 Aux	2 / 7	10	2 / 4 / 7
520509	i9+3	Filter + 8 Aux	4 / 9	10	2 / 4 / 7
POOL/SPA – DUAL EQUIPMENT					
<i>Two Pumps, Two Filters & Two Heaters for separate Pool and Spa.</i>					
520510	i10+3D	2 Filters + 8 Aux	5 / 10	10	0 / 2 / 5
POOL OR SPA – SINGLE BODY OF WATER					
<i>Pump, Filter & Heater for an individual Pool or Spa.</i>					
520506	i5S	Filter + 4 Aux	0 / 5	0	0 / 2 / 5

* Load Center or Power Center, purchased separately, includes five 3 HP relays

IntelliTouch Standard and ScreenLogic® Interface Kits (Step 3)

Wireless and wired user interface control devices

Product	Description
STANDARD INTERFACES	
520138	Indoor Control Panel – 3.75" monochrome backlit LCD. Wired to the Load or Power Center.
520139	MobileTouch® – Wireless control panel with transceiver. 3.75" monochrome backlit LCD.
SCREENLOGIC™ INTERFACES	
520500	iTC15 Kit – Includes a Protocol Interface adapter and wireless router that connects to existing Desktop or Laptop PC. This allows control of IntelliTouch pool/spa systems via PC (requires a Pentium4 PC with Ethernet connection and Windows XP operating system).
520501	iTC25 Kit – Includes Wireless Personal Digital Assistant (PDA) with color touch screen custom configured for IntelliTouch systems, wireless router, and a Protocol Interface adapter.
520502	iTC35 Kit – Includes in-wall 8.4" color touch screen with Ethernet (RJ45) connection a Protocol Interface adapter and wireless router. The Touch screen device is custom configured for IntelliTouch systems.
520503	iTC45 Kit – Includes wireless Tablet with 8.4" color touch screen, a Protocol Interface Adapter, and wireless router. The Tablet device is custom configured for IntelliTouch systems.
520639	ScreenLogic Wireless Connection Kit – Includes two radio transmitters that eliminate the need to run cable from the Load Center into the home where the protocol adapter and wireless router are located.



IntelliTouch® Enclosure Kit Options



Ordering an IntelliTouch System - Step 1:

Load Center (P/N 520136) – Includes built-in sub panel (125 AMPS) capable of holding up to eight 1 inch breakers. Also includes five 25 AMP 3 HP relays, 110V/240V transformer with secondary side circuit protection. Multiple knockouts for ½ inch to 1-inch conduit are supplied as well as a GFCI side knock out. The Load Center provides ample space for all high and low voltage wiring needs. Load Center dimensions are: 17” W x 24” H.



Load Center
(P/N 520136)

Power Center (P/N 520137) – Offers a smaller footprint (17” W x 17” H) than the Load Center. The Power Center does not include a circuit breaker base. Users should choose this enclosure if they already have existing circuit breakers/sub-panel for their equipment.



Power Center
(P/N 520137)

IntelliTouch® Personality Kit Options

Ordering an IntelliTouch System - Step 2:

There are six **Personality Kit** models available for various pool and spa combinations. Each Personality Kit provides complete pool and spa controls that are fully programmable. Every circuit has a countdown timer, ability to do one-time-use programs, salt generation interface for popular salt chlorinators, spectacular colored pool/spa lighting effects, along with solar control capabilities. In addition, there are various options available including light dimming, smart home interface, spa-side remote switches, valve actuators for water flow control, additional indoor wired or wireless user interface control panels, and even telephone remote control. Three types of Personality Kits are available:

Shared Equipment: Pool and spa combinations with shared filtration system – Pool owners can enjoy the convenience of motorized valves for water flow separation between pool and spa. There are three Personality Kit models to choose from: **i5 (P/N 520505)**, **i7+3 (P/N 520507)**, and **i9+3 (P/N 520509)**.

Dual Equipment: Pool and Spa Dual Sets of Equipment – The IntelliTouch® **i10+3D** system provides advanced automation for a pool and spa using two separate sets of equipment. The IntelliTouch Personality Kit controls ten pump and/or lighting circuits and two heaters. The Personality Kit model to choose is the **i10+3D (P/N 520510)**.

Single Equipment: Pool Only or Spa Only Applications – The IntelliTouch **i5S** and **i9+3S** provide advanced automation for a single body of water. There are two Personality Kit models to choose from: **i5S (P/N 520506)** and **i9+3S (P/N 520508)**.

Note: All IntelliTouch systems can be configured using wireless and/or wired user interfaces such as a PDA and/or wireless Tablet color touch screen device. IntelliTouch ScreenLogic® Kits are ordered separately and are described on the next page. For IntelliTouch ordering information, see page 35.



i5 Personality Kit
(for single body of water)



i9+3 Personality Kit
(shared equipment)

IntelliTouch® Interface Kits Options

Ordering an IntelliTouch System - Step 3:



Wireless and wired interfaces for pools and spas

One or more of the following Standard or ScreenLogic® Interface Kits can be used with IntelliTouch Personality Kits. For example, multiple PDAs, Tablets, or Indoor Control Panels can be mixed or matched throughout the home (see IntelliTouch ScreenLogic connection diagram, page 38). ScreenLogic systems now have advanced features such as remote monitoring and control over the internet and email alerts for specific events. The Interface options include:

IntelliTouch Standard Interface Options:

- **Indoor Control Panel (P/N 520138)** – 3.75” monochrome backlit LCD control panel. Connects to Personality board in Load and Power Center.
- **MobileTouch® (P/N 520139)** – 3.75” monochrome backlit LCD control panel with transceiver.



Indoor Control Panel



MobileTouch

IntelliTouch ScreenLogic Interface Options:

- **iTC15 Kit (P/N 520500)** – Includes a Protocol Interface Adapter and wireless router that connects to existing Desktop or Laptop PC. This allows control of IntelliTouch pool/spa systems via PC (requires a Pentium4 PC with Ethernet connection and Windows XP operating system).
- **iTC25 Kit (P/N 520501)** – Includes Wireless Personal Digital Assistant (PDA) with color touch screen custom configured for IntelliTouch systems, wireless router, and protocol interface adapter.
- **iTC35 Kit (P/N 520502)** – Includes in-wall 8.4” color touch screen with Ethernet (RJ45) connection and a Protocol Interface Adapter and wireless router. The Touch screen device is custom configured for IntelliTouch systems.
- **iTC45 Kit (P/N 520503)** – Includes wireless Tablet with 8.4” color touch screen, a Protocol Interface Adapter, and wireless router. The Tablet device is custom configured for IntelliTouch systems.
- **ScreenLogic Wireless Connection Kit (P/N 520639)** – Includes two radio transmitters that eliminate the need to run cable from the Load Center into the home where the protocol adapter and wireless router are located.
- **ScreenLogic Video and Lighting Protocol Adapter (P/N 520836)** – This advanced protocol adapter compliments the standard protocol adapter that ships with ScreenLogic Kits 520500, 520501, 520502, and 520503. This advanced protocol adapter adds Panasonic video camera support (up to 4) and X-10 and UPB lighting support.



PDA
Color Touch Screen



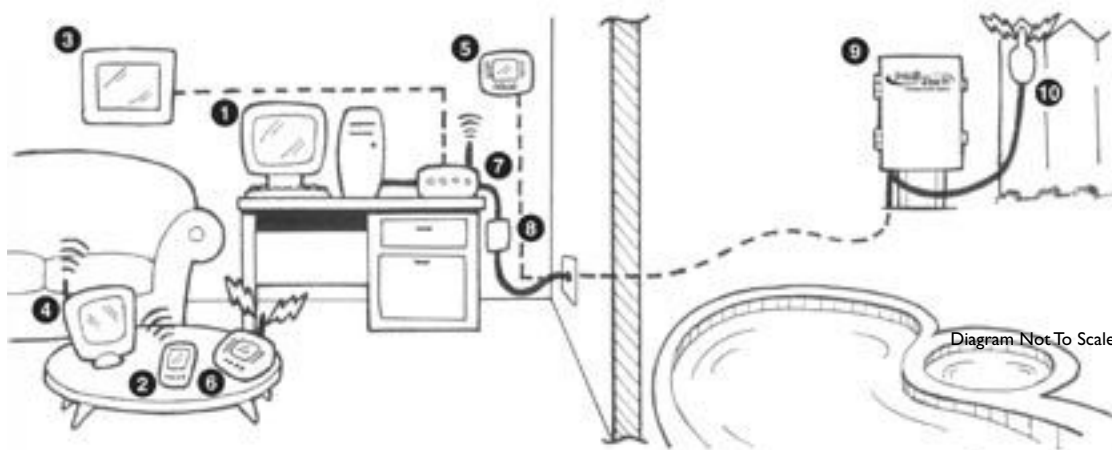
Color Touch Screen



Wireless Tablet 8.4”
Color Touch Screen

Note: The above ScreenLogic Kits require a 4-wire, 22 gauge wiring connection from the IntelliTouch Load Center to the protocol adapter within the home. The ScreenLogic Wireless Connection Kit (P/N 520639) can be used to eliminate the need to run this wire where impossible or impractical to do so.

Note: Call for availability and pricing on all IntelliTouch ScreenLogic models. In-wall and Tablet color touch screen size may vary. Specifications are subject to change.



Wire is not required with ScreenLogic Connection Kit (P/N 520639)

IntelliTouch® ScreenLogic® Connection Diagram

1. Existing home owner's PC or Laptop. Connects to a wireless router and the Protocol Interface Adapter for control of IntelliTouch pool/spa systems. PC/Laptop requires Windows XP and Pentium 4 with Ethernet/RJ45 connector installed.
2. Wireless PDA with color touch screen. Receives and transmits commands via wireless router and the Protocol Interface Adapter for control of IntelliTouch® pool/spa systems. PDA is custom configured for IntelliTouch systems.
3. In-wall color Touch Screen display with Ethernet (RJ45) connector. Connects to a wireless router and the Protocol Interface Adapter via Ethernet (RJ45) for control of IntelliTouch pool and spa systems. The Touch Screen device is custom configured for IntelliTouch systems.
4. Wireless Tablet with color touch screen. Receives and transmits commands via wireless router and the Protocol Interface Adapter for control of IntelliTouch pool/spa systems. The Tablet device is custom configured for IntelliTouch systems.
5. Indoor Control Panel. Connects to the Personality Board in the Load/Power Center for control of IntelliTouch pool/spa systems.
6. MobileTouch® wireless control panel. Receives and transmits commands via the Transceiver antenna located at the Load or Power Center.
7. Wireless router. Connects to the PC/Laptop via Ethernet connection to the Protocol Interface Adapter.
8. Protocol Interface Adapter. Connects to wireless router via Ethernet connection and to Personality board (Load/Power Center) via a four-wire cable.
9. Load Center or Power Center. The main control center. Includes the Outdoor Control Panel that controls the pump, heater, and light relays. Receives commands via Protocol Interface Adapter, and wireless and wired control panels connected to the Personality board.
10. MobileTouch Transceiver antenna connected to the Personality board. Sends and receives commands to and from the MobileTouch control panel.

IntelliTouch® Sales & Service Tools



Service Panel for IntelliTouch® (P/N 520396) – If access to the Indoor Control Panel is not available, this service panel can be used by service personnel to help setup, customize, or troubleshoot an IntelliTouch system from the control panel at the equipment pad. Includes an attached 6-foot cable for easy connection to the Personality board.



IntelliTouch Indoor Control Panel POP Display (P/N 520456) – A non-functional Indoor Control Panel. Make sure all of your dealers have plenty of these for their showrooms. Intended for display and product promotion purposes only.



IntelliTouch Laptop Trainer (P/N 520400) – Perfect for use in dealer showrooms or by sales personnel to demonstrate complete system functionality to prospective customers.



IntelliTouch Demo Unit (P/N 520352) – Perfect for use in dealer showrooms or by sales personnel to demonstrate IntelliTouch system functionality with Indoor Control Panel interface option to prospective customers. Fully functioning control panel.



Quick Reference Card (P/N 520461) – Two-sided laminated credit card size reference guide. Includes step-by-step instructions to set a House Address for Indoor and MobileTouch® control panels, iS10 Spa-Side remote, and Expansion Load or Power Center.





IntelliTouch® Accessories



i-Link Home Automation Adapter Interface for IntelliTouch® (P/N 520442)

Enables homeowners using Home Automation systems such as Creston®, AMX®, Vantage, Lutron and others to control IntelliTouch basic features via their Home Automation control interface. Call for other Home Automation system compatibility.



IntelliTouch Dimmer Module (P/N 520406)

Enables users to dim their Amerlites and SpaBrites up to eight levels (30% to 100%). Each dimmer module supports multiple lights from 100 watts up to 1,000 watts combined load using 120VAC (220VAC not supported). For example, a 500W and 100W Amerlite (total 600W) could be used with one dimmer module. Installs in a standard relay location. Any number of dimmers (up to 10 maximum) may be used with a maximum combined load of 4,000W. NOTE: Expansion Center Kit(s) may be required to house multiple dimmer modules (models i5x (P/N 520142) or i10x (P/N 520141)). The IntelliTouch Dimmer Module is only designed to be used with pool and spa lights and not backyard lighting systems.



QT4 QuickTouch® for IntelliTouch (P/N 520148)

Four-function wireless remote for pool and spa functions. Operated within 150 feet range of the Load or Power Center.



Dual Heater Kit (P/N 520403)

This kit is for use with IntelliTouch systems and enables homeowners to utilize a gas heater and heat pump. The IntelliTouch system determines which heat source is appropriate given the conditions. This kit disables any solar heating controls. The kit includes a heater relay and temperature sensor.



Expansion Kits – Models **i5X** and **i10X**, offer five or ten additional Auxiliary Circuits for systems i9+3, i9+3S and i10+3D. Each IntelliTouch Expansion Kit requires a Load Center (P/N 520136) or Power Center (P/N 520137). Up to three Expansion Kits and Load or Power Centers may be added to a system, for control of up to 38 Auxiliary Circuits (40 auxiliary circuits for i10+3D).



Outdoor Control Panel (installs in the Load or Power Center)



Load Center

Expansion Kits	High Voltage Circuits	3 HP Relays Kit / Total *	Feature Circuits	Valve Actuators Std. / Opt. / w/Module
EXPANSION KITS				
520142	i5X Expansion Kit	0 / 5	0	0 / 2 / 5
520141	i10X Expansion Kit	5 / 10	0	0 / 2 / 5

* Expansion Kit requires Load or Power Center to be purchased separately, which includes five 3HP relays.

IntelliTouch® Accessories (Cont'd)



MobileTouch® Wireless Remote Accessory – Allows any IntelliTouch® wired system to also have a wireless remote with all capabilities of the indoor control panel. With an average range of 300 feet, pool owners have system control anywhere around the home or yard. Installation is simple, and requires no high voltage wiring. Powered by a rechargeable lithium-ion battery. Includes an AC/DC adapter for recharging.



MobileTouch
Wireless Control Panel

Features

- Water resistant, wireless user interface control panel with high-resolution 3.75” monochrome backlit LCD. Rechargeable lithium-ion battery.
- Easy to use control buttons with customizing feature for naming circuits on LCD.
- Includes Transceiver module with antenna.

Product	Description
MOBILETOUCH WIRELESS REMOTE ACCESSORIES	
520139	MobileTouch wireless Accessory Kit includes control panel and Transceiver module
520340	Additional MobileTouch wireless control panel only

iS10 Ten Function Spa-Side Remote – Adds the ultimate in spa-side luxury, with temperature display, thermostatic temperature control, and up to ten control circuits. For use with IntelliTouch® control systems. Each model includes two bisque colored faceplates for surface mounting or recessed-mounting. For recessed mounting order mud box. Optional faceplate kits provide additional color choices in bisque, tan, gray, and black.

Product	Description
iS10 TEN-FUNCTION SPA-SIDE REMOTE ACCESSORIES	
520149	iS10 Ten-Function Spa-side Remote, Surface-mount and recessed-mount faceplates, Bisque color. 150 ft. cable
520355	Colored Faceplate Kit for Surface-mount. Includes 1 each. Bisque, Tan, Gray, Black with label set
520354	Colored Faceplate Kit for Recessed-mount. Includes 1 each. Bisque, Tan, Gray, Black with label set
520335	Mud box for recessing iS10 into deck or tile. Includes cover plate.

iS4 Four-Function Spa-side Remote – Provides control of any four functions, such as pool, spa, auxiliary circuits (AUX 1-8), Feature Circuits, Macros, Heater Enable and Heat Boost. Available in White, Black and Gray. Four cable lengths are available:

Part No.	Color	Part No.	Color	Part No.	Color	Part No.	Color
50 Ft. Cable		100 Ft. Cable		150 Ft. Cable		250 Ft. Cable	
520090	White	520092	White	520094	White	520098	White
520091	Grey	520093	Grey	520095	Grey	520099	Grey
520256	Black	520257	Black	520258	Black	520260	Black

Product	Description
ACCESSORIES FOR INTELLITOUCH SYSTEMS	
520199	1000 ft cable, four conductor, 22 AWG
520106	3HP Relay for IntelliTouch
520138	Indoor Control Panel for IntelliTouch® (White), additional
520498*	Panel Touch, Acc iTC35. Additional interface option.
520497*	PDA, Acc iTC25. Additional interface option.
AI101	Surge Suppressor for 115V transformer wiring
AI201	Surge Suppressor for 230V transformer wiring

Product	Description
ACCESSORIES FOR INTELLITOUCH SYSTEMS	
520499*	Tablet, Acc iTC45. Additional interface option.
6870002	Telephone remote control for any single circuit, usually Spa mode.
520272	Temperature Sensor
520198	Two-Speed 3HP Relay
263045	Valve Actuator
520285	Valve module for adding up to 3 valve actuators
520818	Expansion Com Port

Note: (*) Requires purchase of an IntelliTouch® ScreenLogic™ iTC Kit, (iTC15, iTC25 or iTC35, iTC45), see page 37.



EasyTouch® Control Systems

Pool/Spa Control Systems

The new EasyTouch® family offers a new level of control for homeowner's looking for an affordable, easy to use pool/spa control system. EasyTouch allows full control of all pool/spa features including advanced features such as colored lighting and IntelliChlor® chlorine generator support. Every EasyTouch system includes an easy to use control panel that is built into the outdoor enclosure. This control panel allows for full system setup, programmability, and everyday operation. In addition, there are several other available remote interface choices including an attractive indoor control panel, a full-featured wireless remote, a 4-button wireless remote, and 4-button spa side remote. The EasyTouch systems come in a variety of configurations: Pool only or Spa only, Pool/Spa with shared equipment, and also integrated with Pentair's unique IntelliChlor salt chlorine generator.

Featured Highlights

- All functions controlled with easy, one-button access from the self-contained load center or optional controllers
- No need to memorize operating sequences, open and close valves, or reset time clocks and thermostats
- Allows full programmability of every day pool and spa equipment operation for optimum efficiency and variable pool/spa usage patterns
- Built-in diagnostics include automatic verification of the display, microprocessor, switches, indicators, relay outputs, valve outputs, sensor inputs, and communication ports as well as a diagnostic screen that reports failures for troubleshooting and repair purposes
- Interfaces with the new IntelliChlor® automatic chlorine generator
- Optional controllers for added convenience:
 - Indoor control panel (for 4 or 8 circuit systems)
 - Wireless controller (for 4 or 8 circuit systems)
 - QuickTouch® 4-function wireless remote
 - Four-function spa-side remote



EasyTouch System

Catalog Ordering Information

Product	Model #	IntelliChlor™ System	High Voltage Circuits	3HP Relays Std/Total	Valve Actuators Std/Max
POOL OR SPA - SINGLE BODY OF WATER Pump, Filter & Heater for an individual Pool or Spa					
520591	EasyTouch 4P	Not included but compatible	Filter + 3	4 / 4	0 / 2
520592	EasyTouch 4PSC-IC20	Includes IC20 cell	Filter + 3	4 / 4	0 / 2
520593	EasyTouch 4PSC-IC40	Includes IC40 cell	Filter + 3	4 / 4	0 / 2
520703	Easy Touch 8P	Not included but compatible	Filter + 7	8 / 8	0 / 2
POOL OR SPA - SHARED EQUIPMENT Pump, Filter & Heater shared between Pool and Spa by two automated 3-way valves					
520538	EasyTouch 4	Not included but compatible	Filter + 3	4 / 4	2 / 4
520540	EasyTouch 8	Not included but compatible	Filter + 7	8 / 8	2 / 4
520542	EasyTouch 4SC-IC20	Includes IC20 cell	Filter + 3	4 / 4	2 / 4
520543	EasyTouch 4SC-IC40	Includes IC40 cell	Filter + 3	4 / 4	2 / 4
520544	EasyTouch 8SC-IC20	Includes IC20 cell	Filter + 7	8 / 8	2 / 4
520545	EasyTouch 8SC-IC40	Includes IC40 cell	Filter + 7	8 / 8	2 / 4
520704	EasyTouch 8PSC-IC20	Includes IC20 cell	Filter + 7	8 / 8	0 / 2
520705	EasyTouch 8PSC-IC40	Includes IC40 cell	Filter + 7	8 / 8	0 / 2

EasyTouch® Accessories

Pool/Spa Control Systems



Product	Description
ACCESSORIES FOR EASYTOUCH® SYSTEMS	
520199	1000 ft cable, four conductor, 22 AWG
520106	3HP Relay for IntelliTouch
520548	EasyTouch® ICP (Indoor Control Panel) for 4 circuit systems
520549	EasyTouch ICP (Indoor Control Panel) for 8 circuit systems
520546	EasyTouch Wireless Controller for 4 circuit system
520547	EasyTouch Wireless Controller for 8 circuit system
520588	IntelliChlor® Pass-through Cell for Winter or start-up
520594	IntelliChlor Diagnostic Wand
520670	IntelliChlor Acid Cleaning Kit
520595	IntelliChlor replacement unions (contains 2 o-rings, 2 couplers, 2 nuts)
520670	IntelliChlor acid washing kit (contains closed end union cap, o-ring, & coupling nut)
520734	IntelliChlor 15 foot extension power cord
520735	IntelliChlor Flow Switch replacement kit
520092	iS4 Spa-side Remote, White 100'
520148	QuickTouch® 4 Button Wireless Remote
AI101	Surge Suppressor for 115V transformer wiring
AI201	Surge Suppressor for 230V transformer wiring
520272	Temperature Sensor
520198	Two-Speed 3HP Relay
263045	Valve Actuator
520818	Expansion Com Port



520148 - QuickTouch Wireless Remote



520818 - Expansion Com Port



iS4 Remote Control



- 520548 - EasyTouch ICP for 4 circuit systems
- 520549 - EasyTouch ICP for 8 circuit systems
- 520546 - EasyTouch wireless for 4 circuit systems
- 520547 - EasyTouch wireless for 8 circuit systems



- 520554 - IntelliChlor IC20 Cell
 - 520555 - IntelliChlor IC40 Cell
- (For use with 520591, 520703, 520538, and 520540)

See page 353 for replacement parts.



SunTouch™ Control System



SunTouch Control System
Pool/Spa - (520820)



SunTouch Solar Control System
(520819)

SunTouch™ is the easy way to keep your pool and spa clean, comfortable, and ready to enjoy. With the touch of a few buttons, you can quickly program your pool and spa filtration and heating cycles to fit your schedule. And it's just as simple to change programs or switch to manual mode for those unplanned, spontaneous plunges. With SunTouch, your pump and heater automatically run whenever you want, for as long as you want so, your pool and spa are always warm and inviting.

In addition to controlling your pump and heater, the standard SunTouch package has the ability to schedule operation of additional functions, such as your lights or automatic cleaner. You can also add a third valve actuator to automate a solar heating system or water feature.

Featured Highlights

- One touch function - no complicated routine to memorize
- Ability to program pool and spa and two additional features. All circuits in the system can control four operating schedules (maximum six total schedules per system)
- Compatible with gas or electric heaters, heat pumps, and solar systems
- Temperature control can be set in one degree increments
- Supports IntelliFlo® 4x160 and IntelliChlor®

Catalog Ordering Information

Product	Description
SUNTOUCH CONTROL SYSTEMS	
520820	SunTouch Control System (pool/spa) - Includes 2 actuators and 2 temp sensors (20' water, 40" air)
520819	SunTouch Solar Control System - Includes 1 actuator, 1 solar valve, and 2 temp sensors (20' water, 40" solar)
520859	SunTouch Single Body Control System - Includes temp sensors (80' water, 40" solar)
ACCESSORIES FOR SUNTOUCH SOLAR CONTROL SYSTEMS	
520148	QuickTouch RF Kit
520106	Omron Relay
520272	Temp Sensor
520198	2 Speed Pump Relay
ES03	Emergency Shut-Off Switch w/Audible Alarm
REPLACEMENT PARTS	
520814Z	Kit Door Enclosure Small
LXLATCH	Latch LX Enclosure
520272	Kit Temp Sensor 20 ft.
520645Z	Kit PCB Assembly SunTouch
520129	QuickTouch 4-Function Remote Replacement
520841Z	Kit SunTouch Xfrmr
520241	QuickTouch Antenna Replacement
520419	Kit PCB Assembly QuickTouch



Valve Actuator

Valve Control Systems



Featured Highlights

CVA24 Valve Actuator

- Prevents dead-heading of pumps
- Corrosion-proof enclosure
- Includes 15 ft. cable
- Service switch (for flow direction)
- ETL recognized
- UL listed for use with IntelliTouch®
- Operates Compool, Ortega or Jandy Valves
- Compatible with all 24VAC Control Systems



Valve Actuator

Designed for use with 2-port and 3-port valves. Features maximum torque, 24VAC bi-directional motor.

Catalog Ordering Information

Product	Model	Voltage	Cable	Rotation	Compatibility	Motor
VALVE ACTUATORS						
263043	CVA24L	24 VAC	3-wire 15 ft.	90 deg.	2-port Compool/Ortega/Jandy Valves	Bi-directional
263044	CVA24Y	24 VAC	3-wire 15 ft.	120 deg.	3-port Compool PTV2Y Valve	Bi-directional
263045	CVA24T	24 VAC	3-wire 15 ft.	180 deg.	3-port Compool/Ortega/Jandy Valves	Bi-directional



LX80 & LX820 Systems



Commercial Pool/Spa Control Systems



LX802

Designed for a commercial pool and spa application. Provides Remote Spa Jets switch (suitable for outdoor locations) with electronic countdown timer (15/30 minutes).

Featured Highlights

LX802 Commercial Pool/Spa Control System

- Emergency Shut-off Switch (disables all pumps)
- Audio Alarm
- Power Center available (with or without circuit breaker sub-panel) at the equipment site, features: mechanical time clocks for the Pool and Spa Filter Pumps, power relays (3) for Pool and Spa Filter Pumps and Spa jet Pump, electronic cool-down cycle for pool and spa heaters and equipment service switches

LX8202 Emergency Shut-off System

- Emergency Shut-off Switch
- Audio Alarm
- Power Center at the equipment site with equipment status lights and power relays (2) for Spa Filter Pump and Jet Booster Pump

Catalog Ordering Information

Product	Circuits	Power Relays Std/Max	Circuit Breaker Capacity	Compatible Heaters	Voltage	Relay Amp Inductive
LX80 & LX820 COMMERCIAL POOL/SPA CONTROL SYSTEMS						
LX802	Pool Filter, Spa Filter, Jet1, Jet2	3 / 8	N/A	Gas/Elec/Solar/Heat Pump	115V/230V	20
LX802L	Pool Filter, Spa Filter, Jet1, Jet2	3 / 8	4qty. @ 230V	Gas/Elec/Solar/Heat Pump	115V/230V	20
LX8202	Spa Filter, Jet1, Jet2	2 / 3	N/A	N/A	115V/230V	20

Product	Description
ACCESSORIES FOR LX80 COMMERCIAL POOL/SPA CONTROL SYSTEM	
263045	CVA24 Solar Valve Actuator
MODSOL	Temperature Control Module (for pool or spa). Required for solar control
RCS1	Additional Spa Jets Switch (for multiple jet pumps)
RLYLX	Additional Power Relay (for auxiliary equipment)
RLYLX3HP	Additional 25 Amp, 3 HP Power Relay (for auxiliary equipment)
RYALX	Harness to operate 2 Power Relays from one control circuit
TS5L	Solar Temperature Sensor
ACCESSORIES FOR LX8202 COMMERCIAL POOL/SPA CONTROL SYSTEM	
RLYSC	Additional Power Relay (for second jet pump or filter pump)
RLYSC3HP	Additional 25 Amp, 3 HP Power Relay (for auxiliary equipment)

LX8202



Designed for retrofitting commercial spas where an emergency shut-off switch is required.



LX802L