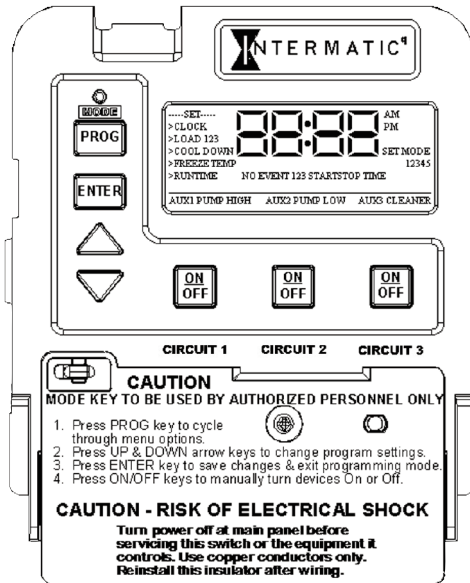


INSTRUCTION MANUAL

INTERMATIC MULTIPURPOSE CONTROL

MECHANISM MODEL: P1353ME



ATTENTION

READ CAREFULLY BEFORE ATTEMPTING TO INSTALL YOUR INTERMATIC MULTIFUNCTION CONTROL SWITCH. FAILURE TO COMPLY WITH INSTRUCTIONS COULD RESULT IN PERSONAL INJURY AND/OR PROPERTY DAMAGE! RETAIN FOR FUTURE REFERENCE.

1-Year Limited Hardware Warranty

If within the warranty period specified, this product fails due to a defect in material or workmanship, Intermatic Incorporated will repair or replace, at its sole option, the unit free of charge. This warranty applies only to the original purchaser and is not transferable. This warranty does not apply to: (a) damage caused by accident, abuse, mishandling, dropping, acts of God, or any negligent use; (b) units which have been subject to unauthorized repair, opened, taken apart, or otherwise modified; (c) units not used in accordance with instructions; (d) damages exceeding the cost of the product. Some states do not allow a limitation of damages, so the foregoing limitation may not apply to you. This warranty gives you specific legal rights and you may have other rights that vary from state to state. INTERMATIC INCORPORATED WILL NOT BE LIABLE FOR INCIDENTAL OR CONSEQUENTIAL DAMAGES. THIS WARRANTY IS IN LIEU OF ALL OTHER EXPRESS OR IMPLIED WARRANTIES. ALL IMPLIED WARRANTIES, INCLUDING THE WARRANTY OF MERCHANTABILITY AND THE WARRANTY OF FITNESS FOR A PARTICULAR PURPOSE, ARE HEREBY MODIFIED TO EXIST ONLY AS CONTAINED IN THIS LIMITED WARRANTY, AND SHALL BE OF THE SAME DURATION AS THE WARRANTY PERIOD STATED ABOVE. This warranty service is available by either (a) returning the product to the dealer from whom the unit was purchased, or (b) mailing postage prepaid to the nearest authorized service center listed. Please be sure to wrap the product securely when mailing to avoid shipping damage. This warranty is made by: Intermatic Incorporated – After Sales Service, 7777 Winn Road, Spring Grove, Illinois 60081-9698 phone: (815) 675-7000

AFTER SALES SERVICE – INTERMATIC INCORPORATED

<http://www.intermatic.com>

7777 Winn Road, Spring Grove, Illinois 60081-9698

158PE11693

Table of Contents

	Page
Table Of Contents	2
Introduction	3
Warning and General Safety Information	4
Installation Tips & Useful Information	5
Step #1 Identify Connections & Voltage Selection ..	6,7
Step #2 Installing The Shutter Bushing	8
Step #3 Routing & Connecting Low Voltage Accessories	9
Step #4 Snap In The Multipurpose Control	10
Step #5 Installing Corrugated Tubing	11,12
Mode Table	13
An Overview of the Multipurpose Control Panel	14,15
Step #6 Ratings, Wiring Schematics and Mode Selection	16 – 22
Rating for All Modes	16
Mode 1 (Aux1, Aux2, Aux3)	17
Mode 2 (Pump High, Pump Low, Aux3)	18
Mode 3 (Filter Pump, Aux2, Clear Pump)	19
Mode 4 (Pump High, Pump Low, Cleaner Pump)	20
Mode 5 (Pump, Aux3)	21
Setting the Mode	22
Step#7 Setting The Time	23
Step#8 Setting The ON/OFF Times	24,27
Step#9 Setting The Firemen Switch Time	28
Step#10 Setting The Freeze Temperature	29
Runtime Definitions	30 – 32
Firemen Switch Runtime Display	30
Freeze Control Runtime Display	31
Cleaner Pump Runtime Display	32
Special Features	33 – 36
Setting the Countdown Timer	33
Clearing all ON/OFF Events	34
Viewing Revision Level	35
Warranty	36

INTRODUCTION

The Intermatic Multipurpose 24-Hour Control is an easy to program three-circuit mechanism capable of automatically switching loads according to a preset daily schedule and providing control over a variety of different applications. This control is designed to switch resistive loads up to 17 amps, and can handle single phase motor loads up to 17 Full Load Amps (FLA) for each individual circuit. Its unique preprogrammed (MODE) selections allow you to customize your control from the simplest of applications such as lighting, heating, or air conditioning, to the more sophisticated pool or spa pump and light applications. Its extended features list such as the freeze control sensor or remote control allows you to add on those features at anytime. Designed as a mechanism, the Intermatic multipurpose control can be installed in any existing Intermatic panel or rain tight enclosure in the industry today. We are confident you will find this control to perform to your high expectations, and continue to watch for new innovations from Intermatic Inc.

IMPORTANT NOTE

This Owners Manual is designed to demonstrate the installation and operating procedure for the new Multipurpose Control into any Intermatic panel. If your Intermatic panel is designed with the new low voltage raceway, the corrugated tubing included with this control is not required to be installed. Simply use the raceway in place of the tubing for all low voltage accessories.

WARNINGS AND GENERAL SAFETY INFORMATION

WARNING: Disconnect all power before installing or servicing this control or its connected loads.

1. Follow all local electrical and safety codes, National Electric Code (NEC), as well as Occupational Safety and Health Act (OSHA).
2. If the power disconnect point is out of sight, lock it in the "OFF" position and tag it to prevent unexpected application of power.
3. The outdoor enclosure, in which the control is installed, must be grounded.
4. Do not exceed the maximum current carrying capacity of this control.
5. Always replace the plastic insulator covering the terminals before turning power "ON".
6. Strip the line and load wires by removing 1/2 inch of insulation. **DO NOT USE ALUMINUM WIRE.** Insert the wire ends under the proper terminal plates and tighten the screws firmly. Use AWG #10 through #18.
7. **DO NOT TOUCH** the circuit board components since static discharge could damage these components.

INSTALLATION TIPS & USEFUL INFORMATION

1. It's important to review, and install, all the possible low voltage accessories, (i.e. Firemen Switch, Remote Control, Freeze Probe), prior to installing the Multi-purpose Control into an Intermatic control center. Refer to pages 6 and 7 for further accessory details.
2. Each section of this installation manual is designed to be in the proper order of installation. It was designed this way to make your installation as easy as possible. Please follow each section carefully. Only skip sections that do not pertain to your particular installation.
3. It is important to set the Source Voltage Selector Jumper to the proper 120 VAC or 240 VAC position. Failure to set switch in proper position may blow F1 fuse and/or cause damage to circuit board voiding the manufacturer's warranty. Please refer to pages 6 and 7 for jumper information.
4. The "ON/OFF" keys are provided for service operations and for circumstances where instantaneous response is required. If the intent of this control is to turn equipment on and off everyday at the same time, programming individual events for each circuit will ensure these functions take place.
5. In the case of a power outage, all programmed events and parameters will stay in memory for 40 years. The time of day will be maintained for a maximum of 8 hours. If the power outage exceeds the 8-hour time limit, the clock will reset the time to 12 AM, and continue to implement the programmed events based on the new time of day. The new time will blink until changed.

STEP #1 IDENTIFY LOW VOLTAGE ACCESSORY CONNECTIONS AND SET PROPER VOLTAGE SELECTION

Freeze Probe Connection – This connector is where you would connect the Intermatic Freeze Sensor Part Number 178PA28A (optional). It needs to be installed in order for the freeze protection circuit and programming to work. Power needs to be disconnected when connecting the freeze sensor. Only an Intermatic sensor will work with this controller. Refer to Page 29 for programming information.

Heater Firemen Switch Connection – This connector is where you would connect the two firemen switch wires that connect to the Pool/Spa heater. The installer supplies the wires and connectors. The connectors should be female spade connectors crimped to insulated type wire. This connection is a SPST contact, and simply switches the supplied heater voltage. It does not supply voltage to the heater thermostat. Refer to Page 28 for programming information.

Remote Control Connection – This connector is where you would connect the Intermatic Remote Control Part Number 133PE1484A (optional). This control allows you to remotely turn On or Off all three available circuits. It also has status lights that indicate when a load is On, Off or delayed.

Source Voltage Selector Jumper
This jumper needs to be set to the proper input voltage for the clock circuitry. The factory default position for this jumper is the 240 Volt position.



If the input voltage for the clock is 120 Volts, this jumper needs to be set to the 120 Volt position.



WARNING

If voltage selector is in wrong position, the F1 fuse will blow and you may cause damage to circuit board voiding the manufactures warranty.

CUT WIRES HERE AND USE WIRE NUTS FOR CONNECTING FIREMEN SWITCH WIRES FROM HEATER

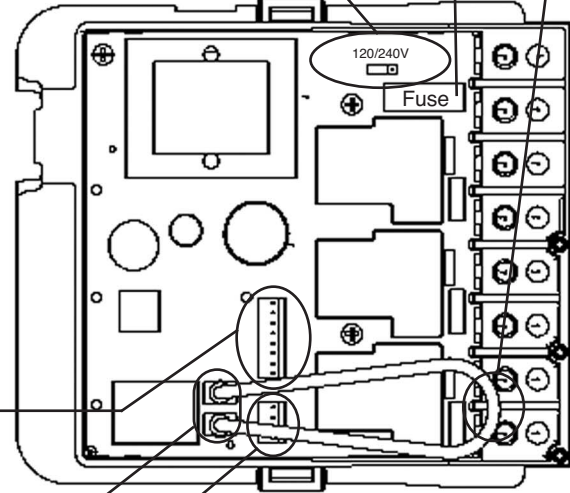


Figure #1

STEP #2

INSTALLING THE SHUTTER BUSHING

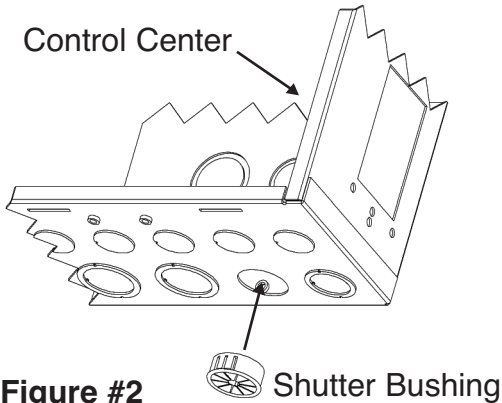


Figure #2

Installation Procedure

IMPORTANT NOTE

The shutter bushing needs to be installed if you intend to connect the Firemen Switch and/or Freeze Sensor accessories. If installing the Remote Control accessory a separate conduit may be required. The bushing would not be used for the Remote Control accessory.

1. Find any available 3/4" knockout.
2. Remove the knockout, and install the shutter bushing.

STEP #3

ROUTE ACCESSORY WIRES AND CONNECTORS INTO ENCLOSURE AND CONNECT TO THEIR PROPER LOCATIONS

Installation Procedure

1. Push the Firemen Switch wires and/or the Freeze Sensor Cable through the installed Shutter Bushing and into the control center. Connect these accessories to the back of the multipurpose control mechanism (See Figure #1 for connector locations).
2. If you are installing a Remote Control Unit, pull the Remote Control Cord from the Conduit and connect to the back of the control mechanism.

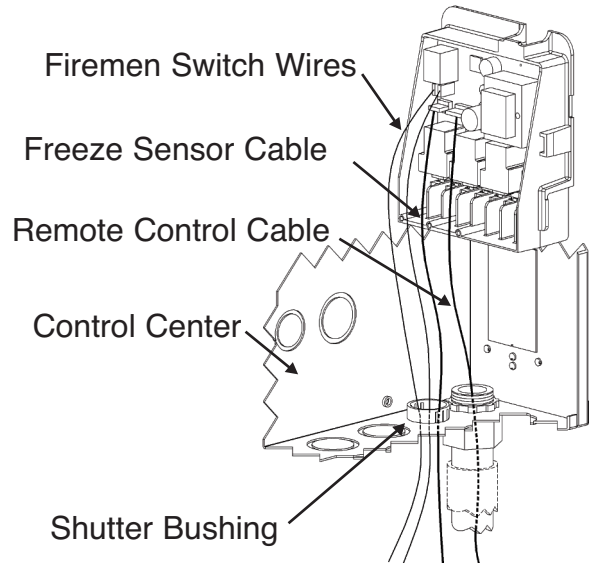


Figure #3

STEP #4

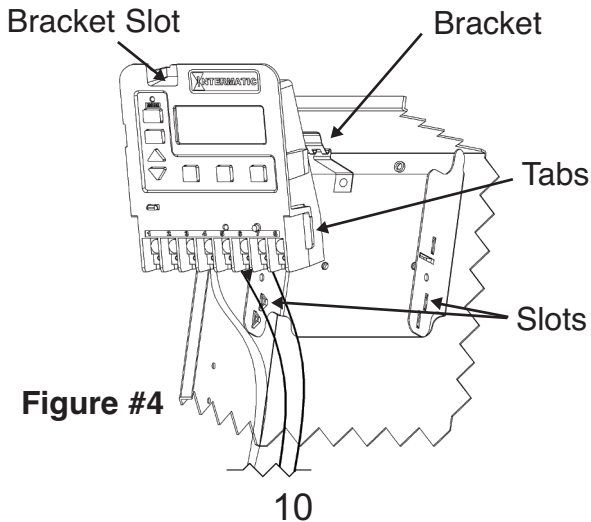
SNAP THE MULTIPURPOSE CONTROL INTO THE INTERMATIC PANEL

IMPORTANT NOTE

Since you have easy access to the back of the Multipurpose Control, make sure you properly set the source voltage selector jumper to the voltage (i.e. 120V or 240V), you intend to use for powering the Multipurpose Control. This jumper is located on the back of the control (See Figure #1 for location and setting).

Installation Procedure

1. Rotate the Multipurpose Control mechanism until the **Tabs** line up with the **Slots**. Slide the bottom half into the **Slots**, and push the top half into the **Bracket** until the mechanism snaps into the **Bracket Slot**.

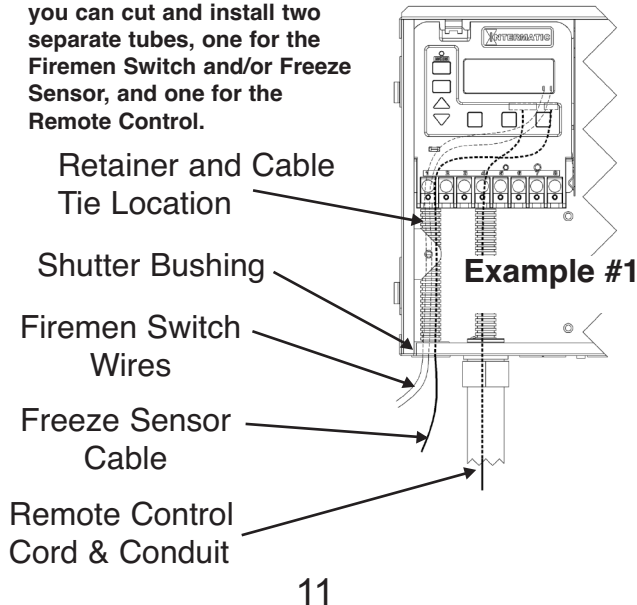


STEP #5

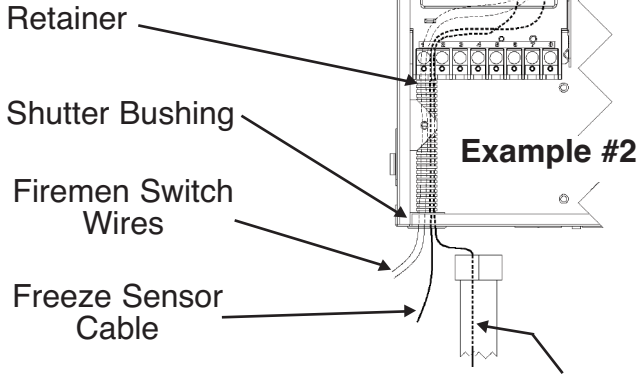
CUT & INSTALL TUBING OVER THE LOW VOLTAGE ACCESSORY WIRES AND/OR CORDS

1. The installation of the corrugated tubing kit (part of mechanism), Part Number 156PA12927A is necessary in order to create a double barrier of insulation between the low voltage accessory wires and high voltage line and load wires.
2. Depending on your particular Intermatic Control Center and low voltage accessories to be installed, refer to the following three examples for installation tips and useful information.
3. Secure the tubing using the cable ties and self-adhesive retainers supplied with the tubing kit.

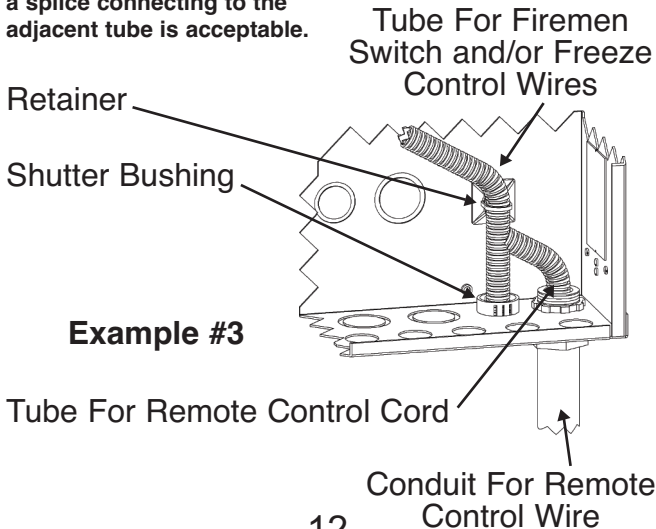
1. If enough tubing exists, you can cut and install two separate tubes, one for the Firemen Switch and/or Freeze Sensor, and one for the Remote Control.



2. If the conduit for the Remote Control Cord isn't attached to the control center, or if the Remote Control is not installed, only one corrugated tube is necessary.



3. If there is not enough tubing left to run two separate tubes, a splice connecting to the adjacent tube is acceptable.



IMPORTANT NOTE

You should have now completed installing the Intermatic Multipurpose Control and available accessories. Prior to wiring the equipment to the control, you should read and understand Step #6, which clearly defines the individual circuit ratings, available mode settings and their relative wiring diagrams. Below is a quick reference Mode Table. This will help you to quickly identify each possible circuit output. Refer to Step #6 for a more complete definition.

MODE TABLE

MODE SETTING	CIRCUIT #1	CIRCUIT #2	CIRCUIT#3
CHOOSE MODE 1 TO CONTROL ANY THREE INDEPENDENT CIRCUIT			
1	AUX (ANY DEVICE)	AUX (ANY DEVICE)	AUX (ANY DEVICE)
CHOOSE MODE 2 TO CONTROL A TWO SPEED PUMP AND ONE INDEPENDENT CIRCUIT			
2	TWO SPEED FILTER PUMP		AUX (ANY DEVICE)
	HIGH SPEED	LOW SPEED	
CHOOSE MODE 3 TO CONTROL A SINGLE SPEED PUMP WITH CLEANER PUMP AND ONE INDEPENDENT CIRCUIT			
3	SINGLE SPEED FILTER PUMP	AUX (ANY DEVICE)	AUX (ANY DEVICE)
CHOOSE MODE 4 TO CONTROL A TWO SPEED PUMP WITH A CLEANER PUMP			
4	TWO SPEED FILTER PUMP		CLEANER PUMP
	HIGH SPEED	LOW SPEED	
CHOOSE MODE 5 TO CONTROL TWO INDEPENDENT CIRCUITS WHERE ONE CIRCUIT REQUIRES BOTH LEGS TO BE DISCONNECTED?			
5	AUX (ANY DEVICE)		AUX (ANY DEVICE)
	LEG ONE (L1 or N)	LEG TWO (L2 or L1)	

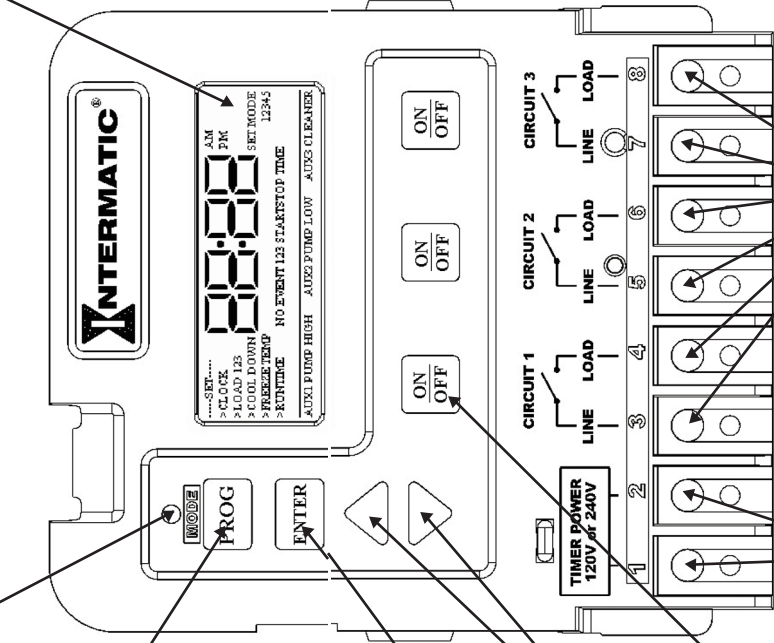
AN OVERVIEW OF THE MULTIPURPOSE CONTROL PANEL

14

MODE BUTTON
With a small tool, press and hold this button down for 5 seconds. Using the Up and Down arrow keys, you can select the appropriate preprogrammed mode that matches your particular pool or spa equipment pad configuration. Hit the ENTER key when finished.

DISPLAY
Indicates time of day and programming settings during programming mode.

PROGRAM BUTTON
This button is used to enter programming mode and access different programming features



ENTER BUTTON
This button is used to save programming changes to memory and exit programming mode.

ARROW BUTTONS
These buttons are used to increase or decrease programming parameters when in programming mode.

ON/OFF BUTTONS
Turns on and off circuit functions.

Figure #5

TIMER POWER
These two terminals are where you wire 120V or 240V to power the multipurpose control. Be sure the jumper on the back, matches the source voltage. See Pg. 6&7

CIRCUIT 1, 2, & 3
These six terminals are where you wire your equipment source voltage and equipment load lines. You can have different source voltages for each circuit, depending on your equipment requirements.

STEP #6

MULTIPURPOSE CONTROL RATINGS, WIRING AND SETTING THE MODE

IMPORTANT NOTE

There are five modes to choose from depending on your pool or spa equipment pad configuration. Each mode has specific programming, timing, and lockout features that are designed to work with specific types of pool or spa equipment. Mode setting is generally done only once and usually during the initial installation. It is purposely difficult to enter the mode-changing program and should only be done by a Qualified Installer. Be sure you fully understand each mode definitions and installation, prior to selecting the proper mode.

Control Ratings and Individual Circuit Ratings

CLOCK SOURCE VOLTAGE: 120/240V AC, 50/60 Hz.
POWER CONSUMPTION: 6W Max.
CONTACT CONFIGURATION: SPST – each circuit

CONTACT RATINGS – EACH CIRCUIT, ALL MODES:

- 17A Resistive, 120/240V AC
- 17 FLA, 80 LRA 120/240V AC
- 5A Tungsten, 120/240V AC
- 5A Ballast, 120/240V AC

EVENTS PER CIRCUIT: 3 On/Off Events Per Circuit

MEMORY RETENTION:

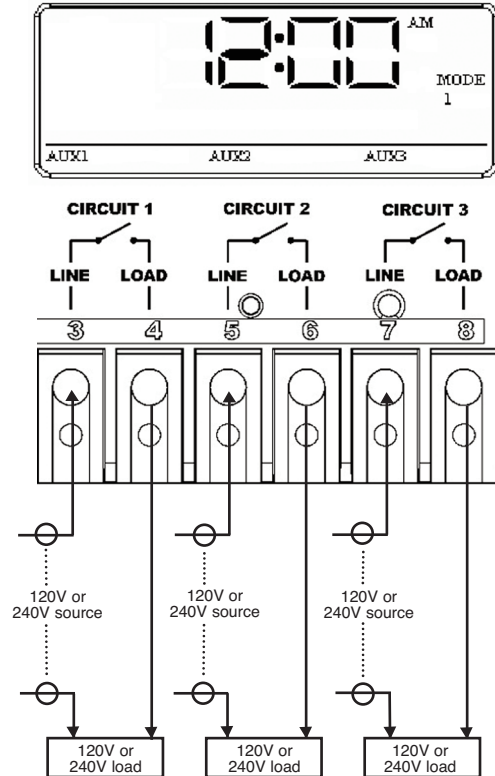
- 40 Year retention for all programmed settings
- 8-hour time retention

CLOCK CIRCUIT PROTECTION:

- Fast acting type 5x20, 125 mA Fuse

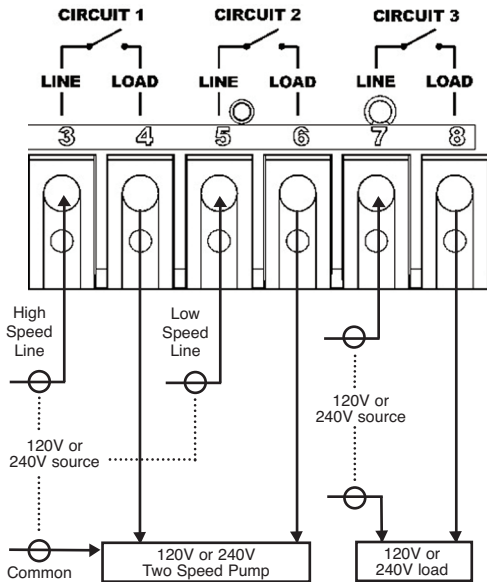
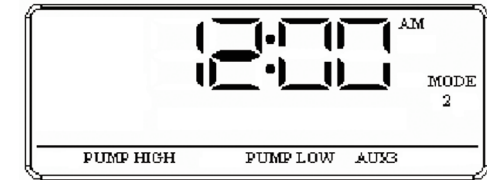
Defining & Wiring Each Mode

Mode 1 – (Aux1, Aux2, Aux3) Each of the three single pole circuits are defined generically, and can control any load within each of its individual circuit ratings. All three circuits act independent of each other.

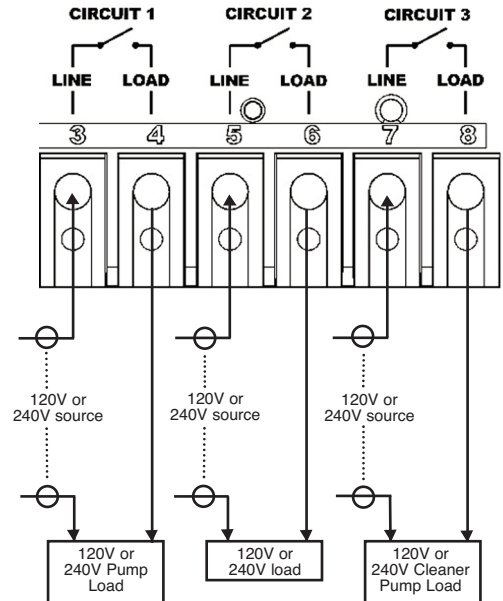
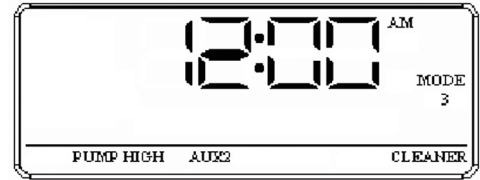


Mode 2 – (Pump High, Pump Low, Aux3) Circuit one and two are dedicated single pole outputs for a two-speed pump load. Circuits one and two will never be ON at the same time, consistent with a two-speed pump application. Circuit three is single pole circuit for a generic load, and independent of circuits one and two.

Mode 3 – (Pump, Aux2, Cleaner Pump) Circuit one and three are dedicated single pole outputs for a single speed pump working with a pressure side cleaner pump. Circuit three will never come on unless circuit one is on for at least one minute, consistent with a pressure side cleaner pump. Circuit two is a single pole circuit for a generic load, independent of circuits one and three.



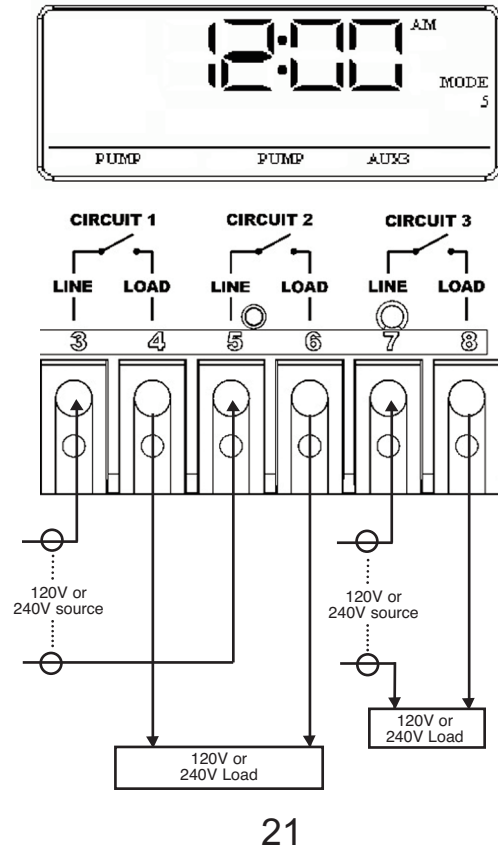
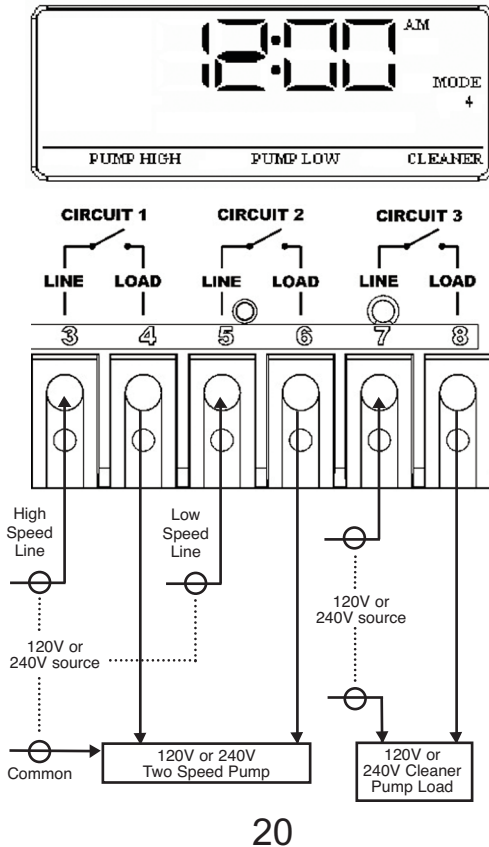
18



19

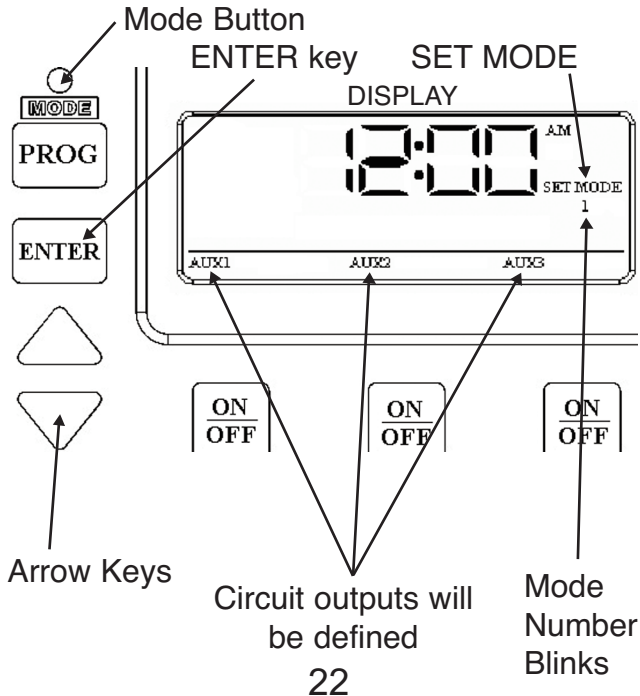
Mode 4 – (Pump High, Pump Low, Cleaner Pump)
 Circuit one and two are dedicated single pole outputs for a two-speed pump load. Circuits one and two will never be ON at the same time, consistent with a two-speed pump application. Circuit three is also a dedicated single pole output for a pressure side cleaner pump. Circuit three will never come on unless circuit one is on for at least one minute, consistent with a pressure side cleaner pump.

Mode 5 – (Pump, Pump, Aux3) Circuit one and two are now coupled together making up one circuit capable of switch both poles of a power source. The On/Off button for circuit one now controls both circuit one and two simultaneously. The On/Off button for circuit two is disabled. Circuit three remains a single pole circuit for a generic load, and is independent of circuits one and two.



Setting The Mode

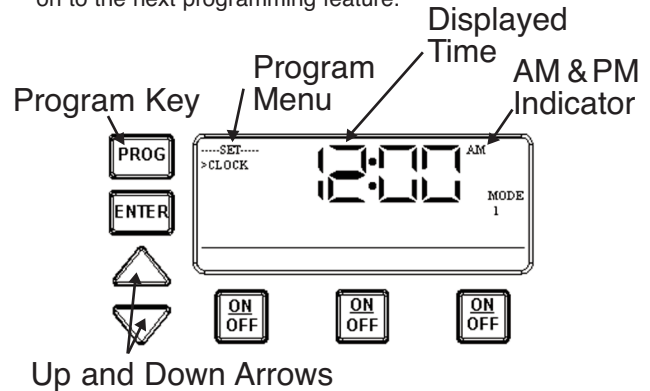
1. With a small pointed tool, (i.e. pen, pencil, screw-driver, etc...) Press and hold the **Mode Button** (Approximately 5 seconds) until the **display** shows **SET MODE** and the **Mode Number** blinks.
2. Use the **Up and Down arrow keys** to cycle through all five available modes. Each **circuit output will be defined** as you cycle through the available modes.
3. Once the desired mode number is displayed, press and release the **ENTER key**. This saves it to memory and exits the set mode programming.



STEP #7

Setting The Time

1. Press and release the **program key**. The **displayed time** will start to blink, and the **program menu** will display Set Clock.
2. Use the **Up and Down arrows** to change the time. Take note of the **AM and PM indicator** when setting time.
3. When desired time is indicated, either press and release the Enter key to save and exit programming, or press and release the program key to save and go on to the next programming feature.



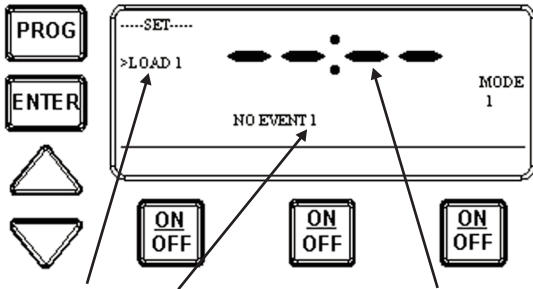
IMPORTANT NOTE

When in programming mode, if none of the available keys are pushed within 60 seconds, the multi-purpose control will save all settings and return back to normal operating mode.

STEP #8

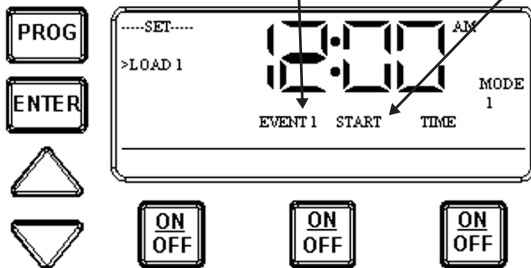
Setting On/Off Times for Each Circuit

1. If you pressed and released the program key from the previous procedure, you should see the following display, if not, press and release the program key **twice** to get to the following display. The display is defined as:

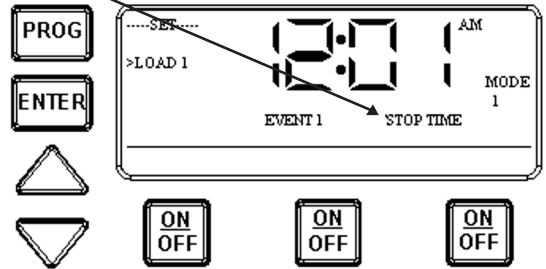


Circuit #1's first event has not been defined. You have the ability to program up to three separate events per load or circuit. An event is defined as a complete On and Off cycle.

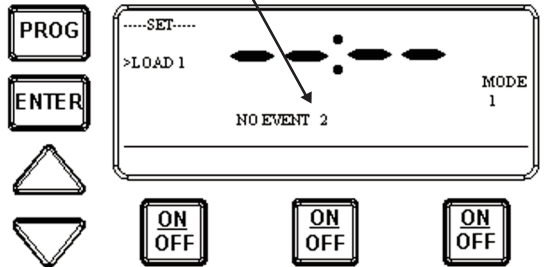
2. Use the Up and Down arrow keys to define the **Start time** for circuit #1's 1st event.



3. Once you are satisfied with the start time, press and release the Enter Key. You have now saved the start time, and the display will prompt you for the desired **Stop time** for circuit #1's 1st event.



4. Use the Up and Down arrows keys to define the stop time for circuit #1's 1st event. Press and release the Enter key when complete. The program will now advance to the **second event** for circuit #1.



5. The display indicates, no 2nd event for circuit #1 has been defined. Follow the previous tasks 2 thru 4 to set a second event for circuit #1.

NOTE

The ENTER key can be used to review all the events for each circuit. The program key will advance you through each circuit and onto the next programming feature.

IMPORTANT NOTE CONCERNING SETTING THE ON/OFF TIMES FOR EACH MODE

1. The “ON/OFF” keys are provided for service operations, and for circumstances where instantaneous response is required. If the intent is to turn equipment on and off everyday at the same time, programming individual events will ensure these functions take place.

2. All circuits will respond to a programmed off time. Therefore, when a circuit is turned on with the “ON/OFF” key, it automatically turns itself off at the end of the next programmed event.

3. If there are no events programmed, the circuit stays on until the “ON/OFF” key is pressed again.

4. If the “ON/OFF” key is pressed while the corresponding circuit is on, it turns the circuit off and supersedes any program in progress. The priority is always given to the last manual operation.

MODE 1 – (Aux1, Aux2, Aux3) All three of the available circuits act independently, and up to three individual on/off times can be set for each circuit independently.

MODE 2 – (Pump High, Pump Low, Aux 3) In this mode circuits 1 & 2 are connect to a two speed pump, and Aux 3 is connected independent of circuits 1 & 2. In the event, you program high and low speed to be on at the same time, or the independent ON times overlap, high speed will always take precedence.

Example: Low speed is programmed to come ON at noon and run until 6 PM. High speed is programmed to come on at 2 PM and turn off at 4 PM. In this case the pump will come ON at noon in low speed, go to high speed at 2 PM, and back to low speed at 4 PM, and shut off at 6 PM.

All manual ON operations for circuits 1 & 2 override all programmed ON times. Therefore, any desired low and high-speed run combinations need to be programmed as separate events and not controlled by combining the manual ON/OFF key with a scheduled event. The last speed started manually has priority over all prior automatic and manual operations.

Example: You would like to run the pump in high speed for 6 hours and low speed for the remainder of the time. Program a 6-hour event for high speed, and an 18-hour event for low speed. Do not turn the low speed on manually, and program a 6-hour event for high speed. The high speed will not occur.

MODE 3 – (Filter Pump, Aux2, Cleaner Pump) Since the cleaner pump cannot turn on unless the filter pump has been on for at least 30 seconds, anytime an ON/OFF time is programmed for the cleaner pump the filter pump will come on first and 30 seconds later the cleaner pump will turn on. Both the cleaner and filter pump will turn off according to the programmed off time. When programming an event for the cleaner pump, it is not necessary to program a separate event for the filter pump, as it will automatically turn on when the cleaner pump turns on at its next scheduled on time.

MODE 4 – (Pump High, Pump Low, Cleaner Pump) This mode is a combination of modes 2 and 3; therefore refer above to modes 2 & 3 for programming specifics. If the cleaner pump is programmed to come ON, the control will turn ON the filter pump to high speed 30 seconds prior to turning the cleaner pump ON, even if the filter pump is currently on in low speed.

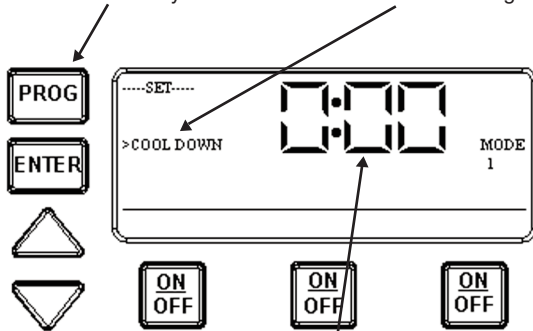
MODE 5 – (Aux1, Aux3) Both of the available circuits act independently similar to mode 1, therefore you can set up to three individual on/off times for each circuit and they will act independently.

STEP #9 Setting The Firemen Switch Time

NOTE

The cool down time is a time defined by the programmer. It's used in conjunction with a pool heater, (See Fig. #1 for heater hookup), and it's defined as the additional time the pump will run over and beyond the desired pump OFF time. If a time is programmed, the cool down cycle will occur in all cases, even if the user turns off the pump. To override the cool down time, simply press and release the ON/OFF key a **second time** during the cool down cycle. **NOTE:** The cool down feature only applies to circuit #1, in all modes.

1. Use the **PROG** key to advance to the **Cool Down** setting.



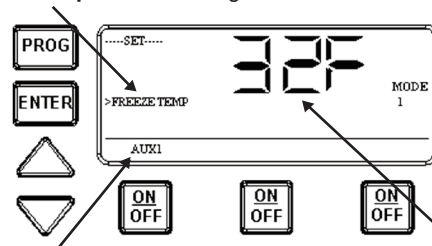
2. The default cool down time is **zero**. Use the arrow keys to modify the cool down time. The range is zero to fifteen minutes. Use the Enter key or Program key to either save and exit, or save and advance to the next programming feature.

STEP #10 Setting The Freeze Temperature

NOTE

The freeze temperature programming will not appear unless you have installed the Intermatic freeze sensor, (See Fig. #1 for installation and ordering details). Without the freeze sensor installed, programming will end once you have finished programming the cool down cycle, and pressed and released the Program key to advance.

1. Use the program key to save and advance to the **Freeze Temperature** setting.



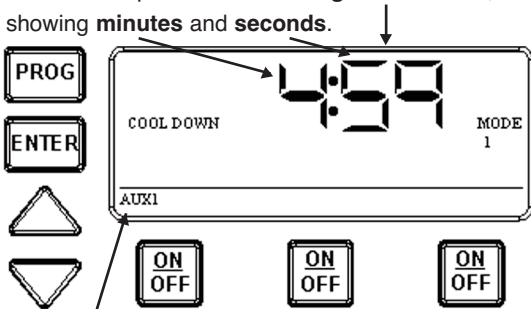
The **1st circuit** is the factory selected default, and **32°F** is the default temperature setting.

2. Use the Up and Down arrow keys to increase or decrease the desired freeze temperature trip point. The range trip setting is 32°F thru 44°F.
3. After you have selected the proper temperature, push and release the desired ON/OFF keys to indicate which circuits should come ON when that temperature is reached.
4. When programming is complete, push and release the Enter key or Program key to end your programming session.

Runtime Definitions

Firemen Switch Runtime Display

The following example illustrates how the display will look when the cool down feature is activated. In this example, the cool down time was set for 5 minutes, and is in the process of **counting down** to zero, showing **minutes** and **seconds**.

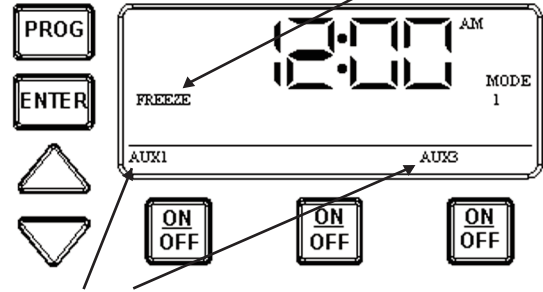


The **AUX1** indicator is **blinking** indicating the cool down feature is activated for circuit #1. The cool down feature only effects circuit #1, in all five possible modes of operation. When the count down display reaches **zero**, circuit #1 will open and the display will change back to the time of day.

You can override the cool down feature by simply pressing and releasing the ON/OFF key associated with circuit #1. This will end the cool down cycle, and immediately turn off circuit #1.

Freeze Control Runtime Display

The following example illustrates how the display will look when the freeze control feature is activated. In this example, the freeze sensor was connected, enabling the freeze control feature. Circuits #1 & #3 were programmed to come on during a **freeze** condition.



Aux #1 & #3 will blink indicating the control has activated these two circuits due to a freeze condition. To override the circuits during a freeze condition, simply press and release each of the corresponding ON/OFF keys. This will override the freeze control and turn the devices OFF. The override will only last for one hour, so if the freeze condition still exists after one hour, circuits #1 & #3 will come back on.

The freeze protection stays enabled until the outside air temperature exceeds the programmed freeze temperature for more than one minute.

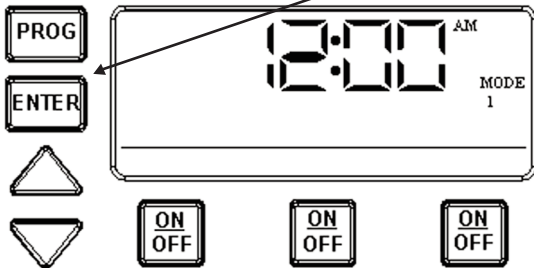
IMPORTANT NOTE

The freeze protection feature will not work unless you have installed the freeze sensor probe. Refer to page six of this manual for ordering and installation instructions, and step #10 for freeze programming instructions.

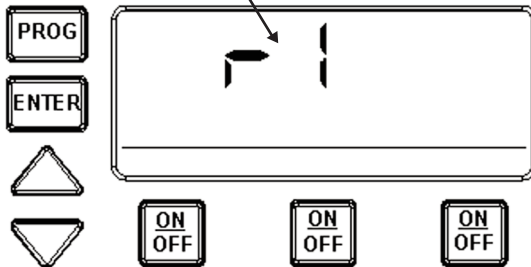
Viewing the Software Revision Level

It may be necessary to view the revision level of the internal programming for service purposes, or compatibility issues with future Intermatic Designs. To do so, simply follow the below procedure:

1. Make sure the Multipurpose Control is not in programming mode. Press and hold down the **ENTER** key until the display changes.



2. After 5 seconds, the display should change to the revision level. The **r1** stands for revision one, **r2** for revision two and so on.



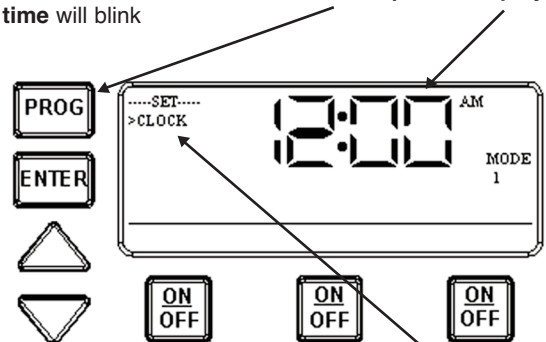
3. Release the **ENTER** key after viewing the revision level. The revision level should disappear and return back to the time of day.

4. If you desire to change the entered runtime, simply push and hold either the up or down arrow key, then push and hold the corresponding **ON/OFF** key. You can now use the arrow keys to modify the current runtime.

Clearing all scheduled ON/OFF Events Quickly

There are many ways to clear all the scheduled ON/OFF events. You can refer back to step #8, pages 24 & 25, and walk through and clear each of the events, or you can follow the below procedure and clear all the events at one time. This function is helpful when you want to start your event programming from scratch and disable all the current ON/OFF events.

1. Press and hold down the **PROG** key. The **display time** will blink

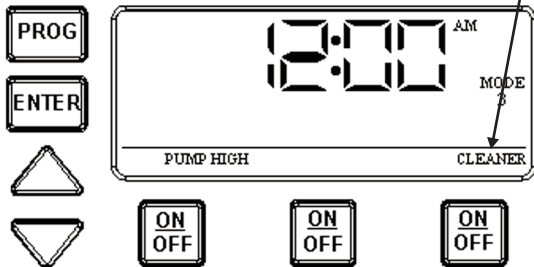


2. After approximately 5 seconds, the **SET CLOCK** will disappear and the display time will stop blinking.

3. You have now cleared all the scheduled ON/OFF events. Refer to step #8 to set new ON/OFF event times.

Cleaner Pump Runtime Display

The cleaner pump should always be connected to circuit #3 and the mode setting should be set to #3 or #4, depending on the filter pump configuration. Before the cleaner pump can come on, circuit #1 (filter pump) must be on for more than 30 seconds. If the filter pump is off and the cleaner pump must turn on because of a manual action or the beginning of a program, the control first forces the filter pump to go on, then 30 seconds later, turns the cleaner pump on. A **blinking cleaner pump icon** indicates the cleaner pump will start after the minimum 30-second delay.



Like the other outputs, the cleaner pump icon is solid after the cleaner pump has turned on. In the event someone manually turns off the filter pump, the cleaner pump will also turn off.

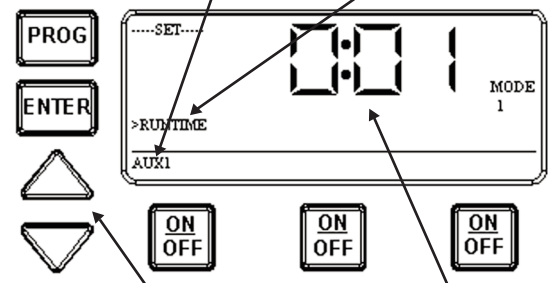
If the control is connected to a two-speed pump, with a cleaner pump connected to circuit #3, the control should be in Mode 4. If the filter pump is off, or in low speed, and the cleaner pump must turn on because of a manual action or the beginning of a program, the control first forces the filter pump to turn on high speed, then 30 seconds later, turns the cleaner pump on.

Special Features

Setting The Countdown Timer

The countdown or runtime timer allows you to turn on a desired load for a predefined amount of time without interrupting or setting a new On/Off event. This feature is useful when chemicals are added to the pool or spa water, and the pump needs to circulate the chemicals for a minimum amount of time. You can define a countdown time for any or all of the three available circuits. The countdown time can range from 1 minute to 23 hours, 59 minutes. The countdown time will override all scheduled On/Off events for that particular circuit, and can only be cleared by manually turning off the circuit with the On/Off key.

1. Make sure the desired circuit you wish to enter a countdown time for is in the OFF position.
2. Choose the circuit you wish to enter a countdown for, in this case **Circuit #1**. Push and hold down its ON/OFF key, and at the same time push the up or down arrow to enter the **Runtime Mode**



3. Use the **Up/Down keys** to change the **runtime amount**, in this case 1 minute. Release the ON/OFF key when you have reached the desired runtime. The circuit will now stay ON for the defined runtime entered.