

# ML300



The ML300 is a flanged mounted pool lift that is ideal for a wide range of pool applications. The ML300 comes standard with our new LiftOperator® Control System.

- Third party tested & verified ADA Compliant
- 300 lb/136kg lifting capacity
- Retrofit anchor jig is standard
- Flange mounted with 4 anchor bolts
- LiftOperator® Intelligent Control includes a 24 Volt rechargeable battery
- Powder-coated stainless steel and aluminum construction
- Rotomolded seat



## Lift Color



RADIANT WHITE

Due to printing technology actual color may differ.



New Construction Jig with Anchors 500-5000A

Model No.	Description	Shipping – (Class 85)			
		Weight	Length	Width	Height
575-3000	ML300	200 lbs 90kg			
575-3000N	ML300, no anchor	200 lbs 90kg	50"	24"	28"
575-3005	ML300 with armrest	205 lbs 92kg	127cm	61cm	71cm
575-3005N	ML300, with armrest, no anchor	205 lbs 92kg			

### Note:

- Includes battery, charger, battery console cover, water-resistant hand control, footrest, seat belt assembly and retrofit anchor jig.

## Parts & Accessories

- 170-1000 Arm Rests
- 500-5200 Total Cover
- 1001495 Battery
- 300-6800A Anchor Bolts, 4
- 300-6900 multiLift Anchor Kit for existing deck
- 970-0000 Seat Saver Cover
- 300-6700A Anchor, 4
- 900-1000 Seat Belt

## New Construction Guidelines

Scenario	Pool Lift	Anchor Jig
Order pool lift and new construction jig at same time	575-3000	500-5000 (no anchors)
Order new construction jig ahead of pool lift	575-3000N	500-5000A (comes with anchors)

## ML300 and multiLift Comparison

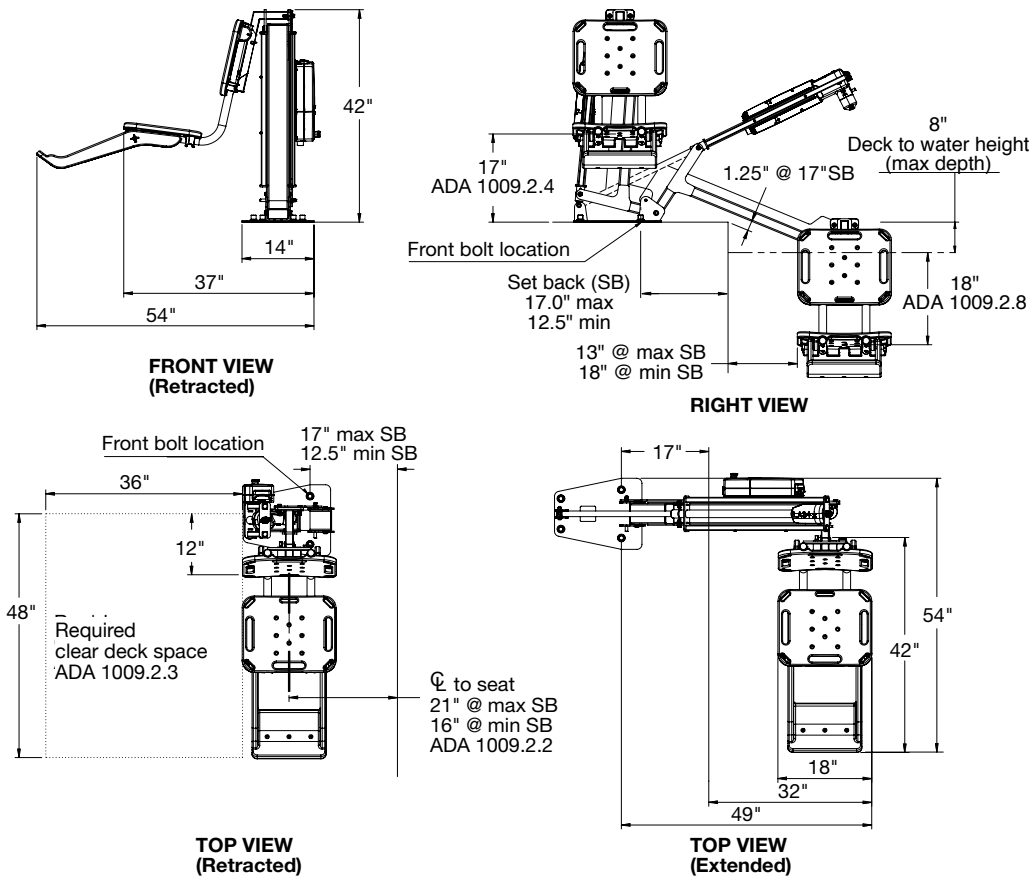
Features	ML300	multiLift™
Weight Capacity	300 lbs.	350 lbs.
3rd Party Verified ADA Compliant	YES	YES
Arm Rests	YES	YES
Total Cover Option	YES	YES
Key Activation System	NO	YES
Folding Seat Option	NO	YES
Wheel-A-Way Option	NO	YES

A completed Deck Profile form is required with your pool lift order.



Coming in Early 2016!

New rotomolded seat with integrated armrests



Key	Part Number	Description
1	575-0000A	Lift Assembly
2	300-6700A	Flush Deck Anchor Kit
3	1001495	Battery, LiftOperator
4	160-5000	Seat Assembly with Footrest
5	6-700B	1/16" Softpad
6	05-616	1/2" x 1 1/2" Nylon Washer
7	05-14-132	Plastic Flat Washer
8	05-14-115	1/2" Lock Washer
9	800-0129	Hex Bolt
10	05-618	1/2" Nut Cap
11	500-5000	New Construction Jig (no anchors)
	500-5000A	New Construction Jig with anchors
	1001601	Hand Control, 2-button (not shown)
	400-7001	Controller Assembly, not keyed, 2-button
	400-7001K	Controller Assembly, keyed, 2-button (not shown)
	1001530	Battery Charger, LiftOperator (not shown)
	900-1000	Seat Belt Assembly (not shown)

