

## STEP BY STEP ASSEMBLY INSTRUCTIONS, Cont'd



### Step 6 Handrail/Deck Supports

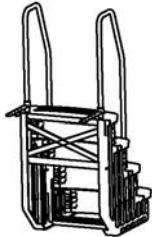
Secure each Upper Handrail (E1) to the Lower Handrail (E2) by using the Handrail Connector (J). Use a #8 x 1" screw to secure the connector to the lower and upper handrail. To secure your Easy Step to your deck or pool top seat, be sure to position the Deck Connectors (H) around the upper handrails prior to inserting the handrails in the step sockets. Insert the upper and lower handrail assembly into the sockets located on the top step and third step from the top. Secure the handrails to the side risers with eight (8) #14 x 1-1/4" screws (N). Screw holes are located on the outside of the left and right risers.



### Step 7 Socket Caps / Tread Screws

Plug the two remaining handrail sockets located on the third step by using two of the Socket Caps (L).

Notice the four screw locations on the surface of the second tread. Secure each location with one #8 x 1" screw.



### Step 8 Pool Installation

**Note: Two (2) people are required for installation.**

A total weight of approximately 125 lbs., is required to keep the step from moving once in place. With the assistance of another person, carefully place the step into the pool. Place the three Ballast Bags (M) or other ballast over the Ballast Tray (D) to hold the step into place. Again, with the assistance of another person, walk back and position the step against the pool wall to prevent swim behind hazards.



### Step 9 Deck Mount Installation

With the step in position close to the pool wall, slide the Deck Connectors (H) into installation position on either the pool top seat or pool deck. Secure to the deck with two (2) #8 x 1" screws (N). Use a minimum of two screws per deck connector. Now secure each Deck Connector (H) to each Upper Handrail (E1) by using a single #8 x 1" screw as shown.

1004 Jaycox Road • Avon, Ohio 44011  
888-333-1134

**main Access**  
ENTRY SYSTEMS

REV 031108

**main Access**  
ENTRY SYSTEMS

## EASY ENTRY STEP ASSEMBLY INSTRUCTIONS

Model #200400T

• Can be used with Model #200700T (Smart Choice Ladder) to create the Easy Entry System

### SAFETY INSTRUCTIONS:

- Install step per manufacturer's instructions.
- Locate Easy Entry Step on a solid base.
- Easy Entry Step is designed for use by one person at a time.
- This step is intended for use as a swimming pool entry/exit only.
- Face the step when entering and exiting the pool.
- No jumping, no diving from the step.
- Do not swim through, behind or around the step.



Shown with  
Easy Entry System  
#200800T  
(200700T/200400T)

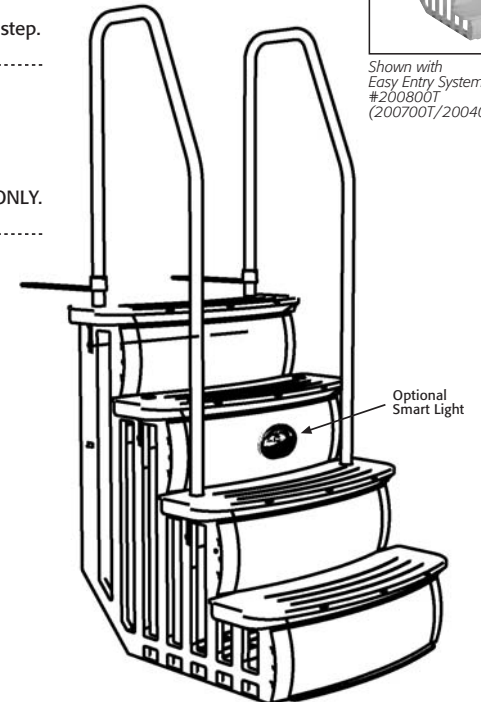
### Tools Required

Cordless Screwgun/Drill, 1/8" Drill Bit,  
Standard Phillips Bit, Safety Glasses

SAND NOT INCLUDED. FLAT BOTTOM POOLS ONLY.

**Note:** Before you begin the assembly of your ladder/step please insure you have all components and hardware.

**Note:** Contact our customer service department to request any missing or damaged parts or hardware at 888-333-1134.

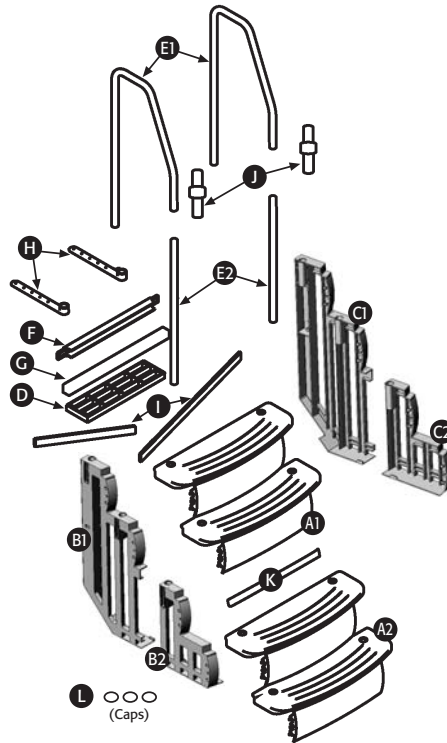


**Easy Entry Step Components Qty**

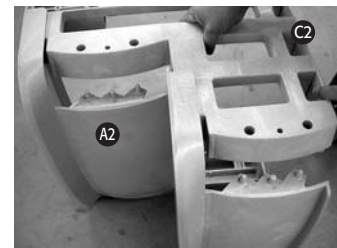
|                            |   |
|----------------------------|---|
| A1) Upper Step Tread       | 1 |
| A2) Lower Step Tread       | 1 |
| B1) Upper Left Side Riser  | 1 |
| B2) Lower Left Side Riser  | 1 |
| C1) Upper Right Side Riser | 1 |
| C2) Lower Right Side Riser | 1 |
| D) Ballast Tray            | 1 |
| E1) Upper Handrails        | 2 |
| E2) Lower Handrails        | 2 |
| F) Top Step Support Brace  | 1 |
| G) Mid Riser Brace         | 1 |
| H) Deck Connectors         | 2 |
| I) Riser Cross Braces      | 2 |
| J) Handrail Connectors     | 2 |
| K) Step Tread Connector    | 1 |
| L) Handrail Socket Caps    | 3 |

**Hardware Kit (not shown) Qty**

|                           |    |
|---------------------------|----|
| M) Ballast Sand Bags      | 3  |
| N) #8 x 1" SS Screws      | 18 |
| O) #14 x 1-1/4" SS Screws | 8  |
| P) #10 x 3/4" SS Screws   | 9  |



A second person will be of assistance in holding the side risers in place as it is being secured to the step treads.



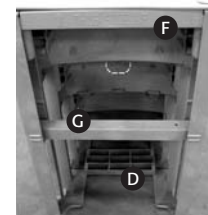
**Step 2 Right Riser Assembly**

Position the Step Tread Assembly on its side as shown. Align the "mushroom head" snaps with holes on the Lower Right Side Riser (C2). Once all snaps and alignment holes are in position, firmly hold down the riser and strike with a rubber mallet to secure the "mushroom heads" to the riser. Repeat this process with the Upper Right Side Riser (C1).



**Step 3 Left Riser Assembly**

Position the Step Tread Assembly on its side as shown. Align the "mushroom head" snaps with holes on the Lower Left Side Riser (B2). Once all snaps and alignment holes are in position, firmly hold down the riser and strike with a rubber mallet to secure the "mushroom heads" to the riser. Repeat this process with the Upper Left Side Riser (B1).



**Step 4 Step Braces / Ballast Tray**

Locate the Top Step Support Brace (F). Position the brace with the open side facing toward the front of the step. Be sure to position the brace so the notch on each end will align and be flush with the top side of each riser. Locate the Mid-Riser Support Brace (G). Position the brace with the open side facing down. Snap down and secure the brace over the tabs which are located in the middle back section of each riser. **Securely snap in Ballast Tray (D) over riser tabs.**

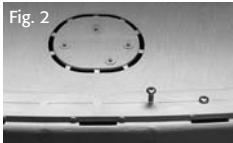
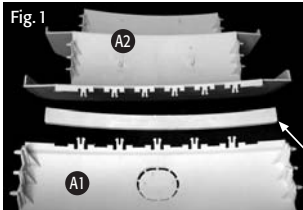


**Step 5 Cross Brace**

Locate the Cross Braces (I). Also, locate the screw head alignment indicators on the back side of the left and right risers. These are the elevated ridges on the back side of each riser. Position the screw in between the lines and secure the cross brace with four (4) #8 screws (N).

*Continued on back page*

## STEP BY STEP ASSEMBLY INSTRUCTIONS



K — End View

**Step 1 Step Tread Assembly**

Position the Step Tread Connector (K) and the Upper Step Tread (A1) as shown. Be sure to position the Step Tread Connector with the tapered side towards the top of the step as shown. Align all connectors and snap in place (see Fig. 1). Be sure all connectors are firmly secure. Repeat this process with the Lower Step Tread (A2).

As indicated in Fig. 2, use nine (9) #10 x 3/4" SS screws to secure the Upper and Lower Step Treads to the Step Tread Connector. **DO NOT OVERTIGHTEN!**