

For models #200200 Easy Incline and #200300 Pro Series

Ladder Components Qty

A) In-Pool Ladder Body	1
B) Handrails	2
C) Deck Flange	2

Hardware Kit Qty

D) #10 x 3/4" Tek Screw	4
E) #10 x 1" Panhead Screw	6

Tools Required: Phillips and standard screwdriver or bit, drill, 1-1/2" hole saw, pencil.

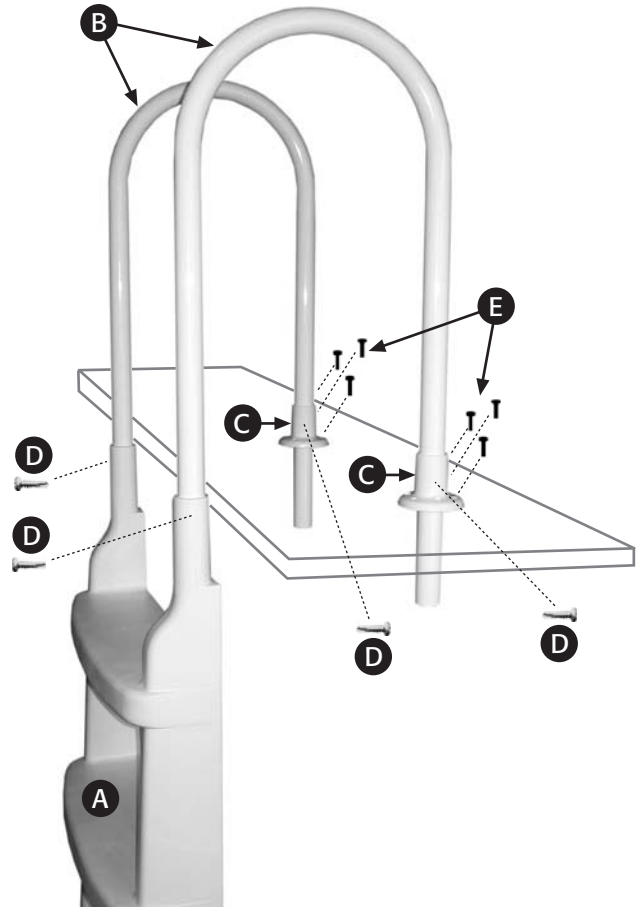
Note: Handrails should be mounted through the deck boards for proper installation.

Note: Before you begin the assembly of your ladder/step, please insure you have all components and hardware.

Note: Contact our customer service department to request any missing or damaged parts, hardware or labels at 888-333-1134.

SAFETY INSTRUCTIONS:

- Install ladder per manufacturer's instructions.
- Locate IN-POOL LADDER on solid base.
- Ladder is designed for use by one person at a time.
- This ladder is intended for use as a swimming pool ladder only.
- Face ladder when entering and exiting the pool.
- No jumping, no diving from ladder.
- Do not swim through, behind or around the ladder.

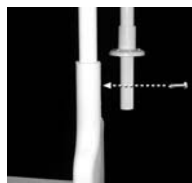


STEP BY STEP ASSEMBLY INSTRUCTIONS

Step 1 Handrail Assembly

Secure aluminum handrails (B) to the ladder body (A), the shorter end of the handrail at the ladder body and the longer end through the deck.

NOTE: Be sure to fully insert the handrail into the ladder socket and secure with one set screw #10 x 3/4" Tek Screw (D). Screw should be secured through outside of each ladder socket into the handrail to act as a set screw to secure the handrail to the ladder body.

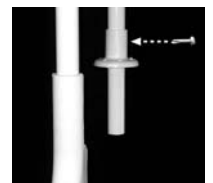


Step 2 Ladder Position

Locate the final desired position of the in-pool ladder. Insure the ladder bottom will rest flat and level on the bottom of the pool. Position the handrails on the deck and mark their final desired position with a pencil and set them aside. Using the 1-1/2" hole saw, drill two holes through the deck boards that will now support the in-pool ladder.

Step 3 Secure Handrails to Deck

Place the deck flanges (C) around each handrail on the deck side and insert the handrails through the holes in the deck until the ladder rests flat and level on the bottom of the pool. Secure each deck flange to the deck with three (3) #10 x 1" Panhead Screws (E). Also secure the handrail to each deck flange by once again using one (1) #10 x 3/4" Tek Screw (D) to act as a set screw to secure the handrail into the final desired position.



NOTE: Up to four standard patio pavers or bricks can be inserted in the bottom tread for additional ballast. Be sure to shim the pavers or bricks firmly in place.