

GRAND EFFECTS

Linear Fire Bar Inserts

(Manual Operation)

OWNER'S MANUAL / OPERATING AND MAINTENANCE INSTRUCTIONS

For your safety:

If you smell gas:

1. Shut off gas to the appliance
2. Extinguish any open flame near unit.
3. If odor continues, immediately call your gas supplier

For your safety:

Do not store or use any gasoline or other flammable vapors and / or liquids in the vicinity of this or any other appliance.



This manual should remain with the homeowner or parties responsible for operation.

(Rev -)

Table of Contents

| | |
|--|---------|
| Gas Requirements | Page 3 |
| Installation of Linear Fire Bar Insert | Page 6 |
| Burner Setup and Adjustment | Page 8 |
| Maintenance | Page 10 |
| Operation | Page 10 |

1.0 Gas and Electrical requirements:

- | | | | |
|-----|------------------------|------------------------|----------------|
| 1.1 | Gas type: | <u>Natural Gas</u> | <u>Propane</u> |
| 1.2 | Gas Pressure: Nominal: | 7" wc | 11"wc |
| 1.3 | Gas Requirements: | 40,000 Btu/Hr per Foot | |
| 1.4 | Burner Length: | 3ft thru 10ft | |

Note: Check with your gas supplier to verify gas flows and pressures available at the location of your installation. In many cases utility companies will install larger meters at no charge to accommodate larger flows.

2.0 Installation for Linear Fire Pit Insert

Warning: This unit is for outdoor use only
Recommended CSA/AGA Clearances: Sides 4 ft

- 2.10 Do not install near any combustibles such as wood structures, fuels, clothing, fabrics or dry vegetation.
- 2.11 Install Fire Feature well out of the way of pedestrian traffic.
- 2.12 Installation shall be performed by a licensed contractor. All aspects of installation must conform to local or National codes, or in the absence of codes, with National Fuel Gas Code ANZI Z223.1.
- 2.13 Gas lines must be clean and free from any dirt, debris or contamination
- 2.14 Build structure so that inside dimensions meet requirements shown in Fig. 1
Do not use fire brick to line the inside of the Linear Fire Pit. Fire brick will retain heat and may result in over heating of the electronics.
- 2.15 Providing good drainage is critical as shown in Fig. 2
- 2.16 Venting (air gap at bottom of Linear Fire Pit side and end walls) is recommended as shown in Fig. 2
- 2.17 Maintain good piping practice by keeping pipe length and elbows to a minimum to eliminate unnecessary pressure drops. (Do not use any corrugated flexible gas line).
- 2.18 Gas should be located inside of trough. Gas Ball Valve/Key Valve should be located in trough wall or within 5 ft of feature.
- 2.19 Mount the Support Plate using the L Brackets provided. The Support Plate should be mounted so that top of Burner is 1/2"-1" below top of wall. (shown in Fig. 1) The Support Plate should rest on top of the L Brackets.
- 2.20 Connect inlet and outlet gas hoses supplied by Grand Effects, making sure all connections are tight. Keep hoses away from underside of Support Plate. (away from heat)

IMPORTANT!!

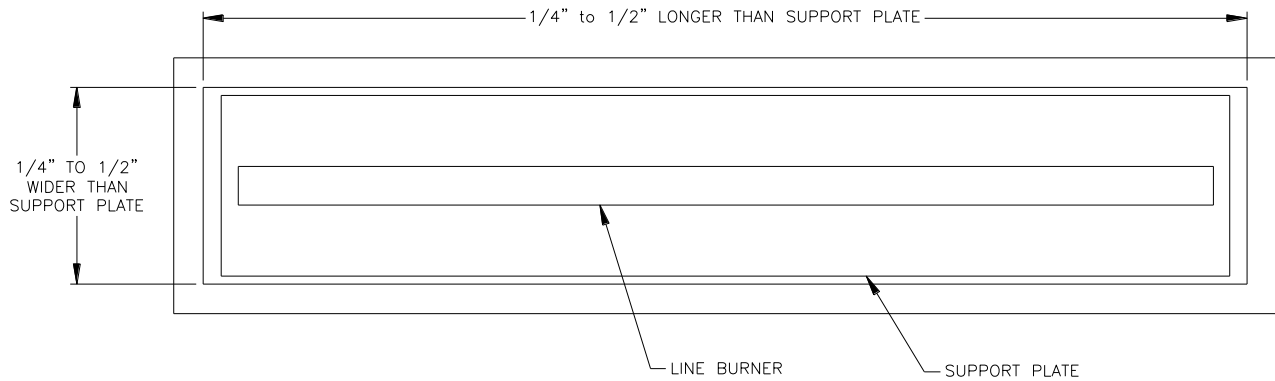
**Note: 10" Minimum Depth Requirement of Linear Fire Pit (as shown in Fig. 2)
Venting is recommended for cooling Burner Assembly (as shown in Fig. 2)**

Available Support Plate Sizes:

(length x width) custom sizes available may be available on request

44" x 13"

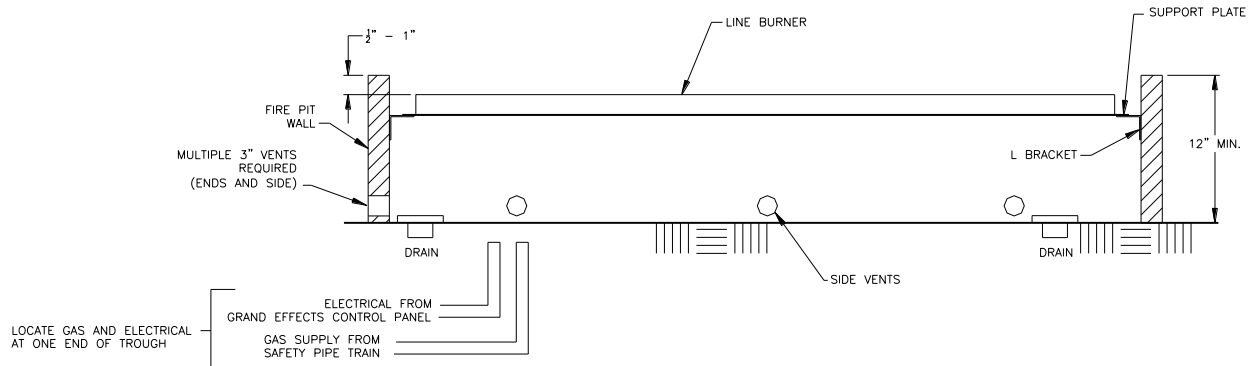
44" x 10"



Top View of Trough and Burner Assembly

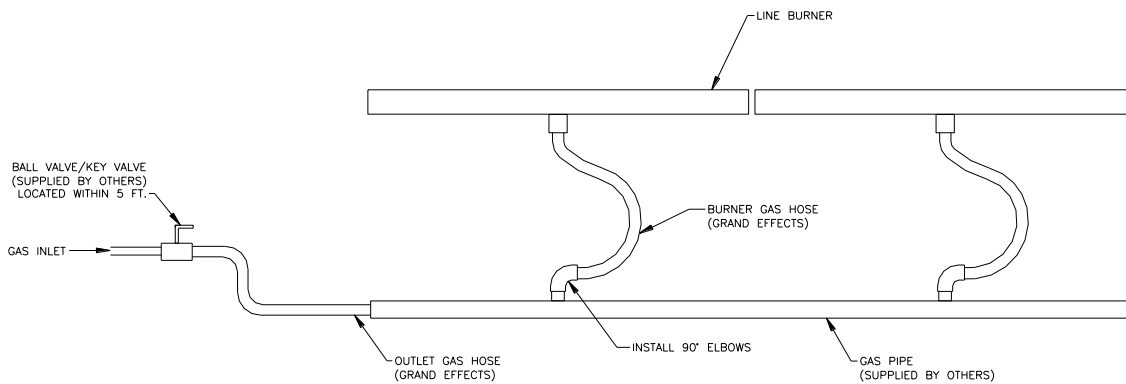
Fig. 1

**Note: Gas should be located INSIDE of trough.
Locate gas ball valve/key valve within 5ft of feature.**



Cut Away of Trough Section

Fig. 2



Piping Configuration

Fig. 3

Important: Do not kink or make sharp radius on gas hose. Make sure gas hoses are not touching underside of Support Plate.

5.0 Burner Setup and Adjustment

- 5.10 After the “Burner Assembly” has been lit, it can now be adjusted for flame size.
- 5.20 The height of the flame can be adjusted by opening or closing the gas ball valve/key valve. Flame height should be adjusted to 10”-12”. Excessive flame height can result in overheating of the burner.
- 5.21 Install decorative rock or glass on top of “Burner Support Plate” and “Burner”. Larger lava rock is recommended (2”-4” in size). 5.8 Note: **Do not use glass with propane installations.** (If you use glass with natural gas, and you have more than a ¼” gap between inside wall and Support Plate, you will need to lay down stainless mesh screen to prevent glass from falling through) If you use ¼” pieces of lava it should be treated as a glass installation).

IMPORTANT: Do not use fire glass with propane installations!!

CAUTION!! Lava Rock is an accepted medium for fire features. However, pieces may pop or explode when exposed to heat or when wet and exposed to heat. Use caution when in immediate area.

6.0 Maintenance

- 6.1 Periodically clean the Burner Assembly with a wet cloth or cleaning solution to remove carbon build-up.
- 6.2 Frequency of the cleaning will depend on usage.
- 6.3 Periodically inspect the underside of the Burner Assembly for any signs of excessive temperatures.
- 6.4 Check that all gas connections are tight.
- 6.5 The Unit should not be operated in high wind conditions.
- 6.6 Gas should be securely shut-off during non use.

Note: If any problems are present, consult a licensed heating Specialist or call Grand Effects.

7.0 Operation

Warning: This unit is for outdoor use only

For your safety:

1. If you smell gas, shut off Gas Valve immediately.
2. Extinguish any open flame.
3. If odor continues, immediately call your gas supplier.
4. Do not store or use gasoline or other flammable vapors and / or liquids in the vicinity of this appliance.
5. Do not leave flame on while unsupervised.
6. Do not operate in windy or rainy conditions. If this is done, unit will cycle on and off automatically.
7. Unit should be operated only by a responsible adult.
8. When in use, an open flame is present, therefore, use with extreme care and at your own risk.
9. Before any inspection of the unit, always turn off power and gas supply at the Control Panel.
10. If you experience problems with this unit, call Grand Effects or a licensed heating professional. All work on this unit shall be performed by a licensed heating professional.

Caution! Before you turn on the Grand Effects System, make sure that it is clear of people, animals or any objects that are combustible.

Operating Instructions:

To turn unit "On":

- 1) Crack open gas valve/key valve
- 2) In safe manner, light burner with approved lighting device.
- 3) Adjust gas valve/key valve for desired flame height (not exceeding 10-12")

To turn unit "Off":

1. Close gas valve/key valve

Grand Effects

1 year Limited Residential Warranty/6mo Commercial

Grand Effects will replace, at its expense, any unit, which in normal use, has proven to be defective in workmanship or material, provided that the customer returns the product prepaid to Grand Effects with proof of purchase within one year and provides Grand Effects with reasonable opportunity to verify the alleged defect by inspection. Grand Effects will not be responsible for any asserted defect, which has resulted from misuse, abuse, repair or alteration. Under no circumstances will Grand Effects be liable for incidental or consequential damage resulting from defective products. This warranty is Grand Effects' sole warranty and sets forth the customer's exclusive remedy, with respect to defective products, all other warranties, expressed or implied, whether of merchantability, fitness for purpose or otherwise, are expressly disclaimed by Grand Effects. Grand Effects is not responsible for any injury or mishap related to misuse, abuse or lack of judgment choosing fire display locations.



Contact us at:

GRAND EFFECTS

18 Technology Dr. #122

Irvine, CA 92618

Office (949) 697-5270

Fax (949) 625-8027

e-mail: info@grandeffectsinc.com