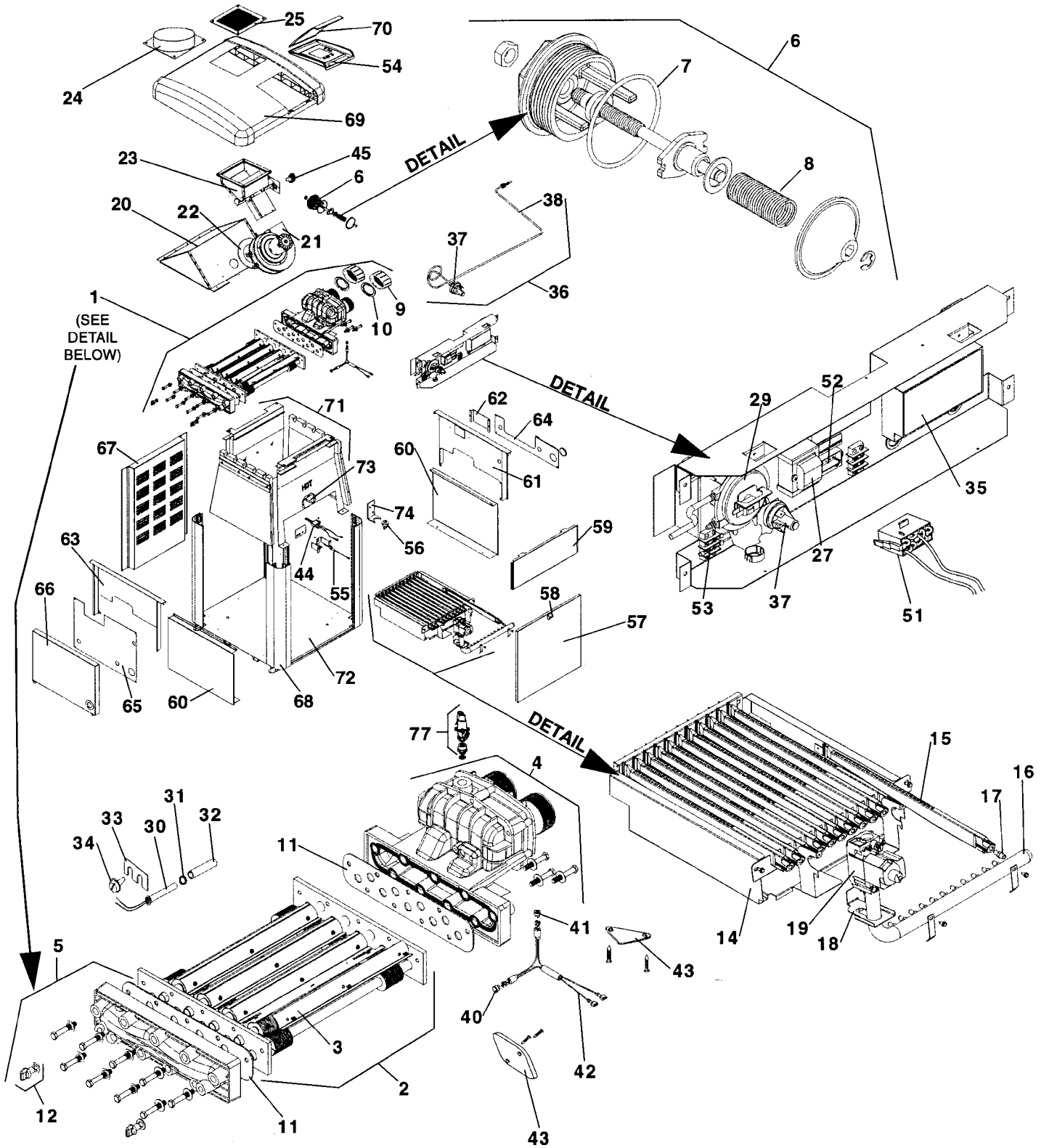


Laars LX®/LT™ (Mfg. 1999-Present) Parts List and Diagram



Laars LX®/LT™ (Mfg. 1999-Present) Parts List and Diagram

Key No.	Description	Model No.	ORDER PART NO.	Key No.	Description	Model No.	ORDER PART NO.
WATER COMPONENTS				35	Ignition Control	All	R0328800
1	Complete Heat Exchanger (Copper)	250	R0326303	37	Pressure Switch, 2 psi	All	R0013200
	Complete Heat Exchanger (Copper)	400	R0326305	38	Siphon Loop	All	R0334600
2	Tube Assy.(Cu), w/ Hdwr & Gaskets	250	R0326603	39	High Limits Set	All	R0023200
	Tube Assy.(Cu), w/ Hdwr & Gaskets	400	R0326605	40	High Limit 135°F	All	R0022700
3	Heat Exchanger Baffles	250	R0334403	41	High Limits 150°F	All	R0023000
	(Set of ten including end baffles)			42	Harness, High Limit Switch	All	R0334700
	Heat Exchanger Baffles	400	R0334405	43	Retainer Plates, High Limit (Set of 2)	All	R0336500
	(Set of ten including end baffles)			44	Hot Surface Ignitor	All	R0337000
4	Front Header, w/ Hardware & Gaskets	All	R0326900	45	Exhaust Temp. Limit Switch	All	R0329400
5	Rear Header, w/Hardware & Gaskets	All	R0327000	46*	Wire Harnesses Complete	All	R0329500
6	By-Pass Assy, w/Hardware & Gaskets	All	R0327100	47*	Wire Harness, Power Transformer	All	R0330900
7	Gasket, Bypass Assy	All	R0336700	48*	Wire Harness, Ignition Control	All	R0331000
8	Spring, Bypass	All	R0327200	49*	Wire Harness, Gas Valve	All	R0331100
9	Coupling Nut Kit, w/Compression Ring and Gasket (Set of two)	All	R0327300	50*	Wire Harness, Safety Loop	All	R0331200
10	O-rings, Header Coupling for LX	All	R0337600	51	Wire Harness, 120 Volt Power Plug	All	R0336200
11	Gasket, Header (front or rear)	All	R0327500	51	Wire Harness, 240 Volt Power Plug	All	R0336300
12	Header Drain Plug w/gasket (Set of 3)	All	R0335900	52	Wire Harness, 15 Pin Connector	All	R0336400
13*	Heat Exch. Hardware Kit & Gaskets	All	R0327600	53	Terminal Block for Fireman's Switch	All	R0097800
GAS COMPONENTS				54	Temperature Control W/ Bezel	LX	R0329600
14	Burner, Tray Weldment	250	R0327703		Temperature Control W/Bezel - Dual	LT	R0350500
	Burner, Tray Weldment	400	R0327705	55	Flame Sense Rod	All	R0334800
15	Burners (Ea.)	All	L0052300	56	Fusible Link	All	R0012200
16	Manifold, Gas	250	R0327803	JACKET ASSY.			
	Manifold, Gas	400	R0327805	57	Door w/ Latch	250	R0330003
17	Nat. Orifice (0-3K ft) (Set of 20)	All	R0327900		Door w/ Latch	400	R0330005
17	Nat. Orifice (3K-6K ft) (Set of 20)	All	R0328000	58	Door Latch Assembly w/ Handle	All	R0334900
17	Nat. Orifice (6K-9K ft) (Set of 20)	All	R0328100	59	Cover Panel, Raceway	250	R0335103
17	LP Orifice (0-5K ft) (Set of 20)	All	R0328200		Cover Panel, Raceway	400	R0335105
17	LP Orifice (5K-10K ft) (Set of 20)	All	R0328300	60	Panel, Side, Lower (fits left or right)	All	R0330100
18	Anti-Rotation Bracket	All	R0331800	61	Panel, Right Side, Upper	All	R0330200
19	Gas Valve Nat w/ Street Ell	All	R0336800	62	Cover Panel, Exhaust Switch	All	R0336600
19	Gas Valve LP w/ Street Ell	All	R0336900	63	Panel, Left Side, Upper	All	R0335200
EXHAUST SYSTEM				64	Cover Plate, I/O Header Side	All	R0335300
20	Flue Collector	250	R0331703	65	Cover Plate, Return Header Side	All	R0335400
	Flue Collector	400	R0331705	66	Cover Panel, Left Side	All	R0335500
21	Blower Assy.	All	R0329800	67	Rear Panel	250	R0330303
22	Gasket w/ Blower Mounting Hardware	All	R0329900		Rear Panel	400	R0330305
23	Flue Vent	All	R0331500	68	Corner Posts	All	R0330400
	Vent Diverter	All	R0551600	69	Top Panel	250	R0330503
24	Indoor Vent Collar	250	R0331403		Top Panel	400	R0330505
	Indoor Vent Collar	400	R0331405	70	Cover, Temperature Control	All	R0330600
25	Outdoor Grill	All	R0328500	71	Combustion Chamber Assy.	250	R0330703
26*	Vent Hardware Kit	All	R0331600		Combustion Chamber Assy.	400	R0330705
ELECTRICAL				72	Base Panel	250	R0335603
27	Transformer	All	R0061100		Base Panel	400	R0335605
28	In-line Fuse Assembly (Not shown)	All	R0337100	73	Igniter Box Assembly	All	R0335700
29	Blower Pressure Switch	All	R0302000	74	Bracket, Fusible Link	All	R0337200
30	Temperature Sensor	All	R0011800	OPTIONAL			
31	Gasket, Temperature Sensor	All	E0116400	74*	Non Comb. Base	250	R0330803
32	Plastic Sleeve, Temperature Sensor	All	10444900		Non Comb. Base	400	R0330805
33	Retainer Bracket, Temp. Sensor	All	10447300	75*	Touch-up Paint	All	R0335800
34	Screw, Retainer Bracket	All	F0009100	76*	Temperature Rise Measurement Kit	All	R0336000
				77	Pressure Relief Valve	All	R0336100

* Items not shown.