

GRAND EFFECTS

Fire Pit or Fire Pit Insert

Model 100-M (Manual Operation)

OWNER'S MANUAL / OPERATING AND MAINTENANCE INSTRUCTIONS

For your safety:

If you smell gas:

1. Shut off gas to the appliance
2. Extinguish any open flame near unit.
3. If odor continues, immediately call your gas supplier

For your safety:

Do not store or use any gasoline or other flammable vapors and / or liquids in the vicinity of this or any other appliance.



This manual should remain with the homeowner or parties responsible for operation.
(Rev A)

Table of Contents

Gas Requirements	Page 3
Installation	Page 3
Operation	Page 4
Maintenance	Page 5
Spare Parts	Page 5

1.0 Gas Requirements:

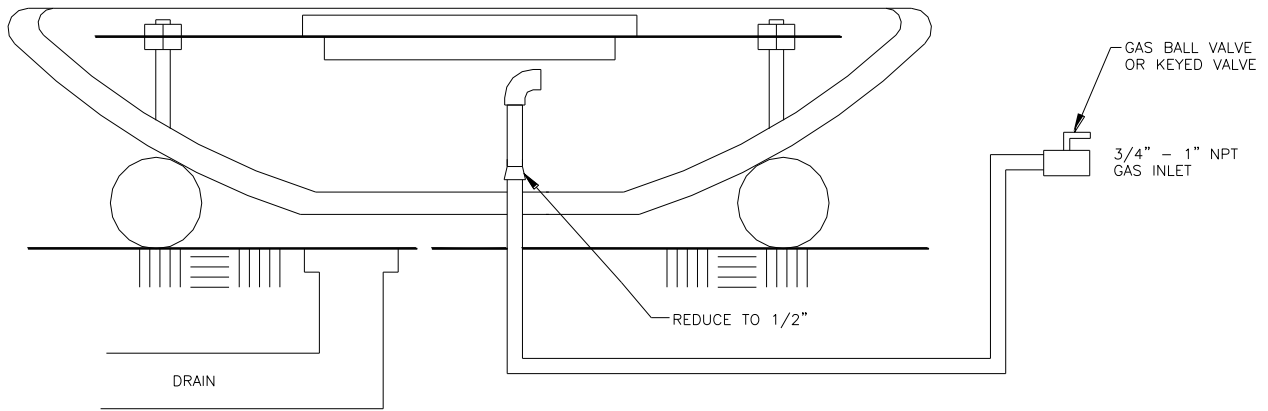
- | | | | |
|-----|---------------|------------------|----------------|
| 1.1 | Gas type: | Natural | Propane |
| 1.2 | Gas Pressure: | 7" wc | 11"wc |
| 1.4 | Gas flow: | 1 Burner System: | 125,000 Btu/hr |

Note: Check with your gas supplier to verify gas flows and pressures available at the location of your installation. In many cases utility companies will install larger meters at no charge to accommodate larger flows.

2.0 Installation

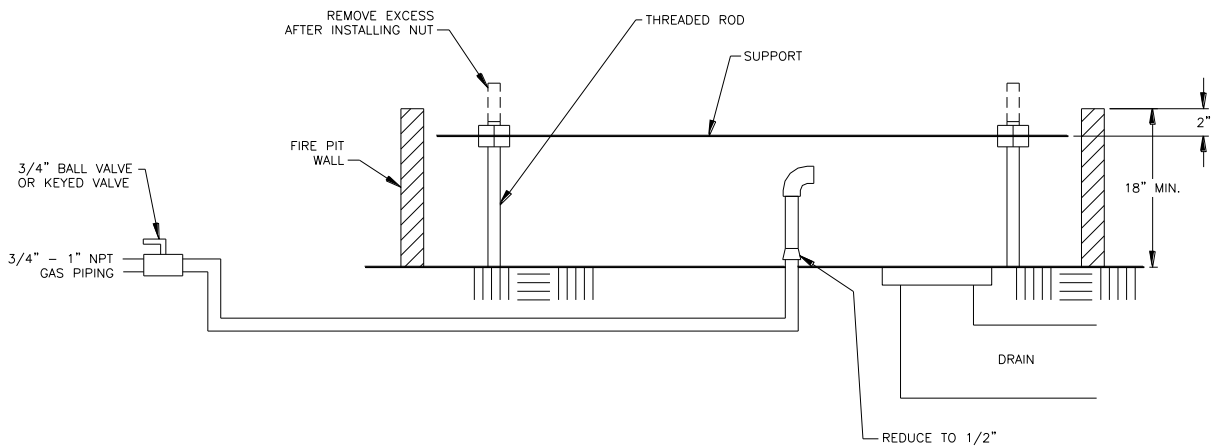
Warning: This unit is for outdoor use only

- 2.1 Do not install near any combustibles such as wood structures, fuels, clothing, fabrics or dry vegetation.
- 2.2 Installation shall be performed by a licensed contractor. All aspects of installation must conform to local codes, or in the absence of codes, with National Fuel Gas Code ANZI Z223.1.
- 2.3 An approved gas valve or keyed valve shall be installed upstream of the unit and located in an accessible area that is within 5ft from the Grand Effects Unit.
- 2.4 Maintain good piping practice by keeping pipe length and elbows to a minimum to eliminate unnecessary pressure drops. (Do not use any flexible gas line)
- 2.5 Install the Grand Effects Fire Pit (48"Essex/42"Biltmore/42"Classic/40"Grand Corinthian/45"Cielo) as shown in Fig. 1.
- 2.6 48"Essex and 45"Cielo require a Grand Effects Mounting Bracket to be installed. The Mounting Bracket secures bowl and allows for cooling air and water drainage.
- 2.7 Fig.2 illustrates requirements for Fire Pits with Manual Burner Inserts (Natural Gas).
- 2.8 Fig. 3 illustrates requirements using propane gas. (no drain)



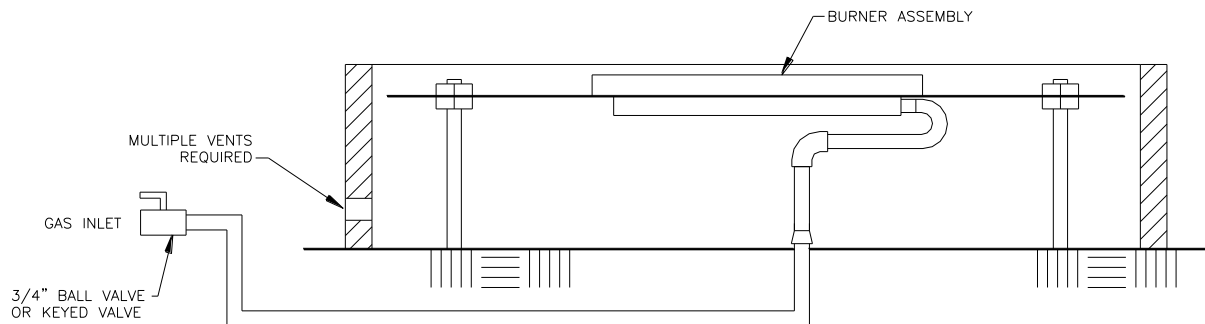
(Biltmore 42" Fire Pit)

Fig. 1



(Fire Pit Insert-Natural Gas)

Fig. 2



(Fire Pit Insert-Propane Gas)
Fig. 3

3.0 Operation

Warning: This unit is for outdoor use only

For your safety:

- 3.1 If you smell gas, shut off gas valve immediately.
- 3.1 Extinguish any open flame.
- 3.3 If odor continues, immediately call your gas supplier.
- 3.4 Do not store or use gasoline or other flammable vapors and / or liquids in the vicinity of this appliance.
- 3.5 Do not leave flame on while unsupervised.
- 3.6 Do not operate in windy or rainy conditions.
- 3.7 Unit should be operated only by a responsible adult.
- 3.8 When in use, an open flame is present, therefore, use with extreme care and at your own risk.
- 3.9 Before any inspection of the unit, always turn off gas and make sure the unit is cool.
- 3.10 If you experience problems with this unit, call Grand Effects or a licensed heating professional. All work on this unit shall be performed by a licensed heating professional.

Caution! Before you turn on the Grand Effects System, make sure that it is clear of people, animals or any objects that are combustible.

- 3.12 With the gas valve in the closed position, check the Grand Effects Unit for any gas smell or indication of a gas leak. If you smell gas or see evidence of a gas leak, do not operate the Unit. Immediately call your utility gas supplier to inspect the unit.
- 3.13 If there is no evidence of a gas leak, crack open the gas valve and immediately light the burner with an approved lighting device.
- 3.14 The height of the flame can be adjusted by opening or closing the ball valve or Keyed valve as shown in Fig. 1 and Fig. 2
- 3.13 To turn the Unit "OFF", close the gas valve to the fully closed position.

4.0 Maintenance

- 4.1 Periodically clean the Burner Assembly with a wet cloth or cleaning solution to remove carbon build-up. Frequency of the cleaning will depend on usage.
- 4.2 Periodically inspect the underside of the Burner Assembly for any signs of excessive temperatures.
- 4.3 Check that all gas connections are tight.

Note: If any problems are present, consult a licensed heating specialist or call Grand Effects.

5.0 Spare Parts

18" Stainless Steel Burner Ring

Manual Gas Valve (AGA/CSA Approved)

Grand Effects

1 year Limited Residential Warranty/6mo Commercial

Grand Effects will replace, at its expense, any unit, which in normal use, has proven to be defective in workmanship or material, provided that the customer returns the product prepaid to Grand Effects with proof of product within one year and provides Grand Effects with reasonable opportunity to verify the alleged defect by inspection. Grand Effects will not be responsible for any asserted defect, which has resulted from misuse, abuse, repair or alteration. Under no circumstances will Grand Effects be liable for incidental or consequential damage resulting from defective products. This warranty is Grand Effects' sole warranty and sets forth the customer's exclusive remedy, with respect to defective products, all other warranties, expressed or implied, whether of merchantability, fitness for purpose or otherwise, are expressly disclaimed by Grand Effects. Grand Effects is not responsible for any injury or mishap related to misuse, abuse or lack of judgment choosing fire display locations.



Contact us at:

GRAND EFFECTS

Office(949) 697-5270

Fax (949) 625-8027

e-mail: info@grandeffectsinc.com