

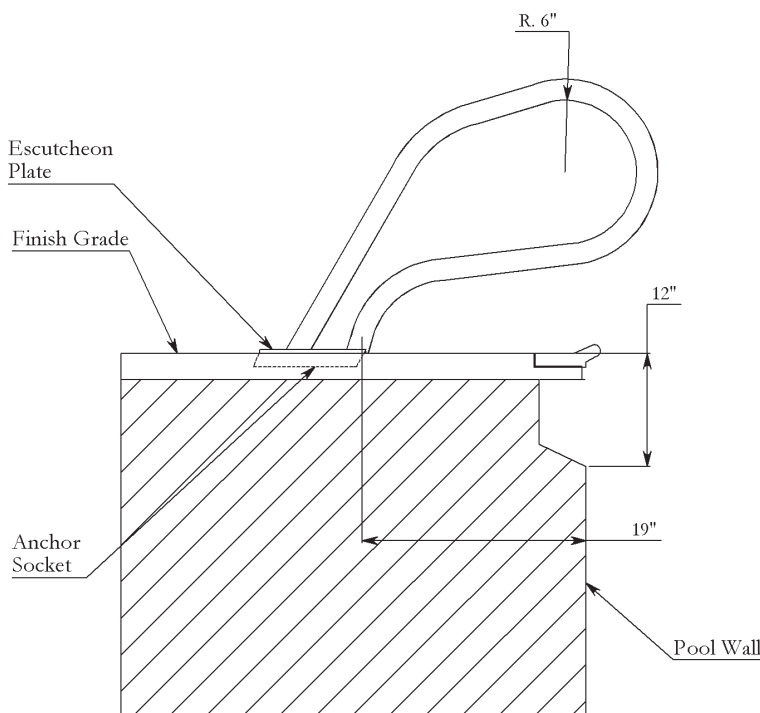
Part # G4G049 (pair)
 Part # G4G049C (pair, complete w/anchor & escutcheons)

FEATURES:

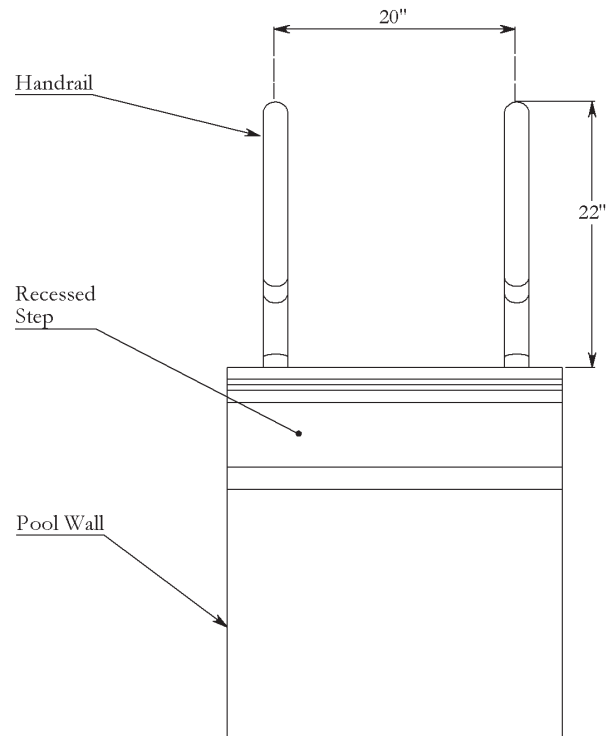
- Durable & Long Lasting .049" wall Stainless Steel Construction
- Available in 5 Powder Coated Finishes
- Ultra Protect Sealant Adds Protection From Surface Rust
- Full Exploded View - pg. F40

NOTE: This product sold as pairs.

Custom Powder Coated Colors = White -1; Earth: -3; Copper Vein: -4; Hammertone Gray: -6; Light Gray: -9
(add custom color code behind part # when ordering)



SECTION



ELEVATION

NOTE: Escutcheons sold separately w/ss products; included with powder coated ladders and rails.
 All measurements on center.