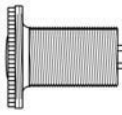




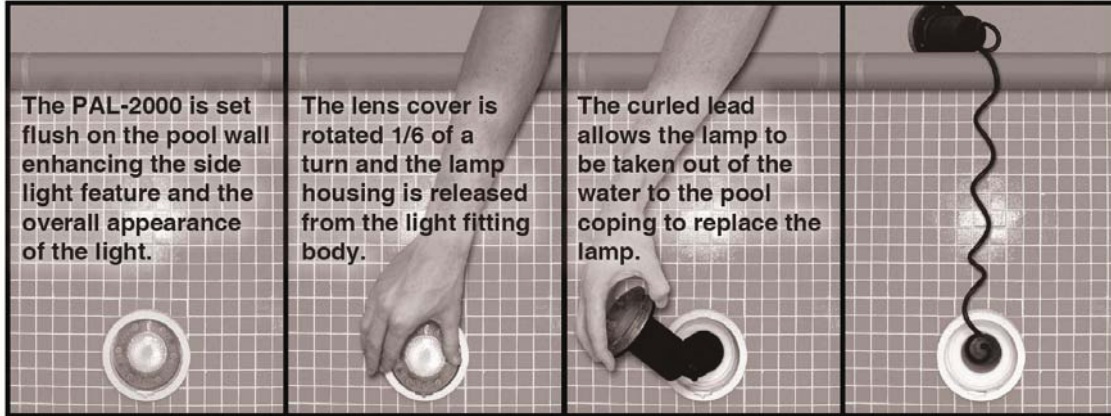
PAL Pool Light System



**PAL-2000
LIGHTING
SYSTEM**

INTRODUCTION TO THE PAL-2000 UNDERWATER LIGHTING SYSTEM

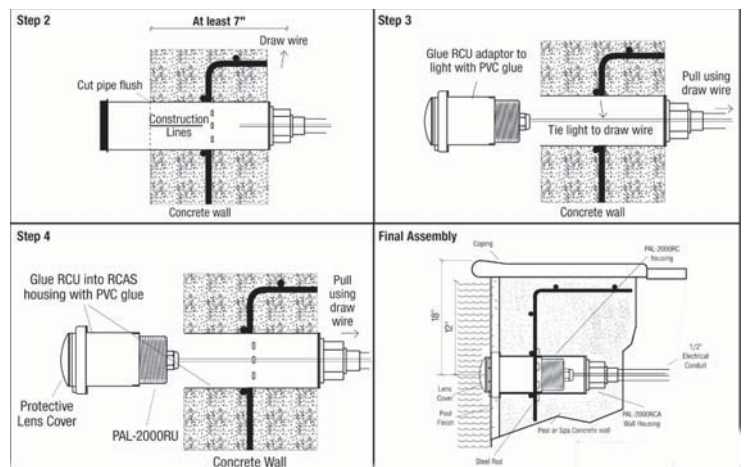
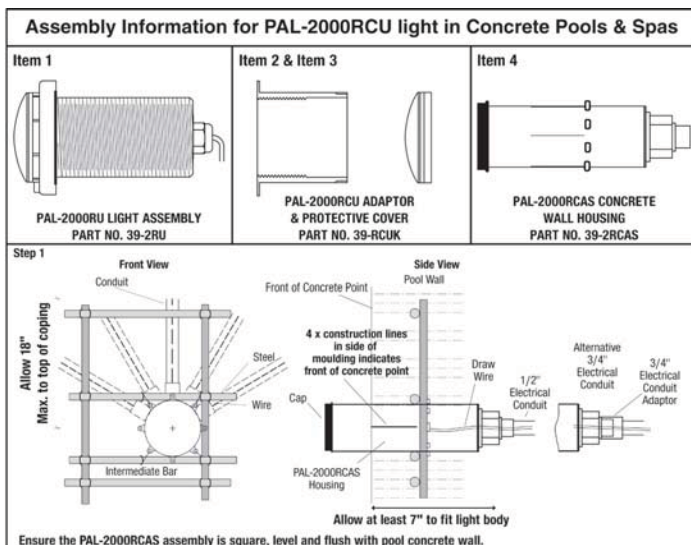
PAL-2000



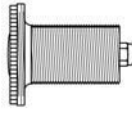
A soft evenly distributed light is now possible from the molded prismatic lens design that provides the PAL-2000 with an outstanding illumination eliminating the end shadow effect common with other existing pool lights. The PAL-2000 light is available with a 10,000 hour life xenon lamp or with a 100,000 hour color change LED array. The PAL-2000 operates from a safe 12V supply and is UL approved. The PAL-2000 has a unique extraction system allowing the light to be simply removed from the pool wall when the lamp has to be replaced as illustrated below.

PAL-2000 Unique Features:

- **Compact Size.** 60% smaller than normal pool lights.
- **Flush Fit to Pool Wall.** The other lights protrude off the wall.
- **Even Light Distribution.** No other light has a flexible molded prismatic lens.
- **Side Light Feature.** The end shadow effect common in other lights has been eliminated.
- **Long Lamp Life.** Fitted with an extra bright, 10,000 hr 12v, 50w, xenon lamp.
- **Clip-On Colored Lenses.** Red, Blue, Green, Orange, Clear.
- **Color Change Digital Array.** Can be fitted with a 100,000 hour color change LED Array with color lock on six different colors or two color change modes.
- **Fully Approved Product.** UL Listed E239438
- **No Earth Bonding Required.** Due to fully insulated design.
- **Non Leak Water Seal.** No polycarbonate materials used to make the seal.
- **Flexible Lens.** Absorbs pressure increase due to the expanding air when light is on.
- **Encapsulated Cable Terminations.** Ensures no external cable or water seal deterioration due to heat.



PAL Pool Light System



**PAL-2000
LIGHTING
SYSTEM**

CONCRETE/FIBERGLASS LIGHTS AND ACCESSORIES

PAL-2000



PHOTO SHOWS LAMP HOLDER REMOVED

PAL-2000 White Light

50w, 12V, Underwater Light with 10,000 hour Xenon lamp, complete assembly with 79 ft. cord, locking nut, and seal. Must use UL listed outdoor transformer. Light includes blue, green, and clear lenses.

Part #	Description	List \$
FPAL-WHT	Light, white ring	\$256.96



LAL DIGITAL
COLOR ARRAY
INCLUDED

PHOTO SHOWS LAMP HOLDER REMOVED

PAL-2000 LED Color

Complete underwater light assembly fitted with a 100,000 hour digital LED color array with color lock and color unison features. Choice of six single colors and two color change modes.

Part #	Description	List \$
FPAL-C	Light, LED color, white ring (5w, 12v)	\$306.21



PAL-2000 Colored UL Warning Ring

Customize your PAL-2000 installation to blend with the color of your pool surface. Simply replace the provided white ring with one of the colored rings below.

Part #	Description	List \$
FPAL-TRW	UL warning plate, white	\$13.38
FPAL-TRB	UL warning plate, black	\$13.38
FPAL-TRG	UL warning plate, gray	\$13.38
FPAL-TRT	UL warning plate, tan	\$13.38



REQUIRES USE OF CONCRETE ADAPTER



PAL-2000 Concrete Fitting

This concrete pool fitting allows for the installation of a standard PAL-2000 underwater light into a concrete / gunite installation. Sold with protective cap. Requires the use of PAL-2000 concrete adapter.

Part #	Description	List \$
FPAL-CA	Concrete pool fitting for PAL-2000. Use with FPAL-CN	\$20.77
FPAL-VA	Vinyl wall adapter for PAL-2000. One adapter per light req'd	\$16.06



REQUIRES USE OF CONCRETE POOL FITTING

PAL-2000 Concrete Adapter

This adapter attaches to the standard PAL-2000 light to enable it's use with the concrete fitting. Sold with protective clear cover.

Part #	Description	List \$
FPAL-CN	Concrete Adapter - Use with FPAL-CA	\$16.70



PAL-2000 12v LED Color Lock Array

This LED array provides six fixed colors and two color change effects. It has no external controllers, synchronizes with other PAL-2000 LAL series LED arrays, and is retrofittable to any existing PAL-2000.

Part #	Description	List \$
FPAL-LAL	LAL series LED array with color lock feature	\$64.24



PAL-2000 12v Replacement Xenon Bulb Kit

This super-bright long life 10,000 hour replacement bulb is shipped with a new light lens O-ring. Available in 50w and 20w sizes for pools, spas and fountains.

Part #	Description	List \$
FPAL-X	Xenon bulb kit, 12v, 50w, w/ O-ring	\$20.34



PAL-2000 Light Lens Accessories

Part #	Description	List \$
FPAL-LB	Blue snap on lens	\$7.82
FPAL-LG	Green snap on lens	\$7.82
FPAL-LR	Red snap on lens	\$7.82
FPAL-LO	Orange snap on lens	\$7.82
FPAL-LC	Clear snap on lens	\$7.82