



Engineered for life



AC Electronically Commutated Spherical Motor Centrifugal Pumps

Applications

Specifically designed for the following uses:

- Water Circulation
- Liquid Transfer
- Ozone Treatment
- Freshwater Aquarium Circulation
- General Purpose Pumping

Specifications

Pump:

- Max Capacities: 36 GPM
- Max Head: 10.5'
- Pipe Connections:
1½" Buttress Threads Suction and Discharge
- Maximum Working Pressure: 50 PSI
- Maximum Temperature: 140° F
- Rotation: counter clockwise when viewed from the motor end

Motor:

- Electronically Commutated AC/DC/AC Spherical Motor
- Canned Spherical Motor Type
- 230 Volt 110 Watts 50/60 Hz, 2100 RPM
- Automatic Overload Protection
- Low In-Rush Current
- Dry Run Protection

Features

Compact Design:

Close coupled, space saving design provides easy installation.

Mounting:

Pump can be mounted horizontally or vertically with motor end down.

Motor Bracket:

Thermoplastic motor bracket is adjustable to 4 different discharge angles.

Construction:

Available in 316SS fitted thermoplastic.

Ceramic Bearing Ball and Carbon Bearing Cap:

High density ceramic bearing ball and graphite impeller bearing cap designed for high efficiency and long life.

Impeller:

Highly efficient, clog resistant open impeller is dynamically balanced with carbon bearing for smooth ultra quiet operation.

Casing:

Casing is thermoplastic construction.

Mechanical Seal:

Unique patented design has no mechanical seal which is a potential leak path.

Motor:

Highly efficient and ultra quiet spherical motor design. Pump is designed for continuous operation. All ratings are within working limits of the motor.

Electronics:

Embedded microprocessor control is self protected against dry run conditions. Available with variable speed with PWM input or dial control (potentiometer) on the pump.

Noise level:

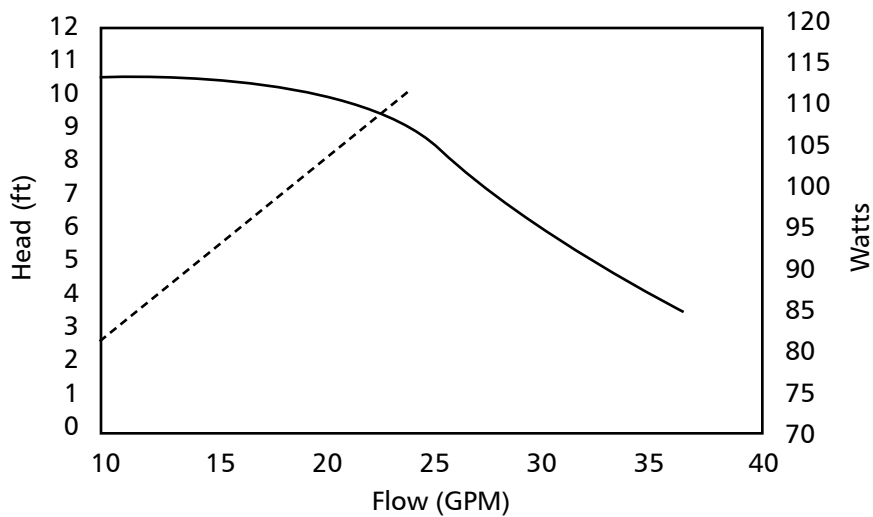
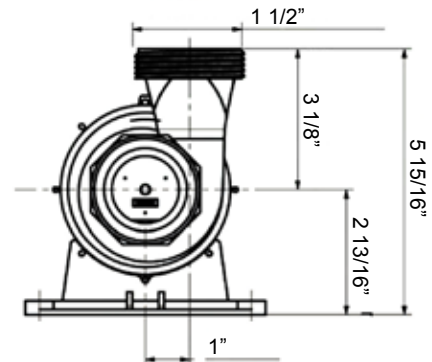
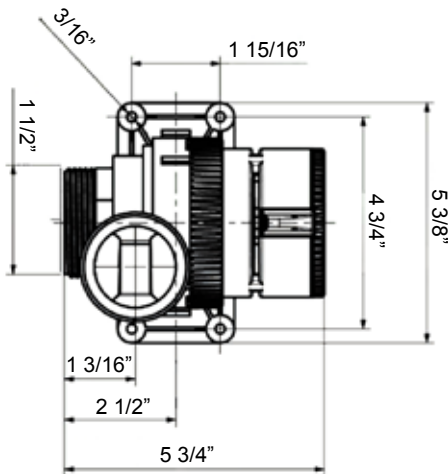
Whisper quiet, less than 50 db.

Weight:

Lightweight construction weighs less than 4lbs.

Materials of Construction (Wetted Parts)

Part	Materials
Pump Housing	Polyphenylene Oxide (PPO)
"O" Ring	EPDM or Viton
Impeller	Polyphenylene Oxide (PPO)
Bearing	Carbon/Allumina Ceramic
All Other Wetted Parts	316 Stainless Steel or Plastic



ITT
3878 S. Willow, Suite 104
Fresno, CA 93725
Tel: (559) 265-4730 (800) 554-6853
Fax: (559) 265-4740 (800) 453-7523
www.lainginc.com



Engineered for life