

Robot Pool Cleaner by Maytronics

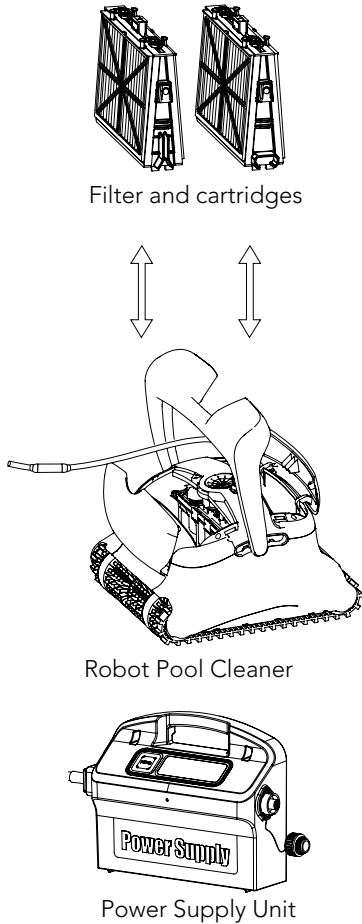
EN User Instructions



MTC8-UNI

8152080

What You'll Find Inside the Box

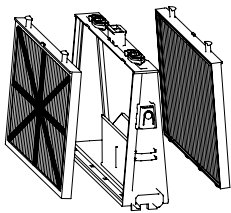


Part	X	Comment
Base frame for filter elements	2	
Ultra-fine filter	4 Filter	
Bag for filters storage	1	
Spring filter	4 Filters	
"S" clip	4	
Power supply unit	1	
Robot pool cleaner	1	
Remote control unit (RCU)	1	
Caddy kit	1	
Optional components available on request from your robot pool cleaner distributor		

Section 1 - Description of Main Components

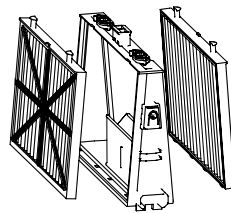
1. Filters

Dual-level filtration system.



Spring filter + base frame

For dirty pools with large debris such as leaves etc. - Useful for beginning of season.

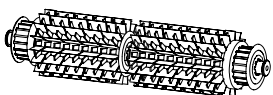


Ultra-fine filter cartridge + base frame

For day-to-day use.
Factory default.

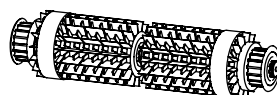
2. Brushes

There are three types of optional brushes, each designed to provide optimal traction on different pool surfaces. Only one type set is provided with your robot pool cleaner.



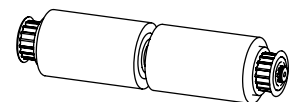
PVC Brush

For concrete, PVC, fiberglass and liner.



Combined Brush

For rough ceramic surface and mosaic tiles.



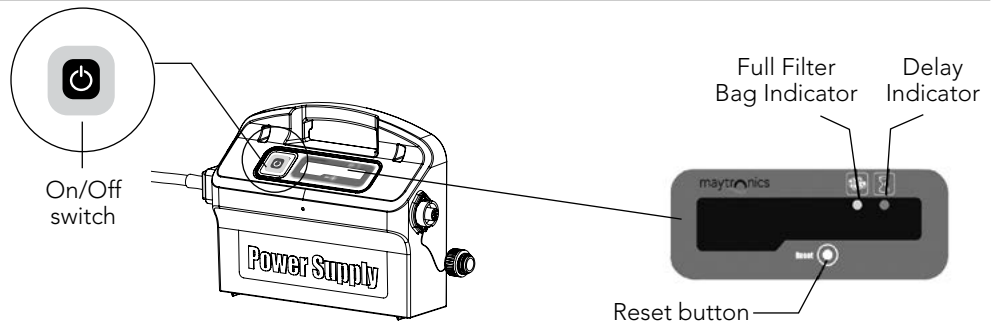
Wonder Brush

For smooth ceramics.

3. Power supply unit

Digital, "Switch-Mode" power supply:

- Input - 100 VAC - 250 VAC
- 50 Hz - 60 Hz
- 180 W
- Output - <30 VDC
- IP54



Section 2 - Robot Pool Cleaner Operation

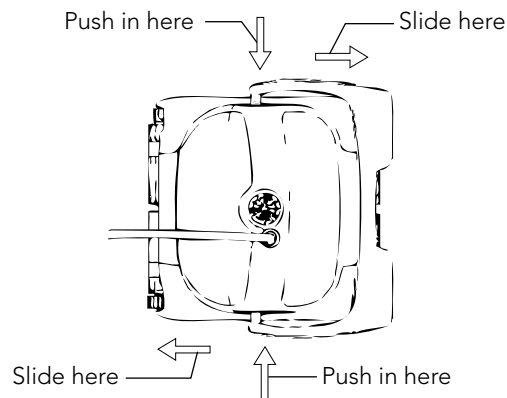
Part 1 - Preparing the Robot Pool Cleaner for Use

A. Assemble the Caddy kit - you will find the instructions in a separate document

B. Adjusting the handle float angle

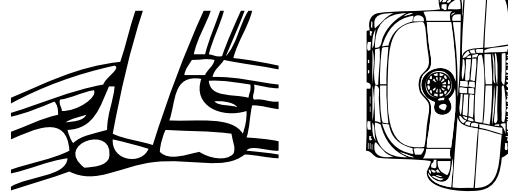
The handle angle must be adjusted to determine the speed that the robot pool cleaner advances along the water-line.

1. Lay the handle down at an angle of 180° to the ground.
2. Push the base of the arm into the body of the robot pool cleaner and slide it towards the rear of the robot pool cleaner until it clicks into the required position.



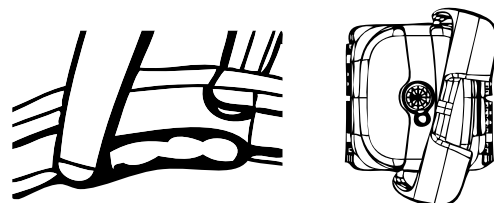
Normal advance

More efficient cleaning action on water-line.



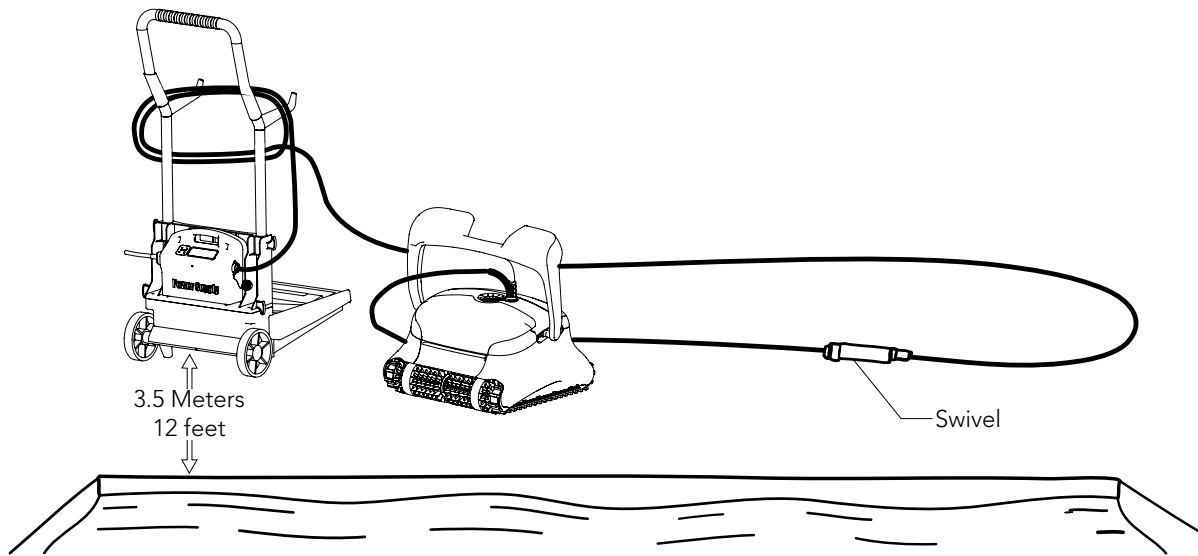
Fast advance

Fast speed - For faster but less efficient cleaning action on water-line.



C. Laying out the cable

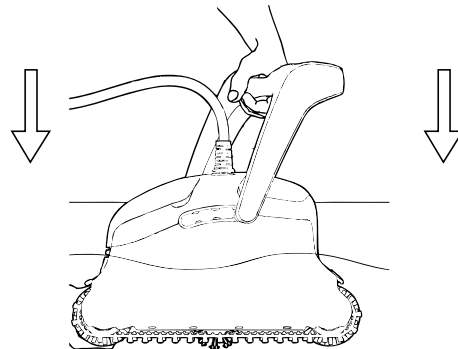
Unwind minimal required cable to cover the entire pool size, straight the cable along the pool side. Make sure there are no twists or kinks.



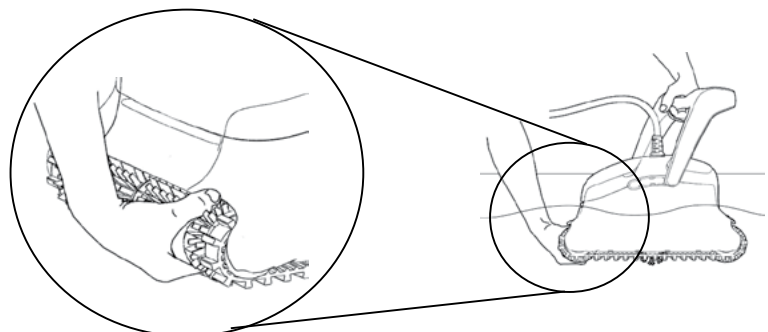
- ⚠ **Only use the original supplied Power supply Unit.**
- ⚠ **The Power supply Unit is Splash proof - Do not immerse it in water.**
- ⚠ **Unplug the Power Supply Unit before any servicing activity.**
- ⚠ **Do not plug the Power Supply Unit in before placing the pool cleaner in the water.**
- ⚠ **Ensure the mains outlet is protected by a ground fault interrupter (GFI) or an earth leakage interrupter (ELI).**
- ⚠ **Important: DO NOT enter the swimming pool while the pool cleaner is working.**
- ⚠ **Keep the Robotic Pool Cleaner out of the reach of children or persons with reduced physical, sensory, or mental capabilities, or lack of experience and knowledge, unless they have been given supervision or instruction.**

Part 2 - Into the water

Place the robot pool cleaner into the pool and release the handle.

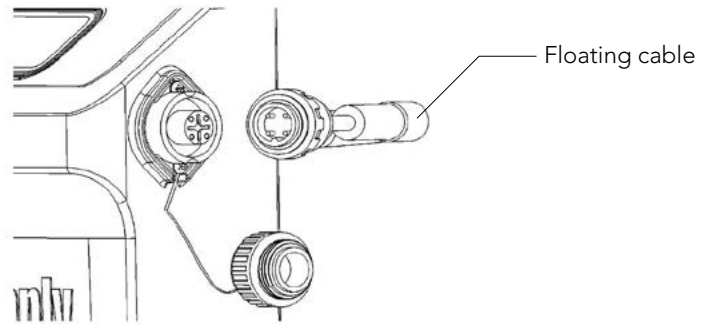


Note: When using the combined brushes or Wonder brushes, gently squeeze the Wonder brush material until it is totally wet.

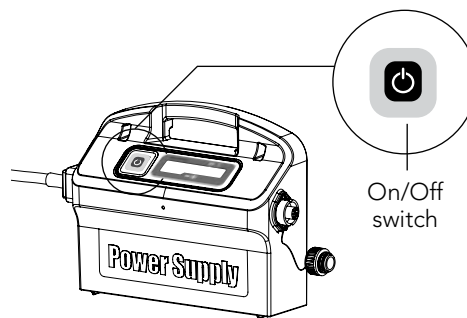


Turning the Robot Pool Cleaner ON

1. Plug the floating cable from the robot pool cleaner into the power supply unit.
2. Plug the electrical cable from the power supply unit into the mains.



3. Press the ON/OFF switch on the power supply unit.
4. The robot pool cleaner will now start to work.

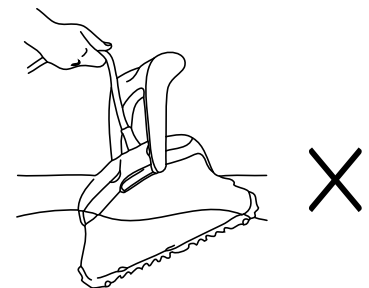
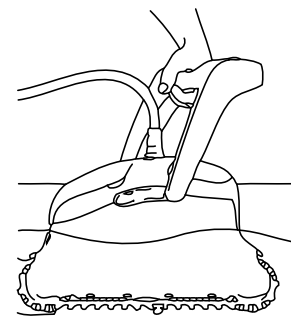


! Important: DO NOT enter the swimming pool while the pool cleaner is working.

Part 3 - Taking the Robot Pool Cleaner out of the water

! Unplug power supply before any servicing activity.

1. If the robot pool cleaner has not finished its cycle, turn off the power supply unit and unplug the mains.
2. Pull the floating cable gently until the robot pool cleaner has risen to the surface, then lift by the handle.

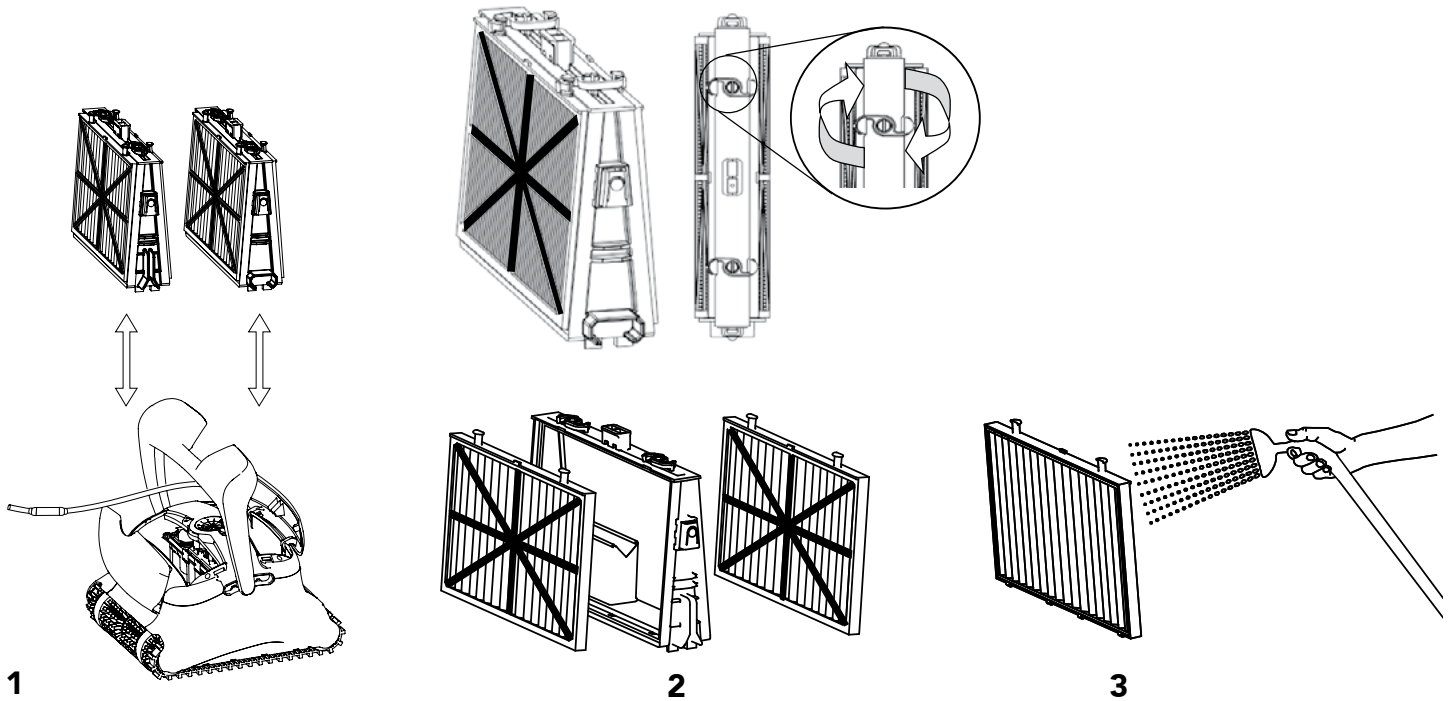


Important: Do NOT lift the robot pool cleaner from the water by its cable.

Section 3 - Routine Maintenance

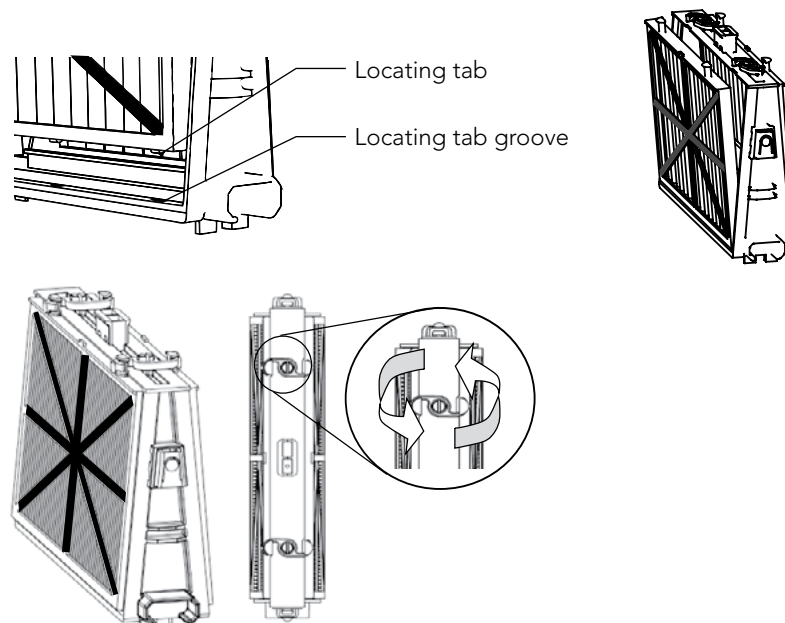
Part 1 - Extracting and cleaning the filter elements

⚠ Unplug power supply before any servicing activity.

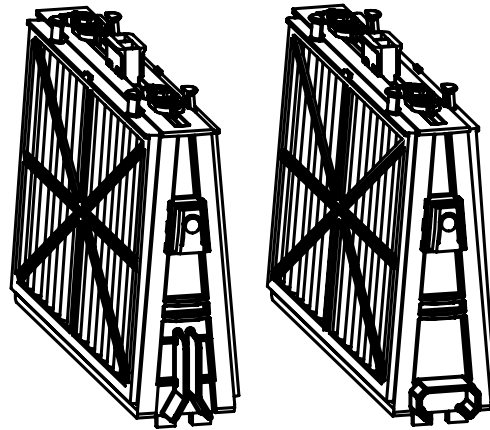


Reassembling the filter elements

Insert the locating tabs at the bottom of the filter element into their grooves on the base frame, then close the "S" clip.



Reinstall the filters according to the diagram
DO NOT FORCE THE FILTERS INTO PLACE.



Grooved end fitting Octagonal end fitting

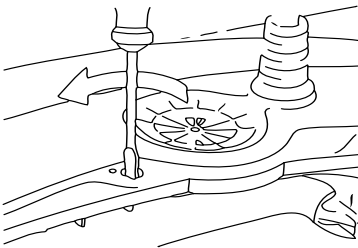
Important: Where applicable, you must reset the full filter bag indicator on the power supply unit.

Recommendation: Rinse all brushes with clean water after each cleaning cycle.

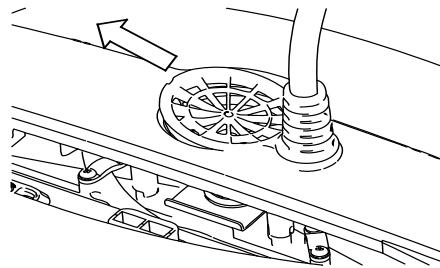
Part 2 - Dismantling and cleaning the impeller

⚠ Unplug power supply before any servicing activity.

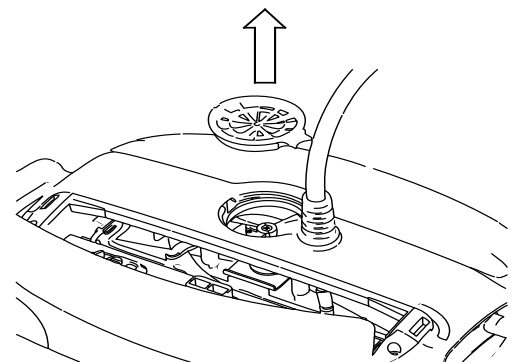
Dismantle the impeller cover and clean around the impeller housing, then reassemble.



1



2



3

Section 4 - Storage Advice

Coil the cable and store in dry cool area - Preferably on the Caddy if available.

- ✗ Do NOT store the robot pool cleaner exposed to direct sunlight.
- ✗ Do NOT store the robot pool cleaner exposed to excessive heat.
- ✗ Do NOT store the robot pool cleaner exposed to frost.

Troubleshooting Guide

Before contacting your Robot Pool Cleaner distributor please read through this guide.

The pool water condition must be within the following parameters:

pH: 7.0 - 7.8	NaCl: 5000 ppm max.
Temperature: 6°C - 35°C (43°F - 95°F)	Chlorine: 4 ppm max.

Symptom	Solution
Cable twisting or cable coils up	Check for any obstruction in the pool
	Remove excess cable from the pool
	Make sure filter cartridge is clean
	Straighten cable and lay it in the sun periodically
Robot pool cleaner is moving in circles or does not reach all pool areas	Check for foreign objects in moving parts
	Make sure filter elements are clean and that the filter doors are closed
	Make sure that there is enough cable laid out to cover the whole pool
	Before using the robot pool cleaner at the beginning of the season you should brush any algae from the floor and walls of the pool
Robot pool cleaner is not traveling sideways on walls	Adjust the diagonal angle of the handle
Robot pool cleaner does not climb walls	Make sure the filter cartridge is clean
	If using the robot pool cleaner at the beginning of the season, use the Spring cartridge
	If using the robot pool cleaner at the beginning of the season you should first brush any algae from the floor and walls of the pool
	Check if brushes are suitable for pool coating and replace them if necessary
	Check if brushes are worn and replace them if necessary
	Make sure the Impeller area is clean
	Check that the RCU is set for climbing
Robot pool cleaner not sinking	Make sure the Wonder brushes or the combined brushes are soaked in water
Robot pool cleaner disengaging from wall at water line	If robot pool cleaner climbs too high consult your robot pool cleaner distributor
RCU is not working	Check if the batteries need replacing
Motor is not working	Check if the impeller is blocked
	Check if the drive system is blocked
	Electrical problem (power supply), check power source. If power source is in order, please contact your robot pool cleaner distributor

Additional troubleshooting is available at our Website:
www.maytronics.com

Robot Pool Cleaner by Maytronics

8152080