



## Clearly Superior

For unsurpassed water clarity, choose Jandy's DEV Series of Diatomaceous Earth Versa Plumb™ filters. DEV filters have a curved grid design that creates balanced water flow throughout the filter tank. They accommodate three types of backwash valves: Multiport, Slide and the Jandy NeverLube® Backwash Valve. The DEV Filters are designed to easily connect with other Jandy equipment via Jandy's exclusive Versa Plumb™ system. They are constructed of durable, corrosion-resistant, heavy duty high-tech polymeric materials for long-lasting performance. DEV filters feature easy grip handles and a unique pressure gauge/air release valve. Available in either 48 or 60 square foot models.

### *Micro-Clear Filtration!*

#### ERGONOMIC EASY GRIP HANDLES



The Jandy DEV Filters feature comfortable, easy grip handles designed to make filter installation and cleaning easy.

#### PRESSURE GAUGE/AIR RELEASE VALVE



The Jandy DEV Filters include a unique pressure gauge with a clean/dirty indicator that can be customized for each pool, making it easy to assess filter condition.

#### EXTRA LARGE 2 INCH DRAIN



The extra large drain port on the DEV filter allows for easy cleaning of debris. Universal unions on the filter will fit most Jandy products.

#### OPTIONAL ANCHOR BRACKET

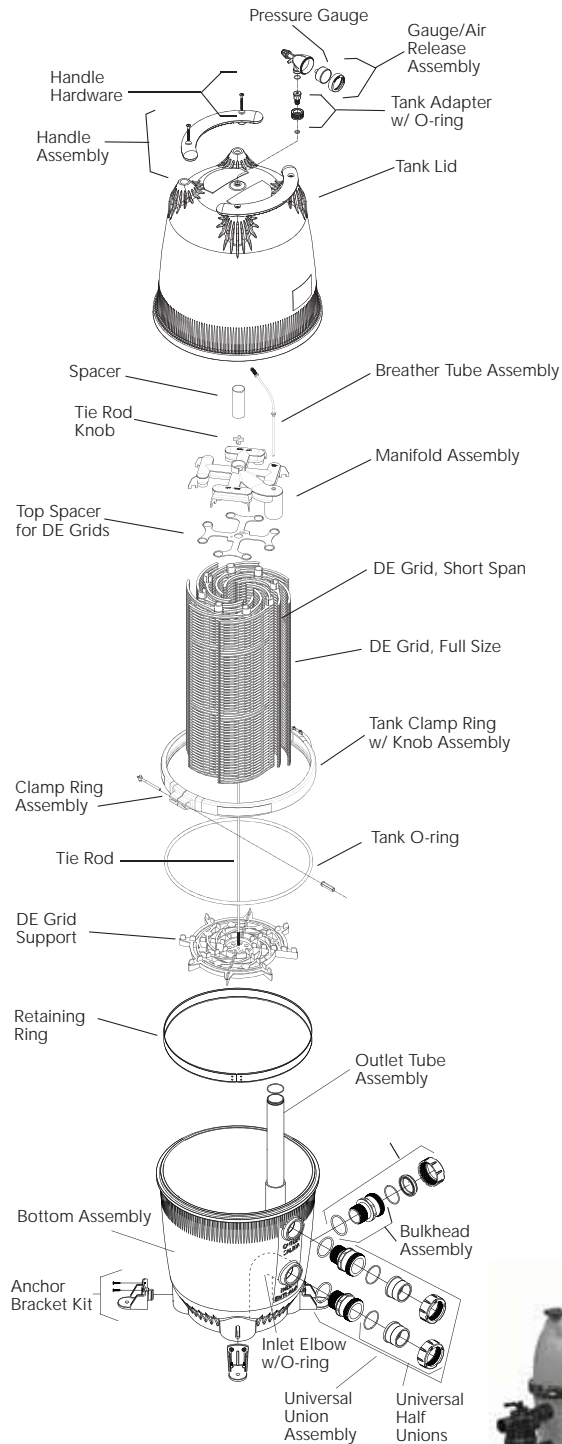


Optional anchor brackets easily attach to the filter tank and mount to the pad to hold the filter securely in place. These brackets are sold separately as an accessory.

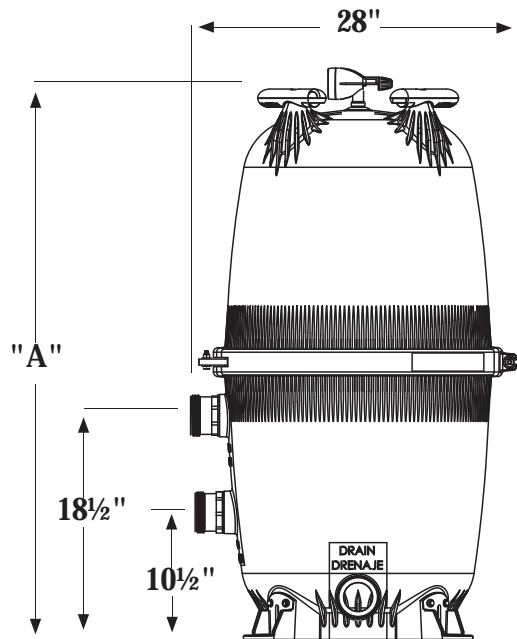


# DEV Filters — Sparkling Clear Filtration

The combination Pressure Gauge/Air Release Valve can be positioned 360° for easy viewing and the Clean/Dirty indicator can be customized for each pool to make it easy to assess filter condition.



## DEV DIMENSIONS



Specifications for Jandy DEV Filters		
MODEL NUMBER	DEV48*	DEV60*
Filter Area	48ft <sup>2</sup>	60ft <sup>2</sup>
Design Flow Rate	2.00 gpm/ft <sup>2</sup>	2.00 gpm/ft <sup>2</sup>
Maximum Flow	96 gpm	120 gpm
Six Hour Capacity	34,560 gallons	43,200 gallons
Maximum Working Pressure	50 psi	50 psi
D.E. Required	5.0 lbs	6.0 lbs
Shipping Weight	88 lbs	103 lbs
Height (A)	41 inches	47 inches
Footprint	25" diameter circle	25" diameter circle
Distance Between Inlet and Outlet	8 inches	8 inches

\* Jandy DEV Filters supersede Jandy DEL Filters



**ALL JANDY PRODUCTS WORK SEAMLESSLY TOGETHER**

Jandy Control Systems manage our complete line of technologically advanced products.



Pumps • Filters • Heaters • Heat Pumps  
 Controls • Lights • Water Purification • Valves  
 Water Features • Water Leveling • Cleaners • Accessories

1.707.776.8200 • www.jandy.com • info@jandy.com • ©2008 Jandy Pool Products, Inc.