

**ASTRALPOOL**



## Cantabric pool & spa sand filter

The extensive range of Cantabric filters is considered to be one of the longest lasting filter series available on the market, offering optimal performance and cost-efficiency. Manufactured in die-cast thermoplastics, the two halves of the filter are subsequently solvent-welded and fitted with collectors and diffuser of inalterable plastic to achieve full anti-corrosion protection with virtually no maintenance. Nevertheless, one of the main characteristics of these filters is the innovative design used to achieve a unique product within the AstralPool filter range.

In order to provide adequate filtering for large private pools, Cantabric filters are available in diameters up to 900 mm that can withstand high flow rates of water without reducing the filtration rate to keep pool water crystal-clear.



**Cantabric**

# AstralPool's Cantabric series pool & spa filters



### Functionality

The advanced technology developed for the Cantabric filters offers extraordinary reliability in operation with low maintenance, allowing the filters to run safely with optimal pool filtering for many years. The equipment also includes the AstralPool 6+1 multiport valve with filter, backwash, rinse, recirculate, waste, and closed positions.

### Easy to drain

No lost sand, thanks to a manual bleeder valve for water in the sand purge plug.

### Innovative design

Apart from functionality, AstralPool is concerned with creating a new image for its Cantabric filters, an approach that has led to a product with an attractive, unique design based on the use of an ivory tone and an innovative shape, while also focusing on adaptability to the needs of location.

### Extensive range

Cantabric filters provide an ideal solution for a wide variety of pool sizes, as they meet the filtering needs of pools between 30,000 and 240,000 litres with flow rates of 100 lpm to 500 lpm.

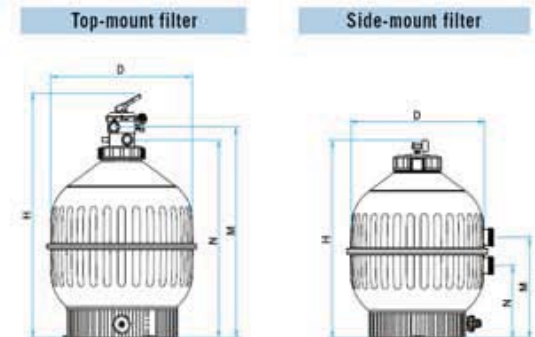
### Characteristics:

- Available with side mount or top mount, to adapt to the particular characteristics and available space at each pool site.
- Filter body manufactured of chemical-resistant, weatherr esistant, inalterable plastic. Designed for outdoor use.
- Standard equipment with 1 1/2", 6+1 multiport valve from AstralPool for the 600-mm diameter or 2", 6+1 multiport valve for 750-mm diameters, and 2", 6+1 multiport valve for 900-mm diameters, with bayonet closure for filter, backwash, rinse, recirculate, waste, close, and winter operations (all inlets and outlets are connected).
- Transparent lid for easier visual inspection and access to the inside of the filter in side-mount valves.
- Collector and diffuser for continuous operation.
- Manual bleeder valve for purging air inside the filter, if necessary.
- Built-in manual bleeder valve for water of 3/4" in the sand drain plug of the filter for easier drainage without losing sand.
- Sand drain: 1 1/2" for 600-mm diameter and 2" for 750-mm.
- Built-in collector at the bottom to ensure balanced flow and filter backwash.
- Pressure gauge to control filter backwash.
- Built-in base in the lower half of the filter, with holes for correct anchoring to the floor.
- Extra-large 225-mm manhole for easier handling and loading of sand in 900-mm diameters. The upper manhole is 177 mm in the rest of the range.

In fact, the features of this filter make it the best alternative for meeting the filtering needs of any private pool. As proof of its quality the equipment has a ten-year warranty for the tank and a three-year warranty for inner components against all defects of workmanship. The Cantabric filter is manufactured of recyclable polypropylene for better conservation of the environment.

Available from:

	A Filtro top A Top-mount filter		B Filtro lateral B Side-mount filter		
	600 TM	750 TM	600 SM	750 SM	900 SM
Ø D	600	750	600	750	900
H	1069	1250	875	1045	1215
M	894	1098	445	575	675
N	830	1023	320	345	405
Connections	1 1/2"	2"	1 1/2"	2"	2"
Flow rate (lpm)	240	350	240	350	500
Pool approx. m <sup>3</sup>	112	168	112	168	240
Filter sand in kg	150	300	150	300	550
Net weight, in kg	15	25	14	24	34
Packing volume, in m <sup>3</sup>	0,49	0,83	0,4	0,67	1,3



www.hurlcon.com.au  
or sales@hurlcon.com.au

**Melbourne Office:**  
Ph: 03 9765 9700  
Fax: 03 97645 9770

**Sydney Office:**  
Ph: 02 9853 2100  
Fax: 02 9853 2170

**Brisbane Office:**  
Ph: 07 3308 5400  
Fax: 07 3308 5470

**Gold Coast Office:**  
Ph: 07 5552 2600  
Fax: 07 5552 2670

**Adelaide Office:**  
Ph: 08 8349 2500  
Fax: 08 8349 2570

**Perth Office:**  
Ph: 08 9350 2600  
Fax: 08 9350 2670