

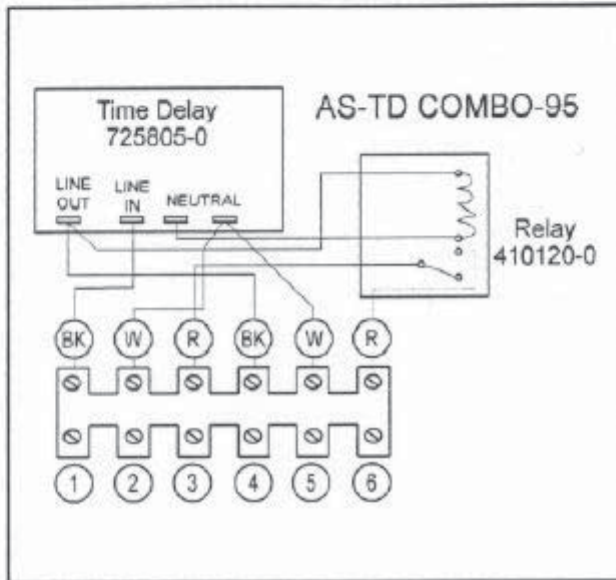
**DESCRIPTION:** The AS-TD COMBO-95 is a dual voltage safety air switch control with an internal 10-minute time delay. It is designed to operate a variety of equipment such as single-speed pumps, blowers, lights, etc. using one air button. Typical installations are illustrated below.

**INPUT SERVICE RATING:** 120VAC, 1HP, 50/60 Hz 2 Wire Plus Ground  
 240VAC, 2HP, 50/60 Hz 3 Wire Plus Ground\*  
 \*Neutral Wire is required.  
 16 AMP Maximum Running Load.

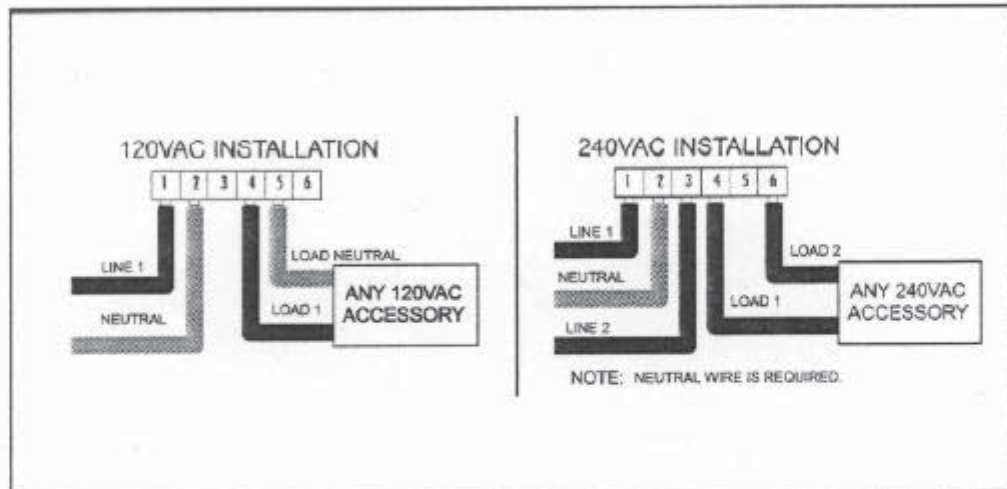
**OPERATION:**

1	2
Equipment Off	Equipment On for 10 minutes (return to sequence 1)

**INTERNAL SCHEMATIC:**



**POWER SUPPLY AND EQUIPMENT INSTALLATION:**



**NOTE:** Ground connections are not shown and vary with installations.

**CAUTION:** USE COPPER CONDUCTORS ONLY. Do not lubricate relays. All LEN GORDON CO controls must be installed by a licensed electrician according to these instructions.

**READ AND SAVE THESE INSTRUCTIONS**