

Artisan Series

Designer Inspired Rails

The Artisan Series is a patent pending designer inspired rail line that provides an elegant custom look for any pool environment. They are the ideal choice for pool renovation projects.

- Tubing: 1.90" OD
- Wall Thickness: .065"
- Stainless Steel: 304 or 316L Marine Grade* (add -MG to part number)
- Treads (Ladder Only): LTDF-103 Stainless Steel
- Options: Powder-coating available
- Recommended anchors: AS-100P or AS-100B (order separately)
- Recommended escutcheon: EP-100F (order separately)

* Minimum requirement for salt pools is 316L Marine Grade.



ART-1001



ART-1002



ART-1003



ART-1004



ART-1005

Model No.	Description	Shipping			
		Weight	Length	Width	Height
ART-1001S	Hand Rail (single)	15 lbs	46"	39"	2"
ART-1001	Hand Rail (pair)	30 lbs	46"	39"	5"
ART-1002	Stair Rail (single)	25 lbs	84"	70"	2"
ART-1003	Ladder	40 lbs	78"	41"	2"
ART-1004	Deck-Mounted Stair Rail (single)	20 lbs	78"	41"	2"
ART-1005	Deck-Mounted Hand Rail (pair)	40 lbs	78"	41"	5"

Elegant retrofit for standard rail models:

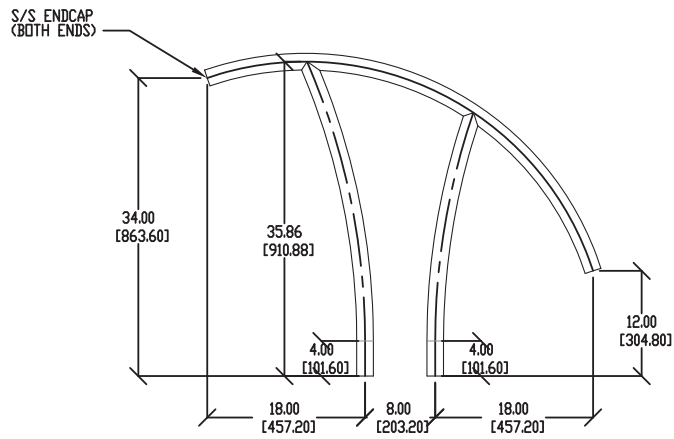
Model No.	Artisan Model	Easily Replaces
ART-1001	Hand Rail	Figure 4
ART-1002	Stair Rail	5' 2-Bend or 5' 3-Bend Stair Rails
ART-1003	Ladder	24" 3-Step Ladder
ART-1004	Deck-Mounted Stair Rail	DMS-100, 101, 102 & 103
ART-1005	Deck-Mounted Hand Rail	Deck Mounted Rail 50-902

Ask about our Meridian Series Designer Rails

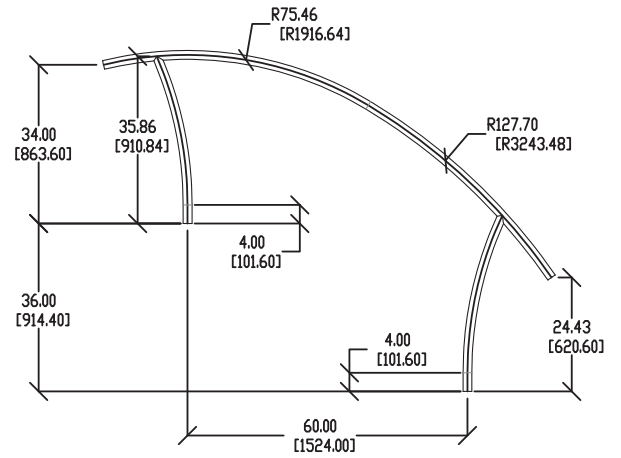
Artisan Series

Designer Inspired Rails

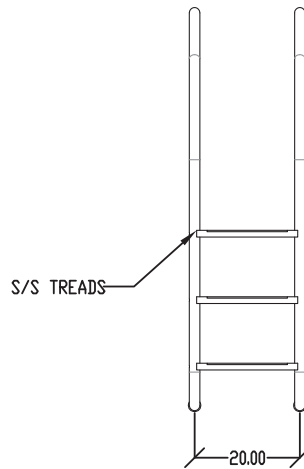
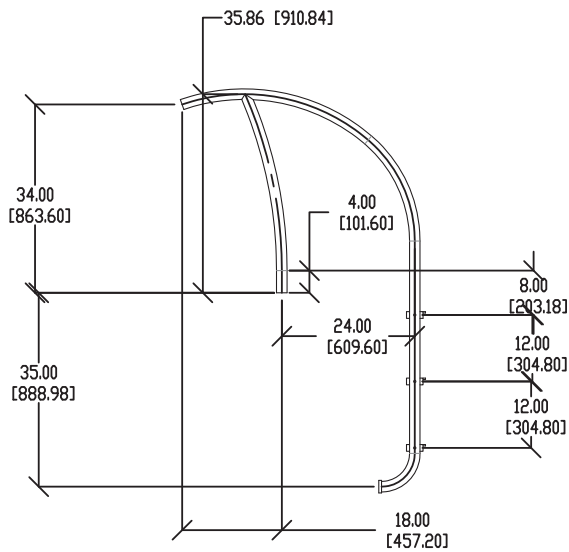
Hand Rail



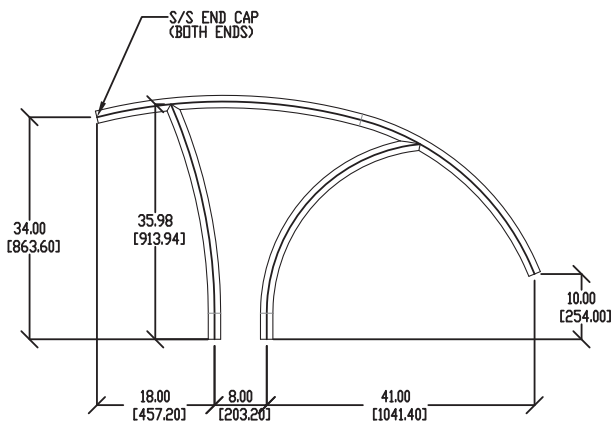
Stair Rail



Ladder



Deck-Mounted Stair Rail



Deck-Mounted Hand Rail

