



Pool Filters - In-Ground & Above Ground / ProClean Plus

FEATURES:

- NSF Listed
- 2" FPT inlet and 2" or 2 1/2" S outlets for more flow
- Raised inlet for clean easy plumbing
- Waterway's Safety Lock Ring System for fast, easy access to filter internals
- Lid lock-ring handle makes removing the lid easy and safe
- Internal design for more dirt holding capacity for longer cleaning cycles
- Drain plug is 1"

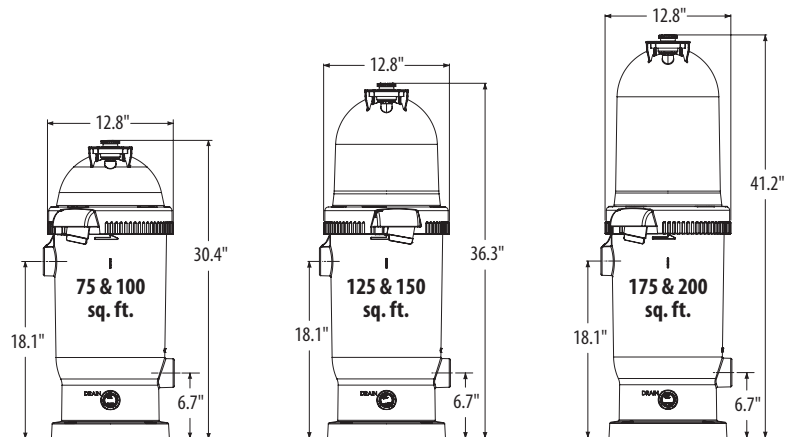
Designed for in-ground installations, the ProClean Plus Cartridge Filter has a raised inlet for clean easy plumbing from the pump. Molded of ABS thermoplastic, the ProClean Plus Cartridge Filter will provide years of dependable service.



With 1" Threaded Drain Port!

Easy access in-ground cartridge internals
 Raised 18" Inlet for clean 90° plumbing from pump
 Lock-Ring has handles for easy removal of lid

For replacement parts, see page 314.
 For equipment bases, see page 55.



ProClean Plus Single Cartridge Filters

Part No.	Size	Flow Rate	Pool Turnover (6 hrs.)	Pool Turnover (8 hrs.)	Weight (lbs.)	List (US \$)
PCCF-075	75 sq. ft.	75 GPM	27,000	36,000	21	596.57
PCCF-100	100 sq. ft.	100 GPM	36,000	48,000	24	717.56
PCCF-125	125 sq. ft.	125 GPM	45,000	60,000	24	878.28
PCCF-150	150 sq. ft.	125 GPM	45,000	60,000	25	1,019.13
PCCF-175	175 sq. ft.	125 GPM	45,000	60,000	28	1,144.55
PCCF-200*	200 sq. ft.	125 GPM	45,000	60,000	28	1,266.77

*Ideal for longer cleaning cycles