



**POWER Defender 270**  
VARIABLE SPEED PUMP

Model #: PD-VSC270



*Comes complete with 2 Swivel Union Assemblies & Adjustable Base Kit  
Great for precise alignment and plumbing versatility!*

**FEATURES:**

- Pump is pressure testable up to 50 PSI
- User-Friendly programming
- Optional off-board mounting of controls.
- Ability to install and program additional load (booster pump, chlorine generator)
- Display is easy to view in any light
- 2" Swivel Unions (included)
- Compliant with all energy legislation. Meets Title 20 & Title 24 regulations
- Super quiet operation
- Built-in freeze protection
- Silicone carbide seals



Built-in Programmable User Interface with Timer

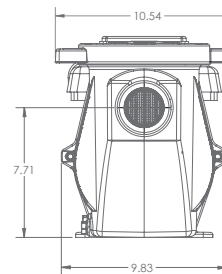
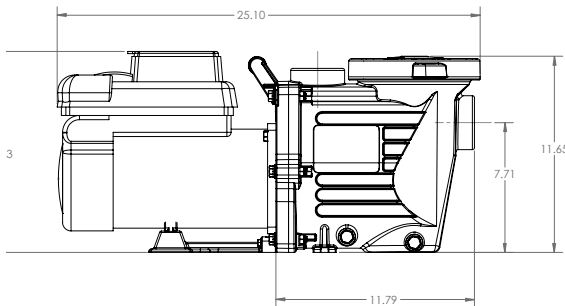
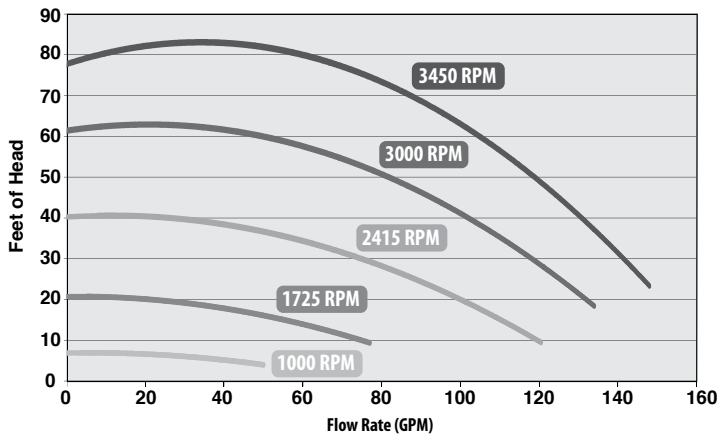
For replacement parts, see page 280.  
For unions, see page 58.



Adjustable Base included. Ideal when replacing or plumbing Sta-Rite, Hayward or Pentair pumps in the field.

675-1380 See Page 55.

**Power Defender 2.7 HP Pump - Performance Curves**



Smart **energy solutions** for the Pool & Spa industry.

**Power Defender 270 - Variable Speed Pump**

Part No.	Description	Volts	HP	Weight (lbs.)	List (US \$)
<b>PD-VSC270</b>	Power Defender 2.7 HP Variable Speed Pump	230	2.7 Total HP	60	2,781.46