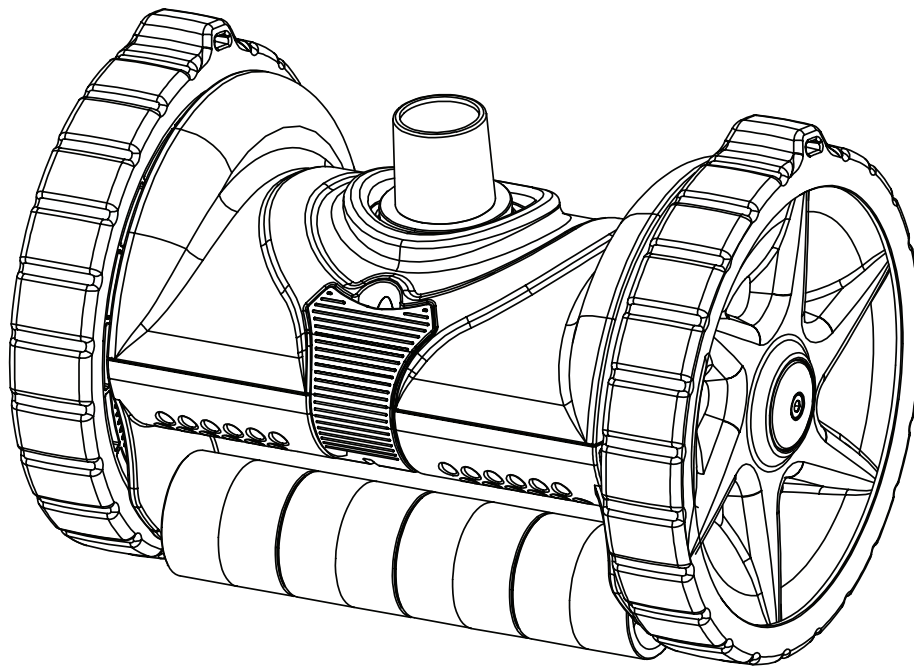




KREEPY KRAULY® WARRIOR™

SUCTION SIDE POOL CLEANER



INSTALLATION AND USER'S GUIDE

IMPORTANT SAFETY INSTRUCTIONS
READ AND FOLLOW ALL INSTRUCTIONS
SAVE THESE INSTRUCTIONS

ENGLISH 1

ESPAÑOL 13

FRANÇAIS 29

CUSTOMER SERVICE / TECHNICAL SUPPORT

If you have questions about ordering Pentair Aquatic Systems™ replacement parts and pool products, please contact:

Customer Service and Technical Support, USA

(8 A.M. to 5 P.M. — Eastern/Pacific Times)

Phone: (800) 831-7133

Fax: (800) 284-4151

Web site

Visit www.pentairpool.com or www.staritepool.com

Sanford, North Carolina (8 A.M. to 5 P.M. ET)

Phone: (919) 566-8000

Fax: (919) 566-8920

Moorpark, California (8 A.M. to 5 P.M. PT)

Phone: (805) 553-5000 (Ext. 5591)

Fax: (805) 553-5515

TABLE OF CONTENTS

Important Warning and Safety Instructions	ii	Maintenance	8
Pool Preparation	1	Removing Debris from Turbine	8
Cleaner Components	1	Tire Removal	9
Assembling the Cleaner	2	Tire Replacement	9
Hose Assembly	2	Troubleshooting	10
Installing the Cleaner	3	Replacement Parts	11
Standard Installation	3		
Vacuum Line Installation	4		
Adjusting Flow with the Flow Gauge	5		
Calculating Cleaner RPM Without the Flow Gauge	5		
Cleaner Adjustments and Operation	6		
Hose Length	6		
Return Line Water Flow	7		
Installing the Eyeball Diverter	7		
Eyeball Diverter Positions	7		

IMPORTANT WARNING AND SAFETY INSTRUCTIONS



Important Notice:

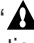
Attention Installer: This guide contains important information about the installation, operation and safe use of this product. This information should be given to the owner and/or operator of this equipment after installation of the pool cleaner.

Attention User: This manual contains important information that will help you in operating and maintaining this pool cleaner. Please retain it for future reference. Consult Pentair with any questions regarding this equipment.

WARNING

Before installing this product, read and follow all warning notices and instructions which are included. Failure to follow safety warnings and instructions can result in severe injury, death, or property damage. Call (800) 831-7133 for additional free copies of these instructions.

Consumer Information and Safety

This pool cleaner is designed and manufactured to provide many years of safe and reliable service when installed, operated and maintained according to the information in this manual. Throughout the manual, safety warnings and cautions are identified by the “” symbol. Be sure to read and comply with all of the warnings and cautions.

WARNING

HAZARDOUS SUCTION.

Do not play with cleaner or hose or apply to body. Can trap and tear hair or body parts. Hose can trip or entangle swimmers which could result in drowning.



WARNING

SUCTION ENTRAPMENT, INJURY, AND DROWNING HAZARD. If your pool has a dedicated suction port (“vac port”) for vacuuming or for an automatic pool cleaner, it must be covered when not in use. A spring loaded safety cover (a “vac port fitting”) is included with your cleaner. Install it on the suction port to prevent entrapment and injury. If the cover provided does not fit, purchase one that does from your local pool store and install it instead. The cover should conform to IAPMO SPS4-99A.



WARNING

Stop pump before attempting to clean unit. Do not allow swimmers in pool while pool cleaner is operating.

WARNING

To reduce the risk of injury, do not let children use or play with pool cleaner.

WARNING

Do not allow swimmers in the pool while pool cleaner is operating. Hose can trip or entangle swimmers which could result in drowning.

CAUTION

Moving parts may injure hands or fingers. Stop pump before attempting to clean out pool cleaner head.



General Installation Information

Pre-Installation Check List

Before installing your cleaner, review and understand all warnings and safety information in this guide. Failure to follow these instructions or improper installation of the cleaner can result in damage to the pool finish or the vinyl liner, Pentair Water Pool and Spa, Inc. disclaims any liability for repairs or replacement to any of these structures or components of the customer’s pool.

Before installing the cleaner in a vinyl liner pool:

Check liner closely for signs of deterioration or damage from age, chemicals, pool wall damage, etc. If any damage is found, have a qualified pool professional make all the necessary repairs. Also, if there are stones, roots, etc., under the liner, remove them before installing the cleaner.

Before installing the cleaner in a gunite pool or a pool that is partially or completely tiled:

Repair loose tiles and tighten any loose light rings.

Before installing the cleaner, clean your filter system:

Make sure you have cleaned the filter, including backwashing, rinsing, and emptying all baskets. A clean system is necessary for proper cleaner operation and coverage.

Before installing the cleaner, understand cleaner coverage:

The cleaner is designed to rid your pool of debris in approximately 4-6 hours. Less time could be needed, depending on the pool size. The cleaner was not designed to automatically clean steps or swimouts or to work under a solar cover. It was also not designed to do initial cleanup for a new pool or when opening your pool for the season.

AFTER installing the cleaner, make sure the cleaner is operating correctly:

The cleaner may need some minor adjustments to make sure it is operating properly so there is no damage to the pool finish. Certain vinyl liner patterns are particularly susceptible to surface wear, pattern removal, ink rubbing off of, or serious scratches to the pattern caused by objects coming into contact with the vinyl surface, including automatic pool cleaners. Pentair Water Pool and Spa, Inc. is not responsible for any pattern removal, abrasions or markings on vinyl liners.

Warnings and safety instructions for Pentair Water Pool and Spa, Inc. pumps and other related products are available at:

<http://www.pentairpool.com/pool-owner/safety-warnings/> or call (800) 831-7133 for additional free copies of these instructions.

Please refer to <http://www.pentairpool.com/pool-owner/safetywarnings/> for warning and safety instructions related to this product.

IMPORTANT WARNING AND SAFETY INSTRUCTIONS

Disclaimer of Liability About your Pool and Cleaner

There are a multitude of factors that contribute to the life of your pool. The pool cleaner is a very passive product that will have no impact on pool life.

Please be aware that over time, deterioration, discoloration and brittleness of any pool finish can be caused separately by, or in combination with, age, an imbalance in pool water chemistry, improper installation and other factors. Suction side pool cleaners, such as the pool cleaner, will not remove or cause wear on "good" pool plaster. In fact, the opposite is true—pool plaster will eventually cause wear on the cleaner.

The same situation holds true for vinyl-lined in-ground swimming pools, because vinyl liners are also affected by the environment and factors such as pool water chemistry, sunlight and the pool's surroundings. Therefore over time, vinyl can become brittle and weak. In addition, vinyl-lined pools are affected by the workmanship, composition and installation of the liner and the workmanship and quality of construction of the supporting walls and pool base. These are all factors which can contribute to liner failure. The existence of any of these type of conditions in your pool is not caused by the use or operation of the pool cleaner. The manufacturer disclaims any liability for repairs or replacement to any of these structures or components of the customer's pool.

The pool owner must assume all responsibility for the condition and maintenance of the pool's surface, water and deck.

Before the cleaner is installed, please take a moment to record the serial number. This number is located under the rear handle of your cleaner. You will be asked for this number when you contact our Technical Support Department.

SERIAL # _____

SAVE THESE INSTRUCTIONS

POOL PREPARATION

Pool Preparation

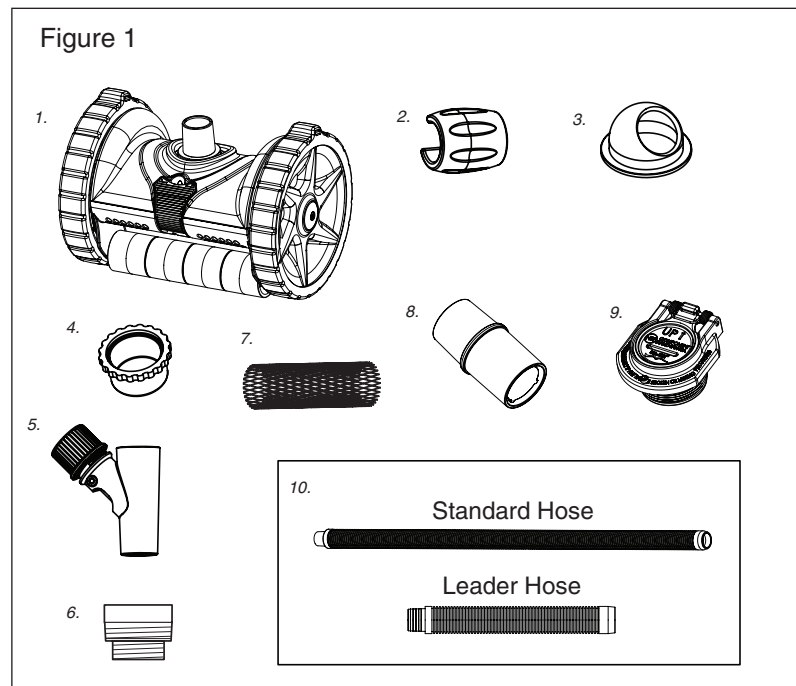
Before installing the Warrior™ Suction Side Pool Cleaner, your pool should be clean and algae-free so as to not inhibit the cleaner's traction. If necessary, make the following preparations before proceeding:

1. Chemically balance the pool water.
2. Brush pool and let the debris settle.
3. Hand vacuum thoroughly.
4. Clean filter and pump strainer basket.

Cleaner Components

Remove the cleaner and all parts from the box. Check to be sure all components are included.

1. Warrior cleaner body
2. Hose float
3. Eyeball diverters (2)
4. Valve cap
5. Regulator valve
6. Threaded compression adapter
7. Hose protector
8. Flow gauge
9. Vacuum line door
10. Hose Set – 13 Sections
 - 12 Standard Male/Female Hoses
 - 1 Leader Hose



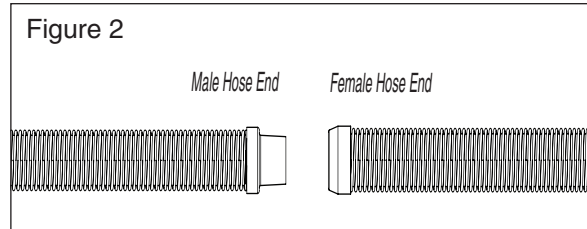
ASSEMBLING THE CLEANER

The Warrior™ Suction Side Pool Cleaner body is shipped as one piece, making cleaner assembly a simple and quick process.

Hose Assembly

For best results and to maintain proper operation, use only original Pentair parts and hoses.

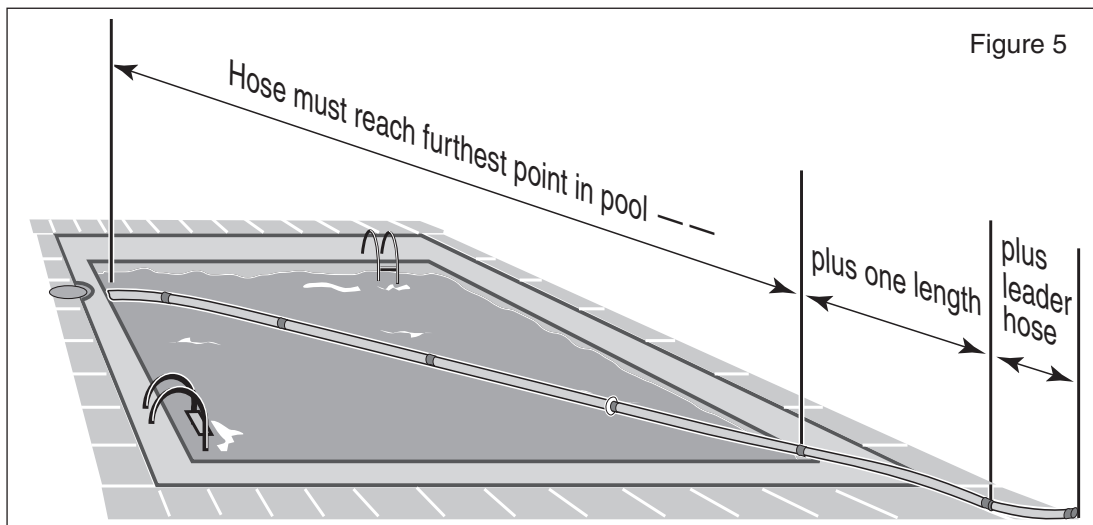
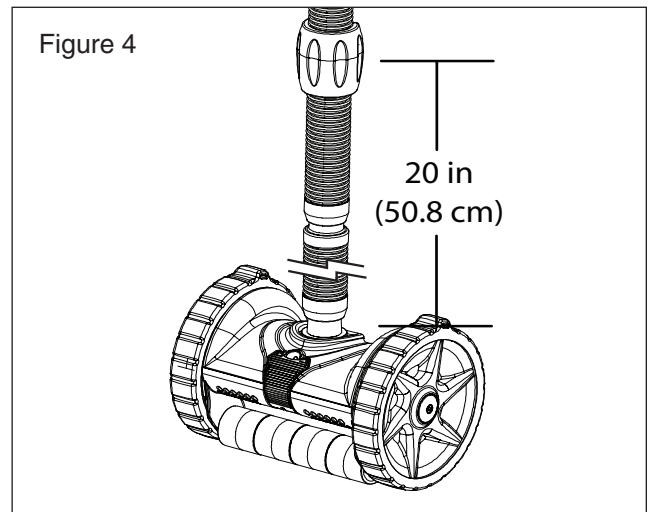
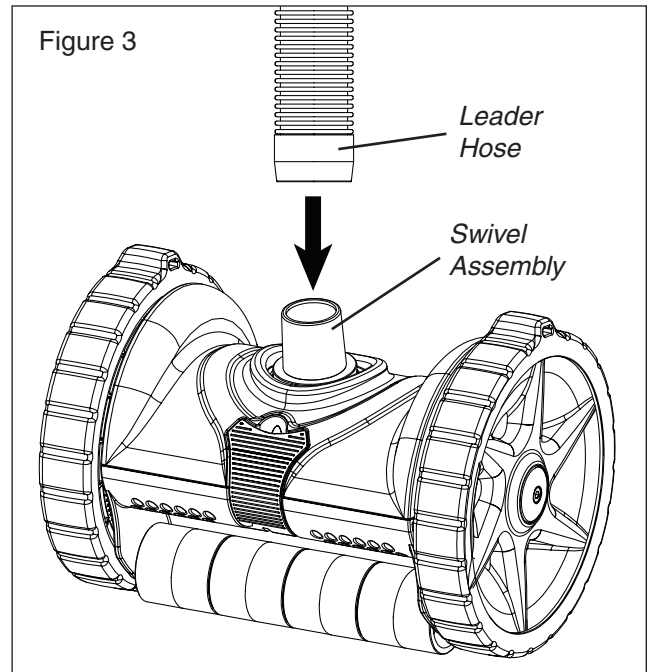
1. To connect the hose sections, wet the ends in the pool water, then twist and push the female ends onto the male ends.



2. Connect the leader hose to the cleaner swivel. See **Figure 3**.

Note: The leader hose is 12 inches (30.5 centimeters) in length and shorter than the other sections included in the hose set. The leader hose is also marked with a red sticker. Failure to use this leader hose section will hinder cleaner performance

3. The hose should reach from where the cleaner is connected to the farthest point of the pool, plus one section and the leader hose.
4. Install the hose float onto the second length of hose. The float should be placed 20 inches (50.8 centimeters) above the cleaner. See **Figure 4**.
5. Make sure that all connections are snug.
6. The overall length of hose needed will be determined by the distance from the point at which you attach the hose to the suction port to the furthest point in the pool, plus one length and the leader hose. Refer to **Figure 5**.



INSTALLING THE CLEANER

Standard Installation

The Warrior™ Suction Side Pool Cleaner is designed to work in a wide variety of swimming pools. Both the standard in-skimmer installation and optional vacuum line installation are covered in this section. Check to see which most closely fits your pool configuration and follow the directions.

Note: Depending on the particular features of your pool, the valve cap for the regulator valve may not be needed.

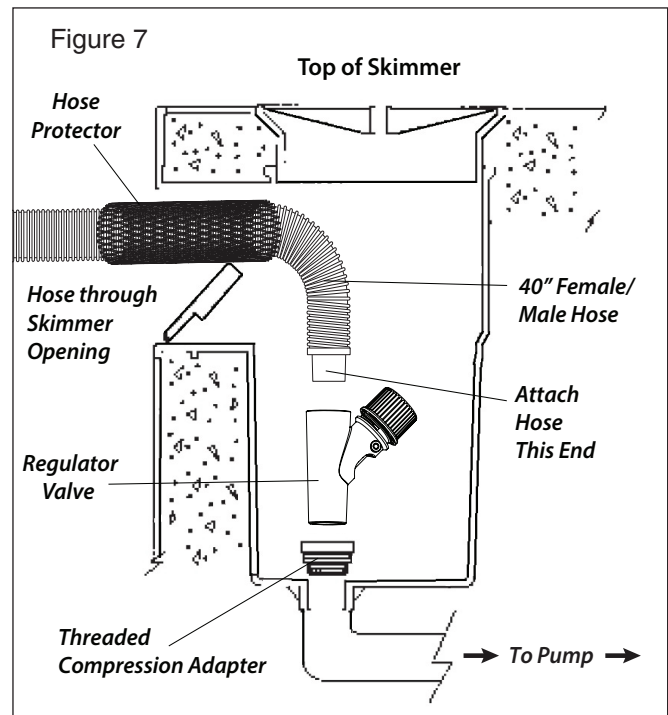
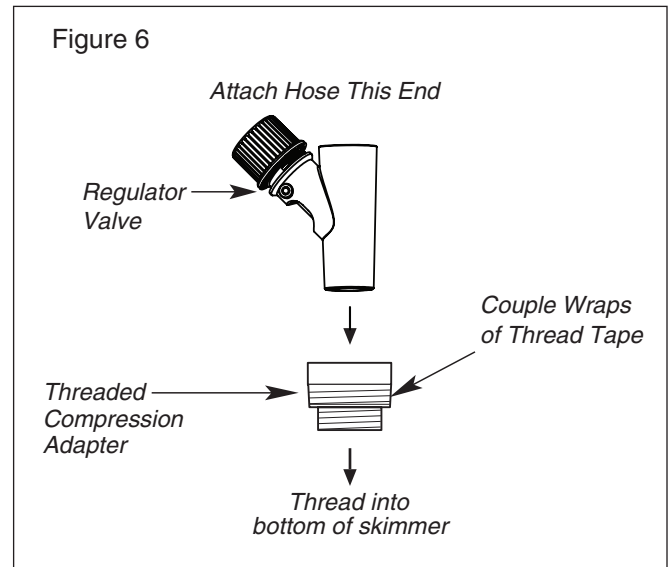
1. Turn the pool pump off.
2. Close the main drain and all suction lines, except the line from the skimmer to which the cleaner will be connected.
3. Remove skimmer basket.
4. Thread the compression adapter into the vacuum connection in the bottom of the skimmer. See **Figure 7**.

Note: Use two wraps of thread seal tape around threads to ensure easy removal.

5. Press the regulator valve into the compression adapter. The valve's adjustment knob should be pointing up.
6. Place cleaner into the pool. Turn it side to side and front to back to release any trapped air, allowing the cleaner to sink to the floor of the pool. Continue to feed the hose vertically down into the pool until it is completely filled with water and purged of air.

Note: If air is pulled into the pool plumbing it may cause your pump to lose prime.

7. Slide the hose protector into position on the hose to prevent the hose body from rubbing against the skimmer wall.
8. Insert the end of the hose through the skimmer opening and connect the hose directly onto the regulator valve. See **Figure 7**.



Optional Vacuum Line Installation

Vacuum Line Installation with Regulator Valve in Skimmer.

We highly recommend the use of the regulator valve to balance water flow between the Warrior™ Suction Side Pool Cleaner and the skimmer. Install the regulator valve in the skimmer when attaching the cleaner to a dedicated vacuum line.

1. Turn the pool pump off.
2. Close the main drain and all suction lines, except the lines from the skimmer and the suction line to which the cleaner will be connected.
3. Thread the snap-lock wall fitting into the end of the dedicated suction line.

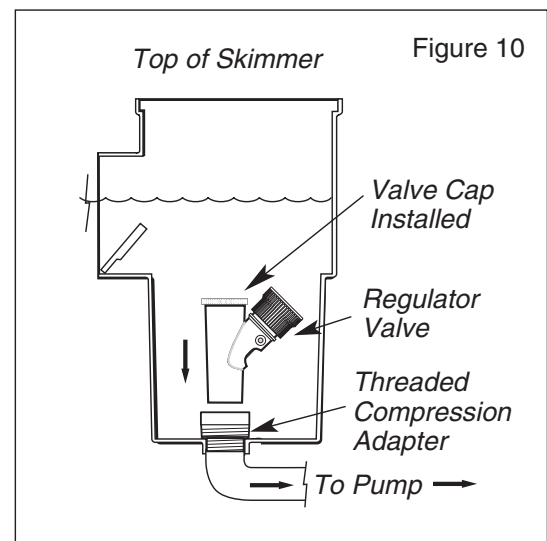
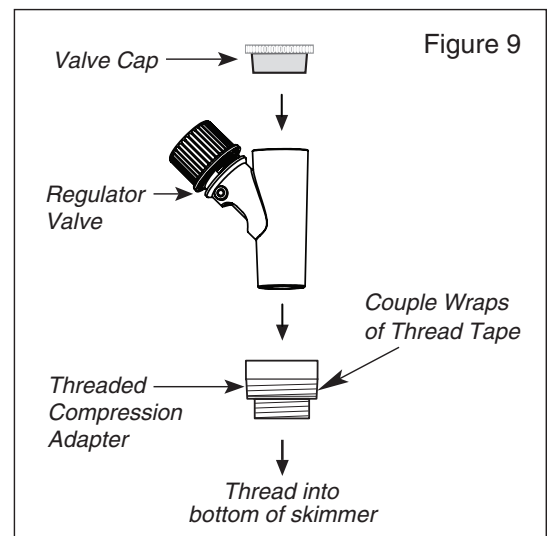
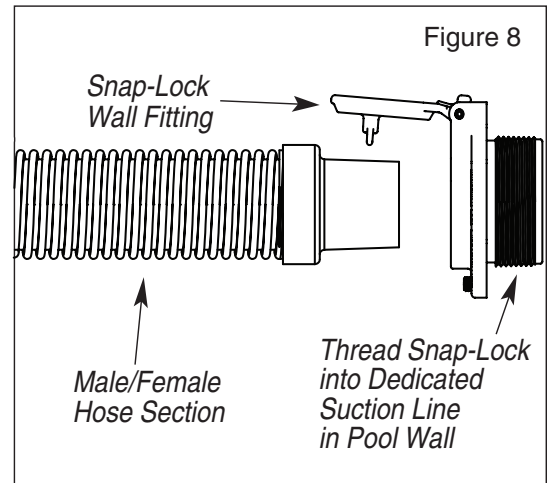
Note: Use two wraps of thread seal tape around the threads to ensure easy removal.

4. Place the cleaner (with the hose attached) into the pool. Turn it side to side and front to back to release any trapped air, allowing the cleaner to sink to the floor of the pool. Continue to feed the hose vertically down into the pool until it is completely filled with water and purged of air.

Note: If air is pulled into the pool plumbing it may cause your pump to lose prime.

5. Insert the male hose end of the last hose section directly into the snap-lock wall fitting. See **Figure 8**.
6. Thread the compression adapter into the vacuum connection in the bottom of the skimmer.
7. To prevent water from flowing through the top of the regulator valve, fasten the valve cap onto the top of the valve (See **Figure 9**). This activates the regulator valve and assures that an accurate amount of water (25 GPM) will flow through the vacuum line and the cleaner. Without the valve cap, the regulator valve and the cleaner will not function properly. See **Figure 10**.
8. Press the regulator valve into the compression adapter.

After completing the installation, turn the pool pump on. Allow the pump to run for a couple of minutes to be sure all air cycles out of the system.



Adjusting Flow to the Cleaner With the Flow Gauge

1. Turn the pool pump off.
2. Disconnect the Warrior™ Suction Side Cleaner from the leader hose and connect the flow gauge.

Note: Make sure the hose remains submerged to prevent suction of air.

3. Turn the pump on.
4. Turn the regulator valve adjustment knob clockwise to increase flow or counterclockwise to decrease flow, until the disc indicator in the flow gauge settles between “Maximum” and “Minimum” flow. See **Figure 11**.
5. Turn the pool pump off and remove the flow gauge and reconnect the cleaner.
6. Lower the cleaner in to the pool and allow it to drop to the pool floor.
7. Turn the pool pump on.

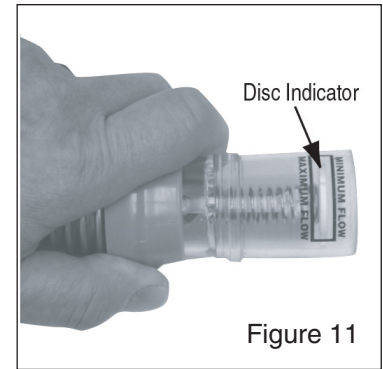


Figure 11

Calculating Cleaner Speed (RPM) Without the Flow Gauge

If you do not have the flow gauge originally included with your cleaner, following the steps below will allow you to calculate the cleaner speed and adjust RPM as needed.

1. While the cleaner is running, bring the cleaner up to just beneath the pool's water surface.

Note: Be sure to keep the cleaner submerged while the pump is operating. This prevents the cleaner from pulling air into the pool system.
2. Count the number of full rotations made by the wheel over a period of one minute. The number of rotations will give you the revolutions per minute; or RPM's. An easy way to be sure you are counting full rotations is by counting the number of times the wheel hump passes by the swivel assembly.
3. For proper performance, the Warrior cleaner operates between 11-13 RPM.

If the RPM is below 11 adjust the regulator valve (rotate adjustment knob clockwise) and repeat steps 1-2 until the RPM falls back into the optimal range.

If the RPM is higher than 13 adjust the regulator valve (rotate adjustment knob counterclockwise) and repeat steps 1-2 until the RPM falls back into the optimal range.

CLEANER ADJUSTMENTS AND OPERATION

After installation, turn the pool pump on. The Warrior™ Suction Side Pool Cleaner should be moving about the pool at a rate of 8 to 12 feet per minute. Be sure to check each of the following initial adjustments.

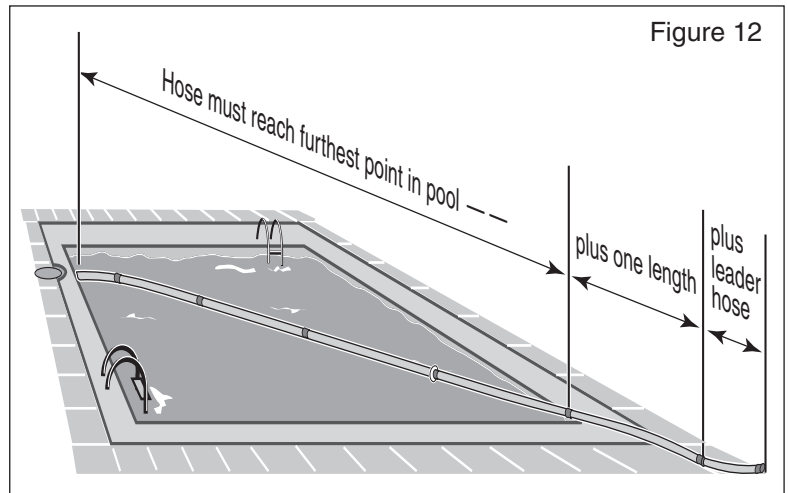
Hose Length

Note: The pump must be on when you check the hose length. The hose contracts when the pump is operating and will be longer when the pump is off.

While the cleaner is operating:

1. Position cleaner at the furthest point of the pool from where it's attached. Use a pool pole and brush to easily position the cleaner in the pool.
2. The hose should be long enough to reach the end of the pool, plus one hose section and the leader hose. See **Figure 12**.
3. Remove any excess hose lengths from the middle of the hose assembly. This will ensure you do not alter the position of the hose float.
4. Save extra hose sections for use as needed for replacement.

Note: Turn pool pump off when adding or removing hose sections.



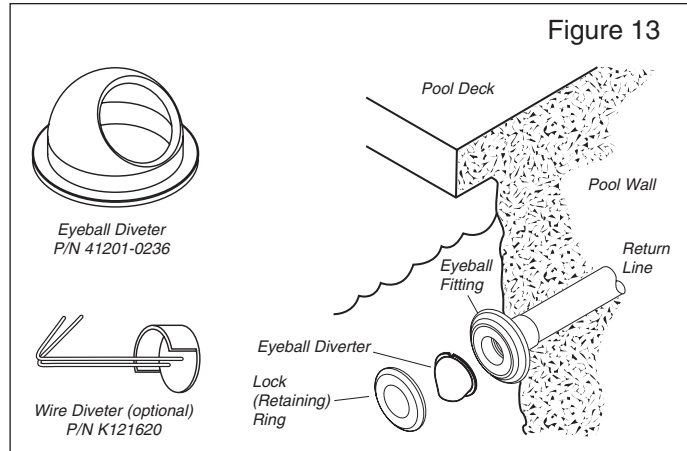
Return Line Water Flow

IMPORTANT: The water flow from your return line can push the Warrior™ Suction Side Pool Cleaner's hose and affect its performance. It may cause the cleaner to steer away from the end of the pool where the return line is located, or it may cause your cleaner to remain in one section of the pool. To correct this, use the eyeball diverter included. If the eyeball does not fit your pool, use the wire diverter.

(P/N K121620) Wire diverter available for purchase from your Pentair Aquatic's dealer.

To install the eyeball diverter:

- First make sure your pool pump is off. Remove the original eyeball from the return line at the pool by unscrewing the lock ring.
- Replace the original eyeball with the eyeball diverter that came with your Warrior cleaner.
- Replace the lock ring and tighten. Make sure the opening of the eyeball diverter points in the proper direction before tightening fully.



Eyeball Diverter Positions

Position the diverter opening to redirect the return line water flow so it does not interfere with the cleaner's movement. Try different positions to see which works best in your pool:

- flow directed along the side of pool (the tile line).
- flow directed downward.
- flow directed against the hose will help steer the cleaner away from obstructions such as stairs and ladders.

After installing the eyeball diverter, turn the pool pump on. The cleaner should begin moving across the pool floor vacuuming up debris in its path.

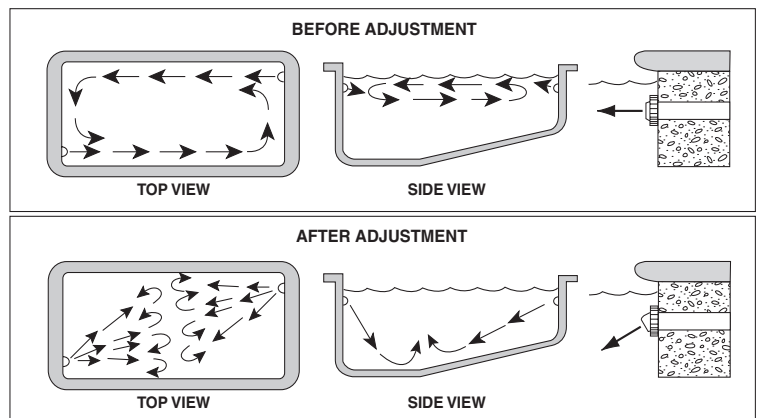


Figure 14

MAINTENANCE

The Warrior™ Suction Side Pool Cleaner requires almost no maintenance. Visually inspect your cleaner from time to time to make sure that:

- The turbine is moving freely and is not obstructed by debris. See “Removing Debris from the Turbine” below.
- The tires are not excessively worn. See **Figure 18** on the next page.

We recommend that you leave the cleaner in your pool, except during chemical shock treatments.

- During swimming it is easy to unplug the cleaner and pull it to one side.
- **Note:** When storing the cleaner, do not coil the hose. Lay the hose flat in an area protected from direct sunlight.

This cleaner’s hose is specially designed to ensure optimum cleaner performance. Should replacement be required, insist on genuine Pentair cleaner hose.

Removing Debris from the Turbine

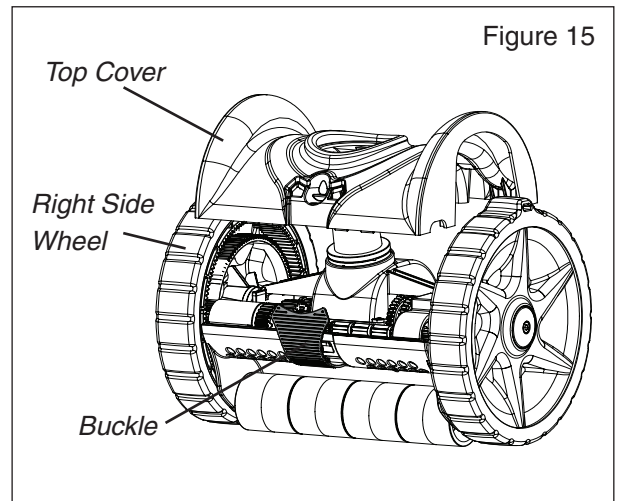
1. Be sure the pool pump is off. Remove the cleaner from the pool and disconnect the cleaner from the leader hose.
2. Check to see if anything is clogged inside the cleaner. Do this by positioning the cleaner with the buckle facing you and attempt to rotate the right side wheel forward. If the wheel rotates smoothly there probably is no obstruction. If it won’t rotate there is an obstruction.

3. Place the cleaner on a flat work surface. Open the buckle on the front of the cleaner by pulling it out and down.

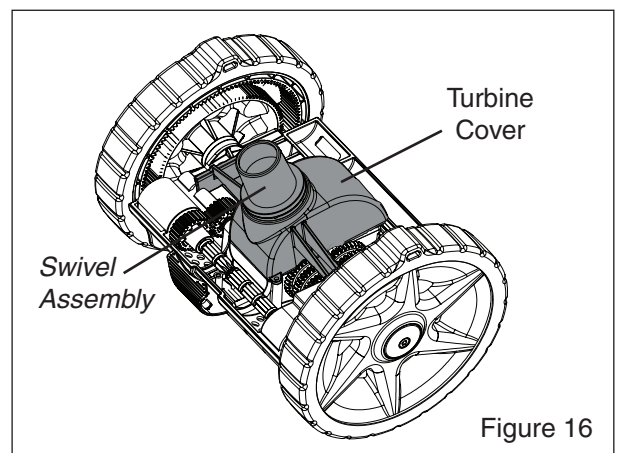
Lift the front of the top cover up and then firmly pull it forward. This will separate the top cover from the cleaner body and you will now be able to lift the top cover straight up from the cleaner body (see **Figure 15**). Set the cover aside.

Note: The top cover is designed to fit tightly so you may have to wiggle it a little.

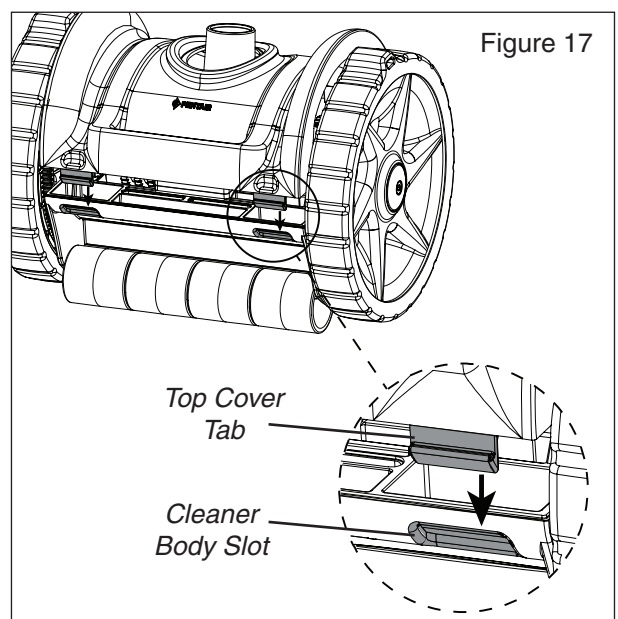
4. Pull the turbine cover straight up and off of the cleaner body. Set the turbine cover aside. See **Figure 16**.
5. Remove any visible obstructions from the turbine and turbine cover.
6. Replace the turbine cover with the swivel assembly oriented towards the front of the cleaner. See **Figure 16**.
7. Visually inspect the rest of the cleaner and remove any debris that may be in the gears, drive shafts, swivel assembly, etc.
8. Repeat **step 2 (turning the right wheel)** to insure that the cleaner runs smoothly.
9. Place the top cover over the swivel assembly.
10. Place the tabs on the back side of the top cover into the slots on the back side of the cleaner body (see **Figure 17**). Once these tabs are seated in the slots the front of the cover will fall into place.
11. Lock the top cover onto the cleaner body with the locking buckle on the front of the cleaner.



Removal of Top Cover



Swivel Assembly and Cleaner Internals



Cover Tabs and Corresponding Body Slots

Tire Replacement

After prolonged use it may become necessary to replace the Warrior™ Suction Side Pool Cleaner's rubber tires. When the tire surface has worn into the tire's grooves the tire is in need of replacement. See **Figure 18**.

To remove the cleaner tire:

1. Turn the pool pump off and remove the cleaner from the pool.
2. Disconnect the cleaner from the leader hose.
3. Place the cleaner on a flat work surface and fold the tire off of the wheel from top to bottom.

Note: Remove the tire by hand. Using other objects (screwdrivers, Allen keys, etc.) to remove the tire may damage the wheel.

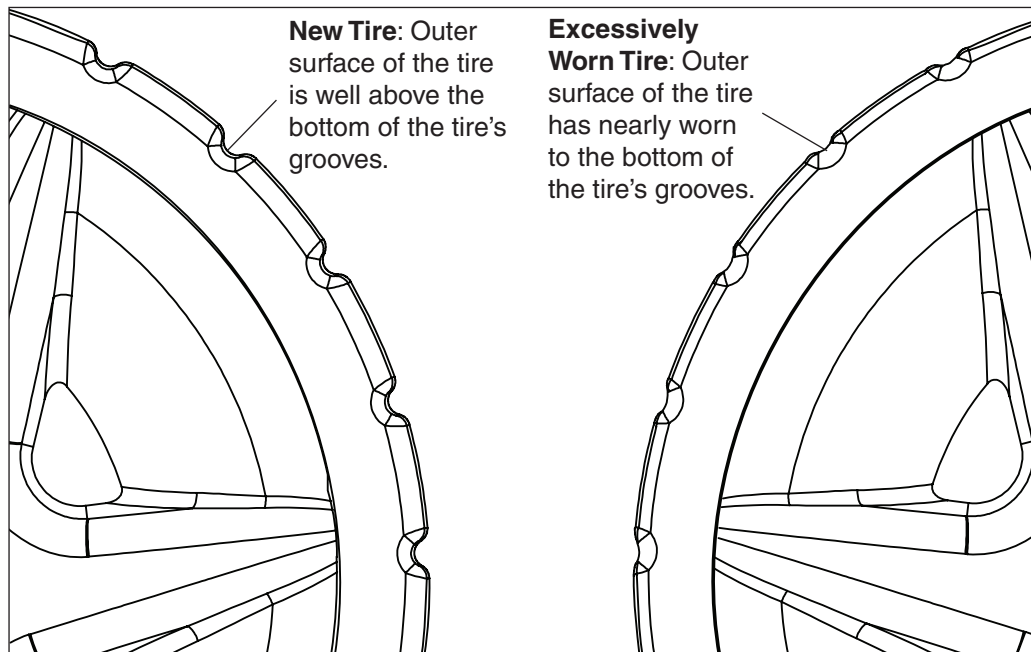


Figure 18: Tire Wear Comparison

To install the replacement tire:

1. Place the cleaner on a flat work surface and seat the top of the rubber tire onto the top of the wheel. Be sure that the back lip of the tire is resting flat on the inside edge of the wheel.

Note: Replace the tire by hand. Using other objects (screwdrivers, Allen keys, etc.) to replace the tire may damage the wheel.

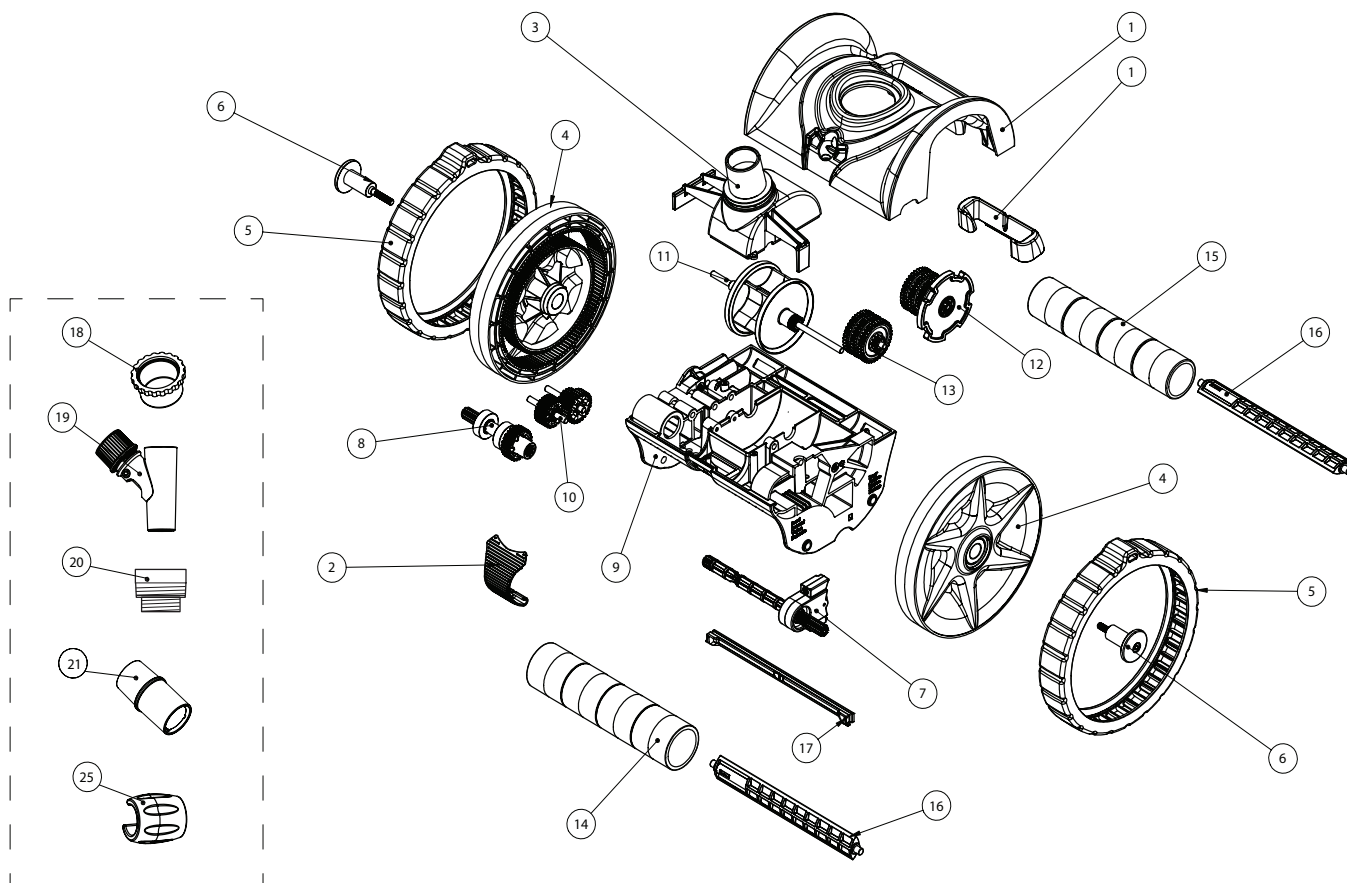
2. Stretch the bottom of the tire over the bottom of the wheel. Be sure that the back lip of the tire is resting flat on the inside edge of the wheel.
3. Fold the back lip of the tire onto the back of the cleaner wheel along the entire cleaner wheel. The tire should lie flat on the top surface of the wheel.

TROUBLESHOOTING

Because of the individual characteristics of your pool, some additional adjustments may be required to get the best performance from your Warrior™ Suction Side Pool Cleaner. Use the following information to resolve possible issues.

PROBLEM	CORRECTIVE ACTION
<p>Cleaner is not moving or is moving too slowly.</p>	<p>Check flow with flow gauge included or by calculating the cleaner RPM and adjust the flow if necessary using the regulator valve. See page 5.</p> <p>Check for debris inside the cleaner itself. See page 8.</p> <p>Check to be sure the pump has primed. Check for leaks in the system that may prevent proper priming.</p> <p>There may not be enough flow through the system. The filter may need backwashing.</p> <p>Check to be sure that the main drain and all suction lines are closed, except for the suction line to which the cleaner is attached.</p> <p>Check for obstructions in the system (e.g. debris in the filter, pump basket or pump impeller).</p> <p>Pool pump and filter system may be too small to provide proper water flow. Consult your pool professional.</p>
<p>Cleaner's right wheel will not turn when rotated by hand.</p>	<p>Check for obstructions inside the cleaner itself. See page 8.</p>
<p>Cleaner stays in one end of the pool.</p>	<p>Check flow with flow gauge included or by calculating the cleaner RPM and adjust the flow if necessary using the regulator valve. See page 5.</p> <p>Check the return line water flow and redirect as necessary with the included eyeball diverter. See page 7.</p> <p>Check that hose is long enough to reach the furthest point in the pool. See page 6.</p> <p>Check for proper hose float placement. The float may be in the wrong position. See page 2.</p> <p>Be sure that the swivel assembly (at top of cleaner) rotates smoothly. If not, the swivel assembly may be dirty and require cleaning.</p>
<p>Cleaner climbs the wall too much or climbs out of pool.</p>	<p>Check flow with flow gauge included or by calculating the cleaner RPM and adjust the flow if necessary using the regulator valve. See page 5.</p>
<p>Cleaner won't climb the pool walls.</p>	<p>Check to be sure that the cleaner tires are not excessively worn. See page 9. Excessively worn tires will not provide the grip necessary for your cleaner to climb pool walls.</p> <p>Check flow with flow gauge included or by calculating the cleaner RPM and adjust the flow if necessary using the regulator valve. See page 5.</p> <p>Check to be sure that the leader hose has been installed and is in the correct location. See page 2.</p> <p>Check for proper hose float placement. The float may be in the wrong position. See page 2.</p>
<p>Cleaner stays on the main drain.</p>	<p>Check to be sure that main drain is closed. May need assistance from a pool professional.</p> <p>Check to be sure a main drain grate is installed.</p>
<p>Cleaner falls on its side and takes too long to recover.</p>	<p>Check for proper hose float placement. The float may be in the wrong position. See page 2.</p> <p>Check to be sure that the leader hose has been installed and is in the correct location. See page 2.</p> <p>Check that the hose is long enough to reach the furthest point in the pool. See page 6.</p> <p>The return eyeball fittings may be pushing the cleaner hoses away. See page 7.</p>

REPLACEMENT PARTS



ENGLISH

Item Number	P/N	DESCRIPTION
1	360304	Top Cover Kit
2	360305	Buckle Kit
3	360285	Swivel Kit
4	360306	Wheel Kit
5	360287	Tire Kit
6	360288	Wheel Hub Kit
7	360289	Left Drive Kit
8	360290	Right Drive Kit
9	360291	Bottom Cover Kit
10	360292	Drive Gear Kit
11	360293	Turbine Kit
12	360294	Cam Kit
13	360295	Cam Gear Kit
14	360296	Front Roller Kit

Item Number	P/N	DESCRIPTION
15	360297	Rear Roller Kit
16	360298	Roller Bar Kit
17	360299	Wear Bar Kit
18	41200-0211	Valve Cap
19	41200-0200	Regulator Valve
20	K70079	Threaded Compression Adapter
21	41200-0210	Flow Gauge
*22	GW9530	Vacuum Line Door
*23	41201-0236	Eyeball Diverter (x2)
*24	K60465	Hose Protector
25	360317	Hose Float
*26	360309	Hose Set
*27	360308	Leader Hose

Note: (*) Not Shown



1620 HAWKINS AVE., SANFORD, NC 27330 • (919) 566-8000
10951 WEST LOS ANGELES AVE., MOORPARK, CA 93021 • (805) 553-5000

WWW.PENTAIRPOOL.COM

All Pentair trademarks and logos are owned by Pentair or one of its global affiliates. Pentair Aquatic Systems™, Kreepy Krauly® and Warrior™ are trademarks and/or registered trademarks of Pentair Water Pool and Spa, Inc. and/or its affiliated companies in the United States and/ or other countries. Unless expressly noted, names and brands of third parties that may be used in this document are not used to indicate an affiliation or endorsement between the owners of these names and brands and Pentair Water Pool and Spa, Inc. Those names and brands may be the trademarks or registered trademarks of those third parties. Because we are continuously improving our products and services, Pentair reserves the right to change specifications without prior notice. Pentair is an equal opportunity employer.

© 2014 Pentair Water Pool and Spa, Inc. All rights reserved. This document is subject to change without notice.

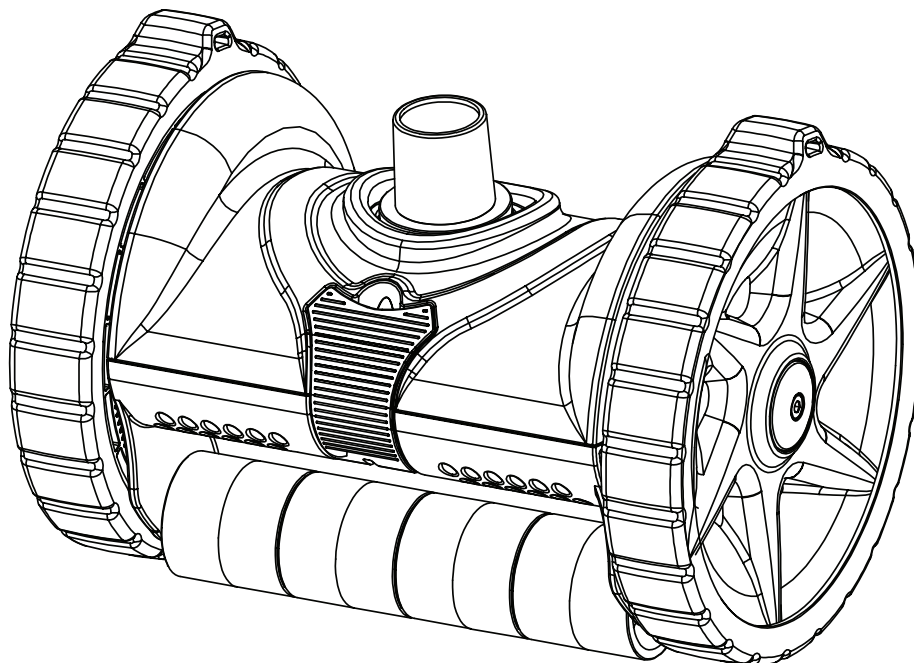


P/N 371302 REV. A 8/28/14



KREEPY KRAULY® WARRIOR™

LIMPIAFONDOS DE SUCCIÓN LATERAL PARA PISCINAS



ESPAÑOL

GUÍA DE INSTALACIÓN Y DEL USUARIO

INSTRUCCIONES DE SEGURIDAD IMPORTANTES
LEA Y SIGA TODAS LAS INSTRUCCIONES
GUARDE ESTAS INSTRUCCIONES

SERVICIO AL CLIENTE / SOPORTE TÉCNICO

Si tiene consultas acerca de cómo pedir piezas de repuesto de Pentair Aquatic Systems y productos para piscina, por favor, contáctese con:

Servicio al cliente y soporte técnico, EE. UU.

(de 8 A.M. a 5 P.M. — Hora del Este/Pacífico)

Teléfono: (800) 831-7133

Fax: (800) 284-4151

Sitio web

Visite www.pentairpool.com o www.staritepool.com

Sanford, Carolina del Norte (de 8 A.M. a 5 P.M.

Hora del Este)

Teléfono: (919) 566-8000

Fax: (919) 566-8920

Moorpark, California (de 8 A.M. a 5 P.M. Hora del Pacífico)

Teléfono: (805) 553-5000 (Ext. 5591)

Fax: (805) 553-5515

ÍNDICE

Advertencias e

instrucciones importantes 15

Preparación de la piscina 17

Componentes del limpiafondos 17

Ensamblaje del limpiafondos 18

Ensamblaje de la manguera 18

Instalando el limpiador 19

Instalación estándar 19

Instalación de la línea de aspiración 20

Ajuste de caudal con el calibrador de caudal 21

Cómo calcular las RPM del limpiafondos
sin el calibrador de caudal 21

**Ajustes y funcionamiento del
limpiafondos** 22

Longitud de la manguera 22

Flujo de agua de la línea de retorno 23

Instalación del desviador de globo 23

Posiciones del desviador de globo 23

Mantenimiento 24

Cómo quitar la suciedad de la turbina 24

Remoción del neumático 25

Reemplazo del neumático 25

Solución de problemas 26

Piezas de repuesto 27

INSTRUCCIONES IMPORTANTES DE ADVERTENCIA Y SEGURIDAD



Aviso importante:

Atención persona encargada de la instalación: Esta guía contiene información importante sobre la instalación, la operación y el uso seguro de este producto. Se le debe proporcionar esta información al dueño u operador del equipo luego de la instalación del limpiafondos.

Atención usuario: Este manual contiene información importante que ayudará a operar y mantener este limpiafondos. Por favor, consérvelo para futura referencia. Consulte a Pentair por cualquier consulta relacionada a este equipo.

ADVERTENCIA Antes de instalar este producto, lea y siga todas las instrucciones y preste atención a las advertencias provistas. No seguir las instrucciones ni prestar la debida atención a las advertencias puede ocasionar daños a la propiedad, lesiones graves y hasta la muerte. Llame al (800) 831-7133 para obtener copias adicionales y gratuitas de las instrucciones.

Información y seguridad del cliente

Este limpiafondos está diseñado y fabricado para proporcionar muchos años de servicio seguro y fiable cuando se instala, opera y mantiene según la información dada en este manual. En todo el manual, las advertencias de seguridad y de precaución están identificadas con el símbolo “▲”.

Asegúrese de leer y cumplir con todas las advertencias y precauciones.

ADVERTENCIA SUCCIÓN PELIGROSA



No juegue con el limpiafondos o las mangueras ni las use en el cuerpo. Puede atrapar y arrancar cabello y partes del cuerpo. Las mangueras pueden hacer que las personas se tropiecen o se enreden, lo que podría provocar ahogamiento.

ADVERTENCIA PELIGRO DE ATASCAMIENTO POR SUCCIÓN, HERIDAS Y AHOGAMIENTO.



Si su piscina tiene una boca de succión para aspirar o para un limpiado automático de la piscina y no se usa, debe estar cubierto. Junto con su limpiafondos se incluye una cubierta de seguridad accionada por resortes. Instale la cubierta en la boca de succión para prevenir atascamientos o heridas. Si la cubierta proporcionada no encaja, compre en su tienda local una nueva que sí encaje e instálela en el lugar de la otra. La cubierta debe ser de conformidad con IAPMO SPS4-99A.

ADVERTENCIA Apague la bomba antes de intentar limpiar la unidad. No permita que nadie ingrese a la piscina mientras está funcionando el limpiafondos.

ADVERTENCIA Para reducir los riesgos de heridas, no permita que los niños usen o jueguen con el limpiafondos.

ADVERTENCIA No permita que nadie ingrese a la piscina mientras está funcionando el limpiafondos. Las mangueras pueden hacer que las personas se tropiecen o se enreden, lo que podría provocar ahogamiento.

PRECAUCIÓN Las partes que se mueven pueden lesionar manos y pies. Detenga la bomba antes de intentar limpiar el cabezal del limpiafondos.



Información de instalación general

Lista de verificación previa a la instalación

Antes de instalar su limpiafondos, lea y entienda todas las advertencias e información de seguridad en esta guía. No seguir las instrucciones o instalar el limpiafondos inadecuadamente puede ocasionar daños al revestimiento de la piscina o revestimiento de vinilo. Pentair Water Pool and Spa, Inc. no se hará responsable por las reparaciones o el reemplazo de cualquiera de estas estructuras o componentes de la piscina del cliente.

Antes de instalar un limpiafondos en una piscina con revestimiento de vinilo:

Observe el revestimiento con detenimiento para detectar marcas de deterioro o daños por longevidad, químicos, daños en la pared de la piscina, etc. Si se detectan daños, deje que un profesional de piscinas haga las reparaciones necesarias. Asimismo, si hay piedras, raíces u otros objetos debajo del revestimiento, retírelos antes de instalar el limpiador.

Antes de instalar el limpiafondos en una piscina de hormigón proyectado o una piscina que esté parcial o completamente embaldosada:

Repáre cualquier baldosa y ajuste cualquier junta de las luces que necesite ajuste o reparación.

Antes de instalar el limpiafondos, limpie su sistema de filtrado:

Asegúrese de haber limpiado el filtro, incluido el lavado a contracorriente, enjuague y vaciado de todas las canastas. Un sistema limpio es necesario para una limpieza y cobertura adecuada.

Antes de instalar el limpiafondos, entienda la cobertura del limpiador:

El limpiafondos está diseñado para quitar la suciedad de su piscina en aproximadamente 4-6 horas. Dependiendo del tamaño de la piscina, puede tomar menos tiempo. El limpiafondos no fue diseñado para limpiar escalones automáticamente o para trabajar bajo una cubierta solar. Tampoco fue diseñado para hacer la limpieza inicial de una piscina nueva o la limpieza de la piscina al inicio de la temporada.

LUEGO de instalar el limpiafondos, asegúrese de que esté funcionando correctamente:

El limpiafondos puede necesitar algunos ajustes mínimos para asegurar que su funcionamiento es adecuado y así prevenir daños al acabado de la piscina. Algunos diseños de revestimiento de vinilo son particularmente susceptibles al deterioro de la superficie, desgaste, frotado de la tinta, e importantes rasguños al diseño ocasionados por el contacto de objetos con la superficie de vinilo, incluidos los limpiadores automáticos. Pentair Water Pool and Spa, Inc. no se hace responsable por el desgaste, los cortes, las abrasiones o las marcas en el revestimiento de vinilo.

Las advertencias e instrucciones para bombas de Pentair Water Pool and Spa, Inc. y otros productos relacionados están disponibles en:

<http://www.pentairpool.com/pool-owner/safety-warnings/> o llame al (800) 831-7133 para obtener copias adicionales gratuitas de estas instrucciones.

Por favor vea <http://www.pentairpool.com/pool-owner/safetywarnings> para obtener advertencias e instrucciones de seguridad relacionadas con este producto.

INSTRUCCIONES IMPORTANTES DE ADVERTENCIA Y SEGURIDAD

Denegación de responsabilidad Acerca de su piscina y limpiafondos

Existen múltiples factores que contribuyen a la longevidad de su piscina. El limpiafondos es un producto altamente pasivo que no tendrá impacto en la vida útil de su piscina.

Por favor, tenga en cuenta que con el paso del tiempo es posible que se produzca deterioro, decoloración o fragilidad de cualquier revestimiento de piscina, independientemente o en combinación con el tiempo de uso, un desequilibrio en la química del agua, una instalación inadecuada, y otros factores. Los limpiafondos de succión lateral, como el limpiafondos, no removerán ni desgastarán el yeso "bueno" de la piscina. De hecho, es posible que ocurra lo contrario: con el tiempo el yeso de la piscina desgastará al limpiafondos.

La misma situación se da con piscinas de revestimiento de vinilo que están enterradas, porque los revestimientos de vinilo también se ven afectados por el medio ambiente y factores como la química del agua de la piscina, la luz solar y los alrededores de la piscina. Por lo tanto, con el paso del tiempo, el vinilo puede volverse frágil y débil. Además, las piscinas con revestimiento de vinilo se ven afectadas por la calidad, composición e instalación del revestimiento y la calidad de la construcción de las paredes de contención y la base de la piscina. Todos estos factores pueden contribuir a una falla del revestimiento. La existencia de cualquiera de estos tipos de condiciones en su piscina no es causada por el uso o funcionamiento del limpiafondos. El fabricante no será responsable por reparaciones ni reemplazo de ninguna de estas estructuras o componentes de la piscina del cliente.

El propietario de la piscina debe asumir responsabilidad por las condiciones y el mantenimiento de la superficie de la piscina, el agua y el borde.

Antes de instalar el limpiafondos, por favor, tómese un momento para registrar el número de serie. Este número se encuentra debajo de la manija trasera de su limpiafondos. Se le pedirá este número cuando se contacte con el Departamento de soporte técnico.

Nº DE SERIE _____

GUARDE ESTAS INSTRUCCIONES

PREPARACIÓN DE LA PISCINA

Preparación de la piscina

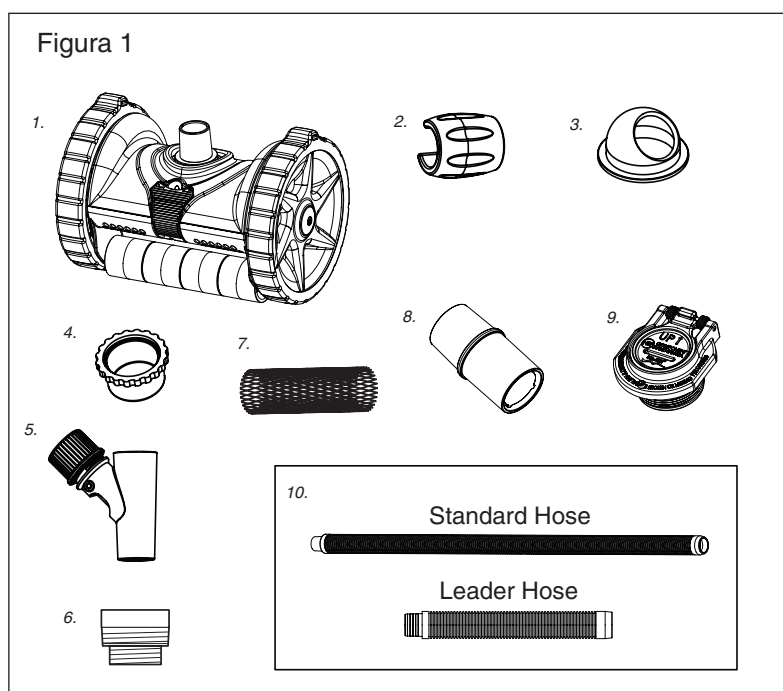
Antes de instalar el limpiafondos de succión lateral para piscinas Warrior™, su piscina debe estar limpia y libre de algas para no inhibir la tracción del limpiafondos. Si es necesario, realice los siguientes preparativos antes de continuar:

1. Equilibre químicamente el agua de la piscina.
2. Cepille las paredes de la piscina y deje que la suciedad se asiente en el fondo.
3. Aspire a mano minuciosamente.
4. Limpie el filtro y la canasta del colador de la bomba.

Componentes del limpiafondos

Retire el limpiafondos y todas las partes de la caja. Verifique que todos los componentes estén incluidos.

1. Cuerpo del limpiafondos Warrior
2. Flotador de la manguera
3. Desviadores de globo (2)
4. Cubierta de la válvula
5. Válvula reguladora
6. Adaptador roscado de compresión
7. Protector de manguera
8. Medidor de caudal
9. Puerta de la línea de vacío
10. Juego de mangueras – 13 secciones
 - 12 mangueras macho/hembra estándar
 - 1 Manguera principal



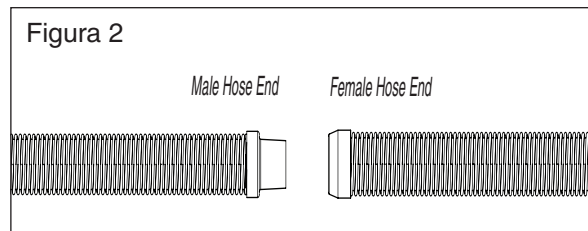
ARMADO DEL LIMPIAFONDOS

El cuerpo del limpiafondos de succión lateral Warrior™ se envía en una sola pieza, por lo que el ensamblaje del limpiafondos es un proceso más sencillo y rápido.

Ensamblaje de la manguera

Para obtener mejores resultados y para mantener el funcionamiento correcto, utilice únicamente piezas y mangueras originales de Pentair.

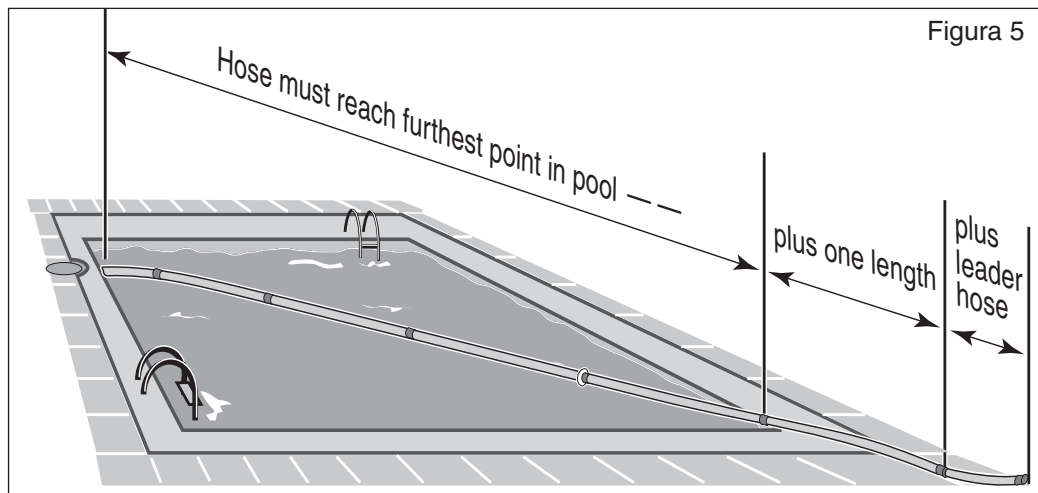
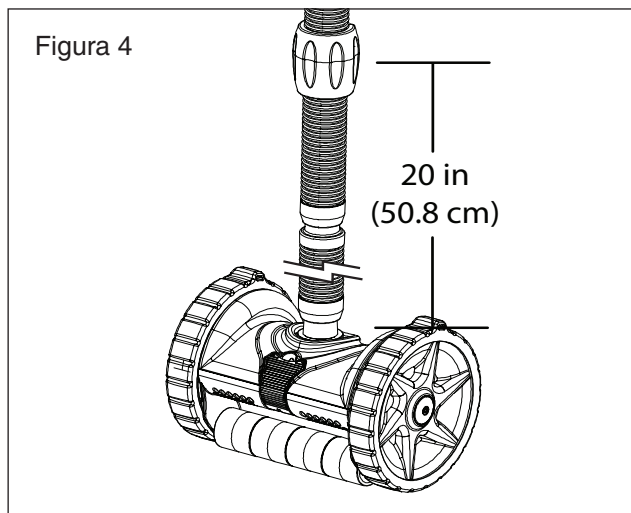
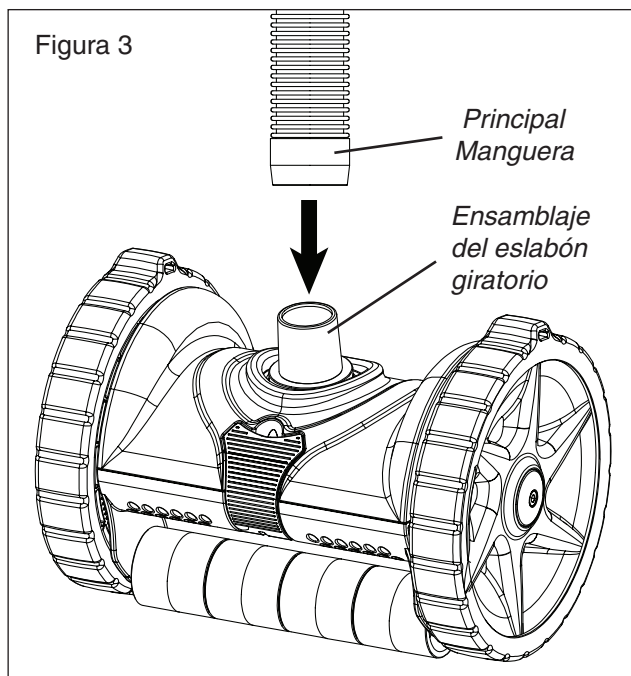
1. Para conectar las secciones de la manguera, moje los extremos en el agua de la piscina, luego gire y presione los extremos tipo hembra para introducirlos en los extremos tipo macho.



2. Conecte la manguera principal al eslabón giratorio del limpiafondos. Véase la **Figura 3**.

Nota: La manguera principal mide 12 pulgadas (30,5 centímetros) de largo y es más corta que las otras secciones que se incluyen en el juego de mangueras. La manguera principal también está marcada con una etiqueta roja. No utilizar esta sección de manguera principal dificultará el rendimiento del limpiafondos

3. La manguera deberá llegar desde donde esté conectado el limpiafondos hasta la parte más alejada de la piscina, más una sección adicional y la manguera principal.
4. Instale el flotador de la manguera en el segundo tramo de la manguera. El flotador se debe colocar a 20 pulgadas (50,8 centímetros) por encima del limpiafondos. Véase la **Figura 4**.
5. Asegúrese de que todas las conexiones estén ajustadas.
6. La longitud total necesaria de la manguera se determina por la distancia desde el punto en que se conecta la manguera al puerto de succión hasta el punto más alejado de la piscina, más un tramo y la manguera principal. Véase la **Figura 5**.



INSTALACIÓN DEL LIMPIAFONDOS

Instalación estándar

El limpiafondos de succión lateral Warrior™ para piscinas se diseñó para funcionar en una gran variedad de piscinas. En este manual se explican tanto la instalación estándar para piscinas con espumadera como la instalación de línea de aspiración opcional. Vea cuál de ellas se adapta mejor a la configuración de su piscina y siga las instrucciones.

Nota: Según las características particulares de su piscina, puede ser que no necesite la cubierta de la válvula para la válvula reguladora.

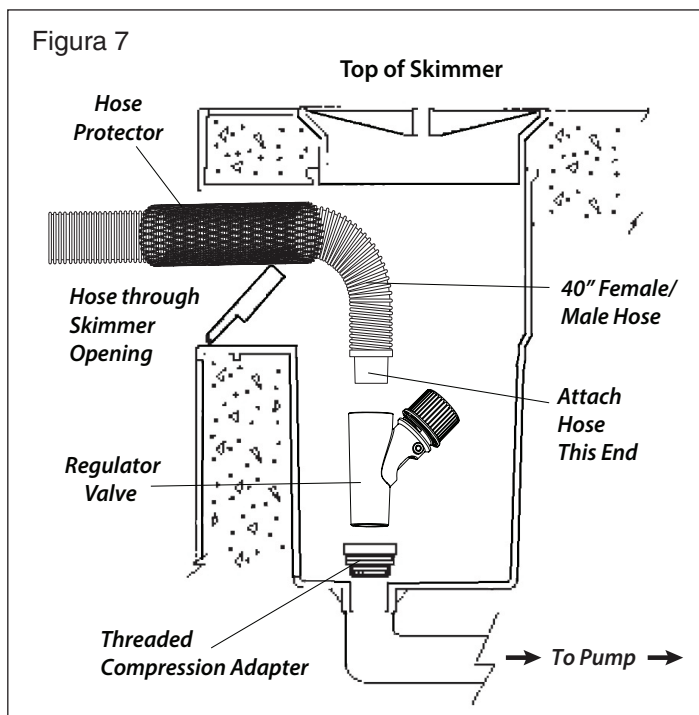
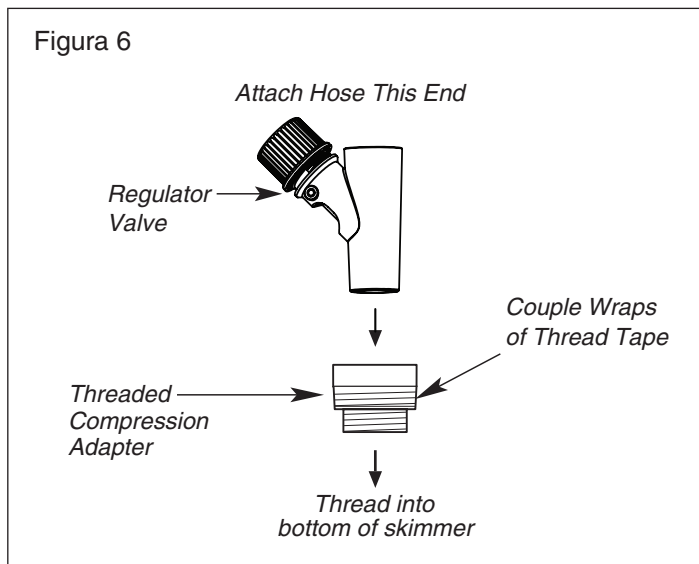
1. Apague la bomba de la piscina.
2. Cierre el desagüe principal y todas las líneas de succión, excepto la línea de la espumadera a la que se conectará el limpiafondos.
3. Quite la canasta de la espumadera.
4. Enrosque el adaptador de compresión a la conexión de aspiración en el fondo de la espumadera. Véase la **Figura 7**.

Nota: Utilice dos vueltas de cinta para sellar alrededor de las roscas y asegurar una extracción fácil.

5. Empuje la válvula reguladora hacia el interior del adaptador de compresión. La perilla de ajuste de la válvula debe apuntar hacia arriba.
6. Coloque el limpiafondos en la piscina. Gírelo de lado a lado y de adelante hacia atrás para liberar el aire atrapado, lo que permite que el limpiafondos se hunda hasta el fondo de la piscina. Continúe introduciendo la manguera verticalmente en la piscina hasta que esté totalmente llena de agua y purgada de aire.

Nota: Si la fontanería de la piscina succiona aire es posible que su bomba deje de estar cebada.

7. Sitúe el protector de la manguera en la posición correcta sobre esta para evitar que se roce con la pared de la espumadera.
8. Inserte el extremo de la manguera a través de la abertura de la espumadera y conecte la manguera directamente a la válvula reguladora. Véase la **Figura 7**.



Instalación de línea de aspiración opcional

Instalación de línea de aspiración con válvula reguladora en la espumadera.

Se recomienda muy especialmente la utilización de la válvula reguladora para equilibrar el caudal de agua entre el limpiafondos de succión lateral Warrior™ para piscinas y la espumadera. Instale la válvula reguladora en la espumadera cuando conecte el limpiafondos a una línea de aspiración exclusiva.

1. Apague la bomba de la piscina.
2. Cierre el desagüe principal y todas las líneas de succión, excepto las líneas de la espumadera y la línea de succión a la que se conectará el limpiafondos.
3. Enrosque el acoplamiento automático para pared al extremo de la línea de succión exclusiva.

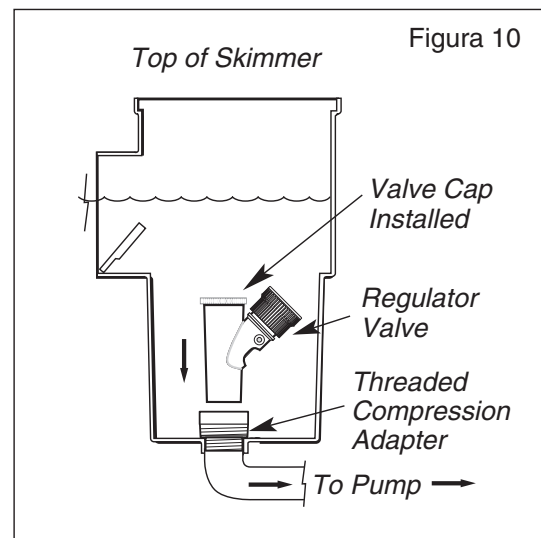
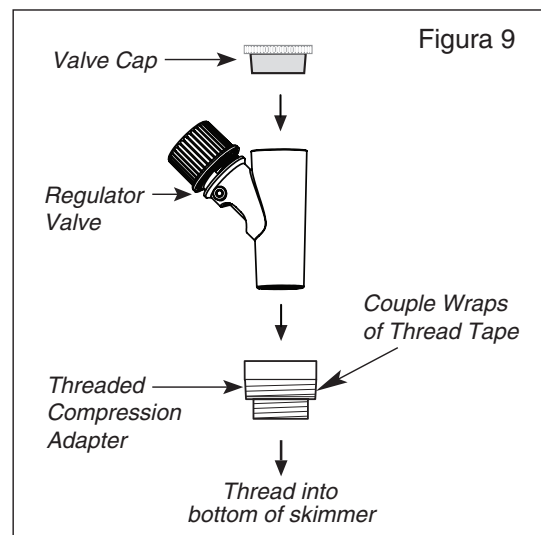
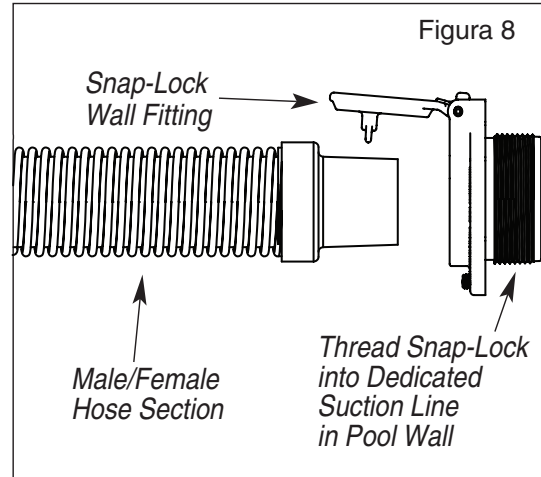
Nota: Utilice dos vueltas de cinta para sellar alrededor de las roscas y asegurar una extracción fácil.

4. Coloque el limpiafondos (con la manguera conectada) en la piscina. Gírelo de lado a lado y de adelante hacia atrás para liberar el aire atrapado, lo que permite que el limpiafondos se hunda hasta el fondo de la piscina. Continúe introduciendo la manguera verticalmente en la piscina hasta que esté totalmente llena de agua y purgada de aire.

Nota: Si la fontanería de la piscina succiona aire es posible que su bomba deje de estar cebada.

5. Inserte el extremo macho de la última sección de la manguera directamente en el acoplamiento automático para pared. Véase la **Figura 8**.
6. Enrosque el adaptador de compresión a la conexión de aspiración en el fondo de la espumadera.
7. Para evitar que fluya agua a través de la parte superior de la válvula reguladora, asegure la cubierta de la válvula a la parte superior de la válvula (Véase la **Figura 9**). Esto activa la válvula reguladora y asegura que una cantidad adecuada de agua (25 GPM) fluirá a través de la línea de aspiración y el limpiafondos. Sin la cubierta de la válvula, ni la válvula reguladora ni el limpiafondos funcionarán correctamente. Véase la **Figura 10**.
8. Empuje la válvula reguladora dentro del adaptador de compresión.

Luego de completar la instalación, encienda la bomba de la piscina. Deje la bomba en funcionamiento por un par de minutos para asegurarse de que salga todo el aire del sistema.



Ajuste del flujo para el limpiafondos con el medidor de caudal

1. Apague la bomba de la piscina.
2. Desconecte el limpiafondos de succión lateral Warrior™ de la manguera principal y conecte el medidor de caudal.

Nota: Asegúrese de que la manguera se mantenga sumergida para evitar la succión de aire.

3. Encienda la bomba.
4. Gire la perilla de ajuste de la válvula reguladora en el sentido de las manecillas del reloj para aumentar el flujo, o en sentido contrario al de las manecillas del reloj para disminuir el flujo, hasta que el indicador de disco del medidor de caudal quede entre el caudal “Máximo” y “Mínimo”. Véase la **Figura 11**.
5. Apague la bomba de la piscina y retire el medidor de caudal y vuelva a conectar el limpiafondos.
6. Meta el limpiafondos en la piscina y déjelo que se hunda hasta el fondo de la piscina.
7. Encienda la bomba de la piscina.

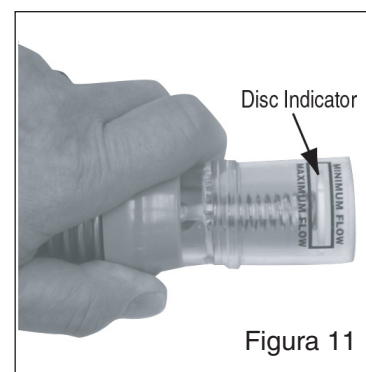


Figura 11

Cómo calcular la velocidad (RPM) del limpiafondos sin el medidor de caudal

Si no tiene el medidor de caudal que se incluye originalmente con su limpiafondos, siga los pasos a continuación que le permitirán calcular la velocidad y ajustar las RPM del limpiafondos según sea necesario.

1. Cuando el limpiafondos está en marcha, suba el limpiafondos hasta que quede justo debajo de la superficie del agua de la piscina.

Nota: Asegúrese de mantener el limpiafondos sumergido mientras la bomba está en funcionamiento. Esto evita que el limpiafondos aspire aire al sistema de la piscina.
2. Cuenté la cantidad de rotaciones completas que haga la rueda en un minuto. La cantidad de rotaciones le dará las revoluciones por minuto, o RPM. Una manera fácil de asegurarse de estar contando rotaciones completas es contar el número de veces que la giba de la rueda pasa por el ensamblaje del eslabón giratorio.
3. Para obtener el mejor rendimiento, el limpiafondos WarriorI debe funcionar a una velocidad de entre 11 y 13 RPM.

Si las RPM son inferiores a 11, ajuste la válvula reguladora (gire la perilla de ajuste en el sentido de las manecillas del reloj) y repita los pasos 1-2 hasta que las RPM vuelvan al rango óptimo.

Si las RPM son superiores a 13, ajuste la válvula reguladora (gire la perilla de ajuste en sentido contrario al de las manecillas del reloj) y repita los pasos 1-2 hasta que las RPM vuelvan al rango óptimo.

AJUSTES Y FUNCIONAMIENTO DEL LIMPIAFONDOS

Luego de la instalación, encienda la bomba de la piscina. El limpiafondos de succión lateral Warrior™ para piscinas deberá desplazarse por la piscina a una velocidad de 8 a 12 pies por minuto. Asegúrese de verificar cada uno de los siguientes ajustes iniciales.

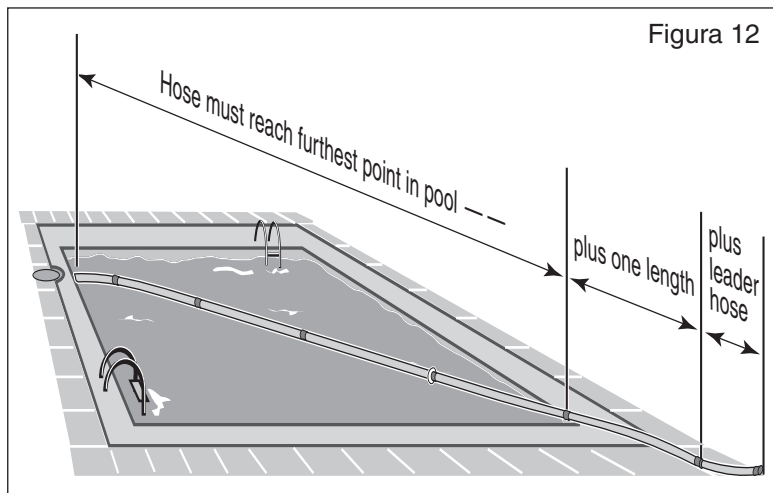
Longitud de la manguera

Nota: La bomba debe estar encendida cuando verifique la longitud de la manguera. La manguera se contrae cuando la bomba está en funcionamiento y se alarga cuando está apagada.

Cuando el limpiafondos esté en funcionamiento:

1. Sitúelo en el punto de la piscina que quede más alejado de donde está conectado. Utilice una pértiga o un cepillo para piscinas para ubicar fácilmente el limpiafondos dentro de esta.
2. La manguera debe tener la longitud suficiente para alcanzar el extremo de la piscina, más una sección adicional y la manguera principal. Véase la **Figura 12**.
3. Retire cualquier exceso de longitud de la manguera desde la mitad del ensamblaje de la manguera. Esto asegurará que no altere la posición del flotador de la manguera.
4. Guarde las secciones sobrantes en caso de necesitarlas para reemplazar otras.

Nota: Apague la bomba de la piscina cuando quite o agregue secciones de la manguera.



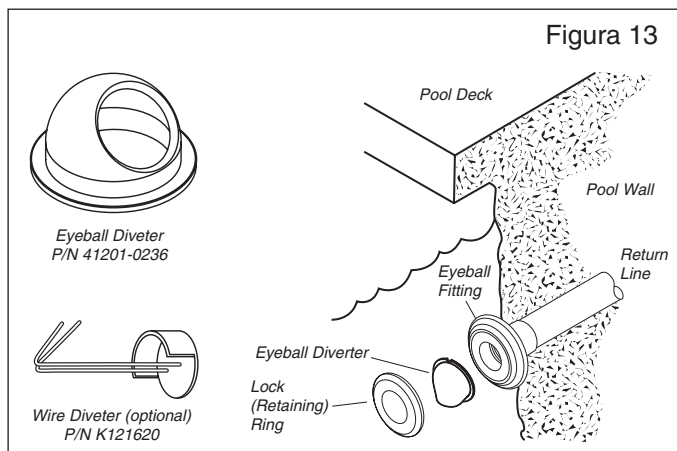
Flujo de agua de la línea de retorno

IMPORTANTE: El flujo de agua de su línea de retorno puede empujar la manguera del limpiafondos de succión lateral de la piscina Warrior™ y afectar su desempeño. Puede hacer que el limpiafondos se aleje del extremo de la piscina donde está ubicada la línea de retorno, o puede hacer que su limpiafondos se mantenga solo en una zona de la piscina. Para corregir esto, utilice el desviador de globo incluido. Si el desviador de globo no es compatible con su piscina, utilice el desviador de alambre.

(P/N K121620) Puede comprar el desviador de alambre en su distribuidor de productos para piscina Pentair Aquatic.

Para instalar el desviador de globo:

- Primero asegúrese de que la bomba de su piscina esté apagada. Retire el globo original de la línea de retorno en la piscina desenroscando la arandela de bloqueo.
- Reemplace el globo original por el desviador esférico que vino con su limpiafondos Warrior.
- Reemplace la arandela de bloqueo y ajústela. Asegúrese de que la abertura del desviador de globo apunte en la dirección correcta antes de ajustar completamente.

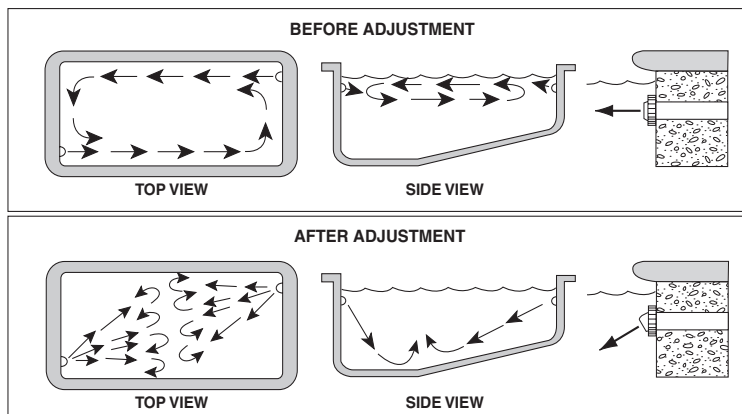


Posiciones del desviador de globo

Sitúe la abertura del desviador para redireccionar el flujo de agua de la línea de retorno para que no interfiera con el movimiento del limpiafondos. Pruebe diferentes posiciones para ver cuál funciona mejor en su piscina:

- el flujo dirigido a lo largo del costado de la piscina (la línea de azulejo).
- el flujo dirigido hacia abajo.
- el flujo dirigido contra la manguera ayudará a alejar el limpiafondos de obstáculos como escalones y escaleras.

Luego de instalar el desviador de globo, encienda la bomba de la piscina. El limpiafondos comenzará a desplazarse por el fondo de la piscina aspirando la suciedad en su camino.



MANTENIMIENTO

El limpiafondos de succión lateral Warrior™ prácticamente no requiere mantenimiento. Revise su limpiafondos de vez en cuando para asegurarse de que:

- La turbina pueda moverse libremente y no esté obstruida por la suciedad. Consulte "Cómo quitar la suciedad de la turbina", que aparece abajo
- Los neumáticos no estén excesivamente gastados. Véase la **Figura 18** en la página siguiente.

Se recomienda dejar su limpiafondos en la piscina, excepto durante los tratamientos químicos de choque.

- Cuando se está nadando, resulta fácil desconectar el limpiafondos y dejarlo a un lado.
- **Nota:** Cuando guarde el limpiafondos, no enrolle la manguera. Extienda la manguera a lo largo en un área protegida de la luz directa del sol.

La manguera de este limpiafondos se diseñó para asegurar un funcionamiento óptimo. Si necesita sustituirla, insista en recibir una manguera original de limpiafondos Pentair.

Cómo quitar la suciedad de la turbina

1. Asegúrese de que la bomba de la piscina esté apagada. Retire el limpiafondos de la piscina y desconéctelo de la manguera principal.
2. Revise para ver si hay algo atascado en el interior del limpiafondos. Para ello, coloque el limpiafondos con la hebilla hacia arriba e intente girar la rueda del lado derecho hacia adelante. Si la rueda gira suavemente probablemente no haya ninguna obstrucción. Si no gira, hay una obstrucción.
3. Coloque el limpiafondos en una superficie de trabajo plana. Abra la hebilla en la parte frontal del limpiafondos tirándola hacia fuera y hacia abajo.

Levante la parte frontal de la cubierta superior hacia arriba y luego tire firmemente hacia adelante. Esto separará la cubierta superior del cuerpo del limpiafondos y ahora podrá levantar la cubierta superior hacia arriba desde el cuerpo del limpiafondos (Véase la **Figura 15**). Coloque la cubierta a un lado.

Nota: La cubierta superior está diseñada para encajar perfectamente, así que es posible que tenga que moverla un poco.

4. Tire de la cubierta de la turbina hacia arriba y hacia afuera del cuerpo del limpiafondos. Ponga la cubierta de la turbina a un lado. Véase la **Figura 16**.
5. Retire las obstrucciones visibles de la cubierta de la turbina y la turbina.
6. Vuelva a colocar la cubierta de la turbina con el ensamblaje del eslabón giratorio hacia la parte delantera del limpiafondos. Véase la **Figura 16**.
7. Inspeccione visualmente el resto del limpiafondos y retire cualquier suciedad que pueda haber en los engranajes, ejes de transmisión, ensamblaje del eslabón giratorio, etc.
8. Repita el **paso 2 (girando la rueda derecha)** para asegurarse de que el limpiafondos funcione sin problemas.
9. Coloque la cubierta superior sobre el eslabón giratorio.
10. Coloque las lengüetas del lado posterior de la cubierta superior en las ranuras del lado posterior del cuerpo del limpiafondos (Véase la **Figura 17**). Una vez que estas lengüetas encajen en las ranuras, la parte frontal de la cubierta encajará en su lugar.
11. Bloquee la cubierta superior sobre el cuerpo del limpiafondos con la hebilla de bloqueo en la parte frontal del limpiafondos.

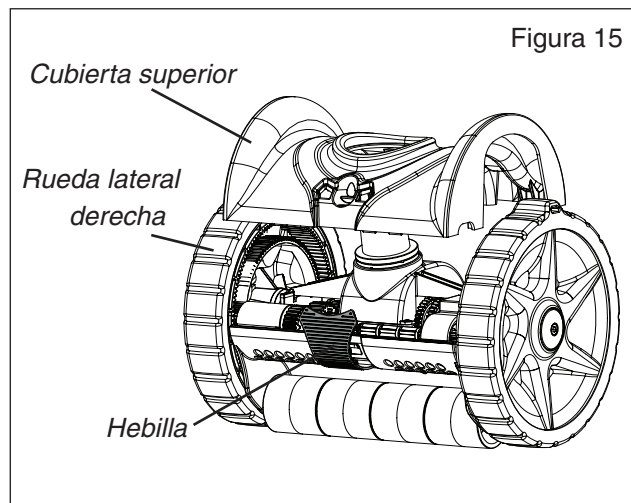


Figura 15

Cómo quitar la cubierta superior

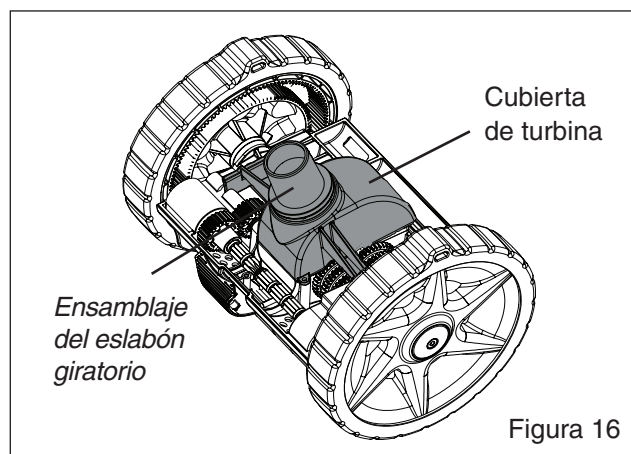


Figura 16

Ensamblaje del eslabón giratorio y piezas internas del limpiafondos

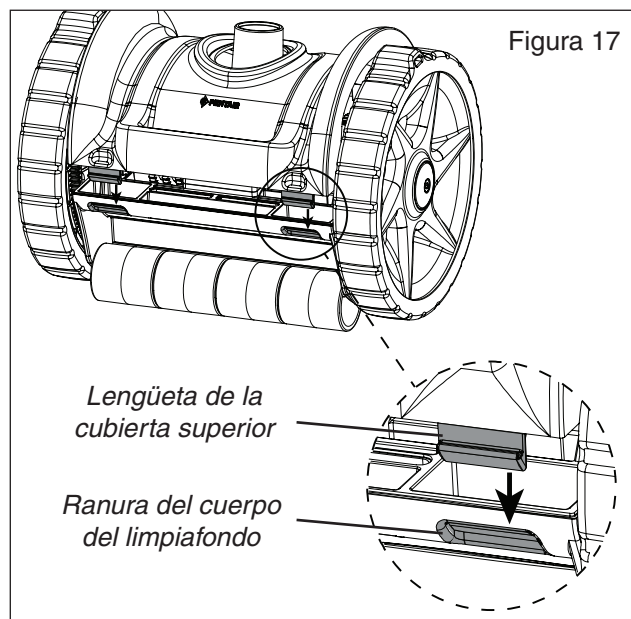


Figura 17

Lengüetas de la cubierta y ranuras del cuerpo correspondientes

Reemplazo del neumático

Tras un uso prolongado, es posible que deba reemplazar los neumáticos de goma del limpiafondos de succión lateral de piscina Warrior™. Cuando la superficie del neumático se ha desgastado hacia las ranuras del neumático, se debe reemplazar el neumático. Véase la **Figura 18**.

Para quitar el neumático del limpiafondos:

1. Apague la bomba de la piscina y quite el limpiafondos de la piscina.
2. Desconecte el limpiafondos de la manguera principal.
3. Coloque el limpiafondos en una superficie plana y saque el neumático de la rueda de arriba a abajo.

Nota: Retire el neumático manualmente. Utilizar otros objetos (destornilladores, llaves Allen, etc.) para quitar el neumático puede dañar la rueda.

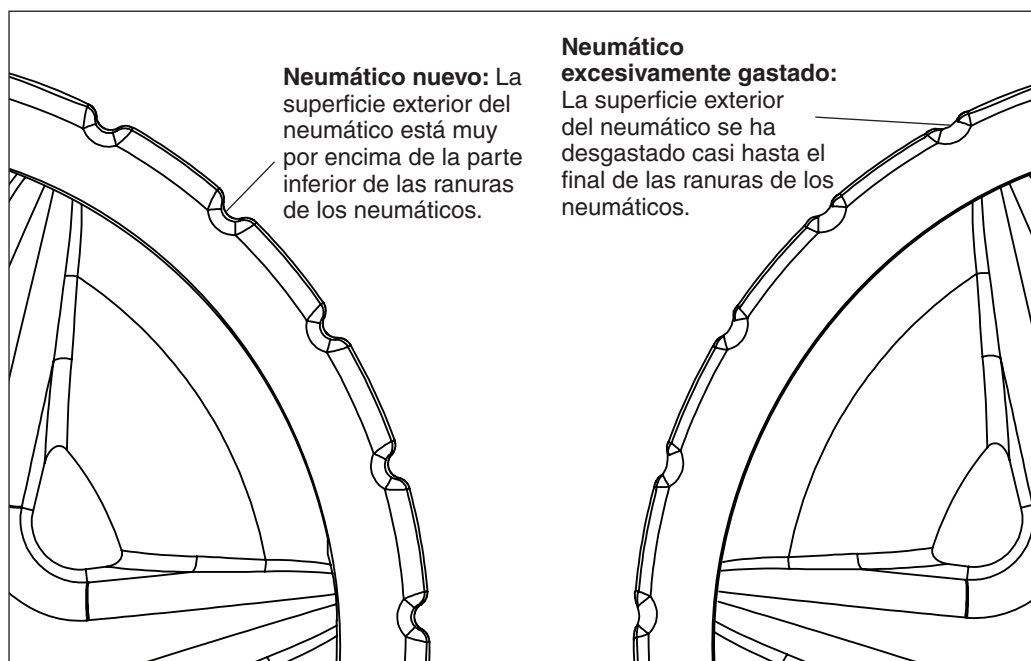


Figura 18: Comparación de desgaste del neumático

Para colocar el neumático de repuesto:

1. Coloque el limpiafondos en una superficie plana y asiente la parte superior del neumático de goma en la parte superior de la rueda. Asegúrese de que el borde posterior del neumático se apoye en el borde interior de la rueda.

Nota: Reemplace el neumático manualmente. Utilizar otros objetos (destornilladores, llaves Allen, etc.) para reemplazar el neumático puede dañar la rueda.

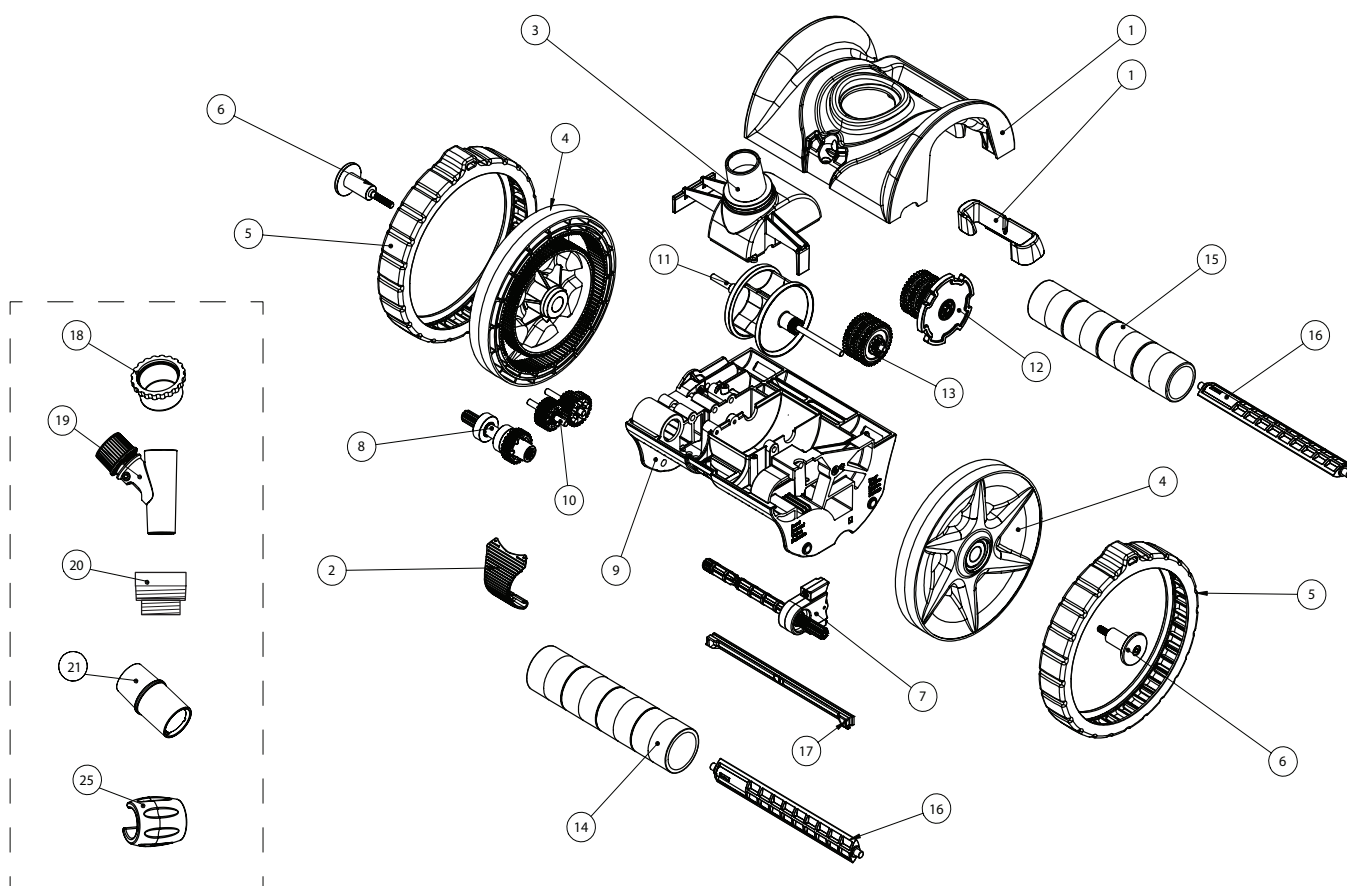
2. Estire la parte inferior del neumático sobre la parte inferior de la rueda. Asegúrese de que el borde posterior del neumático se apoye en el borde interior de la rueda.
3. Doble el borde posterior del neumático en la parte posterior de la rueda del limpiafondos a lo largo de toda la rueda del limpiafondos. El neumático debe estar plano sobre la superficie superior de la rueda.

RESOLUCIÓN DE PROBLEMAS

Debido a las características individuales de su piscina, posiblemente se necesiten ajustes adicionales para obtener un funcionamiento óptimo de parte de su limpiafondos de succión lateral Warrior™ para piscinas. Utilice la siguiente información para resolver posibles inconvenientes.

PROBLEMA	ACCIÓN CORRECTIVA
<p>El limpiafondos no se mueve o se mueve muy lento.</p>	<p>Verifique el flujo con el medidor de caudal que se incluye o calculando las RPM del limpiafondos y ajuste el flujo si es necesario con la válvula del regulador. Véase la página 5.</p> <p>Vea si hay suciedad en el interior del limpiafondos. Véase la página 8.</p> <p>Revise para asegurarse de que la bomba esté cebada. Compruebe si hay fugas en el sistema que puedan impedir cebar la bomba adecuadamente.</p> <p>Es posible que no haya suficiente flujo a través del sistema. El filtro puede necesitar el retrolavado.</p> <p>Verifique que el desagüe principal y todas las líneas de succión estén cerrados, excepto la línea de succión a la que está conectado el limpiafondos.</p> <p>Compruebe si hay obstrucciones en el sistema (por ejemplo: residuos en el filtro, prefiltro de la bomba o impulsor de la bomba).</p> <p>La bomba de la piscina y el sistema de filtro pueden ser demasiado pequeños para proporcionar un flujo de agua adecuado. Véase a su profesional de mantenimiento de piscinas.</p>
<p>La rueda derecha del limpiafondos no gira cuando se gira a mano.</p>	<p>Compruebe si hay obstrucciones en el interior del limpiafondos. Véase la página 8.</p>
<p>El limpiafondos permanece en un extremo de la piscina.</p>	<p>Verifique el flujo con el medidor de caudal que se incluye o calculando las RPM del limpiafondos y ajuste el flujo si es necesario con la válvula del regulador. Véase la página 5.</p> <p>De ser necesario, verifique el flujo de agua de la línea de retorno y desvíe con el desviador de globo que se incluye. Véase la página 7.</p> <p>Verifique que la manguera sea lo suficientemente larga para llegar al punto más alejado en la piscina. Véase la página 6.</p> <p>Compruebe la correcta colocación del flotador de la manguera. Es posible que el flotador se encuentre en la posición incorrecta. Véase la página 2.</p> <p>Asegúrese de que el ensamblaje del eslabón giratorio (en la parte superior del limpiafondos) gire suavemente. Si no, el eslabón giratorio puede estar sucio y requerir limpieza.</p>
<p>El limpiafondos sube demasiado por la pared o sale de la piscina.</p>	<p>Verifique el flujo con el medidor de caudal que se incluye o calculando las RPM del limpiafondos y ajuste el flujo si es necesario con la válvula del regulador. Véase la página 5.</p>
<p>El limpiafondos no asciende por las paredes de la piscina.</p>	<p>Compruebe para asegurarse de que los neumáticos del limpiafondos no estén excesivamente desgastados. Véase la página 9. Los neumáticos excesivamente desgastados no proporcionarán el agarre necesario para que su limpiafondos suba por las paredes de la piscina.</p> <p>Verifique el flujo con el medidor de caudal que se incluye o calculando las RPM del limpiafondos y ajuste el flujo si es necesario con la válvula del regulador. Véase la página 5.</p> <p>Compruebe para asegurarse de que la manguera principal se haya instalado y esté en la ubicación correcta. Véase la página 2.</p> <p>Compruebe la correcta colocación del flotador de la manguera. Es posible que el flotador se encuentre en la posición incorrecta. Véase la página 2.</p>
<p>El limpiafondos se mantiene en el desagüe principal.</p>	<p>Verifique que el desagüe principal esté cerrado. Puede necesitar la ayuda de un profesional de mantenimiento de piscinas.</p> <p>Verifique que esté instalada una rejilla para el desagüe principal.</p>
<p>El limpiafondos cae de lado y toma demasiado tiempo para recuperarse.</p>	<p>Compruebe la correcta colocación del flotador de la manguera. Es posible que el flotador se encuentre en la posición incorrecta. Véase la página 2.</p> <p>Compruebe para asegurarse de que la manguera principal se haya instalado y esté en la ubicación correcta. Véase la página 2.</p> <p>Verifique que la manguera sea lo suficientemente larga para llegar al punto más alejado de la piscina. Véase la página 6.</p> <p>Es posible que los accesorios de pared para globo estén empujando las mangueras del limpiafondos. Véase la página 7.</p>

PIEZAS DE REPUESTO



ESPAÑOL

Número de artículo	N/P	Descripción
1	360304	Juego de cubierta superior
2	360305	Juego de hebillas
3	360285	Juego de eslabón giratorio
4	360306	Juego de ruedas
5	360287	Juego de neumáticos
6	360288	Juego del cubo de la rueda
7	360289	Juego de la unidad izquierda
8	360290	Juego de la unidad derecha
9	360291	Juego de cubierta de fondo
10	360292	Juego de engranaje de la unidad
11	360293	Juego de turbina
12	360294	Juego de leva
13	360295	Juego de engranaje de la leva
14	360296	Juego de rodillo frontal

Número de artículo	N/P	Descripción
15	360297	Juego de rodillo trasero
16	360298	Juego de barra de rodillo
17	360299	Juego de barra de desgaste
18	41200-0211	Tapa de la válvula
19	41200-0200	Válvula reguladora
20	K70079	Adaptador roscado de compresión
21	41200-0210	Medidor de caudal
*22	GW9530	Puerta de la línea de vacío
*23	41201-0236	Desviador de globo (x2)
*24	K60465	Protector de manguera
25	360317	Flotador de la manguera
*26	360309	Juego de mangueras
*27	360308	Manguera principal

Nota: (*) No se muestra



1620 HAWKINS AVE., SANFORD, NC 27330 • (919) 566-8000
10951 WEST LOS ANGELES AVE., MOORPARK, CA 93021 • (805) 553-5000
WWW.PENTAIRPOOL.COM

Todas las marcas comerciales y los logos de Pentair son propiedad de Pentair o de una de sus empresas globales asociadas. Pentair Aquatic Systems™, Kreepy Krauly® y Warrior™ son marcas comerciales y/o marcas registradas de Pentair Water Pool and Spa, Inc. y/o sus empresas asociadas en Estados Unidos y/u otros países. A menos que se indique expresamente, los nombres comerciales y marcas de terceros que puedan haber sido utilizados en este documento no indican una asociación o respaldo entre los propietarios de estos nombres comerciales y marcas y Pentair Water Pool and Spa, Inc. Esos nombres comerciales o marcas pueden ser marcas comerciales o marcas registradas de estos terceros. Debido a que estamos constantemente mejorando nuestros productos y servicios, Pentair se reserva el derecho de modificar las especificaciones sin previo aviso. Pentair es un empleador que ofrece igualdad de oportunidades.

© 2014 Pentair Water Pool and Spa, Inc. Todos los derechos reservados. Este documento está sujeto a cambios sin previo aviso.

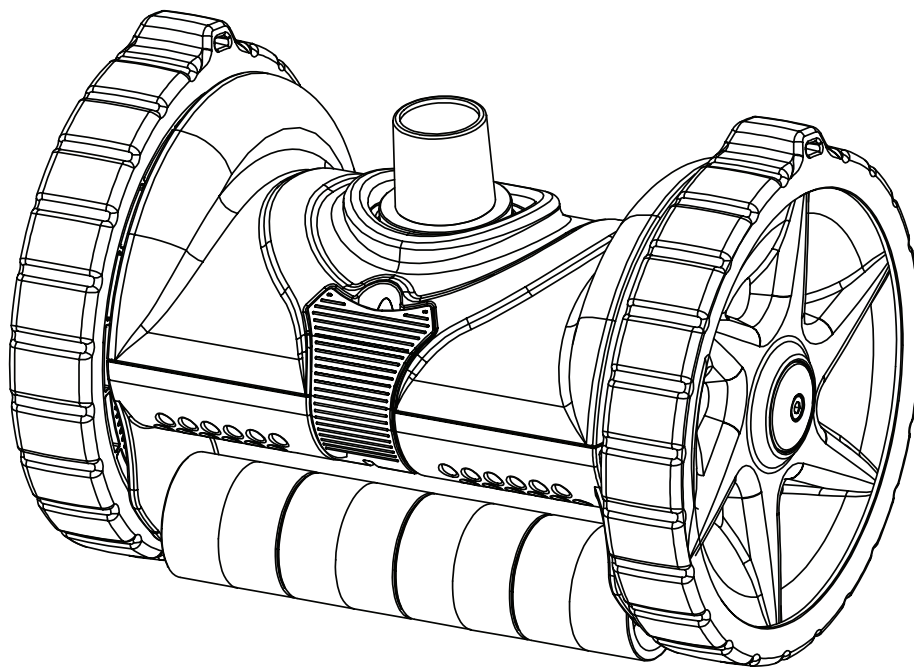


P/N 371302 REV. A 8/28/14



KREEPY KRAULY® WARRIOR™

NETTOYEUR DE PISCINE À ASPIRATION



FRANÇAIS

GUIDE D'INSTALLATION ET D'UTILISATION

CONSIGNES DE SÉCURITÉ IMPORTANTES
LIRE ET SUIVRE TOUTES LES DIRECTIVES
CONSERVER CES DIRECTIVES

SERVICE À LA CLIENTÈLE/SOUTIEN TECHNIQUE

Si vous avez des questions sur la commande de pièces de rechange et de produits pour piscines Pentair Aquatic Systems™, veuillez contacter :

Service à la clientèle et soutien technique, États-Unis

(de 8 h à 19 h – heures Est/Pacifique)

Tél. : 1-800-831-7133

Télé. : 1-800-284-4151

Site Internet

Consultez www.pentairpool.com ou www.staritepool.com

Sanford, Caroline du Nord (de 8 h à 17 h HE)

Tél. : 1-919-566-8000

Télé. : 1-919-566-8920

Moorpark, Californie (de 8 h à 17 h HP)

Tél. : 1-805-553-5000 (poste 5591)

Télé. : 1-805-553-5515

TABLE DES MATIÈRES

Avertissements et consignes de sécurité importants	31	Entretien	40
Préparation de la piscine	33	Retrait des débris logés dans la turbine	40
Composants du nettoyeur	33	Retrait du pneu	41
Assemblage du nettoyeur	34	Remplacement du pneu	41
Assemblage des tuyaux	34	Dépannage	42
Installation du nettoyeur	35	Pièces de rechange	43
Installation standard	35		
Installation de la conduite d'aspiration	36		
Réglage de l'écoulement à l'aide du débitmètre	37		
Calcul des tr/min du nettoyeur sans le débitmètre	37		
Réglages et fonctionnement du nettoyeur	38		
Longueur du tuyau	38		
Conduite de retour du débit d'eau	39		
Installation du déviateur à rotule	39		
Positions du déviateur à rotule	39		

AVERTISSEMENTS IMPORTANTS ET CONSIGNES DE SÉCURITÉ



Avis important :

À l'attention de l'installateur : ce guide contient des informations importantes concernant l'installation, le fonctionnement et l'utilisation sécuritaire de ce produit. Cette information doit être remise au propriétaire ou à l'utilisateur de cet équipement après l'installation du nettoyeur de piscine.

À l'attention de l'utilisateur : ce manuel contient des informations importantes qui vous aideront à utiliser ce nettoyeur de piscine et à en assurer l'entretien. Veuillez le conserver pour référence ultérieure. Consultez Pentair si vous avez des questions concernant ce matériel.

ADVERTENCIA Avant d'installer ce produit, lisez et respectez toutes les consignes d'avertissement et les instructions comprises. Toute éfraction quant à ces consignes de sécurité et ces instructions peut causer des blessures graves ou mortelles, ou des dommages matériels. Composez le 1-800-831-7133 pour recevoir gratuitement des manuels de consignes de sécurité supplémentaires.

Information pour le client et la sécurité

Ce nettoyeur de piscine est conçu et fabriqué pour servir pendant de nombreuses années de façon sûre et fiable si son installation, son fonctionnement et son entretien respectent les informations contenues dans ce manuel. Dans tout ce manuel, des avertissements de sécurité et des avis de précaution sont identifiés par le symbole « **▲** ». Assurez-vous de lire tous les avertissements et avis de précaution et de vous y conformer.

ADVERTENCIA ASPIRATION DANGEREUSE.

Ne jouez pas avec le nettoyeur ou le tuyau et ne les appliquez pas sur le corps. Ils peuvent piéger ou arracher les cheveux ou des parties du corps. Le tuyau peut faire trébucher les nageurs ou s'emmêler autour d'eux, ce qui peut causer une noyade.



ADVERTENCIA **DANGER DE PIÉGEAGE, DE BLESSURE ET DE NOYADE PAR ASPIRATION.** Si votre piscine est munie d'un port d'aspiration spécialisé (« vac port ») pour le nettoyage par aspiration ou pour un aspirateur de piscine automatique, il doit être couvert lorsqu'il n'est pas utilisé. Un couvercle de sécurité à ressort (« vac port fitting ») est inclus avec votre nettoyeur. Installez-le sur votre port d'aspiration pour empêcher le piégeage et les blessures. Si le couvercle fourni ne convient pas, achetez le modèle qui convient chez votre fournisseur de piscine local et installez-le à sa place. Le couvercle doit être conforme à la norme IAPMO SPS4-99A.



ADVERTENCIA **Arrêtez la pompe** avant de nettoyer l'appareil. Ne permettez pas l'utilisation de la piscine lors du fonctionnement du nettoyeur.

ADVERTENCIA Pour réduire le risque de blessure, ne laissez pas les enfants utiliser le nettoyeur de piscine ou jouer avec celui-ci.

ADVERTENCIA Ne permettez pas l'utilisation de la piscine lors du fonctionnement du nettoyeur. Le tuyau peut faire trébucher les nageurs ou s'emmêler autour d'eux, ce qui peut causer une noyade.

PRECAUCIÓN Les pièces en mouvement peuvent blesser les mains ou les doigts. Arrêtez la pompe avant de nettoyer la tête du nettoyeur de piscine.



Informations générales d'installation

Liste de vérification avant l'installation

Avant d'installer votre nettoyeur, révissez et comprenez tous les avertissements et l'information de sécurité contenus dans ce guide. Le fait de ne pas suivre ces instructions ou une installation incorrecte du nettoyeur peuvent causer des dommages au revêtement de la piscine ou de la membrane de vinyle; Pentair Water Pool and Spa, Inc. décline toute responsabilité pour les réparations ou le remplacement de quelconque de ces structures ou composants de la piscine du client.

Avant d'installer le nettoyeur dans une piscine munie d'une membrane de vinyle :

Vérifiez soigneusement la membrane pour tout signe de détérioration ou de dommages attribuables à l'âge, aux produits chimiques, à des dommages de la paroi, etc. Si vous constatez des dommages, demandez à un professionnel de piscines qualifié d'effectuer toutes les réparations nécessaires. Aussi, s'il y a des cailloux, des racines ou autres sous la membrane, retirez-les avant d'installer le nettoyeur.

Avant d'installer le nettoyeur dans une piscine de gunite ou une piscine carrelée en partie ou en totalité :

Réparez les carreaux qui se détachent et revissez les anneaux des lumières.

Avant d'installer le nettoyeur, nettoyez votre système de filtration :

Assurez-vous que vous avez nettoyé le filtre, y compris le lavage à contre-courant, le rinçage et le vidage de tous les paniers. Un système propre est nécessaire pour le fonctionnement approprié et la portée du nettoyeur.

Avant d'installer le nettoyeur, comprenez la portée du nettoyeur :

Le nettoyeur est conçu pour débarrasser votre piscine de débris dans une période de 4 à 6 heures environ. Cela peut prendre moins de temps, selon la dimension de la piscine. Le nettoyeur n'est pas conçu pour nettoyer automatiquement des marches ou des sorties de piscine ou pour fonctionner sous une toile solaire. Il n'est pas conçu non plus pour le nettoyage initial d'une piscine neuve ou pour l'ouverture de votre piscine pour la saison.

APRÈS l'installation du nettoyeur, assurez-vous qu'il fonctionne correctement :

Le nettoyeur peut avoir besoin de quelques réglages mineurs pour s'assurer qu'il fonctionne correctement afin qu'il n'y ait pas de dommages au revêtement de la piscine. Certains motifs de membrane de vinyle sont particulièrement susceptibles à l'usure de surface, à l'élimination du motif ou de l'encre par friction, ou à de sérieuses éraflures du motif causées par des objets entrant en contact avec la surface du vinyle, y compris les nettoyeurs automatiques de piscines. Pentair Water Pool and Spa, Inc. n'est pas responsable de toute élimination du motif, abrasion ou marque sur les membranes de vinyle.

Les avertissements et les consignes de sécurité pour les pompes Pentair Water Pool and Spa, Inc. et les produits connexes sont disponibles à l'adresse suivante :

<http://www.pentairpool.com/pool-owner/safety-warnings/> ou composez le 1-800-831-7133 pour obtenir des exemplaires supplémentaires gratuits de ces instructions.

Veuillez vous référer à <http://www.pentairpool.com/pool-owner/safetywarnings/> pour consulter les avertissements et les consignes de sécurité relatives à ce produit.

AVERTISSEMENTS IMPORTANTS ET CONSIGNES DE SÉCURITÉ

Déni de responsabilité

À propos de votre piscine et de votre nettoyeur

Il y a une multitude de facteurs qui contribuent à la durée de vie de votre piscine. Le nettoyeur de piscine est un produit très passif qui n'a aucun impact sur la durée de vie de la piscine.

Veillez noter qu'au fil du temps, la détérioration, la décoloration ou l'effritement de tout revêtement de piscine peuvent être causés séparément par l'âge, un déséquilibre chimique de l'eau de la piscine, une installation incorrecte ou une combinaison de ces facteurs, ainsi que d'autres facteurs. Les nettoyeurs de piscine à aspiration comme ce nettoyeur de piscine n'arracheront ni ne causeront d'usure à un « bon » revêtement de piscine. En fait, c'est le contraire qui se produit. Le revêtement de piscine finit par causer une usure du nettoyeur.

La même situation s'applique aux piscines creusées avec membrane de vinyle, car les membranes de vinyle sont aussi affectées par l'environnement et des facteurs tels que la chimie de l'eau de la piscine, la lumière du soleil et les environs de la piscine. Donc, avec le temps, le vinyle peut devenir cassant et fragile. De plus, les piscines avec membrane de vinyle sont affectées par la qualité de la main-d'œuvre, la composition et l'installation de la membrane, ainsi que la qualité de la main-d'œuvre et de construction des murs de soutènement et de la base de la piscine. Tous ces facteurs peuvent contribuer à un défaut de la membrane. L'existence de l'un de ces types de conditions dans votre piscine n'est pas causée par l'utilisation ou le fonctionnement du nettoyeur de piscine. Le fabricant décline toute responsabilité pour les réparations ou le remplacement de quelconque de ces structures ou composants de la piscine du client.

Le propriétaire de la piscine doit assumer l'entière responsabilité pour l'état et l'entretien de la surface de la piscine, de l'eau et de la terrasse.

Avant l'installation du nettoyeur, veuillez prendre le temps de noter son numéro de série. Ce numéro est situé sous la poignée arrière de votre nettoyeur. Vous devrez fournir ce numéro si vous contactez le Service du soutien technique.

NUMÉRO DE SÉRIE _____

CONSERVER CES DIRECTIVES

PRÉPARATION DE LA PISCINE

Préparation de la piscine

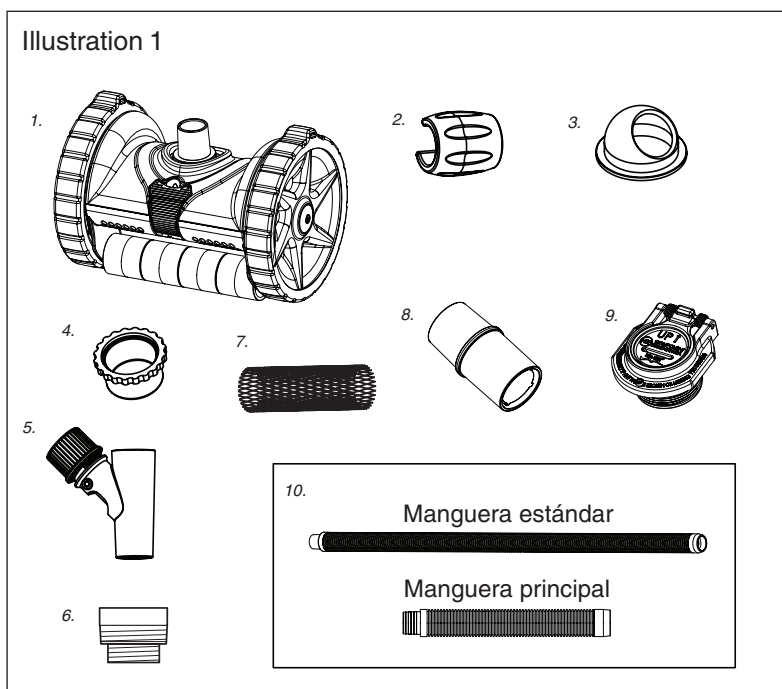
Avant d'assembler et d'installer le nettoyeur de piscine à aspiration Warrior™ et, votre piscine doit être propre et exempte d'algues afin de ne pas réduire la traction du nettoyeur. Si nécessaire, effectuer les préparations suivantes avant de procéder :

1. S'assurer que l'eau de la piscine est chimiquement équilibrée.
2. Brosser les parois de la piscine et attendre que les particules tombent au fond.
3. Passer l'aspirateur manuellement partout.
4. Nettoyer le filtre et le panier-filtre de la pompe.

Composants du nettoyeur

Sortir le nettoyeur et toutes les pièces de la boîte. Vérifier que toutes les pièces sont incluses.

1. Boîtier du nettoyeur Warrior
2. Flotteur pour tuyau
3. Déviateurs à rotule (2)
4. Bouchon de soupape
5. Soupape de régulation
6. Adaptateur à compression fileté
7. Protecteur de tuyau
8. Débitmètre
9. Seuil de la conduite d'aspiration
10. Ensemble de tuyaux – 13 sections
 - 12 tuyaux mâle/femelle standard
 - 1 première section de tuyau



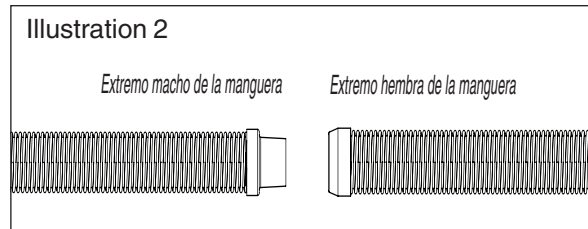
ASSEMBLAGE DU NETTOYEUR

Le boîtier du nettoyeur de piscine à aspiration Warrior™ est expédié en une seule pièce, permettant ainsi d'assembler le nettoyeur de façon simple et rapide.

Assemblage des tuyaux

Pour obtenir de meilleurs résultats et afin de maintenir un bon fonctionnement, n'utilisez que des pièces et des tuyaux Pentair originaux.

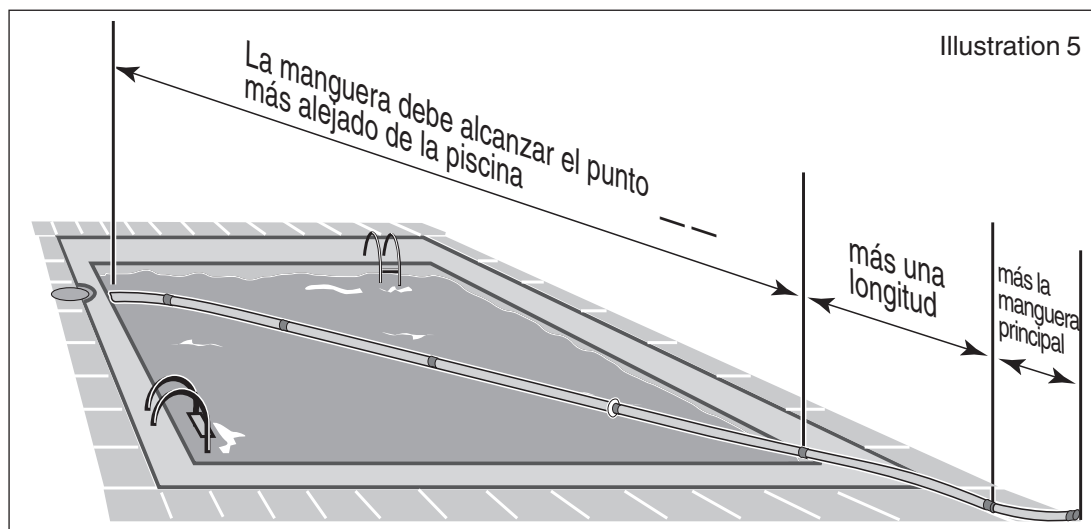
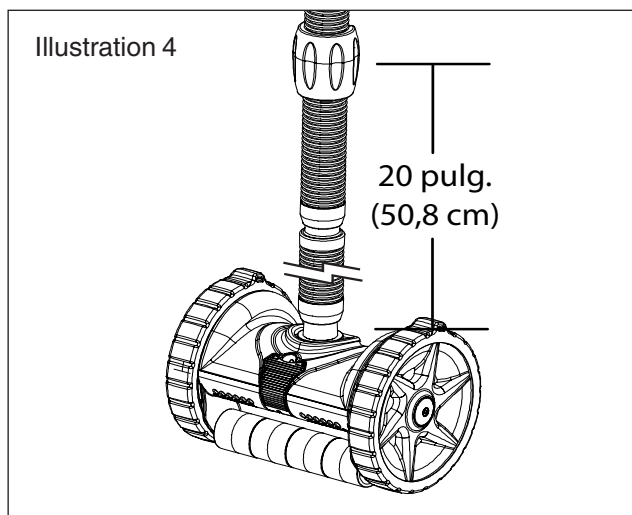
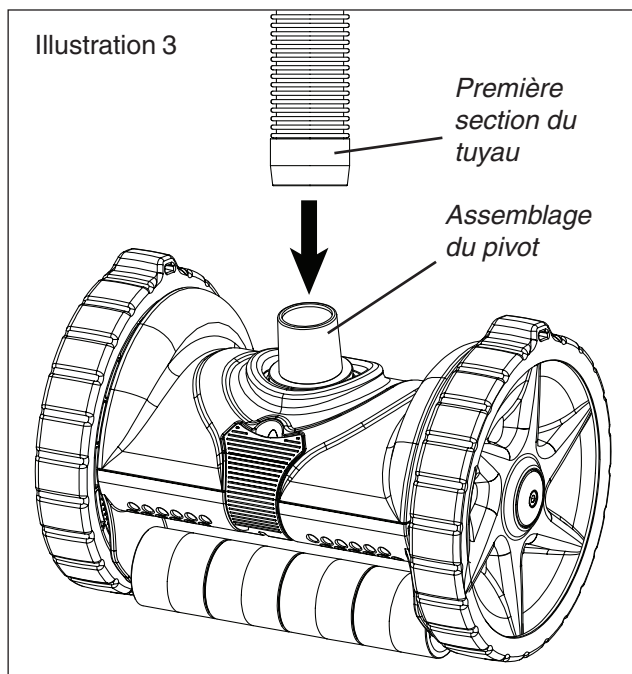
1. Pour raccorder les sections de tuyau, mouiller les extrémités dans l'eau de la piscine, puis tourner la partie femelle en appuyant pour la raccorder à la partie mâle.



2. Raccorder la première section de tuyau au raccord articulé du nettoyeur. Voir l'illustration 3.

Remarque : La première section de tuyau mesure 12 pouces (30,5 cm) en longueur et il est plus court que les autres sections incluses dans l'ensemble de tuyaux. La première section de tuyau est également marquée d'un autocollant rouge. Le fait de ne pas utiliser la première section de tuyau gênera la performance du nettoyeur.

3. Le tuyau devrait s'étendre de l'endroit où est raccordé le nettoyeur au point le plus éloigné de la piscine, avec une section supplémentaire et la première section de tuyau.
4. Installer le flotteur pour tuyau sur la deuxième longueur du tuyau. Le flotteur doit être installé à 20 pouces (50,8 cm) au-dessus du nettoyeur. Voir l'illustration 4.
5. S'assurer que tous les raccords sont bien serrés.
6. La longueur totale de tuyau nécessaire sera déterminée par la distance séparant le point où vous avez attaché le tuyau au port d'aspiration du point le plus éloigné dans la piscine, plus une section supplémentaire et la première section de tuyau. Se référer à l'illustration 5.



INSTALLATION DU NETTOYEUR

Installation standard

Le nettoyeur de piscine à aspiration Warrior™ est conçu pour fonctionner dans une variété de piscines. Cette section décrit l'installation standard dans une écumoire et l'installation à une conduite d'aspiration optionnelle. Choisir la méthode adéquate pour la configuration de votre piscine et suivre les instructions.

Remarque : En fonction des caractéristiques de votre piscine, le capuchon de la soupape de régulation automatique pourrait ne pas être nécessaire.

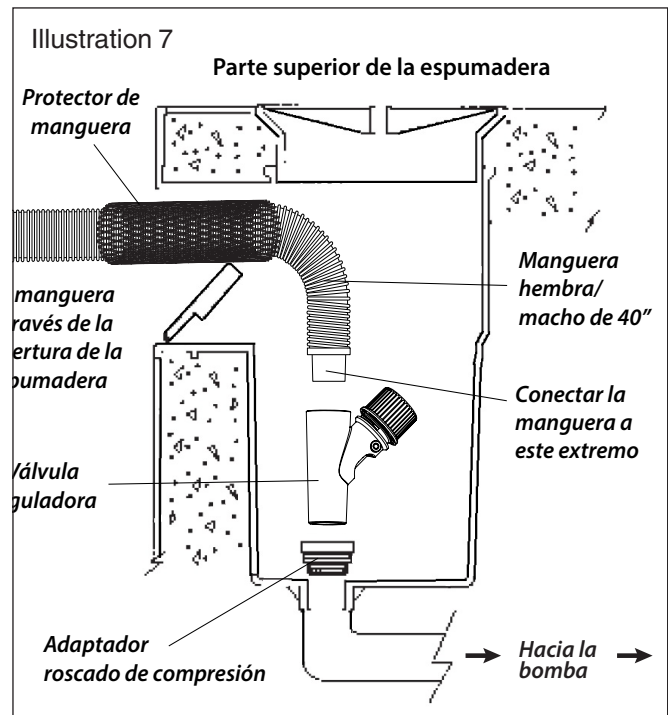
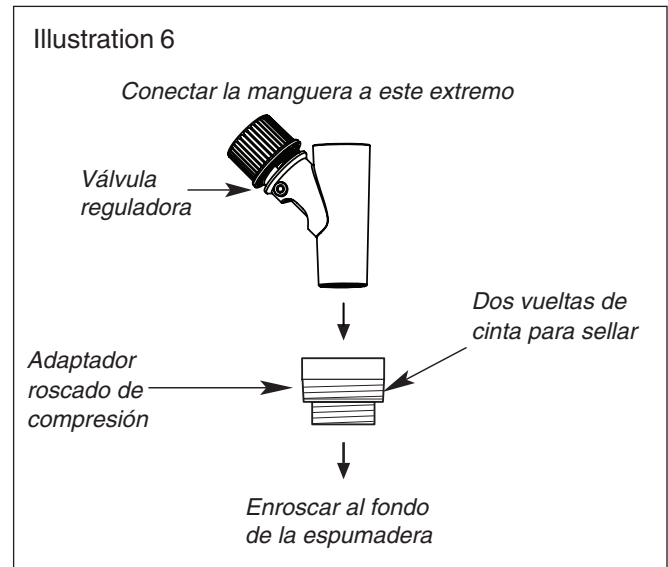
1. Éteindre la pompe de la piscine.
2. Fermer la conduite d'évacuation principale et toutes les conduites d'aspiration, sauf la conduite de l'écumoire à laquelle le nettoyeur doit être raccordé.
3. Retirer le panier de l'écumoire.
4. Visser l'adaptateur à compression sur le raccord de la ligne d'aspiration au fond de l'écumoire. Voir l'**illustration 7**.

Remarque : Faire deux tours avec du ruban d'étanchéité autour des parties filetées pour faciliter le dévissage.

5. Insérer la soupape de régulation dans l'adaptateur à compression. La molette de réglage de la soupape devrait être dirigée vers le haut.
6. Placer le nettoyeur dans la piscine. Tourner le nettoyeur d'un côté à l'autre et d'avant en arrière afin d'évacuer l'air emprisonné, ce qui permet au nettoyeur de couler jusqu'au fond de la piscine. Continuer de pousser le tuyau verticalement vers le bas dans la piscine jusqu'à ce qu'il soit complètement rempli d'eau et exempt d'air.

Remarque : Si de l'air entre dans les canalisations de la piscine, cela peut causer le désamorçage de la pompe.

7. Glisser le protecteur de tuyau à la position adéquate sur le tuyau pour empêcher le boîtier du tuyau de frotter contre la paroi de l'écumoire.
8. Insérer l'extrémité du tuyau par l'ouverture de l'écumoire et le raccorder directement sur la soupape de régulation. Voir l'**illustration 7**.



Installation sur une conduite d'aspiration optionnelle

Installation sur une conduite d'aspiration avec soupape de régulation dans l'écumoire.

Nous recommandons fortement l'emploi d'une soupape de régulation automatique pour équilibrer le débit d'eau entre le nettoyeur de piscine à aspiration Warrior™ et l'écumoire. Installer la soupape de régulation dans l'écumoire au moment de raccorder le nettoyeur à la conduite d'aspiration dédiée.

1. Éteindre la pompe de la piscine.
2. Fermer la conduite d'évacuation principale et toutes les conduites d'aspiration, sauf les conduites de l'écumoire et de la conduite d'aspiration à laquelle le nettoyeur sera raccordé.
3. Passer le connecteur mural à ressort dans l'ouverture de la conduite d'aspiration dédiée.

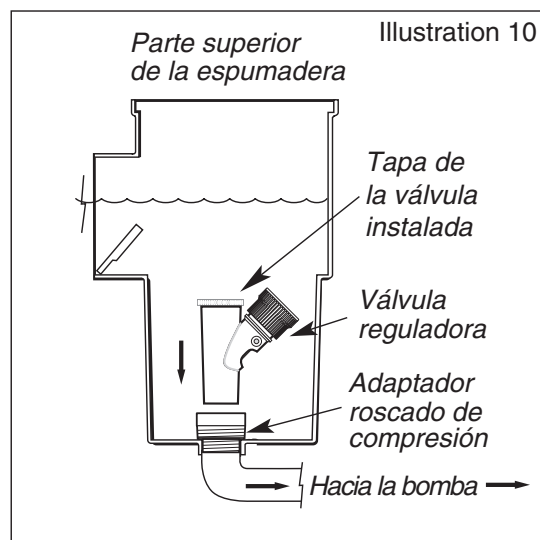
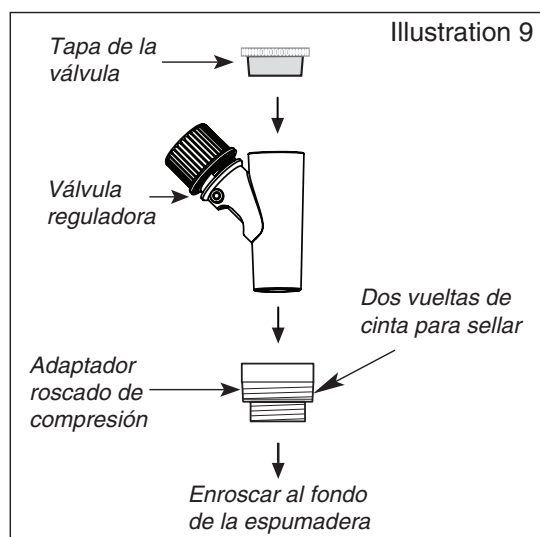
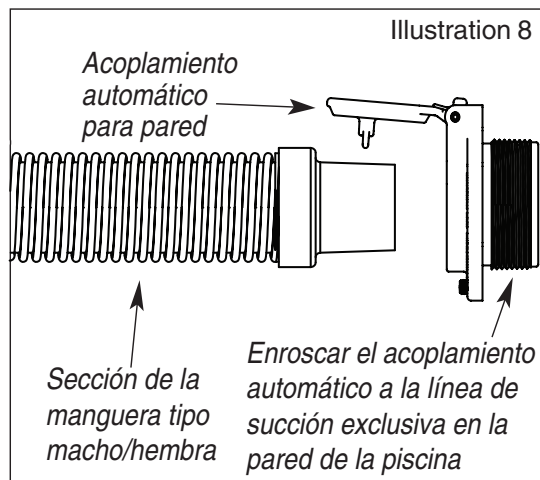
Remarque : Faire deux tours avec du ruban d'étanchéité autour des parties filetées pour faciliter le dévissage.

4. Placer le nettoyeur (avec le tuyau attaché) dans la piscine. Tourner le nettoyeur d'un côté à l'autre et d'avant en arrière afin d'évacuer l'air emprisonné, ce qui permet au nettoyeur de couler jusqu'au fond de la piscine. Continuer de pousser le tuyau verticalement vers le bas dans la piscine jusqu'à ce qu'il soit complètement rempli d'eau et exempt d'air.

Remarque : Si de l'air entre dans les canalisations de la piscine, cela peut causer le désamorçage de la pompe.

5. Insérer l'extrémité mâle de la dernière section de tuyau directement dans le connecteur mural à ressort. Voir l'**illustration 8**.
6. Visser l'adaptateur à compression sur le raccord de la ligne d'aspiration au fond de l'écumoire.
7. Pour empêcher l'eau de circuler par la partie supérieure de la soupape de régulation, installer le capuchon sur la partie supérieure de la soupape (voir **illustration 9**). Cela activera la soupape de régulation et assurera qu'un débit d'eau adéquat de 114 L/min (25 gal/min) circule dans la conduite d'aspiration et le nettoyeur. Sans le capuchon de la soupape, la soupape de régulation et le nettoyeur ne fonctionneront pas correctement. Voir l'**illustration 10**.
8. Appuyer sur la soupape de régulation pour l'insérer dans l'adaptateur à compression.

À la fin de l'installation, allumer la pompe de la piscine. Laisser la pompe tourner quelques minutes afin de s'assurer que le système est exempt d'air.

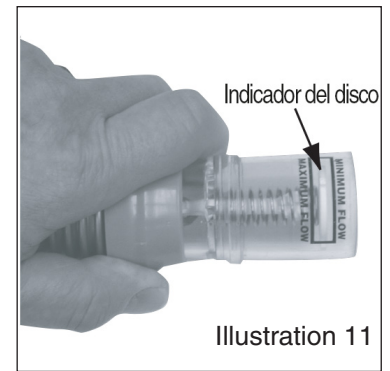


Réglage de l'écoulement du nettoyeur à l'aide du débitmètre

1. Éteindre la pompe de la piscine.
2. Débrancher le nettoyeur à aspiration Warrior™ de la première section de tuyau et brancher le débitmètre.

Remarque : S'assurer que le tuyau reste submergé afin d'éviter les aspirations d'air.

3. Allumer la pompe.
4. Tourner la molette de réglage du régulateur dans le sens horaire pour augmenter l'écoulement ou dans le sens antihoraire pour le diminuer, jusqu'à ce que le disque indicateur du débitmètre se place entre les écoulements « Maximum » et « Minimum ». Voir l'**illustration 11**.
5. Éteindre la pompe, retirer le débitmètre et rebrancher le nettoyeur.
6. Placer le nettoyeur dans la piscine et le laisser couler jusqu'au fond de la piscine.
7. Activer la pompe de la piscine.



Calcul de la vitesse du nettoyeur (tr/min) sans le débitmètre

Si le débitmètre n'était pas inclus d'origine avec votre nettoyeur, les étapes suivantes vous permettront de calculer la vitesse du nettoyeur et d'ajuster les tr/min au besoin.

1. Lorsque le nettoyeur fonctionne, remonter le nettoyeur juste en dessous de la surface de l'eau de la piscine.

Remarque : Il faut s'assurer que le nettoyeur reste submergé lorsque la pompe fonctionne. Cela évite au nettoyeur d'aspirer de l'air dans le système de la piscine.
2. Compter le nombre de tours complets de la marque noire sur la roue pendant une minute. Le nombre de tours vous indiquera les tours par minute, ou tr/min. Pour s'assurer de compter les tours complets, il suffit de compter le nombre de fois que la bosse de la roue passe par la partie pivotante.
3. Lorsque le nettoyeur Warrior fonctionne correctement, sa vitesse est de 11 à 13 tr/min.

Si les tr/min sont inférieurs à 11, ajuster la soupape du régulateur (faire tourner la molette de réglage dans le sens horaire) et répéter les étapes 1 et 2 jusqu'à ce que les tr/min reviennent dans les limites de valeurs optimales.

Si les tr/min sont supérieurs à 13, ajuster la soupape du régulateur (faire tourner la molette de réglage dans le sens antihoraire) et répéter les étapes 1 et 2 jusqu'à ce que les tr/min reviennent dans les limites de valeurs optimales.

RÉGLAGES ET FONCTIONNEMENT DU NETTOYEUR

Après l'installation, allumer la pompe de la piscine. Le nettoyeur de piscine à aspiration Warrior™ devrait se déplacer dans la piscine à une vitesse de 2,4 à 3,7 m (de 8 à 12 pi) par minute. Il faut s'assurer de vérifier chacun des réglages initiaux suivants.

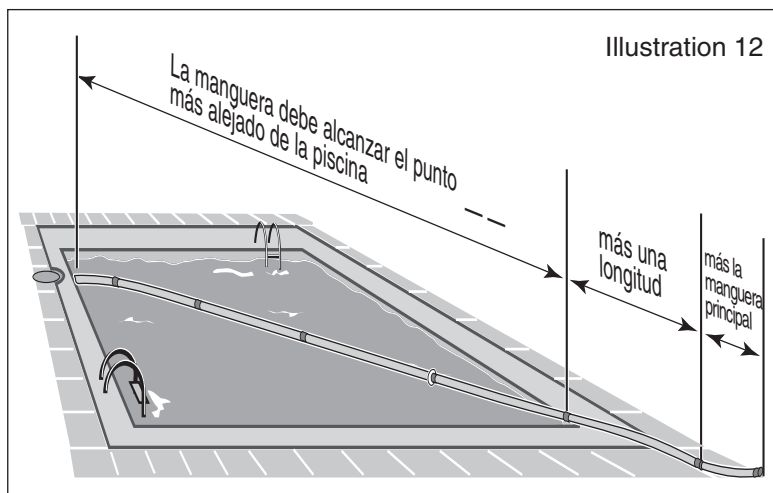
Longueur du tuyau

Remarque : La pompe doit être allumée au moment de vérifier la longueur du tuyau. Le tuyau se contracte quand la pompe est en marche et s'allonge quand la pompe est éteinte.

Quand le nettoyeur est en marche :

1. Positionner le nettoyeur dans la piscine le plus loin possible de l'endroit où il est raccordé. Utiliser une perche et une brosse pour positionner le nettoyeur facilement dans la piscine.
2. Le tuyau doit être suffisamment long pour atteindre l'extrémité de la piscine, avec une section de tuyau supplémentaire et la première section de tuyau. Voir l'**illustration 12**.
3. Retirer tout surplus de longueur du centre du tuyau. Cela permettra de ne pas altérer la position du flotteur pour tuyau.
4. Conserver les sections de tuyau en trop comme pièces de rechange.

Remarque : Éteindre la pompe de la piscine au moment d'ajouter ou de retirer des sections de tuyau.



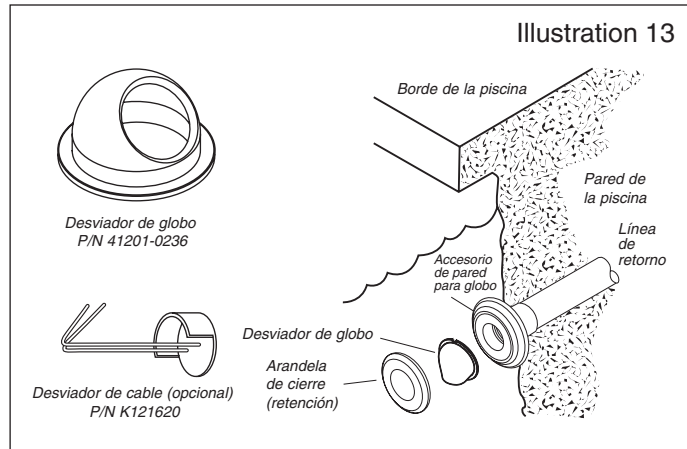
Conduite de retour du débit d'eau

IMPORTANT : Le débit d'eau provenant de votre conduite de refoulement peut pousser le tuyau du nettoyeur de piscine à aspiration Warrior™ et influencer sur son rendement. Cela peut forcer le nettoyeur à s'éloigner du bord de la piscine où se situe la conduite de refoulement ou à rester dans une section particulière de la piscine. Pour éviter ce problème, utiliser le déviateur à rotule fourni. Si le déviateur à rotule ne convient pas à votre piscine, utiliser le déviateur à fil de fer.

(N/P K121620) Déviateur à fil de fer disponible auprès de votre distributeur Pentair Aquatic.

Pour installer le déviateur à rotule :

- S'assurer tout d'abord que la pompe de votre piscine est éteinte. Retirer la rotule d'origine de la conduite de refoulement en dévissant l'anneau de retenue.
- Remplacer la rotule d'origine par le déviateur à rotule fourni avec votre nettoyeur Warrior.
- Remettre l'anneau de retenue et visser. S'assurer que l'ouverture du déviateur à rotule est tournée dans la bonne direction avant de serrer complètement.

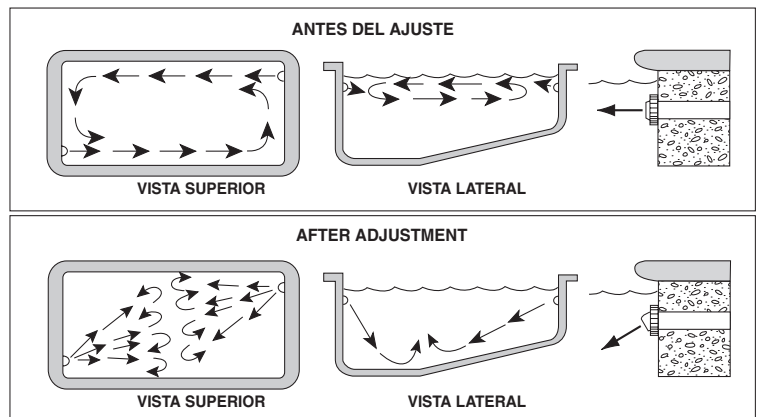


Positions du déviateur à rotule

Positionner l'ouverture du déviateur afin de rediriger l'eau de la conduite de refoulement pour qu'elle n'influe pas sur le mouvement du nettoyeur. Essayer différentes positions pour trouver celle qui fonctionne le mieux dans votre piscine :

- courant dirigé le long de la paroi (ligne de drain).
- courant dirigé vers le bas.
- courant dirigé contre le tuyau pour aider à détourner le nettoyeur d'obstacles comme des marches ou une échelle.

Après l'installation du déviateur à rotule, allumer la pompe de la piscine. Le nettoyeur devrait commencer à se déplacer au fond de la piscine en aspirant la saleté sur son chemin.



ENTRETIEN

Le nettoyeur de piscine à aspiration Warrior™ ne nécessite presque aucun entretien. Inspecter visuellement le nettoyeur de temps à autre pour s'assurer que :

- La turbine bouge librement et n'est pas bloquée par des débris. Voir la section « Retrait des débris logés dans la turbine » ci-dessous.
- Les pneus ne sont pas excessivement usés. Voir l'**illustration 18** à la page suivante.

Nous recommandons de toujours laisser le nettoyeur dans la piscine, sauf pendant un traitement chimique.

- Pendant l'utilisation de la piscine, il est facile de débrancher le nettoyeur et de le mettre de côté.
- **Remarque** : Ne pas enrouler le tuyau pour entreposer le nettoyeur. Placer le tuyau à plat dans une zone protégée des rayons du soleil.

Le tuyau de ce nettoyeur est conçu spécifiquement pour assurer une performance optimale. S'il doit être remplacé, demander un tuyau de nettoyeur Pentair original.

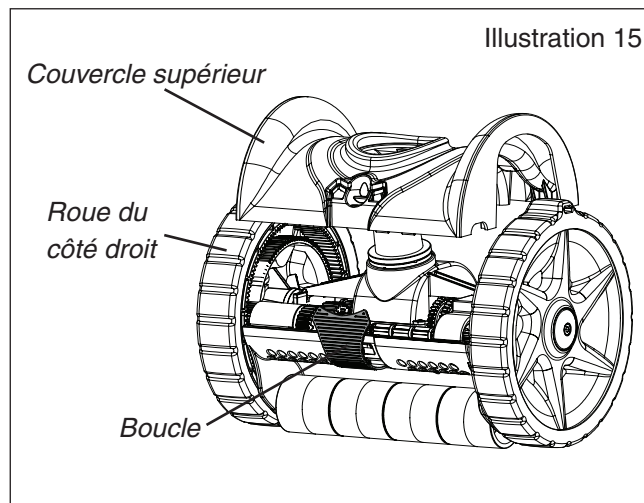
Retrait des débris logés dans la turbine

1. S'assurer que la pompe de la piscine est éteinte. Sortir le nettoyeur de la piscine et le débrancher de la première section de tuyau.
2. Vérifier que rien n'obstrue l'intérieur du nettoyeur. Il suffit pour cela de positionner le nettoyeur avec la roue face à vous et de tenter de tourner la roue droite vers l'avant. Si la roue tourne bien, il n'y a probablement pas d'obstruction. Si elle ne tourne pas bien, il y a une obstruction.
3. Placer le nettoyeur sur une surface de travail plane. Ouvrir la boucle située sur l'avant du nettoyeur en la tirant vers l'extérieur et vers le bas.

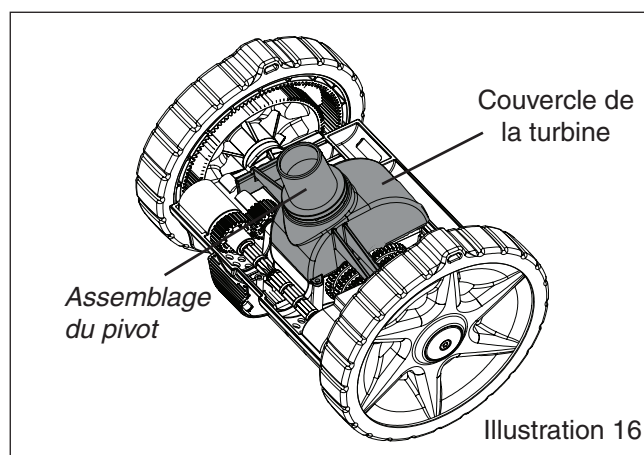
Lever l'avant du couvercle supérieur, puis le tirer fermement vers l'avant. Cela séparera le couvercle supérieur du boîtier du nettoyeur et vous permettra alors lever le couvercle supérieur vers le haut à partir du boîtier du nettoyeur (voir l'**illustration 15**). Garder le couvercle de côté.

Remarque : Le couvercle est conçu pour être bien serré, alors il se peut que vous deviez le remuer un peu.

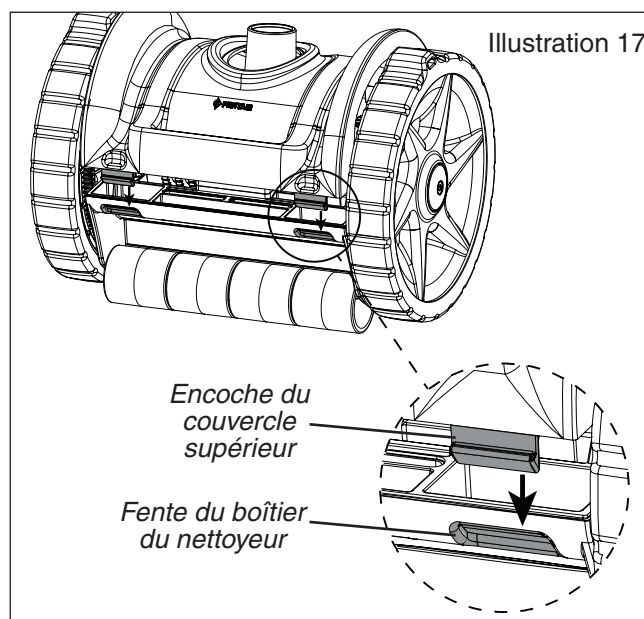
4. Tirer le couvercle de la turbine vers le haut pour l'enlever du boîtier du nettoyeur. Garder la turbine de côté. Voir l'**illustration 16**.
5. Retirer toute obstruction visible de la turbine et du couvercle de la turbine.
6. Replacer le couvercle de la turbine avec la partie pivotante orientée vers l'avant du nettoyeur. Voir l'**illustration 16**.
7. Inspecter le reste du nettoyeur et retirer tout débris qui aurait pu se loger dans les engrenages, les arbres de transmission, la partie pivotante, etc.
8. Répéter l'**étape 2 (tourner la roue de droite)** pour s'assurer que le nettoyeur fonctionne correctement.
9. Placer le couvercle supérieur sur la partie pivotante.
10. Placer les attaches situées à l'arrière du couvercle supérieur dans les fentes situées à l'arrière du boîtier du nettoyeur (voir l'**illustration 17**). Une fois que ces attaches sont placées dans les fentes, l'avant du couvercle s'emboîtera.
11. Verrouiller le couvercle supérieur sur le boîtier du nettoyeur avec la boucle de verrouillage située à l'avant du nettoyeur.



Retrait du couvercle supérieur



Partie pivotante et parties internes du nettoyeur



Encoches du couvercle et fentes du boîtier correspondantes

Remplacement du pneu

Après une utilisation prolongée, il peut être nécessaire de remplacer les pneus en caoutchouc du nettoyeur de piscine à aspiration Warrior™. Lorsque la surface du pneu est usée jusqu'aux rainures, il est temps de remplacer le pneu. Voir l'**illustration 18**.

Pour enlever le pneu du nettoyeur :

1. Éteindre la pompe de la piscine et retirer le nettoyeur de la piscine.
2. Débrancher le nettoyeur de la première section de tuyau.
3. Placer le nettoyeur sur une surface de travail plane et retirer le pneu de la roue du haut vers le bas.

Remarque : Retirer le pneu à la main. L'utilisation d'autres objets (tournevis, clés Allen, etc.) pour enlever le pneu peut endommager la roue.

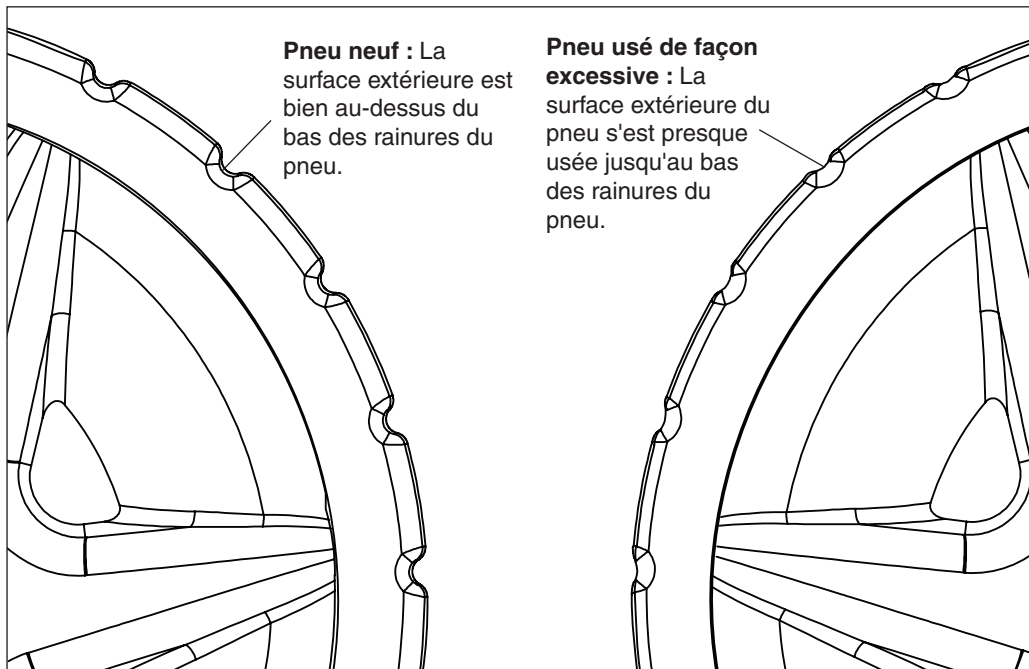


Illustration 18 : Comparaison d'usures de pneus

Pour installer le pneu de rechange :

1. Placer le nettoyeur sur une surface de travail plane et installer la partie supérieure du pneu en caoutchouc sur le haut de la roue. S'assurer que le bord arrière du pneu repose à plat sur le bord intérieur de la roue.

Remarque : Remplacer le pneu à la main. L'utilisation d'autres objets (tournevis, clés Allen, etc.) pour enlever le pneu peut endommager la roue.

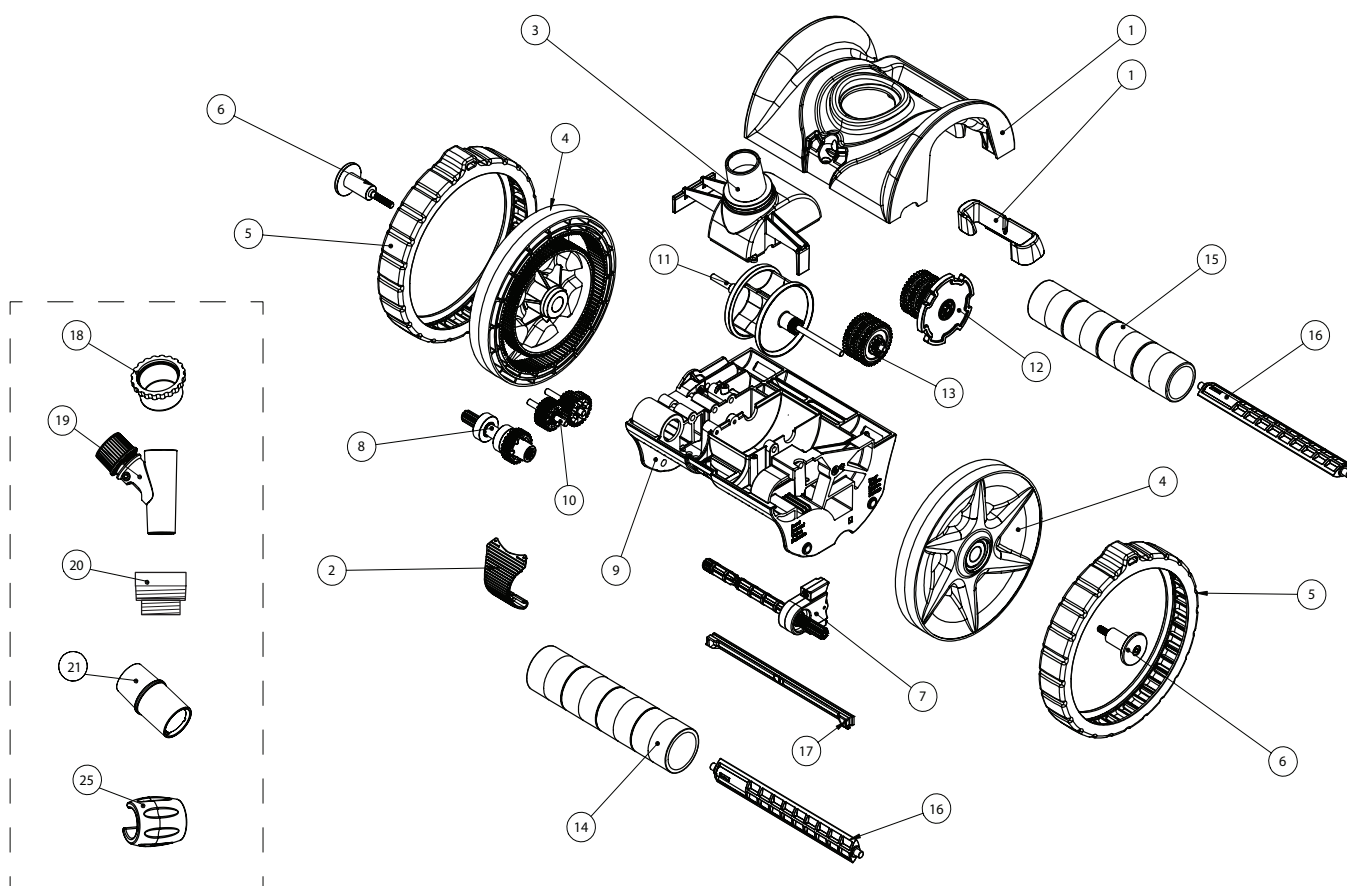
2. Étirer le bas du pneu sur le bas de la roue. S'assurer que le bord arrière du pneu repose à plat sur le bord intérieur de la roue.
3. Replier le bord arrière du pneu sur l'arrière de la roue du nettoyeur le long de la roue entière du nettoyeur. Le pneu doit reposer à plat sur la surface supérieure de la roue.

DÉPANNAGE

En fonction des caractéristiques de votre piscine, certains réglages supplémentaires pourraient être nécessaires afin d'obtenir le meilleur rendement de votre nettoyeur de piscine à aspiration Warrior™. Utiliser les instructions suivantes pour résoudre tout problème potentiel.

PROBLÈME	MESURE CORRECTIVE
Le nettoyeur ne bouge pas ou bouge trop lentement.	<p>Vérifier l'écoulement à l'aide du débitmètre inclus ou en calculant les tr/min du nettoyeur et, au besoin, ajuster l'écoulement à l'aide de la soupape de régulation. Voir page 5.</p> <p>Vérifier si des débris encombrant l'intérieur du nettoyeur. Voir page 8.</p> <p>Vérifier que la pompe est amorcée. Vérifier s'il y a des fuites dans le système qui pourraient gêner l'amorçage.</p> <p>L'écoulement traversant le système peut être insuffisant. Il peut être nécessaire de laver le filtre.</p> <p>S'assurer que la conduite d'évacuation principale et toutes les conduites d'aspiration sont fermées, à l'exception de la conduite d'aspiration à laquelle le nettoyeur est raccordé.</p> <p>Vérifier la présence d'obstruction dans le système (p. ex., des débris dans le filtre, le panier de la pompe ou la turbine de la pompe).</p> <p>La pompe de la piscine et le système de filtre peuvent être trop petits pour fournir un écoulement d'eau suffisant. Communiquer avec un spécialiste en piscines.</p>
La roue droite du nettoyeur ne tourne pas quand elle est actionnée à la main.	Vérifier la présence d'obstruction à l'intérieur du nettoyeur. Voir page 8.
Le nettoyeur reste toujours du même côté de la piscine.	<p>Vérifier l'écoulement à l'aide du débitmètre inclus ou en calculant les tr/min du nettoyeur et, au besoin, ajuster l'écoulement à l'aide de la soupape de régulation. Voir page 5.</p> <p>Vérifier le débit d'eau de la conduite de refoulement et installer le déviateur à rotule fourni pour rediriger l'appareil. Voir page 7.</p> <p>Vérifier que le tuyau est suffisamment long pour atteindre le point le plus éloigné de la piscine. Voir page 6.</p> <p>Vérifier que le flotteur pour tuyau est correctement placé. Le flotteur peut être dans une mauvaise position. Voir page 2.</p> <p>S'assurer que la partie pivotante (en haut du nettoyeur) tourne bien. Si ce n'est pas le cas, il se peut que la partie pivotante soit sale et qu'elle ait besoin d'être nettoyée.</p>
Le nettoyeur monte trop sur les parois ou sort de la piscine.	Vérifier l'écoulement à l'aide du débitmètre inclus ou en calculant les tr/min du nettoyeur et, au besoin, ajuster l'écoulement à l'aide de la soupape de régulation. Voir page 5.
Le nettoyeur ne monte pas les parois de la piscine.	<p>Vérifier que les pneus du nettoyeur ne sont pas usés de façon excessive. Voir page 9. Des pneus trop usés ne fourniront pas l'adhérence nécessaire à votre nettoyeur pour monter les parois de la piscine.</p> <p>Vérifier l'écoulement à l'aide du débitmètre inclus ou en calculant les tr/min du nettoyeur et, au besoin, ajuster l'écoulement à l'aide de la soupape de régulation. Voir page 5.</p> <p>Vérifier que la première section de tuyau a été installée et qu'elle est au bon endroit. Voir page 2.</p> <p>Vérifier que le flotteur pour tuyau est correctement placé. Le flotteur peut être dans une mauvaise position. Voir page 2.</p>
Le nettoyeur reste au niveau de la bouche d'évacuation principale.	<p>S'assurer que la bouche d'évacuation principale est fermée. L'assistance d'un spécialiste en piscines pourrait être nécessaire.</p> <p>S'assurer que la bouche d'évacuation principale est munie d'une grille.</p>
Le nettoyeur tombe sur le côté et met trop de temps pour se redresser.	<p>Vérifier que le flotteur pour tuyau est correctement placé. Le flotteur peut être dans une mauvaise position. Voir page 2.</p> <p>Vérifier que la première section de tuyau a été installée et qu'elle est au bon endroit. Voir page 2.</p> <p>Vérifier que le tuyau est suffisamment long pour atteindre le point le plus éloigné de la piscine. Voir page 6.</p> <p>Les connecteurs de retour du déviateur à rotule poussent peut-être sur les tuyaux du nettoyeur et les éloignent. Voir page 7.</p>

PIÈCES DE RECHANGE



FRANÇAIS

N° d'article	N/P	DESCRIPTION	N° d'article	N/P	DESCRIPTION
1	360304	Ensemble de couvercle supérieur	15	360297	Ensemble du rouleau arrière
2	360305	Ensemble de boucle	16	360298	Ensemble de tasseau à rouleaux
3	360285	Ensemble de partie pivotante	17	360299	Ensemble de barre antiusure
4	360306	Ensemble de roue	18	41200-0211	Capuchon de soupape
5	360287	Ensemble de pneu	19	41200-0200	Soupape de régulation
6	360288	Ensemble de moyeu de roue	20	K70079	Adaptateur à compression fileté
7	360289	Ensemble de roue gauche	21	41200-0210	Débitmètre
8	360290	Ensemble de roue droite	*22	GW9530	Seuil de la conduite d'aspiration
9	360291	Ensemble de couvercle inférieur	*23	41201-0236	Déviateur à rotule (x2)
10	360292	Ensemble d'engrenage d'entraînement	*24	K60465	Protecteur de tuyau
11	360293	Ensemble de turbine	25	360317	Flotteur pour tuyau
12	360294	Ensemble de cames	*26	360309	Ensemble de tuyaux
13	360295	Ensemble de distribution à cames	*27	360308	Première section de tuyau
14	360296	Ensemble du rouleau avant			

Remarque : (*) non illustré



1620, HAWKINS AVE., SANFORD, NC 27330 • 919-566-8000
10951, WEST LOS ANGELES AVE., MOORPARK, CA 93021 • 805-553-5000
WWW.PENTAIRPOOL.COM

Toutes les marques de commerce et tous les logos Pentair sont la propriété de Pentair ou de l'une de ses filiales internationales. Pentair Aquatic Systems™, Kreepy Krauly® et Warrior™ sont des marques de commerce ou des marques déposées de Pentair Water Pool and Spa, Inc. ou de ses sociétés affiliées aux États-Unis ou dans d'autres pays. Sauf indication expressément contraire, les noms et les marques de tiers qui peuvent être utilisés dans le présent document ne sont pas utilisés pour indiquer une affiliation ou une approbation entre les propriétaires de ces marques et Pentair Water Pool and Spa, Inc. Ces noms et ces marques peuvent être des marques de commerce ou des marques déposées de ces tiers. Parce que nous améliorons constamment nos produits, Pentair se réserve le droit de changer ses caractéristiques sans avis préalable. Pentair offre l'égalité d'accès à l'emploi.

© 2014 Pentair Water Pool and Spa, Inc. Tous droits réservés. Ce document peut être modifié sans avis préalable.



N/P 371302 REV. A 8/28/14