

3900 Sport/P39

OWNER'S MANUAL

ENGLISH | FRANÇAIS | ESPAÑOL

Important Information

- Before installing the cleaner, make sure the pool filter is clean.
- New plumbing lines should be flushed out before installing the cleaner.
- The Polaris should not be used to remove plaster dust in new pools.
- Disconnect the cleaner before cleaning or backwashing the pool filter. After cleaning, let the filtration system run for at least five (5) minutes before re-connecting the cleaner.
- Always remove the Polaris from the pool before super oxidation or chlorination treatments.

 **WARNING**

To avoid risk of injury, do not handle the Polaris while it is operating, except when checking the wheel RPM. Always remove the cleaner before swimmers enter the pool.

For customer service or support:

- Please mail Warranty Card immediately.
- For on-line support: www.polarispool.com
- To contact Polaris:
 - US**
Customer Service
2620 Commerce Way
Vista, CA 92081-8438
1-800-822-7933
 - Canada**
2115 South Service Road West, Unit 3
Oakville, Ontario • Canada L6L 5W2
1-888-647-4004

CAUTION: USE OF THE POLARIS IN A VINYL LINER POOL

Certain vinyl liner patterns are particularly susceptible to rapid surface wear or pattern removal caused by objects coming into contact with the vinyl surface, including pool brushes, pool toys, floats, fountains, chlorine dispensers, and automatic pool cleaners. Some vinyl liner patterns can be seriously scratched or abraded simply by rubbing the surface with a pool brush. Ink from the pattern can also rub off during the installation process or when it comes into contact with objects in the pool. Zodiac Pool Systems, Inc. is not responsible for, and the Limited Warranty does not cover, pattern removal, abrasion or markings on vinyl liners.

Introduction

Congratulations on the purchase of your new automatic pool cleaner, and thank you for choosing Polaris. The Polaris 3900 Sport/P39 is designed to give you years of dependable and efficient service.

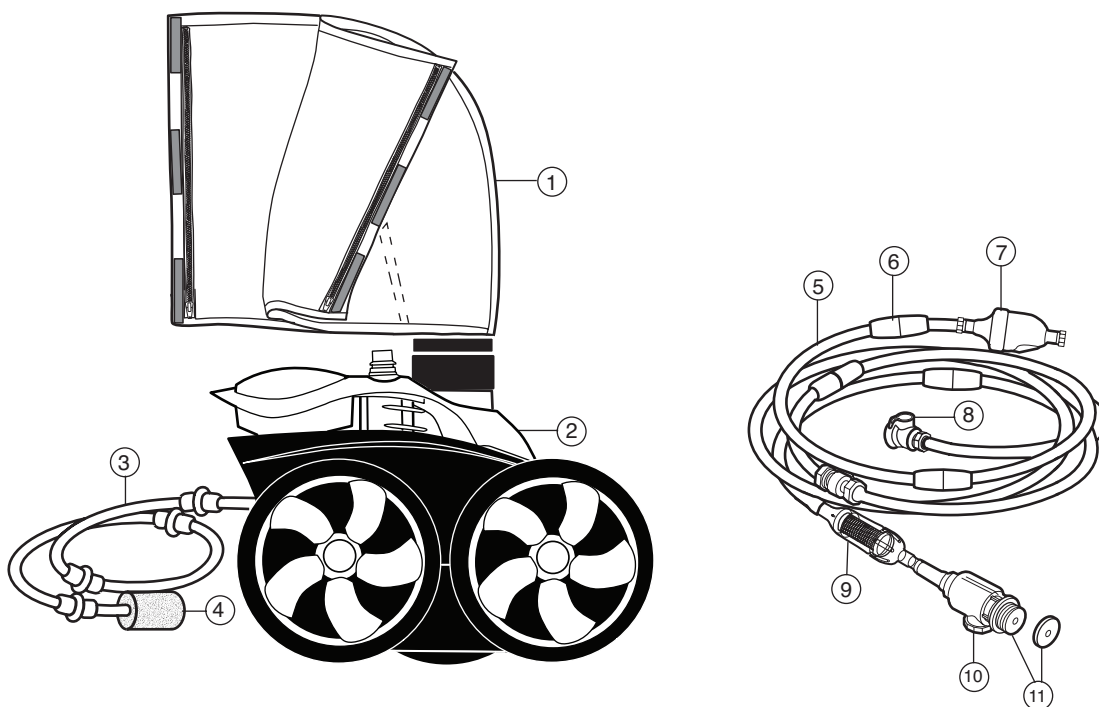
Like most mechanical devices, it will require periodic adjustments, routine maintenance, and the replacement of certain hardworking parts. Please have the cleaner checked occasionally by your local Polaris dealer or service center.

Always insist on genuine Polaris replacement parts. Non-Polaris parts are not made to our specifications. They may have an adverse effect on the operation of your Polaris or may even damage it.

For best results, the cleaner should be installed by a pool professional. For those with experience and confidence in handling plumbing and mechanical equipment, installation is outlined in this manual.

Polaris 3900 Sport/P39 Components

- | | |
|---|--|
| 1. SuperBag (Double) All-Purpose Zippered Bag | 7. Back-up Valve |
| 2. Cleaner Body | 8. Feed Hose Connector |
| 3. Sweep Hose | 9. In-Line Filter with Filter Screen |
| 4. Tail Sweep Pro® (with Sweep Hose Scrubber) | 10. Quick Disconnect with Universal Wall Fitting |
| 5. Feed Hose | 11. UWF® Restrictor Disks, Red and Blue |
| 6. Hose Floats | |

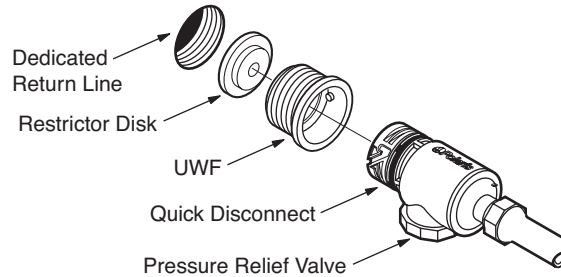


Quick Installation Instructions

1

Install the Universal Wall Fitting

1. Turn on the filtration pump and flush out the plumbing line. Turn pump off.
2. Remove the Universal Wall Fitting (UWF®) from the Quick Disconnect and screw it into the return opening with the blue restrictor disk in place.
3. Turn the Quick Disconnect clockwise into the UWF and pull away to secure. The Quick Disconnect will click into place.



2

Adjust Feed Hose To Fit Pool Length

1. Measure the deepest part of the pool. Cut leader hose from the end that attaches to the feed hose (away from the back up valve) so length is equal to the greatest depth of the pool.
2. Attach leader hose to feed hose and connect hose to the pool wall at the return line. Extend hose to farthest point of pool. The hose end must be within 6 inches – longer or shorter – of the farthest point. See diagram below.

If hose is too long: Separate hose at center swivel. Cut half of the overage from each 10-foot feed hose section that attaches to the center swivel.

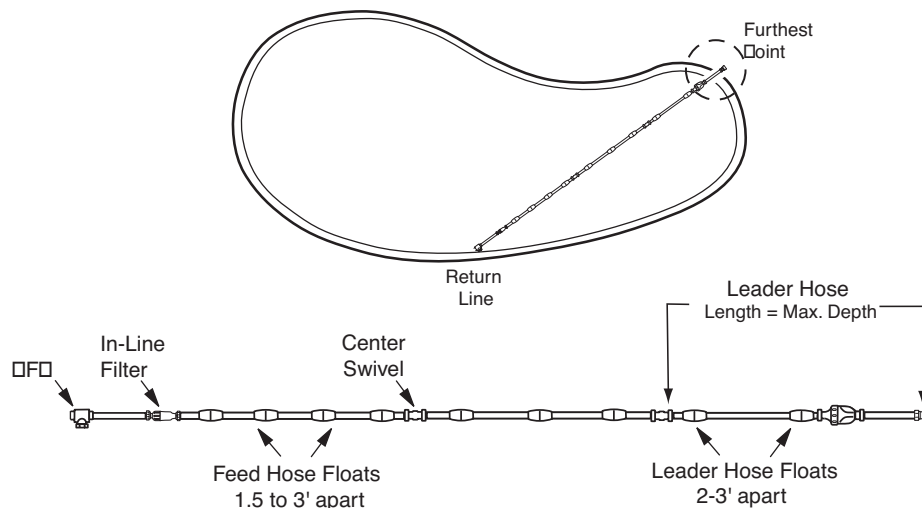
If hose is too short: Add a feed hose section (part #9-100-3104), a swivel (part #D20) and two (2) hose nuts (part #D15). Adjust to proper length.

Each feed hose section should be equal in length after adjustments.

3. After adjusting the length, position the hose floats as shown.

⚠ CAUTION

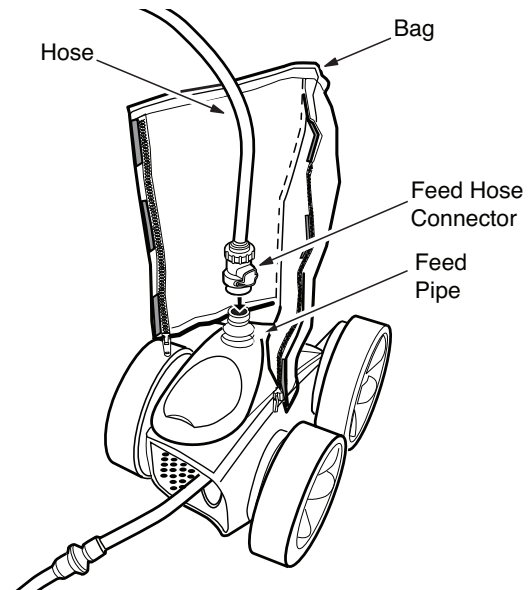
Use caution when cutting the hose to prevent injury inflicted by the cutting tool.



3

Assemble the Cleaner

1. Attach the feed hose connector to the feed pipe by pressing it down firmly until it locks.
2. The filter bag is packaged in the collar area on the vacuum tube. Pull out the bag, separate the velcro strips, wrap it around the hose and resecure with velcro strips.
3. Turn on the pool filtration pump and allow it to prime before turning on the booster pump. (Refer to booster pump manufacturer's instructions for booster pump priming time.)



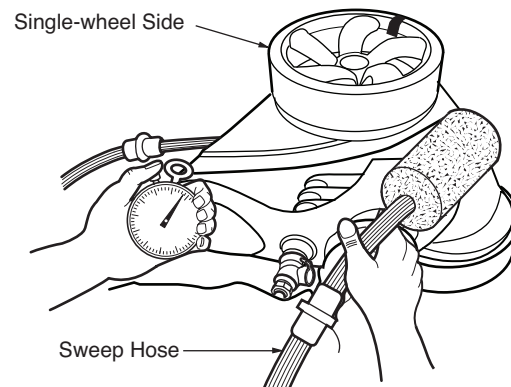
4

Check for Proper RPM

Before operating the Polaris, check for proper wheel revolutions per minute (RPM). For maximum efficiency, the cleaner should operate **between 30 and 36 RPM**.

1. Mark the single-wheel side tire.
2. Turn pump on, hold cleaner below water level and count wheel revolutions for one minute.

If count is not in target range, refer to **Adjusting the Wheel RPM** in the Troubleshooting section for more information.

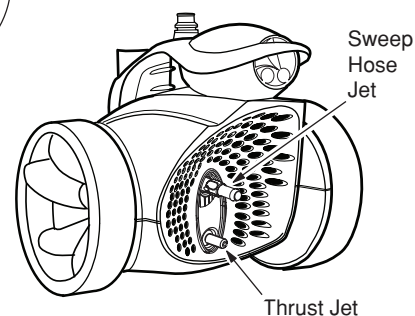
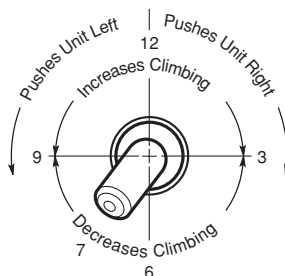


Fine Tuning The Cleaner

When operating correctly, the cleaner vacuums, sweeps and scrubs all surfaces randomly throughout the pool. Approximately every three (3) minutes the cleaner goes into back-up mode. This action pulls the cleaner away from pool obstacles and increases its random pattern.

Thrust Jet Adjustment

The thrust jet powers the direction of the cleaner. Factory position is seven (7) o'clock but, depending on the pool, other settings can be helpful to improve cleaner coverage.



Sweep Hose Adjustment

The sweep hose should move in a gentle sweeping motion. To adjust the motion, turn off the booster pump and turn the sweep jet clockwise to increase or counter-clockwise to decrease the movement.

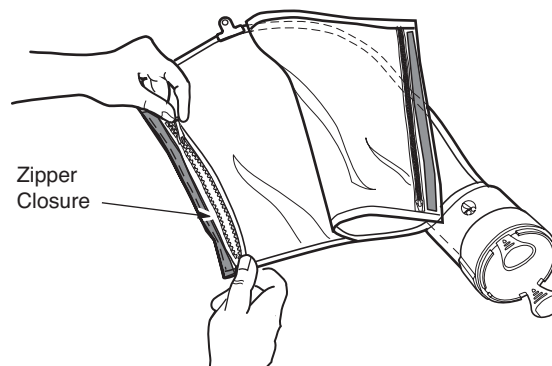


Routine Maintenance

Cleaning the Bag

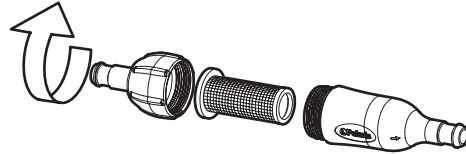
- ➔ Empty the filter bag when it is half full, especially if the debris load is sand.
- ➔ It is easier to empty the filter bag when it is dry. Alternate between two (2) bags.

To remove the bag, detach the velcro strips. Twist the bag collar and pull up to free the bag from the cleaner. Unzip both sides of the bag to remove the debris.



Cleaning the In-Line Filter Screen

To clean the in-line filter screen, pull it out of the filter assembly, rinse and press firmly back into place.



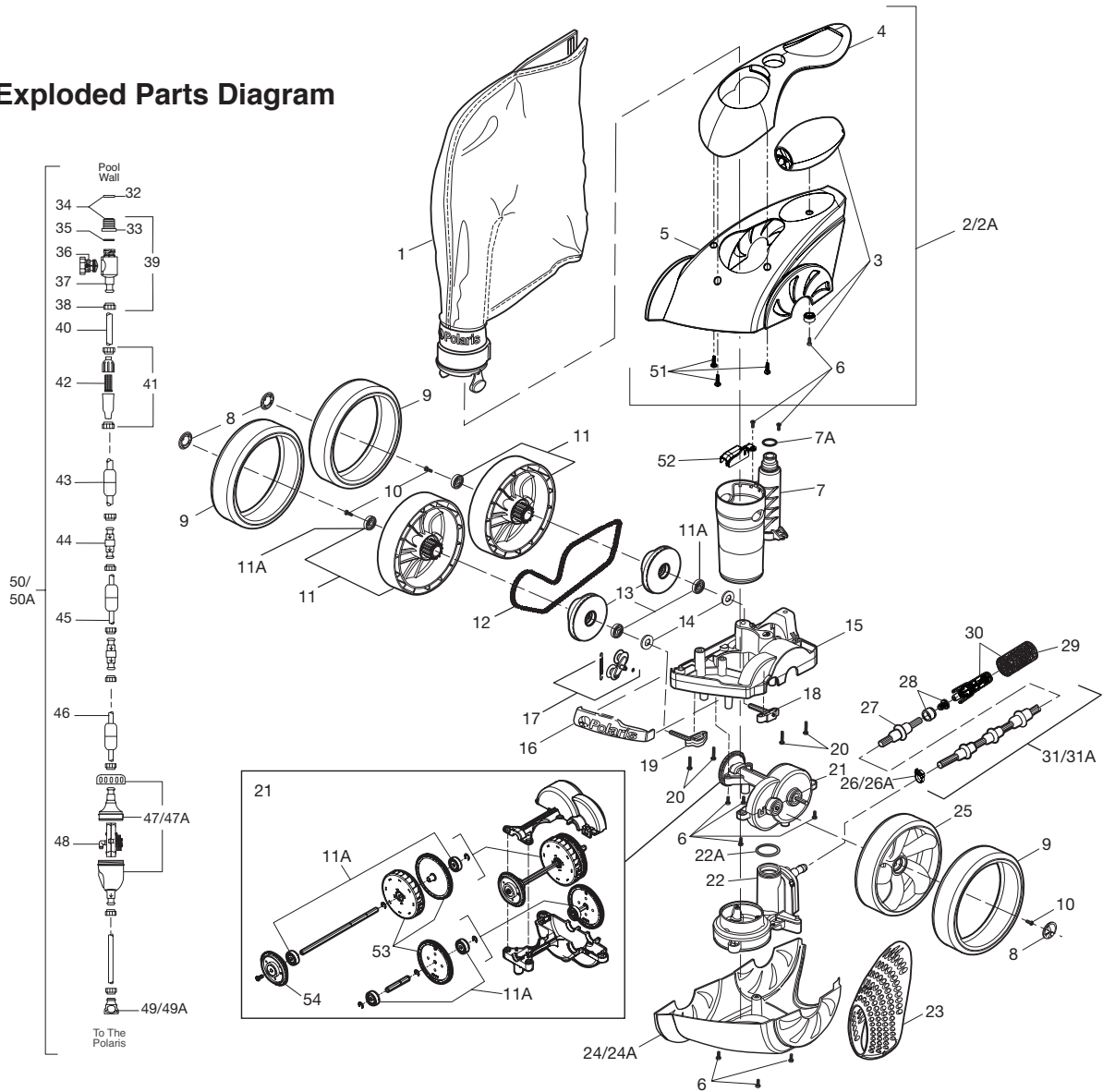
⚠ CAUTION

Always disconnect the Polaris before cleaning or backwashing your pool filter to avoid potential clogging or damage to the system. Allow the filtration system run for at least five (5) minutes before re-connecting the cleaner.

Storage and Winterizing

Never store the cleaner in direct sunlight. When storing for the winter, drain all the water from the cleaner (freeze damage is not covered under the warranty). Use the Quick Disconnect to remove the UWF from the pool wall. If necessary, use the UWF Removal Tool (part #10-102-00) available from any Polaris dealer.

Exploded Parts Diagram



No.	Part #	Description	Qty	No.	Part #	Description	Qty	No.	Part #	Description	Qty
1	39-310	3900 Sport/P39 SuperBag*	1	22	39-300	WMS Assembly with O-Ring	1	38	D16	Nut, Feed Hose, Black	10
2	39-003	3900 Top Housing Assembly	1	22A	R0544000	O-ring WMS Upper to Vactube Interface	1	38A	D15	Nut, Feed Hose, Gray	10
2A	R0669900	P39 Top Housing Assembly	1	23	39-005	Rear Housing	1	39	9-100-9005	UWF Connector Assy, Black	1
3	R0538000	Float, Head Kit	1	24	39-004	3900 Bottom Housing	1	39A	9-100-9001	UWF Connector Assy, Gray	1
4	R0537900	Canopy	1	24A	R0669700	P39 Bottom Housing	1	40	D44	Adapter Hose, 8-1/2"	1
5	R0538100	Housing Top	1	25	39-401	Single-Side Wheel	1	41	48-080	In-line Filter Assy, Gray	1
6	C40	Screw, 10-32 x 3/8" SS Pan Head	17	26	B16	Sweep Hose Attach Clamp, Black	1	41A	48-085	In-line Filter Assy, Black	1
7	39-006	Vacuum Tube/Feedpipe Assy with O-Ring	1	26A	B15	Sweep Hose Attach Clamp, Gray	1	42	48-222	Screen, In-line Filter	1
7A	48-141	O-ring, Feed Hose Connector	1	27	39-021	Sweep Hose Wear Ring, Blue*	8	43	D11	Float, Feed Hose, Black	9
8	39-008	Hubcap	3	28	B25	Orifice Tip w/ Orifice Tip Guard	1	43A	D10	Float, Feed Hose, Gray	9
9	48-232	WideTrax® Tire, Black*	3	29	9-100-3105	Sweep Hose Scrubber*	1	44	D21	Swivel Ball Bearing, Black	3
10	48-036	Wheel Lock Screw	3	29	R0522400	Sweep Hose Scrubber, 3 pk	1	44A	D20	Swivel Ball Bearing, Gray	3
11	39-410	Double-Side Wheel w/Bearing	2	30	R0540000	Tail Sweep Pro®, Bulk Box (18)	1	45	D47	Feed Hose, 10 ft., Black	2
11A	9-100-1108	Ball Bearing	8	31	TSP10S	TailSweep PRO, Strip Clip	12	45A	D45	Feed Hose, 10 ft., Gray	2
12	39-126	Chain*	1	31A	39-500	Sweep Hose Complete, Black*	1	46	D52	Leader Hose, 10 ft., Black	1
13	39-420	Wheel Sprocket Assy w/Bearing	2	32	R0669600	Sweep Hose Complete, Gray*	1	46A	D50	Leader Hose, 10 ft., Gray	1
14	39-602	Wheel Spacer	2	32	10-112-00	UWF® Restrictor Disk, Red & Blue	2	47	G62	Back-up Valve Kit, Black	1
15	39-100	Frame (Warranty only)	1	33	6-550-00	Universal Wall Fitting, Black	1	47A	G52	Back-up Valve Kit, Gray	1
16	39-111	Bumper	1	33A	6-550-00	Universal Wall Fitting, Gray	1	48	G53	Mechanism for G52	1
17	39-120	Chain Tensioner Kit	1	34	10-108-00	UWF Restrictor Kit, Gray	1	49	48-240	Feed Hose Connector Assembly, Black	1
18	39-430	Rear Axle Block Assy	1	35	6-505-00	O-Ring, UWF	1	49A	48-140	Feed Hose Connector Assembly, Gray	1
19	39-440	Front Axle Block Assy	1	36	9-100-9006	Pressure Relief Valve, Black	1	50	G6	Feed Hose Assembly Complete, Black	1
20	48-045	Screw, 10-32 x 7/8" SS Pan Head with Star Washer	4	36A	9-100-9002	Pressure Relief Valve, Gray	1	50A	G5	Feed Hose Assembly Complete, Gray	1
21	39-200	Gearbox Assembly	1	37	D30	Quick Disconnect, UWF Black	1	51	R0538200	Screw, Self Tapping, Canopy	3
				37A	D29	Quick Disconnect, UWF Gray	1	52	R0537800	Chain Guard	1
								53	R0547400	Turbine Gear Assy	3
								54	R0547500	Drive Sprocket Assy	2

*Wear items not covered by warranty.

Troubleshooting

If the cleaner regularly displays any of the following actions, adjustments may be necessary to restore performance. Refer to the exploded parts diagram for part references.

Action: Cleaner hangs up on steps or other obstacles for longer than 3 minutes.

- Solution:
1. Check the wheel RPM.
 2. Verify the back-up valve is cycling. Lift the valve out of the water and watch the jet. It should come on and go off.
 3. Adjust the thrust jet.
 4. Remove unnecessary pool hardware or install a Ladder Guard Kit (part #G21).

Action: Cleaner is sluggish, running with less power than normal.

- Solution:
1. Check the filter screen in the in-line filter assembly and clean if necessary.
 2. Clean the skimmer basket, pump basket, and pool filter.
 3. Check the hoses, hose connections, and swivels for leaks that could cause loss of water pressure.
 4. Check the wheel RPM. If below 30 RPM, see **Adjusting the Wheel RPM** to increase flow to cleaner.

Action: Cleaner races around the pool and/or does not make contact with the pool bottom.

- Solution:
1. Check the wheel RPM. If more than 36 RPM, see **Adjusting the Wheel RPM** to reduce flow.
 2. Verify the back-up valve is cycling. Lift the valve out of the water and watch the jet. It should come on and go off.

Action: Cleaner doesn't back up.

- Solution:
1. Verify the back-up valve is cycling. Lift the valve out of the water and watch the jet. It should come on and go off.
 2. Check the wheel RPM. If not in 30-36 RPM range, see **Adjusting the Wheel RPM**.
 3. If the filter bag is full, empty or replace it.
 4. Make sure feed hose is floating.

Action: Cleaner only turns in one direction.

- Solution:
1. Adjust the thrust jet.
 2. Make sure feed hose is floating.

Action: Feed hose becomes tangled.

- Solution:
1. Remeasure the hose to verify that it is adjusted to the proper length for the pool.
 2. With the cleaner operating, check that the swivels and hose connections turn freely.
 3. Make sure the feed hose is floating.
 4. With the Polaris operating, hold the cleaner under water and verify that all three (3) wheels are turning together.

Action: The front end of the cleaner lifts all the time.

- Solution:
1. Check the wheel RPM. If not in 30-36 RPM range, see **Adjusting the Wheel RPM**.
 2. Adjust the thrust jet downward.
 3. Verify the back-up valve is cycling. Lift the valve out of the water and watch the jet. It should come on and go off.
 4. Check for water inside the cleaner float.

Action: Sweep hose is sucked into the vacuum tube.

- Solution:**
1. Make sure the opening at the end of the sweep hose is not blocked by the sweep hose scrubber. Replace scrubber if it is worn or missing.
 2. Adjust the sweep hose to a gentle sweeping motion.
 3. Check the wheel RPM. If more than 36 RPM, see **Adjusting the Wheel RPM** to reduce flow.
 4. Add a sweep hose weight (part #B2).

Action: The cleaner does not clean the entire pool.

- Solution:**
1. Verify that feed hose reaches within 6 inches of the farthest point of the pool. If not, order a new hose section from your Polaris dealer.
 2. Adjust thrust jet to improve coverage.

Action: The cleaner is running in circles on its side.

- Solution:**
1. Check for water inside the cleaner float.
 2. Check the filter bag, if full it can weigh the cleaner down on one side.
 3. Check the hose floats to make sure they are spaced evenly.
 4. Check the wheel RPM. If more than 36 RPM, see **Adjusting the Wheel RPM** to reduce flow.

Adjusting the Wheel RPM

If count is less than 30 RPM:

- If an adjustable valve is installed on the cleaner line, open it completely so water can flow freely to the Polaris.
- Check the filter screen in the in-line filter for debris that restricts water flow.
- Clean the skimmer, filter and pump basket, clearing debris that restricts water flow.
- Check the hoses, connections and swivels for leaks that cause loss of water pressure.
- Remove the blue restrictor disk from the UWF®.

If count is more than 36 RPM:

- Replace the blue restrictor disk in the UWF with the red restrictor. If the flow is still too high, unscrew the pressure relief valve until the proper RPM is reached.

NOTE The pressure relief valve should only be adjusted when a restrictor is installed.

- If an adjustable valve is installed on the cleaner line, adjust it to reduce the water flow to the cleaner.

Troubleshooting Worksheet

If these solutions do not result in improved performance, contact the Polaris dealer who sold you the cleaner or call Customer Service.

In order to provide faster and more convenient service, please have the following information available at the time of your call or when taking the Polaris in for service.

1. **Serial #:** _____
2. **Wheel RPM:** _____
3. **Is the back-up valve cycling?**
 Yes No
4. **Is the feed hose the proper length?**
 Yes No
5. **Are the swivels rotating freely?**
 Yes No
6. **How often do you clean the filter screen inside the quick disconnect?**
 Never Once a Week
 Twice a Week Once a Month
7. **Are the vacuum jets obstructed?**
(While the cleaner is operating, hold it upside down and look into the vacuum tube. There should be three (3) distinct, even jets of water.)
 Yes No
8. **Is the drive train functioning?**
(As you spin each wheel independently, all the wheels should spin.)
 Yes No

Information importante

- Avant d'installer le robot, assurez-vous que le filtre de la piscine soit propre.
- Les nouvelles lignes de plomberie devraient être délogées avant d'installer le robot.
- Le Polaris ne doit pas être utilisé pour enlever la poussière de plâtre des nouvelles piscines.
- Débranchez le robot avant de nettoyer ou remuer le filtre de la piscine. Après le nettoyage, laissez le système de filtration fonctionner pendant au moins cinq (5) minutes avant de raccorder le robot à nouveau.
- Enlevez toujours le Polaris de la piscine avant des traitements d'oxydation ou chloration chimiques.



AVERTISSEMENT

- Sauf lors de la révision des r/min des roues, ne manipulez jamais le Polaris en fonctionnement.
- Enlevez toujours le robot avant que les nageurs entrent dans la piscine.

Pour obtenir du service à la clientèle ou d'assistance :

- Veuillez envoyer immédiatement la carte de garantie par courrier.
- Pour assistance en-ligne : www.polarispool.com
- Pour communiquer avec Polaris : É.-U.
2620 Commerce Way
Vista, CA 92081-8438
1-800-822-7933
Canada
2115 South Service Road West, Unit 3
Oakville, Ontario • Canada L6L 5W2
1-888-647-4004

AVERTISSEMENT: USAGE DE POLARIS DANS UNE PISCINE À SURFACE DE VINYLE

Certains modèles de revêtement en vinyle sont particulièrement susceptibles à une usure extérieure rapide ou à une élimination du motif provoqué par les objets qui entrent en contact avec la surface de vinyle, y compris des brosses de piscine, des jouets de piscine, des flotteurs, des fontaines, des distributeurs de chlore et des produits de nettoyage automatique de la piscine. Certains modèles de revêtement en vinyle peuvent être sérieusement rayés ou éraflés lorsque leur surface est frottée avec une brosse de piscine. L'encre du modèle peut également s'effacer pendant le procédé d'installation ou quand elle entre en contact avec des objets dans la piscine. Zodiac n'est pas responsable de l'élimination du dessin, des coupures, des éraflures ou des inscriptions sur les revêtements en vinyle, et cette garantie ne couvre pas ces situations.

Introduction

Félicitations! Vous avez acheté un nouveau robot automatique de piscines. Merci d'avoir choisi Polaris. Le Polaris P39/3900 Sport fut créé pour vous rendre plusieurs années de service efficient et fiable.

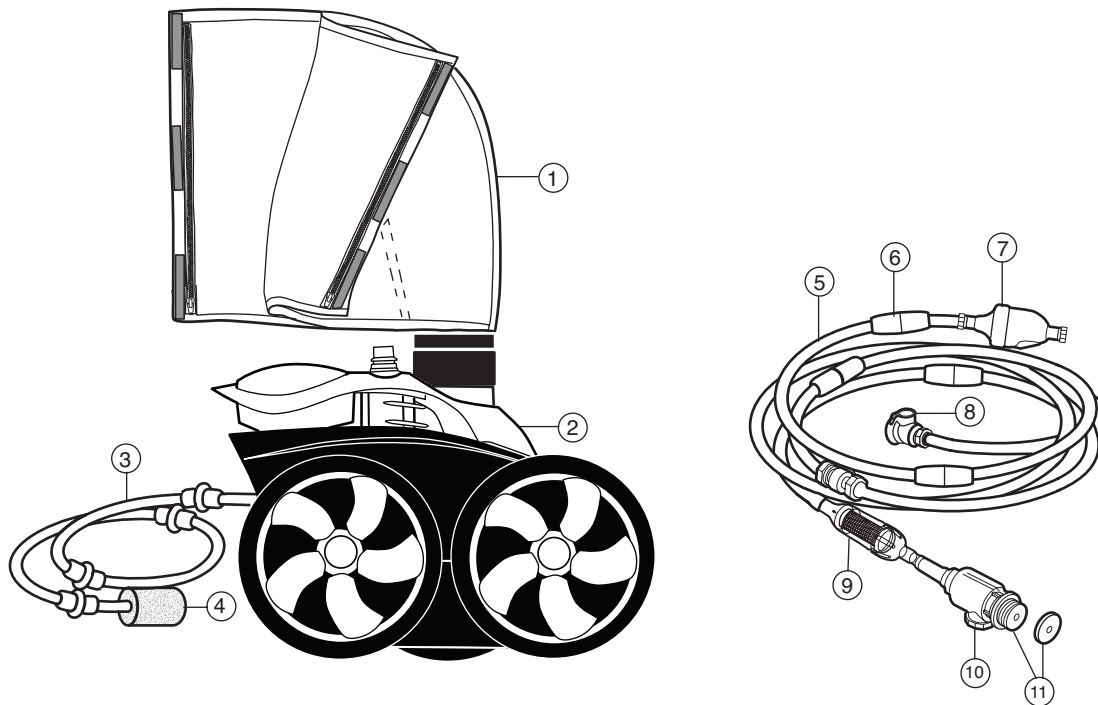
Tel que la majorité des appareils mécaniques, il exigera des réglages périodiques, des entretiens de routine et le remplacement de certaines parties d'usage continu. Veuillez faire réviser votre robot occasionnellement par votre distributeur Polaris local ou par le centre de service.

Insistez toujours à obtenir des parties de remplacement Polaris originales. Les parties non-Polaris ne sont pas créées pour nos spécifications. Elles peuvent causer des inconvénients lors de l'utilisation de votre Polaris ou même l'endommager.

Pour obtenir des résultats optimaux, le robot devrait être installé par un professionnel des piscines. L'installation est décrite dans ce manuel pour ceux avec l'expérience et la confiance à faire de la plomberie et à manipuler des équipes mécaniques.

Composants du Polaris P39/3900 Sport

1. SuperSac (Double) sac polyvalent à fermeture à glissière
2. Corps nettoyant
3. Tuyau balai
4. Brosse de tuyau balai à force Tail Sweep Pro™
5. Tuyau d'alimentation
6. Flotteurs de tuyau
7. Soupape auxiliaire
8. Connecteur de tuyau d'alimentation
9. Filtre intégré avec écran de filtre
10. Connexion rapide avec raccord mural universel
11. Disques d'étranglement de débit du raccord mural universel, rouge et bleu

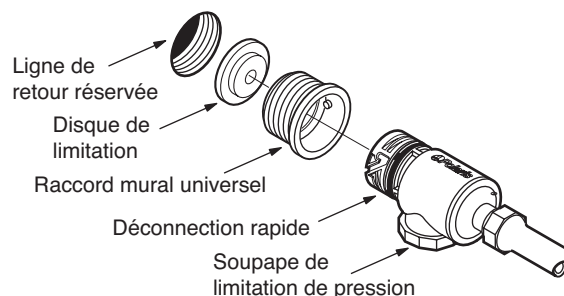


Guide d'installation rapide

1 Installez le raccord mural universel

Pour l'installer en minutes sur les piscines avec une ligne nettoyante réservée de retour.

1. Allumez la pompe de filtration et délogez la ligne de plomberie. Éteignez la pompe.
2. Enlevez le raccord mural universel (UWF®) de la connexion rapide et vissez-le dans l'ouverture de retour avec le disque d'étranglement de débit bleu en place.
3. Tournez la connexion rapide à droite vers le raccord mural universel et tirez pour l'assurer.



2 Réglez le tuyau d'alimentation selon la longueur de la piscine.

1. Mesurez la partie la plus profonde de la piscine. Coupez le tuyau leader, depuis le bout qui s'attache au tuyau d'alimentation, pour que la longueur soit égale à la majeure profondeur de la piscine.
2. Attachez le tuyau leader au tuyau d'alimentation et raccordez ce tuyau au mur de la piscine dans la ligne de retour. Étendez le tuyau jusqu'au bout le plus éloigné de la piscine. Le bout du tuyau devrait être approximativement à 15 cm (6") du point le plus éloigné. Voir schéma en bas.

Si le tuyau est trop long: Séparez le tuyau par le pivot central. Coupez les mêmes quantités de l'excédent de chaque partie de 3 mètres du tuyau d'alimentation.

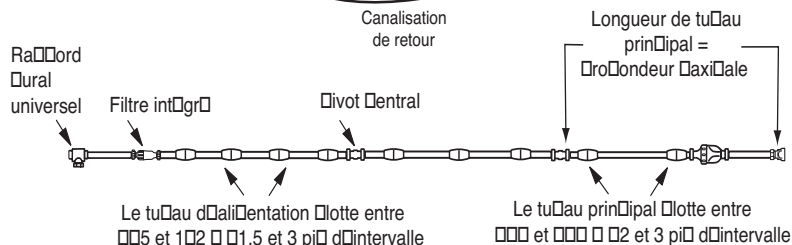
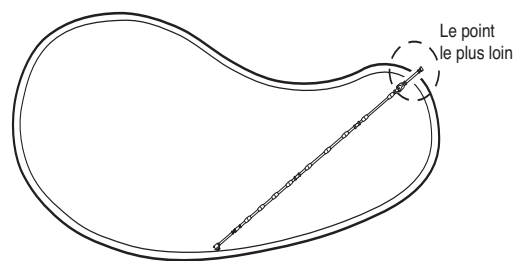
Si le tuyau est trop court: Ajoutez une partie du tuyau d'alimentation (partie n° 9-100-3104), un pivot (partie n° D20) et deux écrous de tuyau (partie n° D15). Réglez selon la longueur.

Chaque partie du tuyau d'alimentation doit être également longue après les réglages.

3. Après avoir réglé la longueur, placez les flotteurs de tuyau comme montré.

⚠ MISE EN GARDE

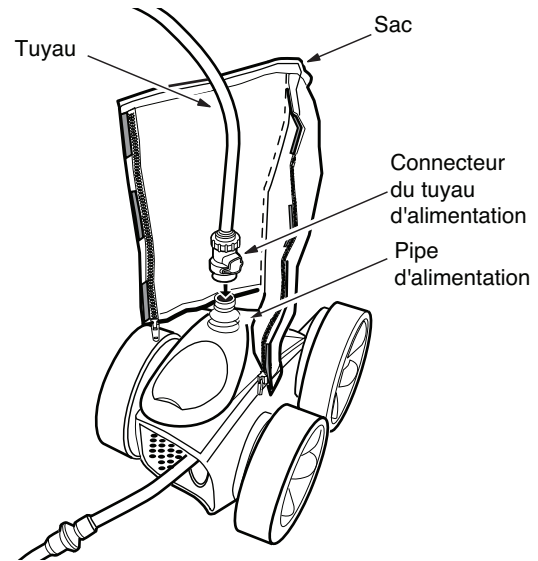
Faites preuve de prudence lors de la coupe du tuyau pour éviter les blessures infligées par l'outil de coupe.



3

Assemblage du robot

1. Fixez le raccord flexible d'alimentation vers la conduite d'alimentation en appuyant dessus vers le bas fermement jusqu'à ce qu'il se verrouille.
2. Le sac-filtre est emballé dans la zone du collier sur le tube d'aspiration. Extrayez le sac. Enroulez le sac autour du flexible et fixez à l'aide de bandes velcro.
3. Mettez sous tension la pompe de filtration de la piscine et laissez-la s'amorcer avant de mettre sous tension la pompe de surpression.



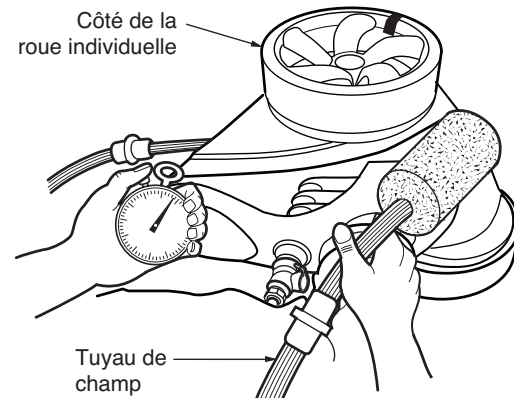
4

Réviser que les r/min soient correctes

Avant d'utiliser le Polaris, réviser que les révolutions des roues par minute (r/min) soient correctes. Pour une performance optimale, le robot devrait fonctionner entre 30 et 36 r/min.

1. Marquez le pneu de la roue à un côté.
2. Allumez la pompe, mettez le robot au-dessous du niveau de l'eau et calculez les révolutions des roues par une minute.

Si le résultat n'est pas dans la fourchette objectif réviser **Réglage des r/min des roues**, voir le chapitre Dépannage pour de plus amples informations.

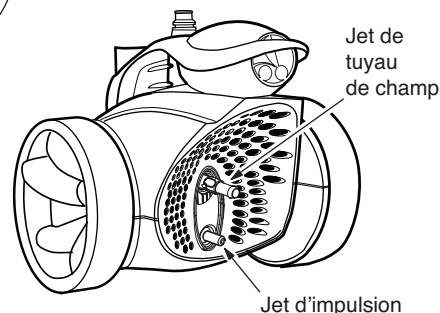
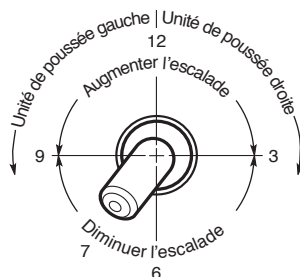


Réglage minutieux du robot

En fonctionnant correctement, le robot aspire, balaie et brosse toutes les surfaces au hasard partout dans la piscine. Environ toutes les trois minutes, le robot se met au mode de secours. Cette fonction éloigne le robot des obstacles dans la piscine et améliore son fonctionnement aléatoire.

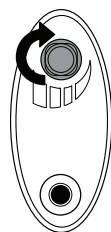
Ajustement du jet d'impulsion

Le jet d'impulsion fait marcher la direction du robot. La position par défaut se trouve à sept heures, mais selon la piscine, d'autres positions peuvent être utiles pour améliorer la portée du robot.



Ajustement du tuyau balai

Le tuyau balai devra faire des mouvements doux de balai. Pour ajuster le mouvement, éteignez la pompe d'appoint et tournez le jet-balai à droite pour augmenter ou à gauche pour diminuer le mouvement.

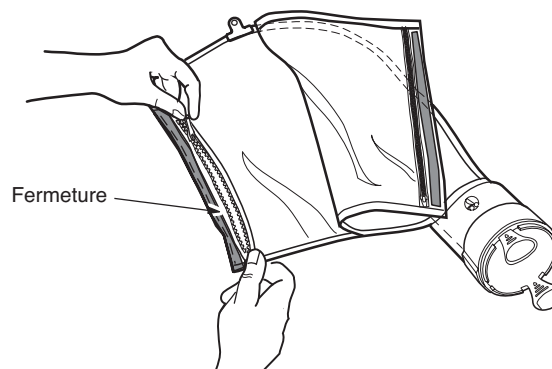


Entretien de routine

Nettoyage du sac

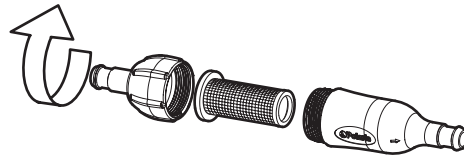
- ➔ Videz le sac-filtre lorsqu'il est à moitié plein, surtout s'il contient du sable.
- ➔ Il est plus facile de vider le sac-filtre lorsqu'il est sec. Alternier entre les deux sacs.

Détachez les bandes de velcro. Dévisser le collier du sac et tirez pour libérer le sac du robot. Défaites la fermeture à glissière des deux côtés du sac pour vider les déchets.



Nettoyage de l'écran du filtre intégré

Pour nettoyer l'écran du filtre intégré, enlevez-le de l'unité de filtration, rincez-le et mettez-le dans sa place de nouveau en le poussant fermement.



ATTENTION

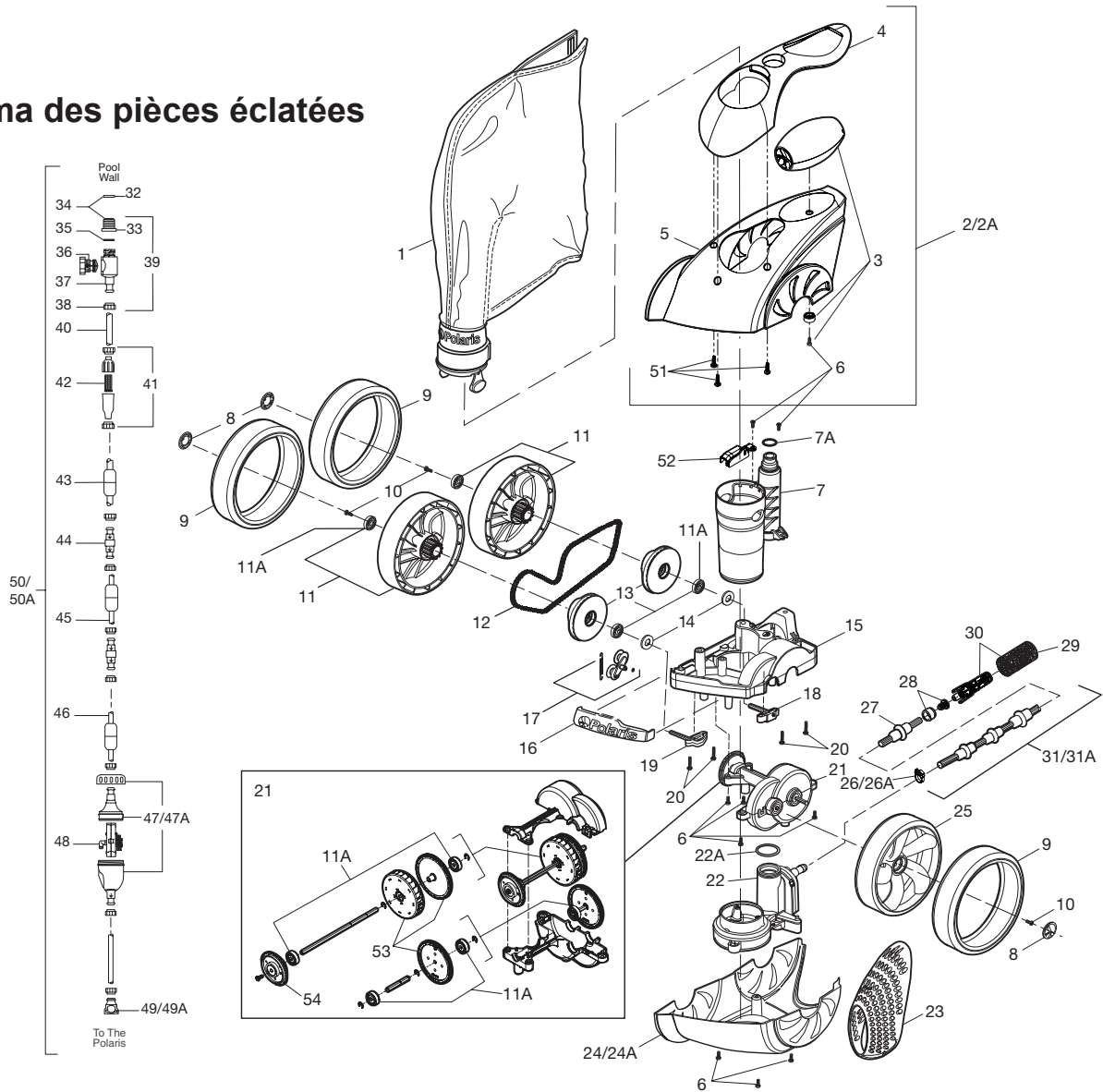
Débranchez toujours le Polaris avant de nettoyer ou remuer le filtre de la piscine pour éviter la possibilité de blocages au système de filtration. Laissez toujours le système de filtration fonctionner pour au moins cinq (5) minutes avant de raccorder à nouveau le robot.

Rangement et hivernage

Ne gardez jamais le robot sous le soleil.

Lors du rangement pour l'hiver, videz toute l'eau de l'intérieur du robot (les dommages par congélation ne sont pas couverts par la garantie.) Utilisez l'unité de connexion rapide pour enlever le raccord universel du mur de la piscine. Si nécessaire, utilisez l'outil d'enlèvement du raccord universel (partie n° 10-102-00) disponible dans tous les distributeurs Polaris.

Schéma des pièces éclatées



Français

No.	Part #	Description	Qty	No.	Part #	Description	Qty	No.	Part #	Description	Qty
1	39-310	P39/3900 Sport SuperSac*	1	2439-004	3900 Boîtier inférieur	1	39	9-100-9005	Unité de connexion du raccord universel, noir	1	
2	39-003	3900 Ensemble de boîtier supérieur	1	24A	R0669700	P39 Boîtier inférieur	1	39A	9-100-9001	Unité de connexion du raccord universel, gris	1
2A	R0669900	P39 Ensemble de boîtier supérieur	1	25	39-401	Roue à un côté	1	40	D44	Tuyau adaptateur, 8-1/2"	1
3	R0538000	Flotteur, ensemble de tête	1	26	B16	Collier de fixation de tuyau balai, noir 1	1	41	48-080	Unité de filtre intégré, gris	1
4	R0537900	Chapeau	1	26A	B15	Collier de fixation de tuyau balai, gris 1	1	41A	48-085	Unité de filtre intégré, noir	1
5	R0538100	Dessus du boîtier	1	27	39-021	Joint Usagé du tuyau balai, Bleu*	8	42	48-222	Écran, filtre intégré	1
6	C40	Vis, 10-32 x 3/8" SS	17	28	B25	Bout d'ouverture av/ couvercle de bout d'ouverture	1	43	D11	Flotteur, tuyau d'alimentation, noir	9
7	39-006	Ensemble de tube/tuyau d'alimentation de l'aspirateur avec Joint torique	1	29	9-100-3105	Brosse de Tuyau Balai*	1	43A	D10	Flotteur, tuyau d'alimentation, gris	9
7A	48-141	Joint torique, tuyau d'alimentation	1	29	R0522400	Brosse de Tuyau Balai, 3 ensembles	1	44	D21	Coussinet de boule pivotante, noir	3
8	39-008	Chapeau	3	30	R0540000	Tail Sweep Pro™, boîte en vrac (18)	1	44A	D20	Coussinet de boule pivotante, gris	3
9	48-232	WideTrax® Pneu, Noir*	3	30	TSP10S	Tail Sweep Pro™, Bande de clip	12	45	D47	Tuyau d'alimentation, 3 mètres, noir 2	2
10	48-036	Vis de blocage de roue	3	31	39-500	Tuyau Balai complète*, noir	1	45	D45	Tuyau d'alimentation, 3 mètres, gris 2	2
11	39-410	Roue à double côté avec Coussinet	2	31A	R0669600	Tuyau Balai complète*, gris	1	46	D52	Tuyau principal, 3 mètres, noir	1
11A	9-100-1108	Roulement à billes	8	32	10-112-00	Disque d'étranglement de débit du raccord universel, Rouge et Bleu	2	46A	D50	Tuyau principal, 3 mètres, gris	1
12	39-126	Chaîne	1	33	6-550-00	Raccord universel, noir	1	47	G62	Ensemble de soupape auxiliaire, noir 1	1
13	39-420	Ensemble de pignon de roue av/coussinet	2	33A	6-550-00	Raccord universel, gris	1	47A	G52	Ensemble de soupape auxiliaire, gris 1	1
14	39-602	Écarteur de roue	2	34	10-108-00	Ensemble d'étranglement de débit du raccord universel	1	48	G53	Mécanisme pour G52	1
15	39-100	Cadre (garantie seulement)	1	35	6-505-00	Joint torique, Raccord universel	1	49	48-240	Unité de connexion de tuyau d'alimentation, noir	1
16	39-111	Butoir	1	36	9-100-9006	Soupape de décharge de pression, noir	1	49A	48-140	Unité de connexion de tuyau d'alimentation, gris	1
17	39-120	Ensemble de tension des chaînes	1	36A	9-100-9002	Soupape de décharge de pression, gris	1	50	G6	Unité complète de tuyau d'alimentation, noir	1
18	39-430	Unité de blocage d'essieu arrière	1	37	D30	Connexion rapide, raccord universel, noir	1	50A	G5	Unité complète de tuyau d'alimentation, gris	1
19	39-440	Unité de blocage d'essieu avant	1	37A	D29	Connexion rapide, raccord universel, gris	1	51	R0538200	Vis, autotaraudeuse, chapeau	3
20	48-045	Vis, 10-32 x 7/8" SS	4	38	D16	Écrou, tuyau d'alimentation, noir	10	52	R0537800	Garde-chaîne	1
21	39-200	Unité de la boîte de vitesses	1	38A	D15	Écrou, tuyau d'alimentation, gris	10	53	R0547400	Vitesse de la turbine d'alimentation	3
22	39-300	Ensemble WMS avec joint torique	1					54	R0547500	Pignon d'entraînement d'alimentation	2
22A	R0544000	Joint torique, WMS	1								
23	39-005	Boîtier arrière	1								

*Articles usagés hors garantie.

Résolution de problèmes

Si les actions suivantes sont affichées souvent par le robot, des réglages seront peut-être nécessaires pour restaurer la performance. Voir le schéma de pièces éclatées pour la référence des parties.

Problème: Le robot s'accroche dans les marches ou autres obstacles pendant plus de 3 minutes.

- Solution :
1. Vérifiez les r/min de la roue.
 2. Vérifiez si la soupape de contre-courant est en cyclage. Soulevez la soupape hors de l'eau et observez le jet. Il doit s'activer et se désactiver.
 3. Réglez le jet de poussée.
 4. Retirez le matériel de piscine inutile ou installez un ensemble Ladder Guard (réf. n° G21).

Problème: Le robot est très lent et fonctionne avec moins force que d'habitude.

- Solution :
1. Vérifiez l'écran filtre dans l'unité du filtre intégré et nettoyez si nécessaire.
 2. Nettoyez le panier de l'écumoire, le panier de pompe et le filtre de piscine.
 3. Vérifiez les flexibles, les raccords flexibles, et les joints articulés s'il y a présence de fuites qui peuvent causer perte de pression d'eau.
 4. Vérifiez les r/min de la roue. Si inférieur à 30 r/min, voir Réglage des r/min des roues pour augmenter l'écoulement vers le robot.

Problème: Le robot bouge partout dans la piscine mais/ou il ne touche pas le sol de la piscine.

- Solution :
1. Réviser les r/min des roues. Si plus vite que 36 r/min, voir Réglage des r/min des roues pour diminuer l'écoulement.
 2. Vérifiez si la soupape de contre-courant est en cyclage. Soulevez la soupape hors de l'eau et observez le jet. Il doit s'activer et se désactiver.

Problème: Le robot ne recule pas.

- Solution :
1. Vérifiez si la soupape de contre-courant est en cyclage. Soulevez la soupape hors de l'eau et observez le jet. Il doit s'activer et se désactiver.
 2. Vérifiez les r/min de la roue. Si hors de l'intervalle 30 à 36 r/min, voir Réglage des r/min des roues.
 3. Si le sac-filtre est plein, videz-le ou remplacez-le.
 4. Assurez-vous que le flexible d'alimentation flotte.

Problème: Le robot tourne seulement dans une direction.

- Solution :
1. Réglez le jet de poussée.
 2. Assurez-vous que le flexible d'alimentation flotte.

Problème: Le flexible d'alimentation s'entremêle.

- Solution :
1. Remesurez le flexible pour vérifier qu'il est ajusté à la longueur adéquate pour la piscine.
 2. Avec le robot en fonction, vérifiez que les joints articulés et les raccords flexibles tournent librement.
 3. Assurez-vous que le flexible d'alimentation flotte.
 4. Avec le Polaris en fonctionnement, tenez le robot sous l'eau et vérifiez que les trois roues tournent ensemble.

Problème : Le bout avant du robot s'ouvre constamment.

- Solution :
1. Réviser les r/min des roues. Si les r/min sont hors la fourchette 30-36 r/min, voir Réglage des r/min des roues.
 2. Régler le jet d'impulsion vers le bas.
 3. Vérifier que la soupape auxiliaire fasse le recyclage. Levez la soupape au-dessus de l'eau et observez le jet. La soupape devrait se mettre ON (activée) et après OFF (Désactivée).
 4. Réviser s'il y a de l'eau dans le flotteur du robot.

Problème : Le flexible de balayage s'est aspiré dans le tube d'aspiration.

- Solution :
1. Assurez-vous que l'ouverture au bout du tuyau balai ne soit pas bloquée par la brosse du tuyau balai. Si la brosse manque ou est usagée, remplacez-la.
 2. Régler le tuyau balai pour qu'il fasse un doux mouvement de balai.
 3. Vérifier les r/min de la roue. Si supérieur à 36 r/min, voir Réglage des r/min des roues pour réduire l'écoulement.
 4. Ajoutez un poids de tuyau balai (partie n° B2).

Problème : Le robot ne nettoie pas la piscine entière.

- Solution :
1. Vérifier que le tuyau d'alimentation aie une portée de 15 mètres du point le plus éloigné de la piscine. Sinon, commandez une nouvelle partie de tuyau à votre distributeur Polaris.
 2. Ajuster le jet d'impulsion pour améliorer la capacité.

Problème : Le robot tourne en rond sur son côté.

- Solution :
1. Réviser s'il y a de l'eau dans le flotteur du robot.
 2. Vérifier le sac du filtre, s'il est trop lourd il peut faire pencher le robot sur un côté.
 3. Vérifier les flotteurs des tuyaux et assurez-vous qu'ils soient séparés également.
 4. Réviser les r/min des roues. Si la vitesse est plus de 36 r/min, faites des réglages pour réduire l'écoulement.

Réglage des r/min des roues :

Si la vitesse est moins de 30 r/min:

- Si une soupape d'ajustement est installée sur la ligne du robot, ouvrez-la complètement pour que l'eau puisse écouler librement vers le Polaris.
- Réviser l'écran du filtre intégré pour enlever les déchets qui empêchent l'écoulement de l'eau.
- Nettoyez l'écumoire, le filtre et le panier de la pompe pour enlever les déchets qui empêchent l'écoulement de l'eau.
- Réviser les tuyaux, les raccords et les pivots pour réparer les fuites qui causent perte de pression d'eau.
- Enlevez le disque d'étranglement de débit bleu du raccordement mural universel.

Si la vitesse est plus de 36 r/min:

- Remplacez le disque d'étranglement de débit bleu sur le raccord universel par le disque rouge. Si l'écoulement est encore trop fort, dévissez la soupape de décharge de pression jusqu'à ce que la vitesse des r/min correcte soit atteinte. N.B. : La soupape de décharge de pression devra être ajustée seulement lorsqu'un disque d'étranglement de débit est installé.
- Si une soupape d'ajustement est installée dans la ligne du robot, réglez-la pour réduire l'écoulement d'eau vers le robot.

Información importante

- Antes de instalar el limpiafondos, asegúrese de que el filtro de la piscina esté limpio.
- Las líneas hidráulicas nuevas deben purgarse antes de instalar el limpiafondos.
- El Polaris® no debe usarse para quitar restos de yeso en piscinas nuevas.
- Desconecte el limpiafondos antes de limpiar o hacer lavado contracorriente del filtro de la piscina. Después de limpiar, deje funcionando el sistema de filtrado durante al menos cinco minutos antes de volver a conectar el limpiafondos.
- Siempre quite el Polaris de la piscina antes de aplicar tratamientos con químicos.

 **WARNING**

- Sólo si va a revisar las RPM de la rueda, no toque el Polaris mientras está en funcionamiento.
- Siempre quite el limpiafondos antes de que entren personas en la piscina.

Para atención o ayuda al cliente:

- Por favor envíe la tarjeta de garantía por correo de inmediato.
- Para obtener ayuda en Internet: www.polarispool.com
- Para contactarse con Polaris: EE.UU. y
2620 Commerce Way
Vista, CA 92081-8438
1-800-822-7933

Canadá
2115 South Service Road West, Unit 3
Oakville, Ontario • Canada L6L 5W2
1-888-647-4004

ADVERTENCIA: USO DEL POLARIS EN UNA PISCINA CON REVESTIMIENTO DE VINILO

Determinados diseños de revestimiento de vinilo son particularmente susceptibles al desgaste rápido de la superficie o desaparición del diseño, que es provocado por los objetos que entran en contacto con la superficie de vinilo como cepillos, juguetes, flotadores, fuentes, dosificadores de cloro y limpiafondos automáticos. Algunos diseños de revestimiento de vinilo se pueden rayar o desgastar simplemente por la fricción de la superficie con un cepillo para piscinas. También se puede salir la pintura del diseño durante el proceso de instalación o cuando entra en contacto con objetos en la piscina. Zodiac Pool Systems, Inc. no es responsable de, y la garantía limitada no cubre, desgastes, abrasiones ni marcas en el revestimiento de vinilo.

Introducción

Felicitaciones por la compra de su nuevo limpiafondos automático y gracias por elegir Polaris. El Polaris P39/3900 Sport está diseñado para brindarle años de servicio confiable y eficiente.

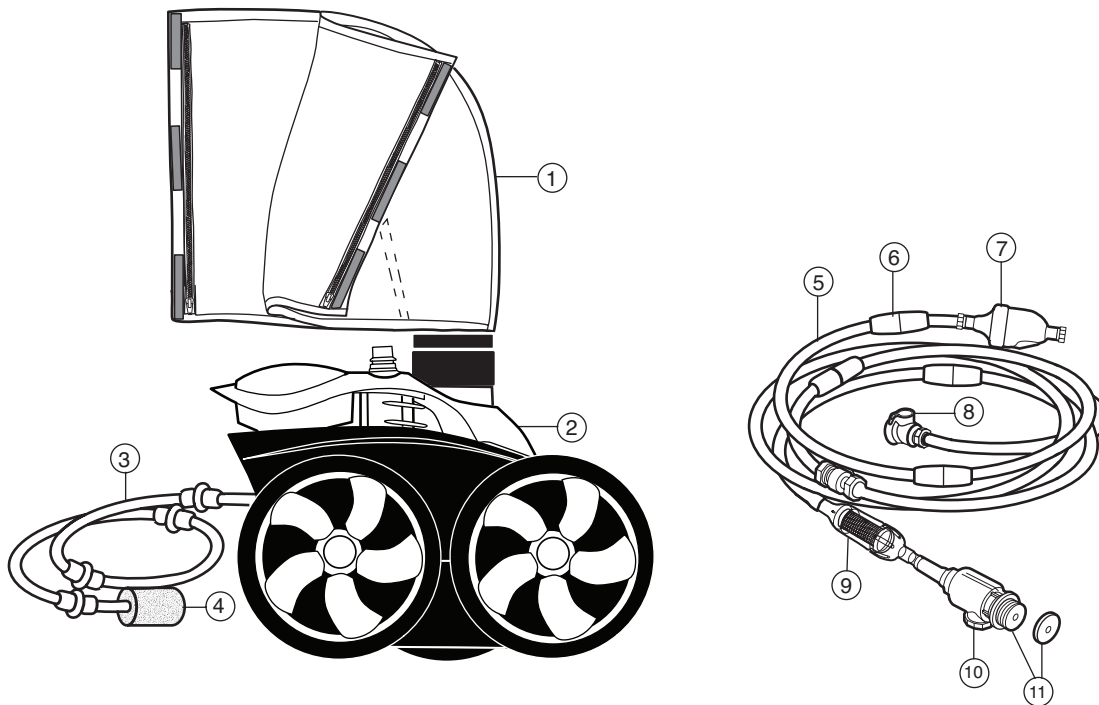
Como la mayoría de los dispositivos mecánicos, requerirá ajustes periódicos, mantenimiento de rutina y el reemplazo de las piezas que más se usan. Por favor haga que el centro local de Polaris o un centro de servicio revise su limpiafondos periódicamente.

Siempre exija que las piezas reemplazadas sean legítimas Polaris. Las piezas que no son Polaris no están hechas según nuestras especificaciones. Puede que éstas tengan un efecto adverso en el funcionamiento de su Polaris o incluso que lo dañen.

Para obtener mejores resultados, el limpiafondos debería ser instalado por un profesional de piscinas. En este manual se dan los lineamientos de instalación para aquellos con experiencia y confianza en el manejo de equipos de fontanería y mecánicos.

Componentes del Polaris P39/3900 Sport

1. SuperBag bolsa (doble) con cierre multiuso
2. Cuerpo del limpiafondos
3. Manguera de barrido
4. Depurador de la manguera de barrido de potencia Tail Sweep Pro™
5. Manguera de alimentación
6. Flotadores de la manguera
7. Válvula de respaldo
8. Conector de la manguera de alimentación
9. Filtro en línea con rejilla de filtro
10. Desconexión rápida con acoplador de pared universal
11. Discos dosificadores con UWF® (acoplador de pared universal), rojo y azul

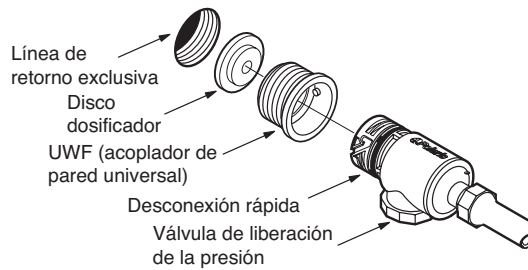


Instrucciones de instalación rápida

1 Instale el acoplador de pared universal

Se instala en minutos si el limpiafondos de la piscina tiene una línea de retorno exclusiva.

1. Encienda la bomba de filtrado y purgue la línea hidráulica. Apague la bomba.
2. Quite el UWF® (acoplador de pared universal) de la desconexión rápida y ajústelo dentro de la abertura de retorno con el disco dosificador azul en su lugar.
3. Gire la desconexión rápida en el sentido de las agujas del reloj dentro del UWF® (acoplador de pared universal) y tire hacia afuera para asegurarlo.



2 Ajuste la manguera de alimentación de manera que corresponda a la longitud de la piscina

1. Mida la parte más profunda de la piscina. Corte la manguera principal, desde el extremo que se ajusta a la manguera de alimentación, para que la longitud sea equivalente a la parte más profunda de la piscina.
2. Ajuste la manguera principal a la manguera de alimentación y conecte la manguera a la pared de la piscina en la línea de retorno. Extienda la manguera hasta el punto más lejano de la piscina. El extremo de la manguera debe quedar dentro de las 6" – más larga o más corta – del punto más lejano. Vea el diagrama de abajo.

Si la manguera es demasiado larga: Separe la manguera en el eslabón giratorio del centro. Corte partes iguales del sobrante de cada sección de 10 pies de la manguera de alimentación.

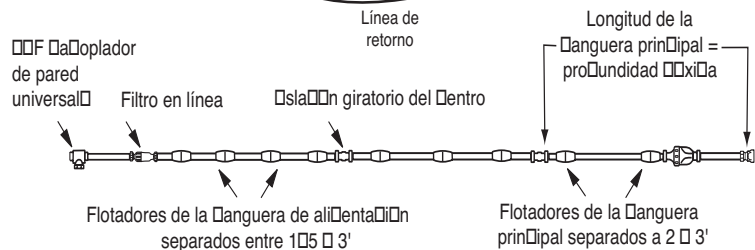
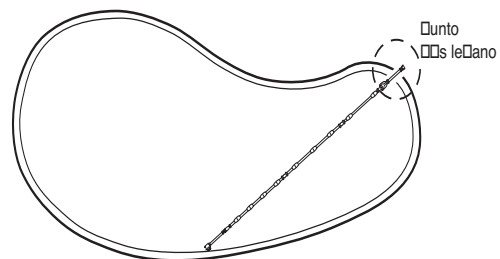
Si la manguera es demasiado corta: Agregue una sección de la manguera de alimentación (pieza n°9-100-3104), un eslabón giratorio (pieza n°D20) y dos tuercas de manguera (pieza n°D15). Ajuste según la longitud adecuada.

Cada sección de la manguera de alimentación debería ser igual en longitud luego de los ajustes.

3. Después de ajustar la longitud, coloque los flotadores de manguera según se muestra.

⚠ PRECAUCIÓN

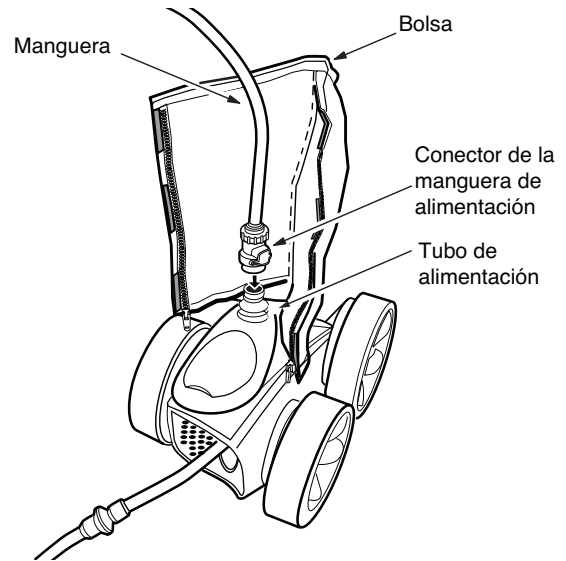
Tenga cuidado al cortar la manguera para evitar el daño causado por la herramienta de corte.



3

Arme el limpiafondos

1. Coloque el conector de la manguera de alimentación al tubo de alimentación presionándolo firmemente hasta que quede fijo.
2. La bolsa de filtro está empacada en el área del cuello del tubo de aspiración. Saque la bolsa, colóquela alrededor de la manguera y sujétela con las tiras de Velcro.
3. Encienda la bomba de filtración de la piscina y déjela que se cebe antes de encender la bomba de reforzador.



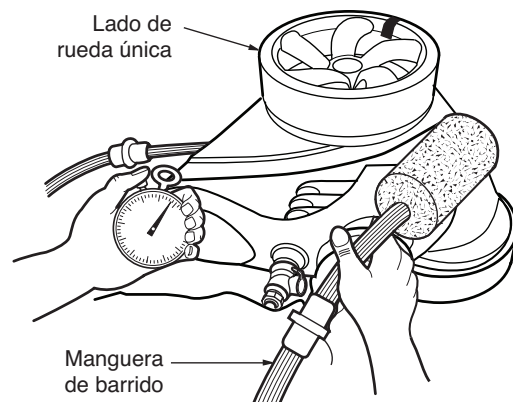
4

Verifique que las RPM sean adecuadas

Antes de poner en funcionamiento el Polaris, verifique que las revoluciones por minuto (RPM) de la rueda sean adecuadas. Para mayor eficiencia, el limpiafondos debería funcionar entre 30 y 36 RPM.

1. Marque un lado del neumático de la rueda.
2. Encienda la bomba, sostenga el limpiafondos por debajo del nivel del agua y cuente las revoluciones de la rueda durante un minuto.

Si la cuenta no está dentro del margen deseado, consulte **Ajustar las RPM de la rueda** en la sección de Diagnóstico y localización de averías para más información.

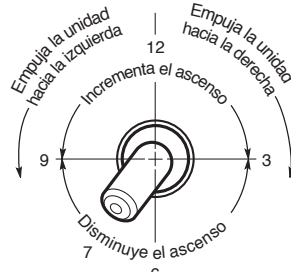


Calibrar el limpiafondos

Cuando funciona correctamente, el limpiafondos aspira, barre y friega todas las superficies al azar por toda la piscina. Aproximadamente cada tres minutos el limpiafondos se pone en modalidad respaldo. Esta acción aleja el limpiafondos de los obstáculos de la piscina e incrementa su recorrido al azar.

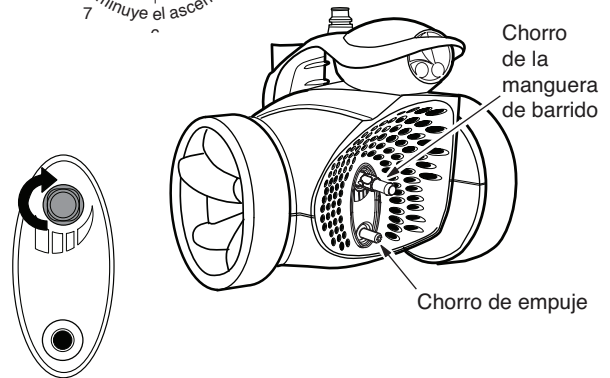
Ajuste del chorro de empuje

El chorro de empuje controla la dirección del limpiafondos. La posición que trae de fábrica es a las siete horas pero, dependiendo de la piscina, otras configuraciones pueden ayudar a mejorar la cobertura del limpiafondos.



Ajuste de la manguera de barrido

La manguera de barrido debería tener un movimiento de barrido suave. Para ajustar el movimiento, apague la bomba de reforzador y gire el chorro de barrido en el sentido de las agujas del reloj para aumentar o en sentido contrario a las agujas del reloj para disminuir el movimiento.

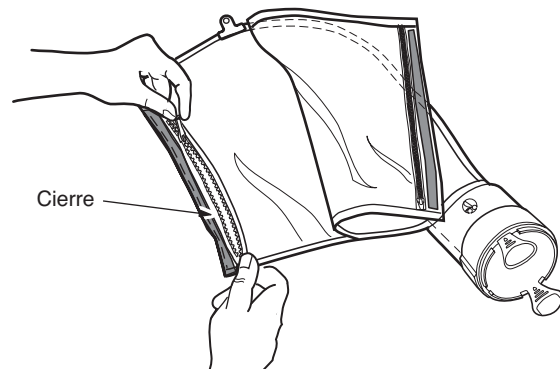


Mantenimiento de rutina

Limpieza de la bolsa

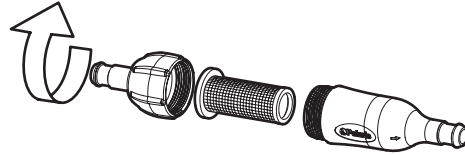
- ➔ Vacíe la bolsa de filtro cuando esté a medio llenar, especialmente si lo que contiene es arena.
- ➔ Es más fácil vaciar la bolsa de filtro cuando está seca. Alterne entre dos bolsas.

Separe las tiras de velcro. Tuerza el cuello de la bolsa y tire hacia arriba para sacar la bolsa del limpiafondos. Abra el cierre de ambos lados de la bolsa para sacar los desechos.



Limpieza de la rejilla de filtro en línea

Para limpiar la rejilla de filtro en línea, sáquela del conjunto de filtro, enjuáguela y vuelva a colocarla en su lugar presionando firmemente.



PRECAUCION

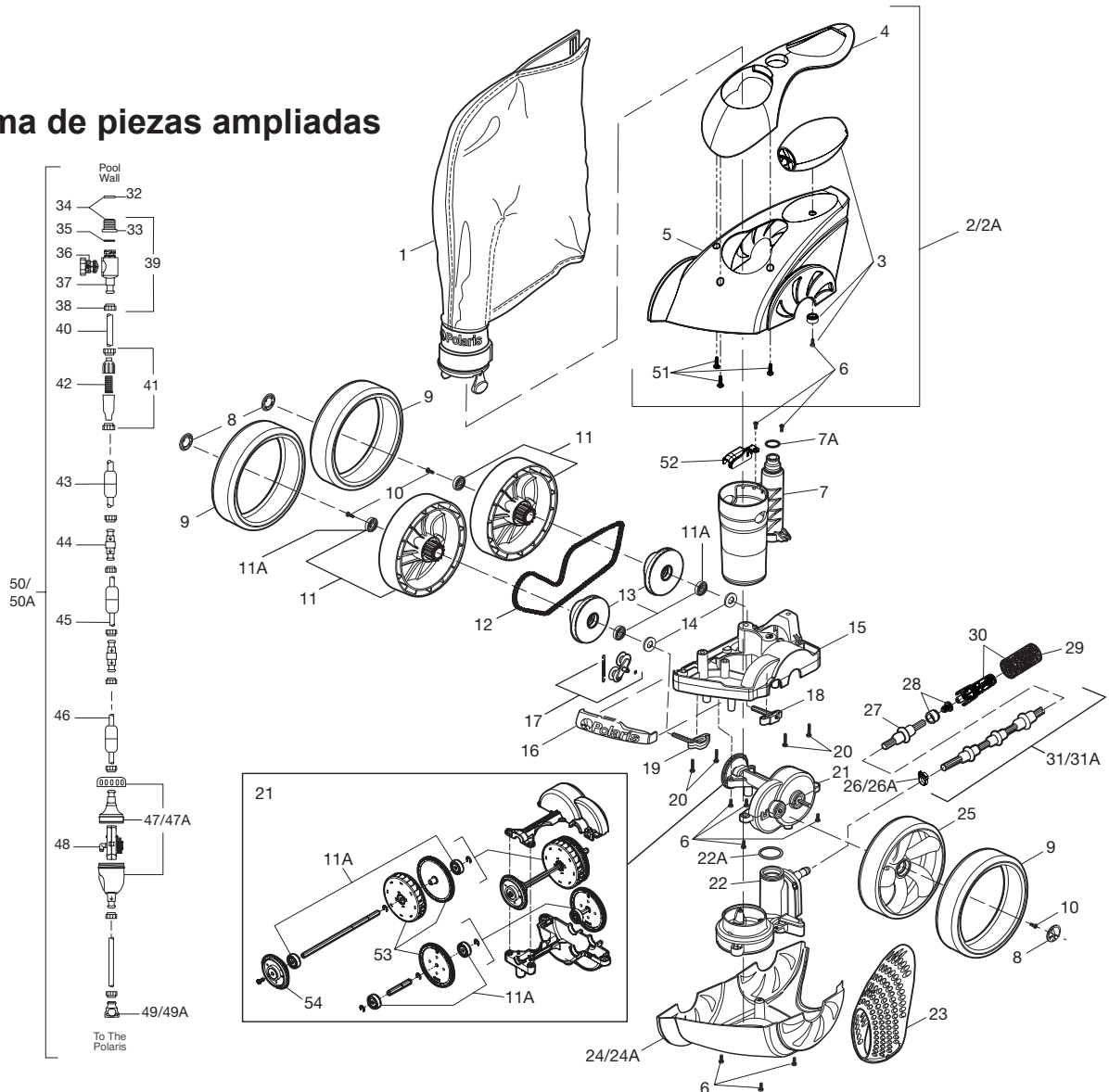
Siempre desconecte el Polaris antes de limpiar o hacer lavado contracorriente del filtro de la piscina para evitar obstrucción potencial o daño al sistema de filtración. Deje el sistema de filtrado en funcionamiento durante al menos cinco (5) minutos antes de volver a conectar el limpiafondos.

Guardar y prepararse para el invierno

Nunca guarde el limpiafondos en un lugar donde le dé la luz del sol directa.

Cuando lo guarde para el invierno, escurra toda el agua del limpiafondos (el daño por congelamiento no está cubierto por la garantía). Use la desconexión rápida para quitar el UWF® (acoplador de pared universal) de la pared de la piscina. De ser necesario, use la herramienta para quitar el UWF® (pieza n°10-102-00) disponible en cualquier proveedor de Polaris.

Diagrama de piezas ampliadas



Español

No.	Part #	Description	Qty	No.	Part #	Description	Qty	No.	Part #	Description	Qty
1	39-310	P39/3900 Sport SuperBag*	1	25	39-401	Rueda de un solo lado	1	39	9-100-9005	Conjunto de conector con UWF, negra (acoplador de pared universal)	1
2	39-003	3900 Conjunto de carcasa superior	1	26	B16	Abrazadera de sujeción de la manguera del depurador, negra	1	39A	9-100-9001	Conjunto de conector con UWF, gris (acoplador de pared universal)	1
2A	R0669900	P39 Conjunto de carcasa superior	1	26A	B15	Abrazadera de sujeción de la manguera del depurador, gris	1	40	D44	Manguera adaptadora, 8-1/2"	1
3	R0538000	Flotante, conjunto de culata	1	27	39-021	Anillo de desgaste de la manguera de barrido, azul*	8	41A	48-080	Conjunto de filtro en línea, gris	1
4	R0537900	Cobertor	1	28	B25	Punta de orificio con su seguro	1	42	48-085	Conjunto de filtro en línea, negra	1
5	R0538100	Carcasa superior	1	29	9-100-3105	Depurador de la manguera de barrido de potencia*	1	43	48-222	Pantalla, filtro en línea	1
6	C40	Tornillo, 10-32 x 3/8" SS cabeza plana	17	29	R0522400	Depurador de la manguera de barrido, conjunto de 3	1	43A	D11	Flotador, manguera de alimentación, negra	9
7	39-006	Conjunto del tubo de aspiración/tubo de alimentación con junta tórica	1	30	R0540000	Tail Sweep Pro™, caja (18)	1	44	D10	Flotador, manguera de alimentación, gris	9
7A	48-141	Junta tórica, conector de la manguera de alimentación	17	31	TSP10S	Tail Sweep Pro™, tira del clip	12	44A	D21	Rodamiento de la bola giratoria, negra	3
8	39-008	Tapacubos	3	31	39-500	Manguera de barrido completa*	1	45	D20	Rodamiento de la bola giratoria, gris	3
9	48-232	Cubierta WideTrax®, negra*	3	31A	R0669600	Manguera de barrido completa*, gris	1	45A	D47	Manguera de alimentación, 10 pies, negra 2	2
10	48-036	Tornillo de bloqueo de rueda	3	32	10-112-00	Disco dosificador con UWF® (acoplador de pared universal), rojo y azul	2	46A	D45	Manguera de alimentación, 10 pies, gris 2	2
11	39-410	Rueda de dos lados con rodamiento	2	33	6-550-00	Conector universal de pared, negra	1	46	D52	Manguera principal, 10 pies, negra 1	1
11A	39-410	Cojinete de bolas	2	33A	6-550-00	Conector universal de pared, gris	1	47	D50	Manguera universal, 10 pies, gris 1	1
12	39-126	Cadena	1	34	10-108-00	Kit dosificador con UWF (acoplador de pared universal)	1	47A	G62	Kit de válvula de respaldo, black 1	1
13	39-420	Conjunto de piñón de rueda con rodamiento	2	35	6-505-00	Junta tórica, UWF® (acoplador de pared universal)	1	48	G52	Kit de válvula de respaldo, gray 1	1
14	39-602	Separador de rueda	2	36	9-100-9006	Válvula de liberación de presión, negra	1	49	G53	Mecanismo para G52 1	1
15	39-100	Armazón	1	36	9-100-9002	Válvula de liberación de presión, gris	1	49A	48-240	Conjunto de conector de la manguera de alimentación, negra	1
16	39-111	Paragolpes	1	37	D30	Desconexión rápida, UWF®, negra (acoplador de pared universal)	1	49A	48-140	Conjunto de conector de la manguera de alimentación, gris	1
17	39-120	Kit tensor de cadena	1	37	D29	Desconexión rápida, UWF®, gris (acoplador de pared universal)	1	50	G6	Conjunto de manguera de alimentación, completo, negra	1
18	39-430	Conjunto de bloqueo del eje trasero	1	38	D16	Tuerca, manguera de alimentación, negra	10	50A	G5	Conjunto de manguera de alimentación, completo, gris	1
19	39-440	Conjunto de bloqueo del eje delantero	1	38A	D15	Tuerca, manguera de alimentación, gris	10	51	R0538200	Tornillo, autopercutor, cobertor	3
20	48-045	Tornillo, 10-32 x 7/8" SS cabeza plana con arandela de estrella	4					52	R0537800	Guardacadena	1
21	39-200	Conjunto de caja de engranajes	1					53	R0547400	Conjunto de engranajes de la turbina	3
22	39-300	Conjunto de WMS con junta tórica	1					54	R0547500	Conjunto de Piñón	2
22A	R0544000	Junta tórica, WMS superiores a vactube interfaz	1								
23	39-005	Carcasa trasera	1								
24	39-004	3900 Carcasa inferior	1								
24A	R0669700	P39 Carcasa inferior	1								

*Las piezas de desgaste no están cubiertas por la garantía.

Diagnóstico y localización de averías

Si el limpiafondos regularmente muestra en pantalla alguna de las siguientes acciones, puede que sea necesario realizar ajustes para restablecer el funcionamiento normal. Observe el diagrama de piezas ampliadas para ver las referencias de las piezas.

Acción: El limpiafondos deja de funcionar en los escalones u otros obstáculos por más de 3 minutos.

- Solución:
1. Revise las RPM de la rueda.
 2. Verifique que la válvula de respaldo esté girando. Levante la válvula, sáquela del agua y mire el chorro. Debería encenderse y luego apagarse.
 3. Ajuste el chorro de empuje.
 4. Saque cualquier cosa innecesaria de la piscina o instale el kit de protección de escalones (nºG21).

Acción: El limpiafondos es lento y funciona con menos energía que lo normal.

- Solución:
1. Revise la rejilla de filtro en el conjunto de filtro en línea y límpiela de ser necesario.
 2. Limpie la canasta del colector de espuma, la canasta de la bomba y el filtro de la piscina.
 3. Revise las mangueras, las conexiones de las mangueras y los eslabones giratorios que pudieran causar pérdida de presión de agua.
 4. Revise las RPM de la rueda. Si están por debajo de 30 RPM, consulte Ajustar las RPM de la rueda para aumentar el caudal hacia el limpiafondos.

Acción: El limpiafondos va demasiado rápido alrededor de la piscina y/o no toca el fondo de la piscina.

- Solución:
1. Revise las RPM de la rueda. Si va a más de 36 RPM, consulte Ajustar las RPM de la rueda para reducir el caudal.
 2. Verifique que la válvula de respaldo esté girando. Levante la válvula, sáquela del agua y mire el chorro.

Acción: El limpiafondos no se respalda.

- Solución:
1. Verifique que la válvula de respaldo esté girando. Levante la válvula, sáquela del agua y mire el chorro. Debería encenderse y luego apagarse.
 2. Revise las RPM de la rueda. Si no está en un margen de 30-36 RPM, consulte Ajustar las RPM de la rueda.
 3. Si la bolsa de filtro está llena, vacíela o cámbiela.
 4. Asegúrese de que la manguera de alimentación esté flotando.

Acción: El limpiafondos sólo gira en una dirección.

- Solución:
1. Ajuste el chorro de empuje.
 2. Asegúrese de que la manguera de alimentación esté flotando.

Acción: La manguera de alimentación está enredada.

- Solución:
1. Vuelva a medir la manguera para verificar si tiene la longitud correcta para la piscina.
 2. Con el limpiafondos en funcionamiento, revise que los eslabones giratorios y las conexiones de la manguera den vuelta libremente.
 3. Asegúrese de que la manguera de alimentación esté flotando.
 4. Con el Polaris en funcionamiento, sostenga el limpiafondos bajo el agua y verifique que las tres ruedas giren juntas.

Acción: El extremo delantero del limpiafondos se levanta todo el tiempo.

- Solución:
1. Revise las RPM de la rueda. Si no está en un margen de 30-36 RPM, consulte Ajustar las RPM de la rueda.
 2. Ajuste el chorro de empuje hacia abajo.
 3. Verifique que la válvula de respaldo esté girando. Levante la válvula, sáquela del agua y mire el chorro. Debería encenderse y luego apagarse.
 4. Verifique que no haya agua dentro del flotador del limpiafondos.

Acción: La manguera de barrido es tragada por el tubo de aspiración.

- Solución:
1. Asegúrese de que la abertura en el extremo de la manguera de barrido no esté bloqueada por el depurador de la manguera de barrido. Reemplace el depurador si está gastado o si falta.
 2. Ajuste la manguera de barrido para un movimiento de barrido suave.
 3. Revise las RPM de la rueda. Si va a más de 36 RPM, consulte Ajustar las RPM de la rueda para reducir el caudal.
 4. Agregue un peso a la manguera de barrido (pieza n°B2).

Acción: El limpiafondos no limpia toda la piscina.

- Solución:
1. Verifique que la manguera de alimentación llegue cerca de las 6" del punto más lejano de la piscina. De lo contrario, pida una nueva sección de manguera a su proveedor de Polaris.
 2. Ajuste el chorro de empuje para mejorar la cobertura.

Acción: El limpiafondos está dando vueltas sobre un costado.

- Solución:
1. Verifique que no haya agua dentro del flotador del limpiafondos.
 2. Revise la bolsa del filtro, si está llena puede inclinar el limpiafondos hacia abajo de un lado.
 3. Revise los flotadores de manguera para asegurarse de que estén separados en forma pareja.
 4. Revise las RPM de la rueda. Si va a más de 36 RPM, haga los ajustes para reducir el caudal.

Ajustar las RPM de la rueda:

Si la cuenta es menor que 30 RPM:

- Si hay una válvula ajustable instalada en la línea del limpiador, ábrala por completo para que el agua pueda circular libremente hacia el Polaris.
- Revise que no haya desechos que limiten el caudal de agua en la rejilla del filtro en el filtro en línea.
- Limpie el colector de espuma, el filtro y la canasta de la bomba, eliminando los desechos que limiten el caudal de agua.
- Revise que no haya pérdidas en las mangueras, las conexiones y los eslabones giratorios que puedan provocar disminución de la presión de agua.
- Quite el disco dosificador azul del UWF® (acoplador de pared universal).

Si la cuenta es mayor a 36 RPM:

- Reemplace el disco dosificador azul en el UWF (acoplador de pared universal) con el dosificador rojo. Si el caudal todavía es demasiado alto, desajuste la válvula de liberación de presión hasta alcanzar las RPM adecuadas. Nota: La válvula de liberación de presión sólo debería ajustarse cuando se instala un dosificador.
- Si hay una válvula ajustable instalada en la línea del limpiador, ajústela para reducir el caudal de agua hacia el limpiafondos.

Zodiac Pool Systems, Inc.

2620 Commerce Way, Vista, CA 92081

1.800.822.7933 | www.ZodiacPoolSystems.com

*ZODIAC® is a registered trademark of Zodiac International, S.A.S.U., used under license.
All other trademarks referenced herein are the property of their respective owners.*

©2014 Zodiac Pool Systems, Inc. TL-875 Rev D

