

SAND FILTERS **11400, 11500, 11600**

These are high performance, totally corrosion proof sand filters that blend superior flow characteristics and features with ease of operation. Efficient flow and totally balanced backwashing is your professional choices for your pools.

Applications

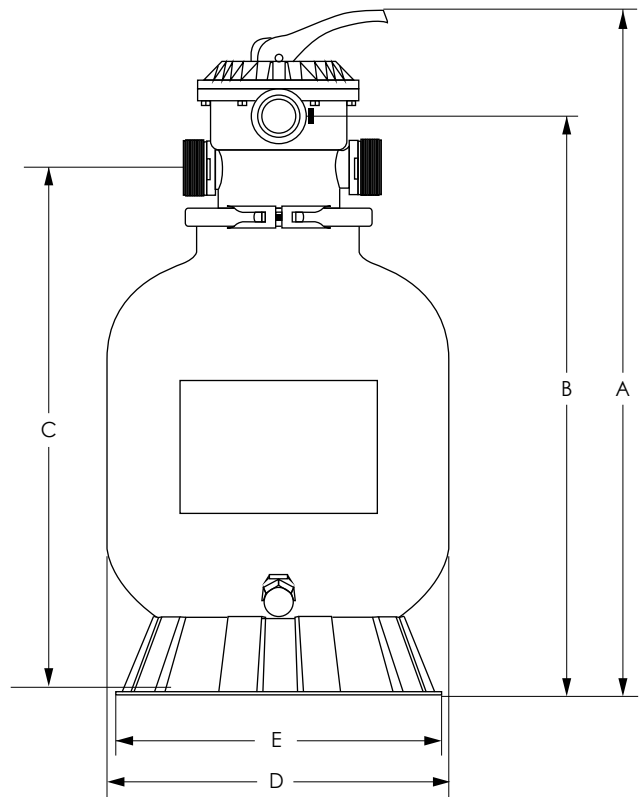
- Swimming pools of all types and sizes
- In-ground spas (residential or commercial)
- Water features (fish ponds, fountains, water gardens)

Features

- Flange clamp design allows 360° rotation for easy installation.
- Top diffuser ensures even distribution of water over the top of the sand media bed. All internal piping is 1.5" (Dia: 50mm) to give smooth, free-flowing performance.
- The tank molded of polymeric material HDPE
- Drain for rapid winterizing or servicing.



DIMENSIONS



11400V

Replacement 6 Way Valve
 for 11400, 11500 and 11600, 1 1/2"

Model Number	A (in)	B (in)	C (in)	D (in)	E (in)
11400	31.89"	26.97"	24.60"	16"	15.75"
11500	36.61"	31.69"	29.33"	19"	18.89"
11600	43.70"	38.78"	36.42"	24"	18.89"

PERFORMANCE DATE - FILTER

Model Number	Effective Filtration Area (ft²)	Design Flow Rate (GPM)	Turnover (In Gallons)		
			8 Hours	10 Hours	12 Hours
11400	1.35	35	16,800	21,000	25,200
11500	2.10	42	20,160	25,200	30,240
11600	3.14	62	29,760	37,200	44,640

MODEL TECHNICAL DATA

Model Number	Filter Diameter	Filter Area ft² / m²	Pipe Size	Design Flow Rate gpm(M³/H)	Maximum Working Pressure PSI (bar)	Media Requires:#20Silica Sand (.018 to.022 in.Size)kg. (lbs)	Weight Kg (lbs)	Packaging Dimension (in)
11400	16"	1.35(0.125)	1 1/2"	35(7.9)	50(3.5)	45(100)	07.5(16.5)	16.50"x16.50"x32.30"
11500	19"	2.10(0.195)	1 1/2"	40(3.5)	50(3.5)	79(175)	09.7(21.4)	19.10"x19.10"x35.45"
11600	24"	3.04(0.280)	1 1/2"	50(3.5)	50(3.5)	136(300)	16.5(36.4)	23.80"x23.80"x40.50"

SAND FILTERS

11800,11900

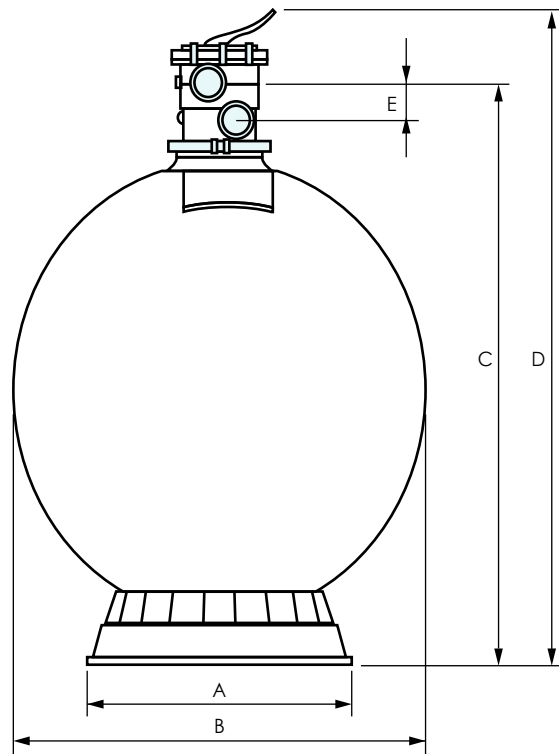
It satisfies the requirements of most demanding installations, including resort pools, hotel pools, municipal pools, school pools and industrial applications. The filter has a seamless, one piece molded polymeric material and fitted complete with our smooth operating multiport valve for easy selection of standard operating features. Incorporating the many advances features of nowadays pool filter technology, it is a pool professional best choice.

Features

- Flange clamp design allows any rotation of valve to plumbing
- Mart top diffuser ensures even distribution of water over the top of the sand media bed, which provides smooth, free flowing performance.
- Unitized, corrosion-proof filter tank molded of rugged polymeric material for dependable, all-weather performance
- Designed drain for rapid winterizing or servicing
- Precision engineered laterals for balanced flow, backwashing and easy serviceability.



DIMENSIONS



11800V

Replacement 6 Way Valve
for 11800 and 11900, 2"

PERFORMANCE DATE - FILTER

Model Number	Effective Filtration Area (ff ²)	Design Flow Rate (GPM)	Turnover (In Gallons)		
			8 Hours	10 Hours	12 Hours
11800	4.9	98	47,040	58,800	70,560
11900	6.5	130	67,200	78,000	93,600

* Based on 20GPM/ ft.²(Maximum allowable NSF rating)

Model Number	A mm(in)	B mm(in)	C mm(in)	D mm(in)	E mm(in)
11800	590(31.9")	790(31")	1093(43")	1258(49.5")	76(3")
11900	590(36.6")	915(36")	1220(48")	1385(54.5")	76(3")

MODEL TECHNICAL DATA

Model Number	Filter Diameter	Max Working Pressure PSI	Sand Required	Ctn. Qty.	Net. Weight
11800	31"	50	500 lbs.	1	68 lbs.
11900	36"	50	700 lbs.	1	134 lbs.