

14" SQUARE ANTI-ENTRAPMENT SUCTION OUTLET COVER FOR 9" SQUARE RETROFITS OR NEW CONSTRUCTION

VGB Series

The AquaStar line of suction outlet covers, compliant with the Virginia Graeme-Baker Pool and Spa Safety Act (ANSI/APSP 16-2011 and NSF/ANSI 50-2009a)

FEATURES

For single or multiple drain use
3" minimum sump depth
(see installation instructions)

Single –

Floor: 560 GPM at 2.1 fps

Wall: 300 GPM at 1.2 fps

Floor/wall: 394 GPM at 1.5 fps

Floor/wall: 261.8 GPM at 1.0 fps

84 square inch opening

Retrofit adapter frame easily and safely retrofits most brands' existing 9" mud frame with epoxy or screws or both; cover anchors into in-molded brass inserts in frame with four fine thread machine screws

Ideal for retrofitting over all existing sumps/frames up to 13" by anchoring directly into pool finish (plaster, tile, fiberglass, etc.) using four brass anchors and stainless screws in kit #BIK4

Trademarked VGB compliance button easily identifies VGB 2008 compliant cover from on deck and underwater

#316 stainless steel screws

Manufactured from superior UV-resistant engineered polymers

All components (cover, sump, screws) meet or exceed ANSI/APSP 16-2011 and NSF/ANSI 50-2009a national standards and ASTM G154 UV testing exposure

Replace every five years from the date of installation

6 per case

NEW CONFIGURATION

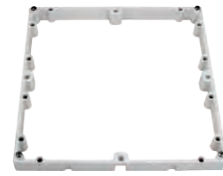
Retrofits over all existing sumps/frames up to 13"



Mud frame



Retrofit adapter frame for 3/4" deep 9" square retrofits



Retrofit adapter frame for 1" deep 9" square retrofits



Optional – extra screw holes for anchoring directly into pool finish using four brass anchor kit part # BIK4



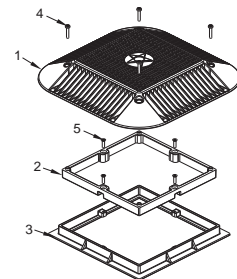
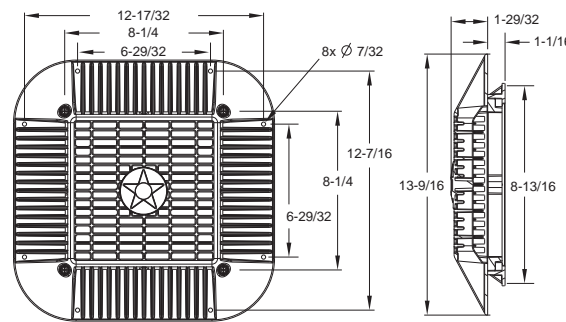
Part # 914xxx

STANDARD COLORS

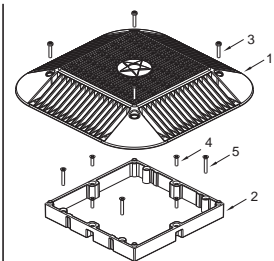
- 914101 – White
- 914102 – Black
- 914103 – Light Gray
- 914104 – Blue
- 914105 – Dark Gray
- 914108 – Tan

Replaces RWAV9xxx and RFS9xxx

VGB 2008 Compliant



1. 14" x 14" to 9" x 9" square anti-entrapment cover
2. 14" x 14" to 9" x 9" square adapter
3. 9" flat square drain frame
4. 10-32 x 1" pan head Phillips screw, ss, qty 4
5. #10 x 3/4" lg flat head Phillips screw, qty 4

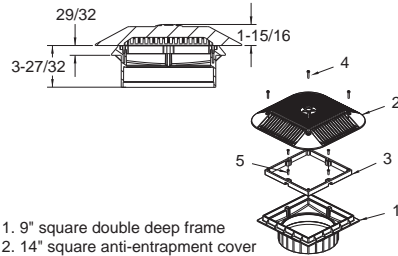


1. 14" x 14" to 9" x 9" square anti-entrapment cover
2. 14" x 14" to 9" x 9" square retro adapter frame
3. 10-32 x 1" pan head Phillips screw, ss, qty 4
4. #10 x 3/4" lg flat head Phillips screw, qty 4
5. 10-24 x 1-1/4" flat head Phillips screw, ss, qty 4

Also includes (not shown):
10x1" flat head Phillips screw, ss, qty 4
10x1-1/2" flat head Philips screw, ss, qty 4

ADDITIONAL PRODUCT CONFIGURATIONS FOR 914XXX

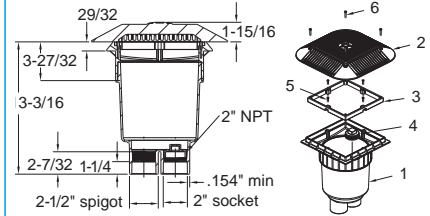
Double-Deep Sump



1. 9" square double deep frame
2. 14" square anti-entrapment cover
3. 9" square to 14" square adapter
4. 10-32 x 1" pan head Phillips screw, 316 ss, qty 4
5. #10 x 3/4" flat head Phillips screw, 316 ss, qty 4

Part #
914xxxA
2 per case

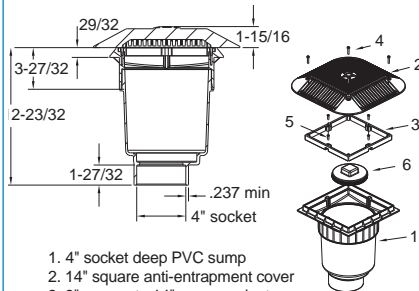
Dual-Port 2-1/2" Spigot x 2" Socket Deep PVC Sump



1. Dual-port 2-1/2" spigot x 2" socket deep PVC sump
2. 14" square anti-entrapment cover
3. 9" square to 14" square adapter
4. 2" tapered pipe thread plug
5. #10 x 3/4" flat head Phillips screw, 316 ss, qty 4
6. 10-32 x 1" pan head Phillips screw, 316 ss, qty 4

Part #
914xxxB
1 per case

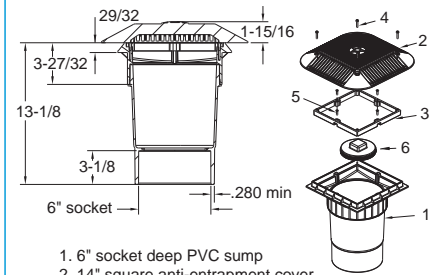
4" Socket Deep PVC Sump



1. 4" socket deep PVC sump
2. 14" square anti-entrapment cover
3. 9" square to 14" square adapter
4. 10-32 x 1" pan head Phillips screw, 316 ss, qty 4
5. #10 x 3/4" flat head Phillips screw, 316 ss, qty 4
6. 6" NPT plug

Part #
914xxxD
1 per case

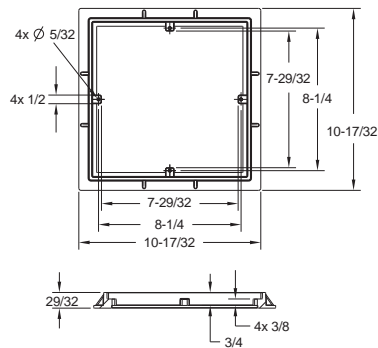
6" Socket Deep PVC Sump



1. 6" socket deep PVC sump
2. 14" square anti-entrapment cover
3. 9" square to 14" square adapter
4. 10-32 x 1" pan head Phillips screw, 316 ss, qty 4
5. #10 x 3/4" flat head Phillips screw, 316 ss, qty 4
6. 6" NPT plug

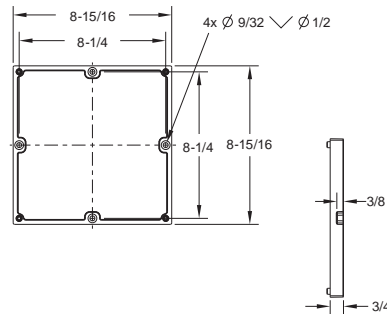
Part #
914xxxF
1 per case

Mud Frame



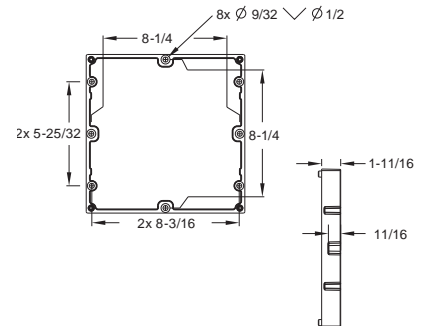
Part # 9FRxxx
20 per case

Retrofit Adapter Frame for 3/4" deep 9" square retrofits



Part # 914FRxxx
12 per case

Retrofit Adapter Frame for 1" deep 9" square retrofits



Part # R914FRxxx
12 per case