

Jandy®



NeverLube® Valve Technical Specifications & Head Loss Charts



ZODIAC POOL SYSTEMS, INC.

| | |
|--|----|
| 4715: 1½"-2" 3-Port NeverLube® Valve (1½" 90°Flow) | 3 |
| 4715: 1½"-2" 3-Port NeverLube Valve (1½" "T" Flow) | 4 |
| 4715: 1½"-2" 3-Port NeverLube Valve (2" 90° Flow) | 5 |
| 4715: 1½"-2" 3-Port NeverLube Valve (2" "T" Flow) | 6 |
| 4716: 2"-2½" 2-Port NeverLube Valve (2" Flow) | 7 |
| 4716: 2"-2½" 2-Port NeverLube Valve (2½" Flow) | 8 |
| 4717: 2"-2½" 3-Port NeverLube Valve (2" 90° Flow) | 9 |
| 4717: 2"-2½" 3-Port NeverLube Valve (2" "T" Flow) | 10 |
| 4717: 2"-2½" 3-Port NeverLube Valve (2½" 90° Flow) | 11 |
| 4717: 2"-2½" 3-Port NeverLube Valve (2½" "T" Flow) | 12 |
| 4718: 2½"-3" 2-Port Large NeverLube Valve (2½" Flow) | 13 |
| 4718: 2½"-3" 2-Port Large NeverLube Valve (3" Flow) | 14 |
| 4719: 2½"-3" 3-Port Large NeverLube Valve (3" "T" Flow) | 15 |
| 4719: 2½"-3" 3-Port Large NeverLube Valve (3" 90° Flow) | 16 |
| 4724: 1½"-2" 2-Port NeverLube Valve (1½" Flow) | 17 |
| 4724: 1½"-2" 2-Port NeverLube Valve (2" Flow) | 18 |
| 7235: 1½"-2" 180° NeverLube Check Valve (1½" Flow) | 19 |
| 7235: 1½"-2" 180° NeverLube Check Valve (2" Flow) | 20 |
| 7305: 2"-2½" 180° NeverLube Check Valve (2" Flow) | 21 |
| 7305: 2"-2½" 180° NeverLube Check Valve (2½" Flow) | 22 |
| 7307: 2½"-3" 180° NeverLube Large Check Valve (2½" Flow) | 23 |
| 7307: 2½"-3" 180° NeverLube Large Check Valve (3" Flow) | 24 |
| 7511: 1½"-2" 90° NeverLube Check Valve (1½" Flow) | 25 |
| 7511: 1½"-2" 90° NeverLube Check Valve (2" Flow) | 26 |
| 7512: 2"-2½" 90° NeverLube Check Valve (2" Flow) | 27 |
| 7512: 2"-2½" 90° NeverLube Check Valve (2½" Flow) | 28 |

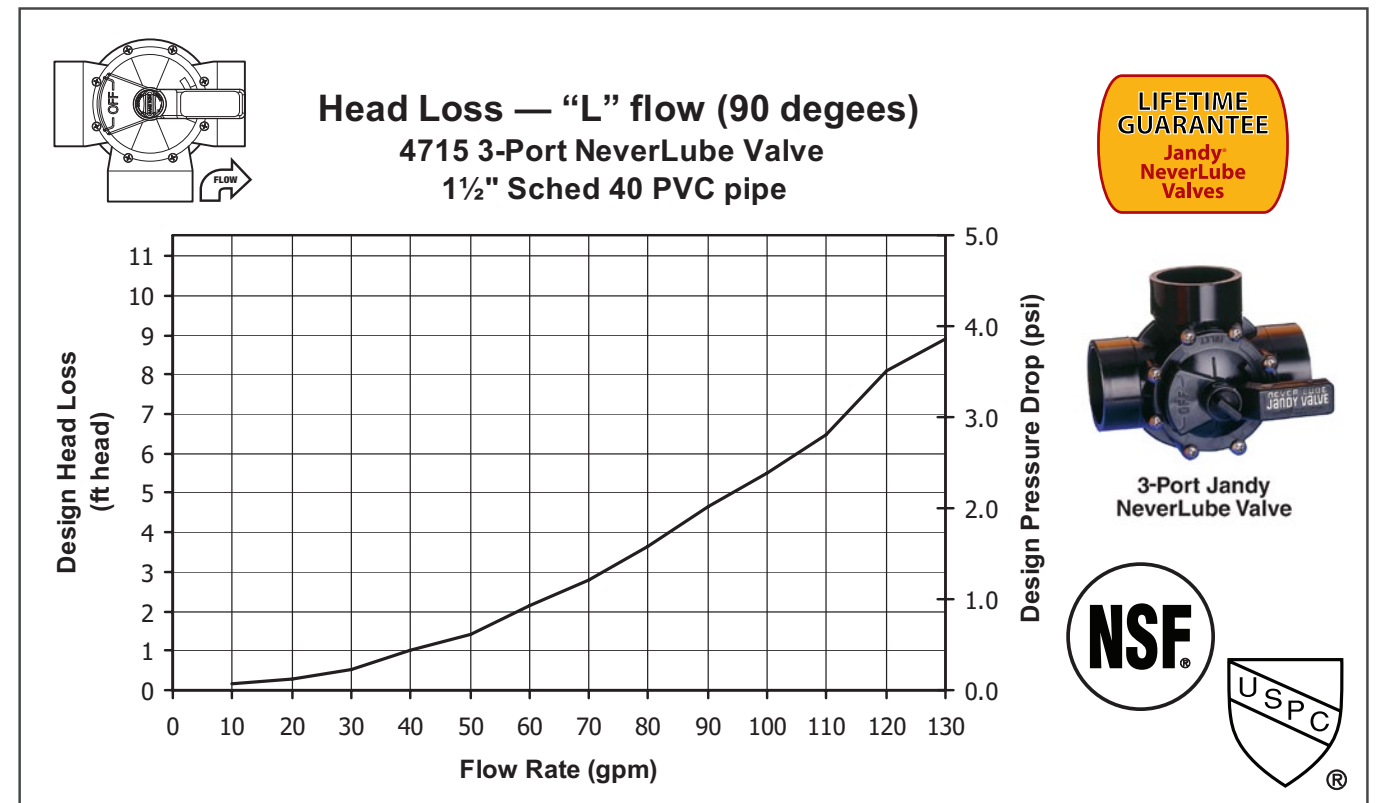
4715: 1½"-2" 3-Port NeverLube® Valve (1½" 90° Flow)

Materials Used:

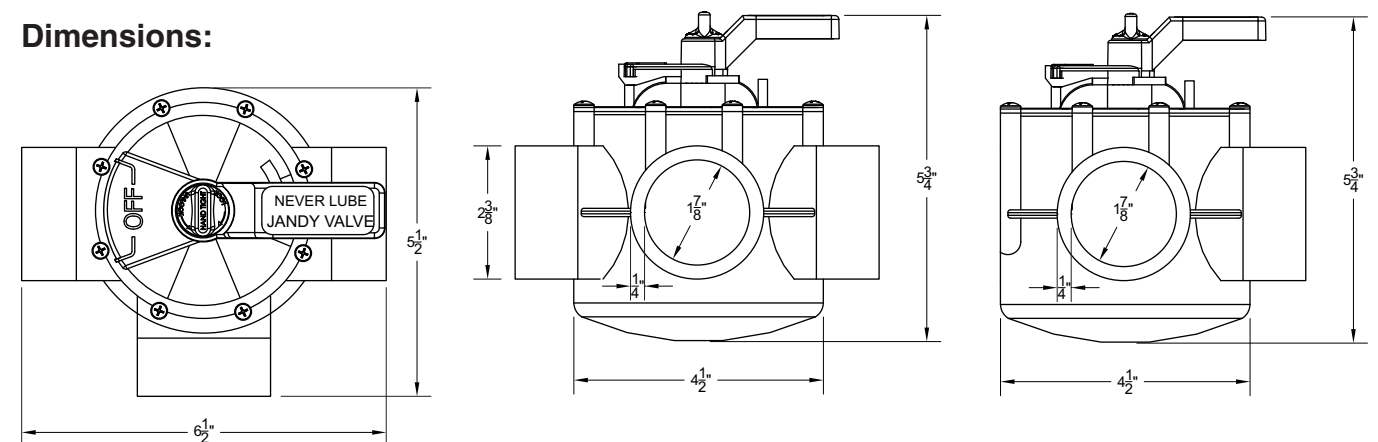
- Valve Cover Screws:** Stainless Steel
- Valve Knob:** ABS Plastic w/ UVI
- Valve Handle:** ABS Plastic w/ UVI
- Valve Cover:** CPVC Plastic
- Valve Body:** CPVC Plastic
- Valve Diverter:** PPE/PS Plastic, Glass Reinforced
- Diverter Seal:** NeverLube Seal Material
- Large O-ring:** Silicone Lubricated Elastomer
- Small O-ring:** Silicone Lubricated Elastomer

Technical Specifications:

- Max. Working Pressure:** 50 psi
- Chlorine Resistant**
- Acid Resistant**
- Ozone Resistant**



Dimensions:



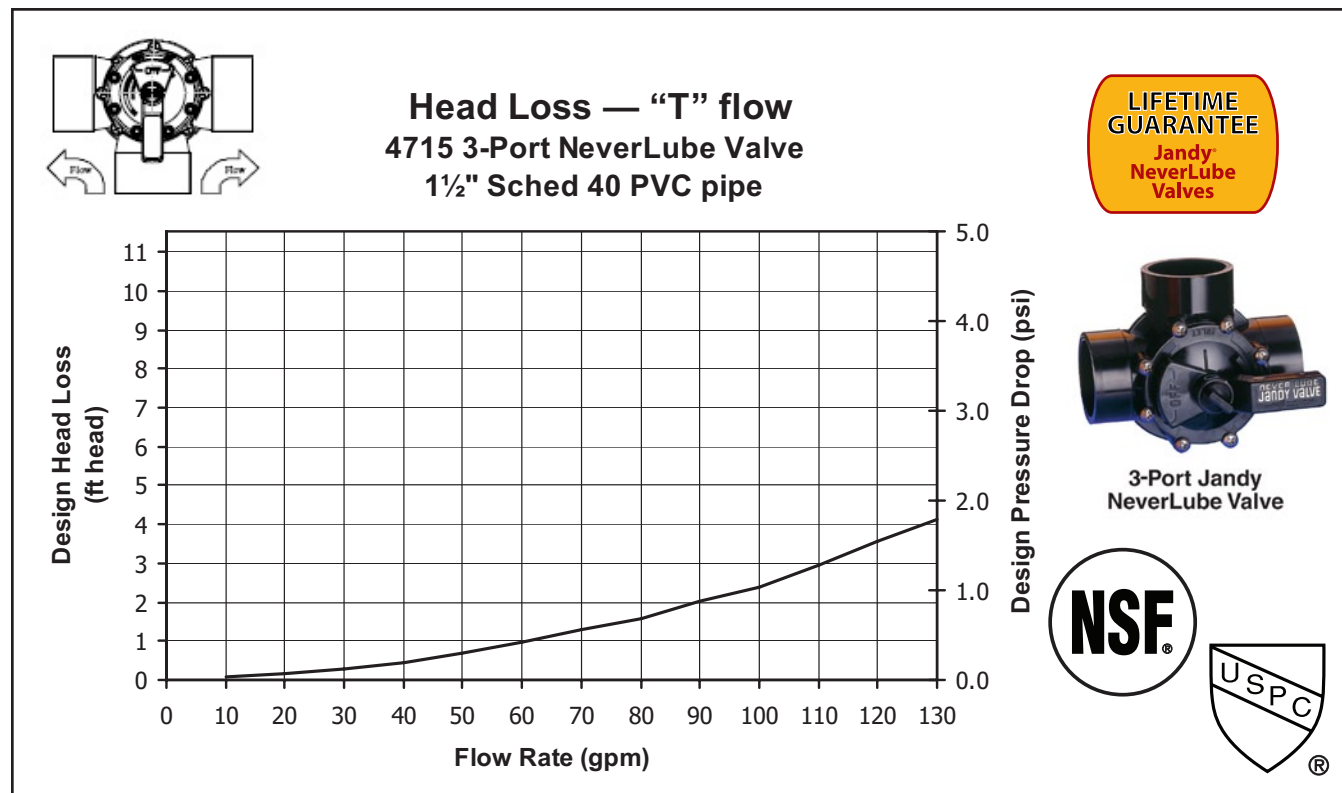
4715: 1½"-2" 3-Port NeverLube® Valve (1½" "T" Flow)

Materials Used:

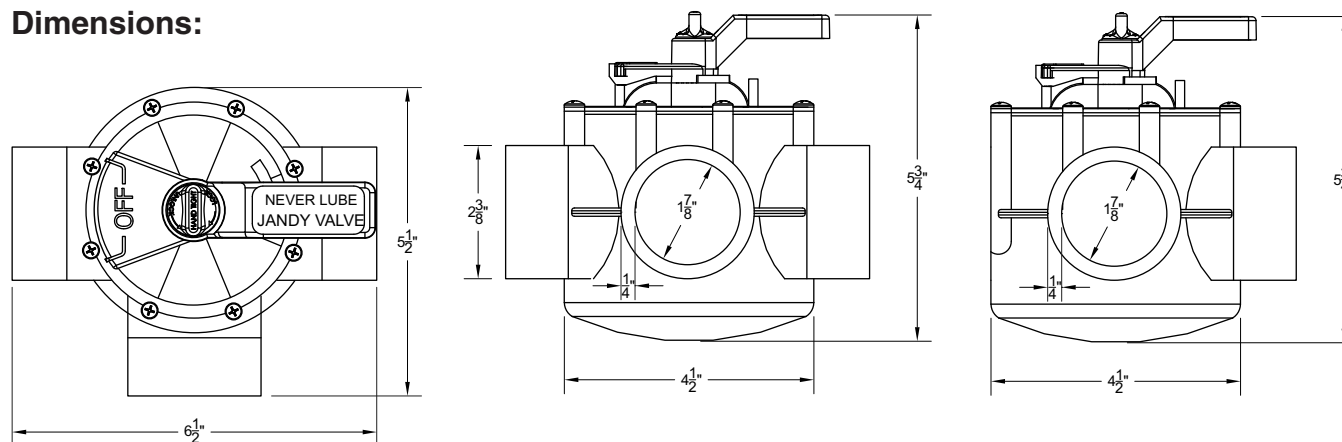
| | |
|----------------------------|----------------------------------|
| Valve Cover Screws: | Stainless Steel |
| Valve Knob: | ABS Plastic w/ UVI |
| Valve Handle: | ABS Plastic w/ UVI |
| Valve Cover: | CPVC Plastic |
| Valve Body: | CPVC Plastic |
| Valve Diverter: | PPE/PS Plastic, Glass Reinforced |
| Diverter Seal: | NeverLube Seal Material |
| Large O-ring: | Silicone Lubricated Elastomer |
| Small O-ring: | Silicone Lubricated Elastomer |

Technical Specifications:

| | |
|-------------------------------|--------|
| Max. Working Pressure: | 50 psi |
| Chlorine Resistant | |
| Acid Resistant | |
| Ozone Resistant | |



Dimensions:



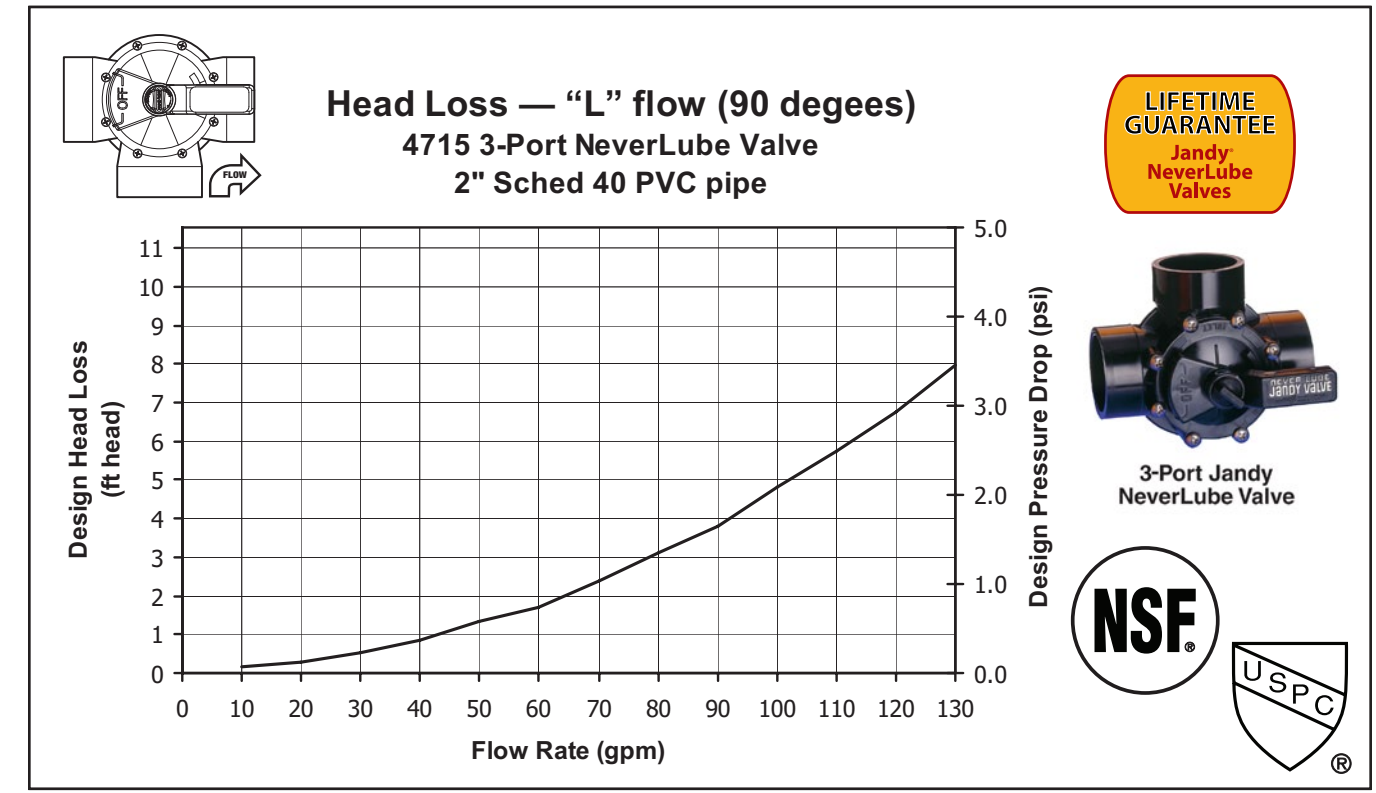
4715: 1½"-2" 3-Port NeverLube® Valve (2" 90° Flow)

Materials Used:

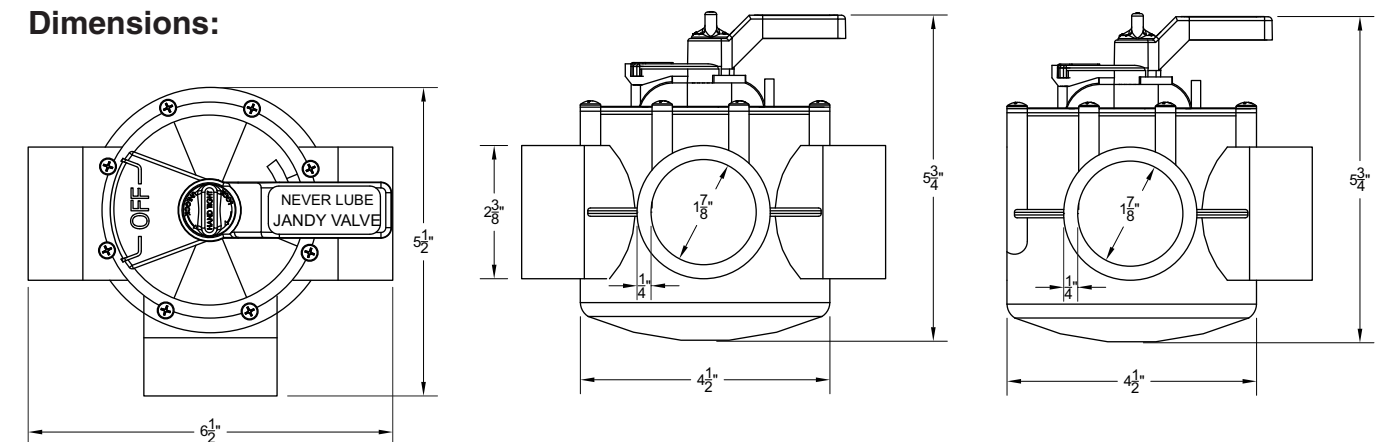
| | |
|----------------------------|----------------------------------|
| Valve Cover Screws: | Stainless Steel |
| Valve Knob: | ABS Plastic w/ UVI |
| Valve Handle: | ABS Plastic w/ UVI |
| Valve Cover: | CPVC Plastic |
| Valve Body: | CPVC Plastic |
| Valve Diverter: | PPE/PS Plastic, Glass Reinforced |
| Diverter Seal: | NeverLube Seal Material |
| Large O-ring: | Silicone Lubricated Elastomer |
| Small O-ring: | Silicone Lubricated Elastomer |

Technical Specifications:

| | |
|-------------------------------|--------|
| Max. Working Pressure: | 50 psi |
| Chlorine Resistant | |
| Acid Resistant | |
| Ozone Resistant | |



Dimensions:



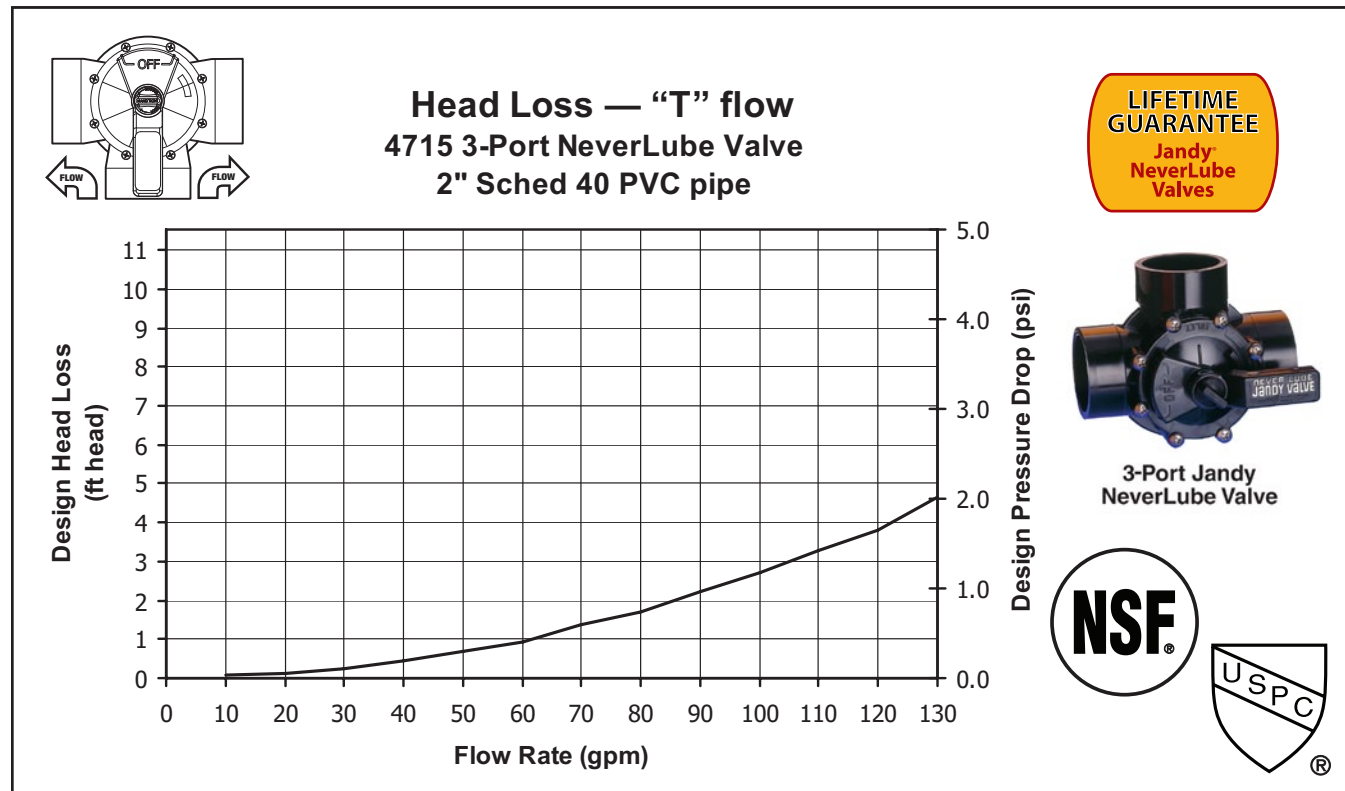
4715: 1½"–2" 3-Port NeverLube® Valve (2" "T" Flow)

Materials Used:

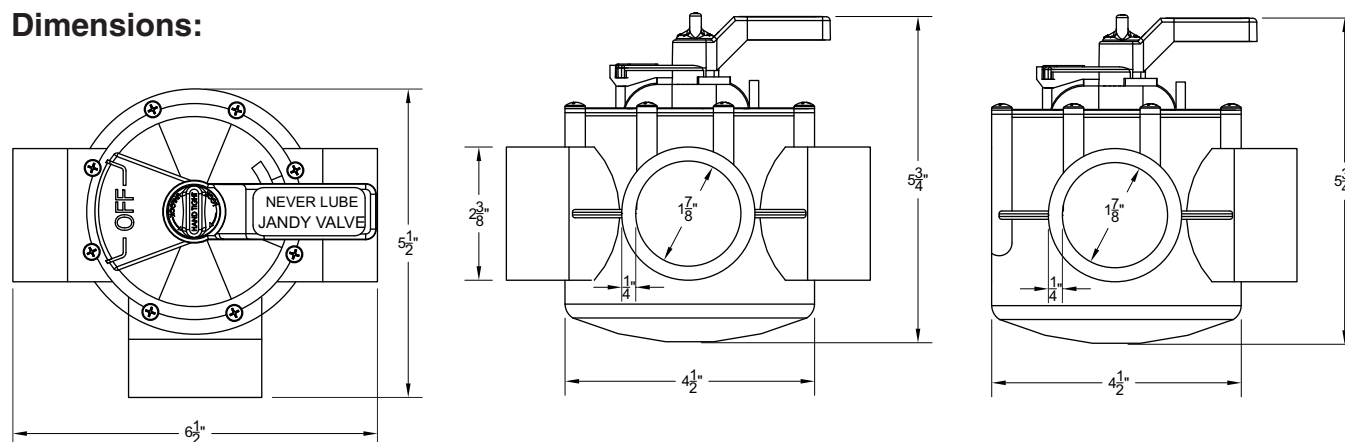
| | |
|----------------------------|----------------------------------|
| Valve Cover Screws: | Stainless Steel |
| Valve Knob: | ABS Plastic w/ UVI |
| Valve Handle: | ABS Plastic w/ UVI |
| Valve Cover: | CPVC Plastic |
| Valve Body: | CPVC Plastic |
| Valve Diverter: | PPE/PS Plastic, Glass Reinforced |
| Diverter Seal: | NeverLube Seal Material |
| Large O-ring: | Silicone Lubricated Elastomer |
| Small O-ring: | Silicone Lubricated Elastomer |

Technical Specifications:

| | |
|-------------------------------|--------|
| Max. Working Pressure: | 50 psi |
| Chlorine Resistant | |
| Acid Resistant | |
| Ozone Resistant | |



Dimensions:



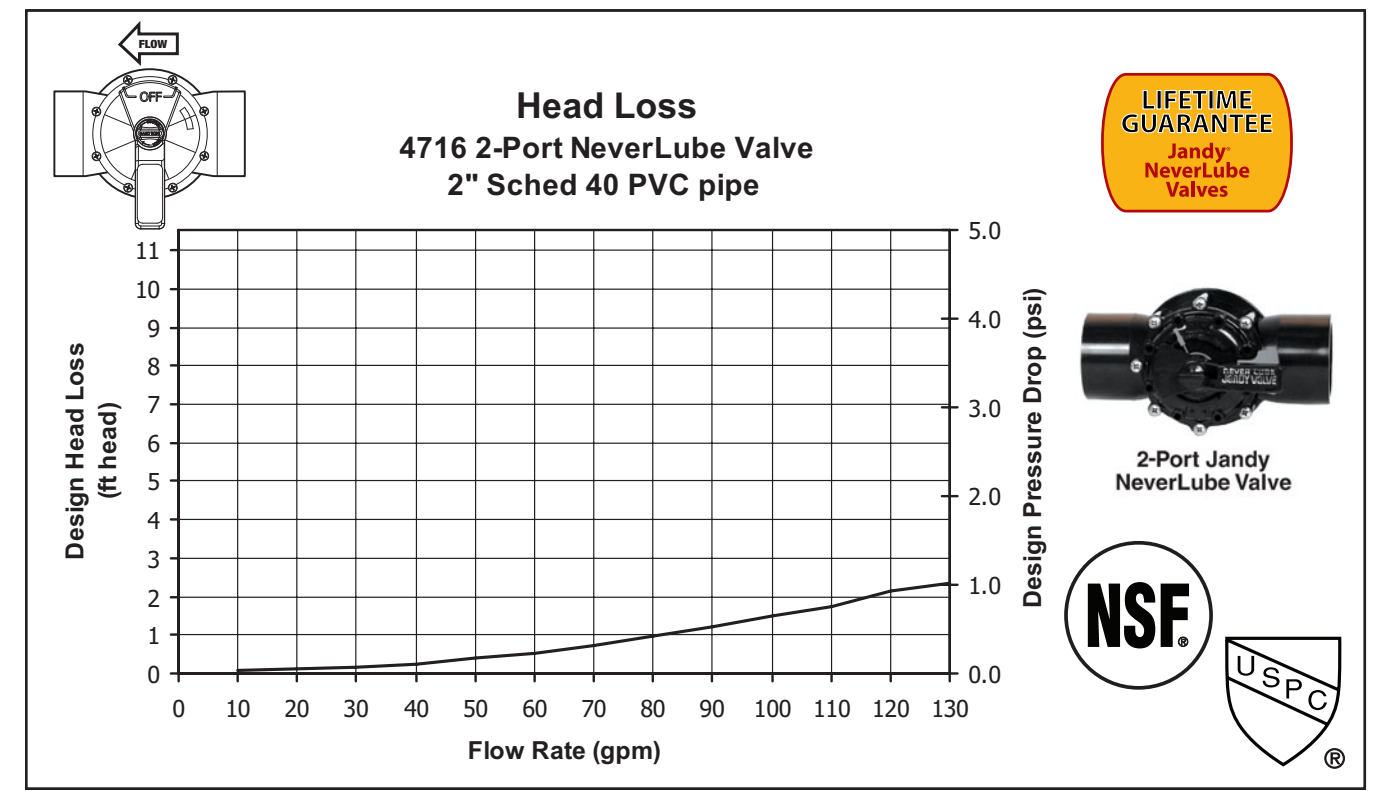
4716: 2"–2 ½" 2-Port NeverLube® Valve (2" Flow)

Materials Used:

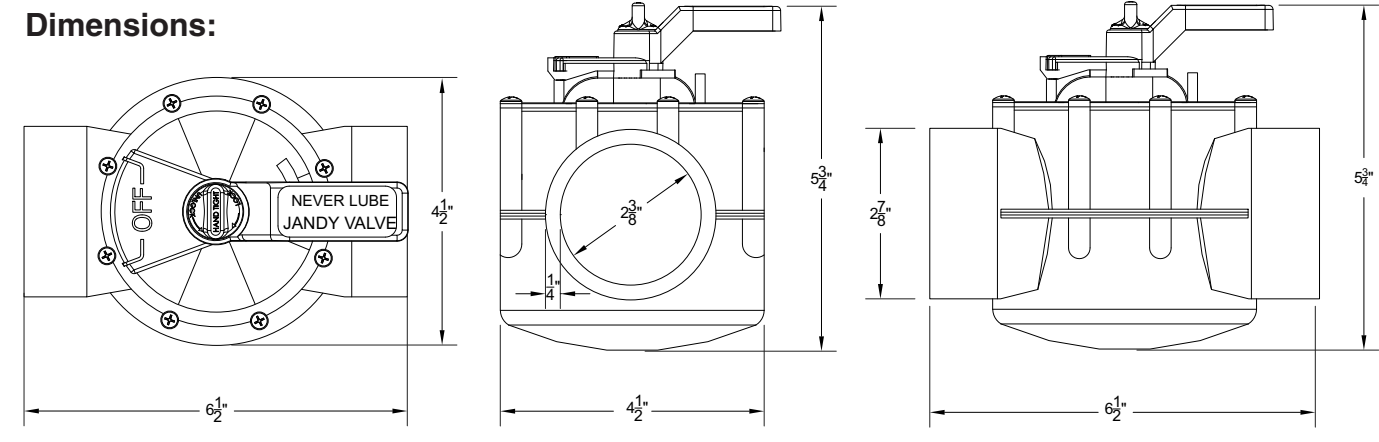
| | |
|----------------------------|----------------------------------|
| Valve Cover Screws: | Stainless Steel |
| Valve Knob: | ABS Plastic w/ UVI |
| Valve Handle: | ABS Plastic w/ UVI |
| Valve Cover: | CPVC Plastic |
| Valve Body: | CPVC Plastic |
| Valve Diverter: | PPE/PS Plastic, Glass Reinforced |
| Diverter Seal: | NeverLube Seal Material |
| Large O-ring: | Silicone Lubricated Elastomer |
| Small O-ring: | Silicone Lubricated Elastomer |

Technical Specifications:

| | |
|-------------------------------|--------|
| Max. Working Pressure: | 50 psi |
| Chlorine Resistant | |
| Acid Resistant | |
| Ozone Resistant | |



Dimensions:



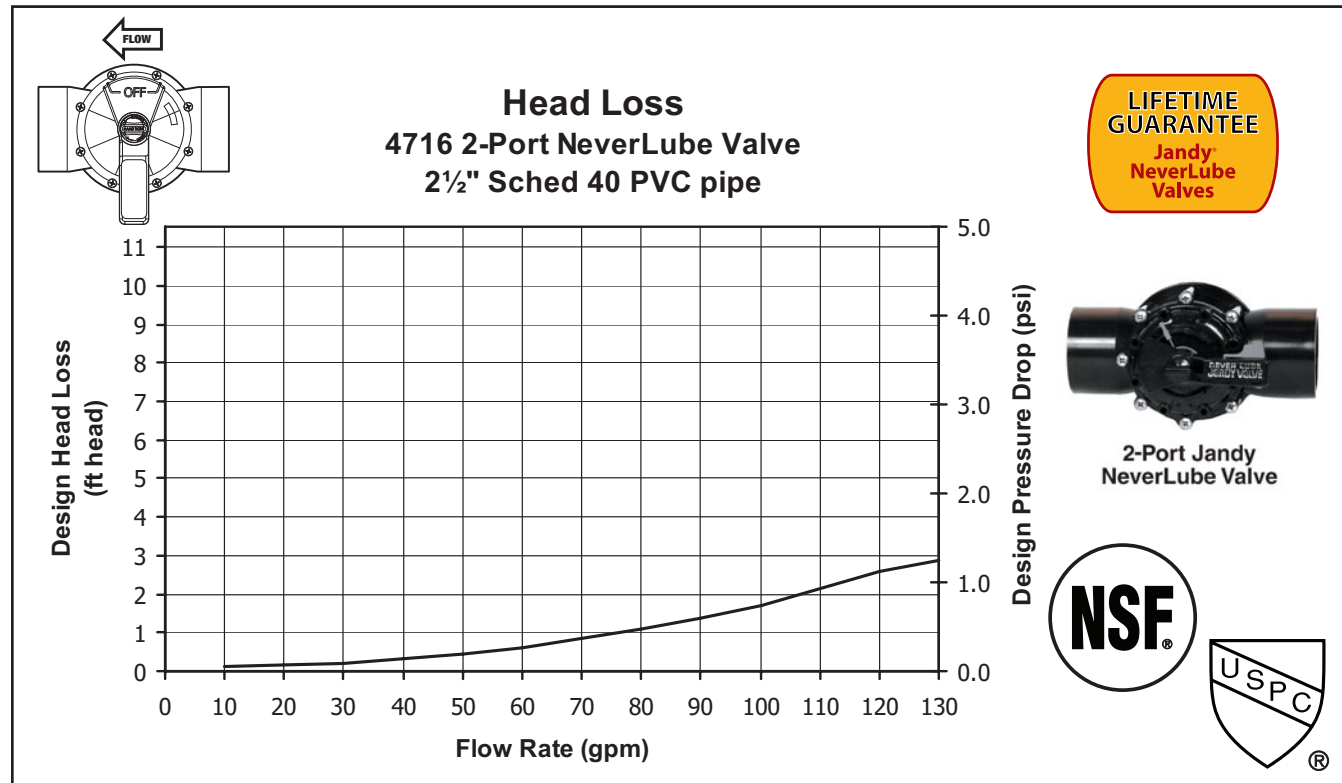
4716: 2"-2½" 2-Port NeverLube® Valve (2½" Flow)

Materials Used:

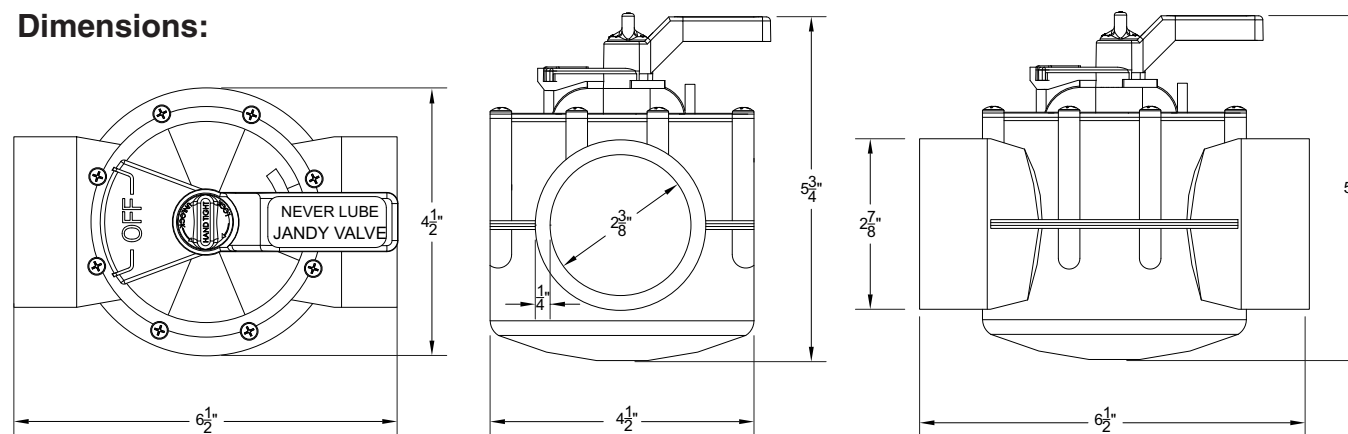
| | |
|----------------------------|----------------------------------|
| Valve Cover Screws: | Stainless Steel |
| Valve Knob: | ABS Plastic w/ UVI |
| Valve Handle: | ABS Plastic w/ UVI |
| Valve Cover: | CPVC Plastic |
| Valve Body: | CPVC Plastic |
| Valve Diverter: | PPE/PS Plastic, Glass Reinforced |
| Diverter Seal: | NeverLube Seal Material |
| Large O-ring: | Silicone Lubricated Elastomer |
| Small O-ring: | Silicone Lubricated Elastomer |

Technical Specifications:

Max. Working Pressure: 50 psi
Chlorine Resistant
Acid Resistant
Ozone Resistant



Dimensions:



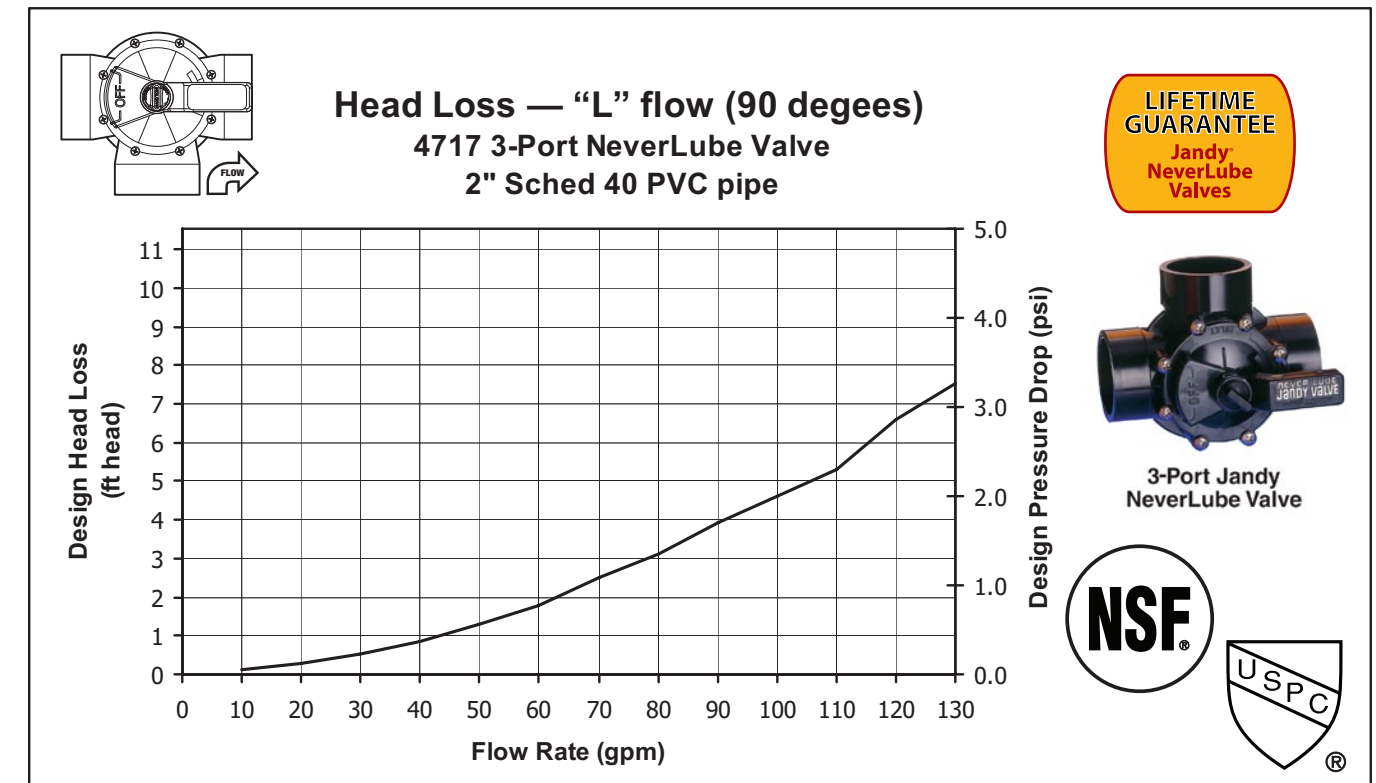
4717: 2"-2½" 3-Port NeverLube® Valve (2" 90° Flow)

Materials Used:

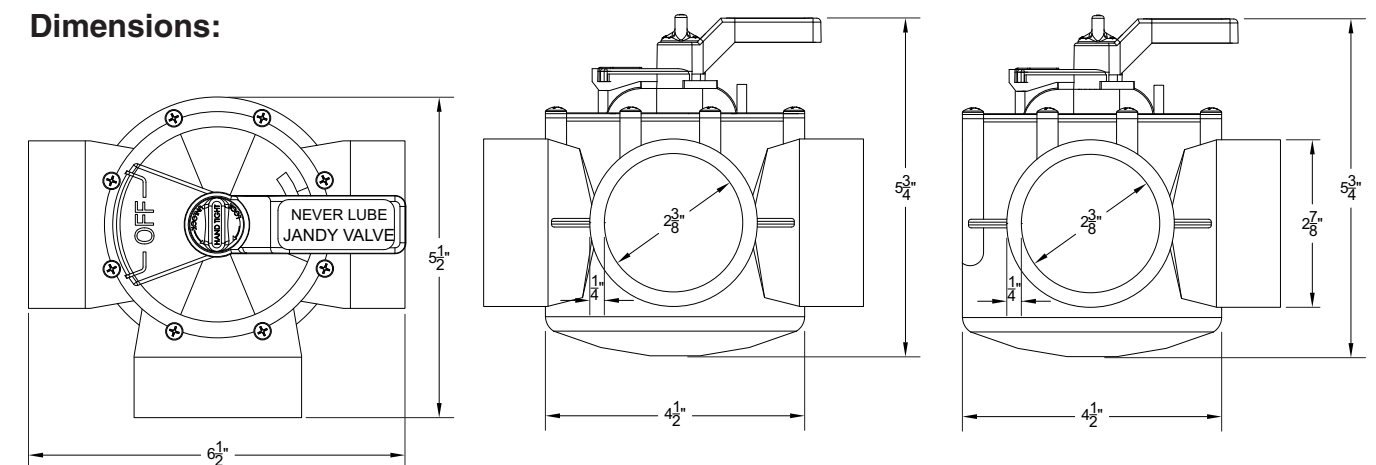
| | |
|----------------------------|----------------------------------|
| Valve Cover Screws: | Stainless Steel |
| Valve Knob: | ABS Plastic w/ UVI |
| Valve Handle: | ABS Plastic w/ UVI |
| Valve Cover: | CPVC Plastic |
| Valve Body: | CPVC Plastic |
| Valve Diverter: | PPE/PS Plastic, Glass Reinforced |
| Diverter Seal: | NeverLube Seal Material |
| Large O-ring: | Silicone Lubricated Elastomer |
| Small O-ring: | Silicone Lubricated Elastomer |

Technical Specifications:

Max. Working Pressure: 50 psi
Chlorine Resistant
Acid Resistant
Ozone Resistant



Dimensions:



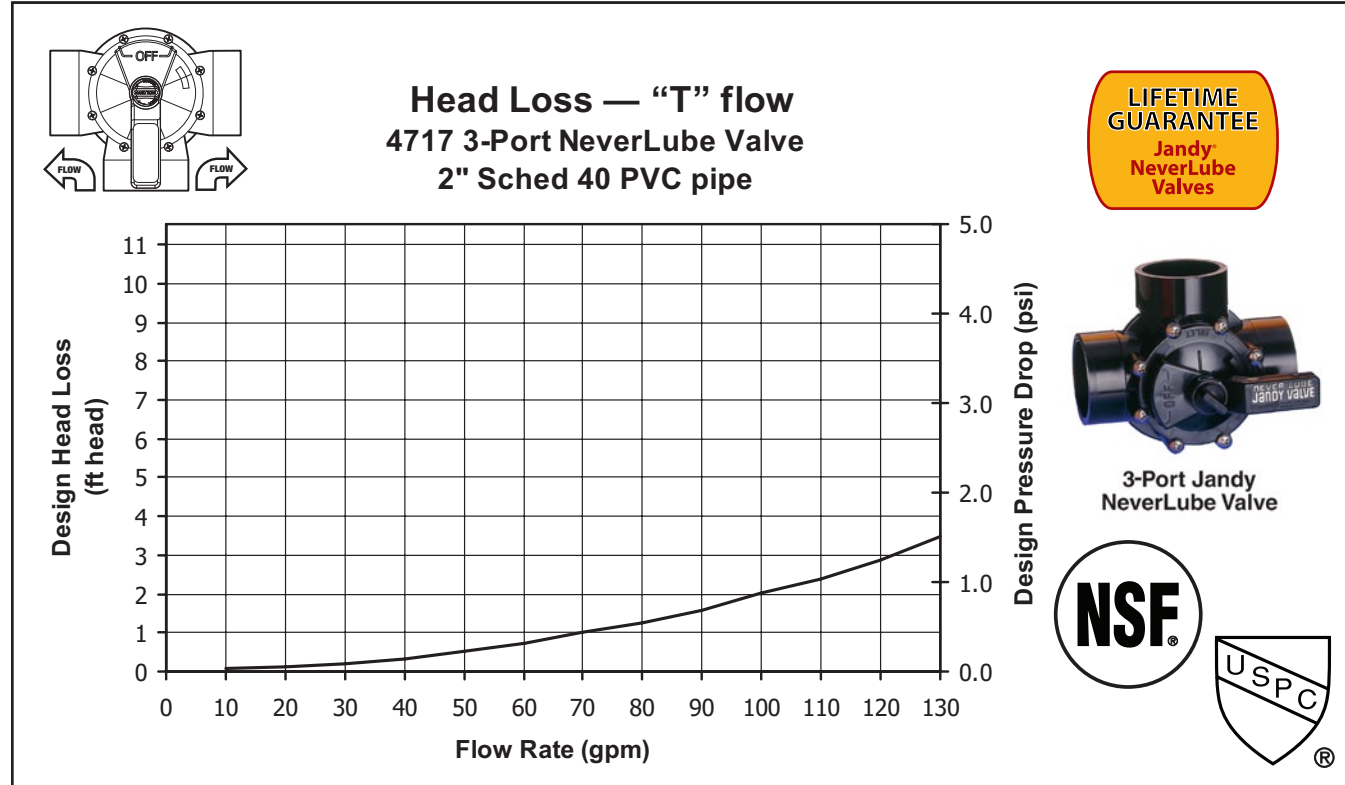
4717: 2"-2 1/2" 3-Port NeverLube® Valve (2" "T" Flow)

Materials Used:

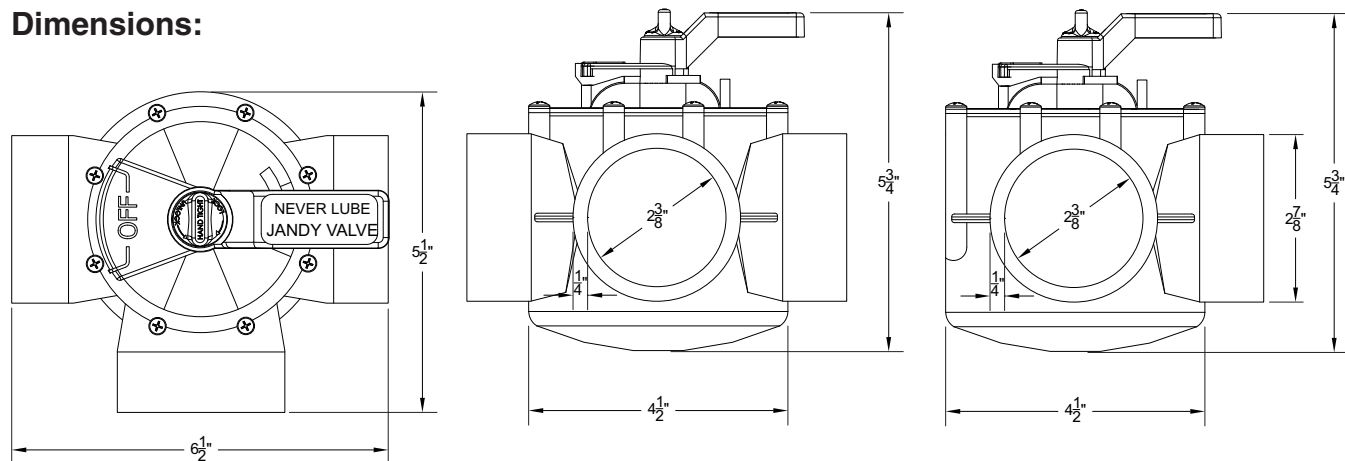
| | |
|----------------------------|----------------------------------|
| Valve Cover Screws: | Stainless Steel |
| Valve Knob: | ABS Plastic w/ UVI |
| Valve Handle: | ABS Plastic w/ UVI |
| Valve Cover: | CPVC Plastic |
| Valve Body: | CPVC Plastic |
| Valve Diverter: | PPE/PS Plastic, Glass Reinforced |
| Diverter Seal: | NeverLube Seal Material |
| Large O-ring: | Silicone Lubricated Elastomer |
| Small O-ring: | Silicone Lubricated Elastomer |

Technical Specifications:

| | |
|-------------------------------|--------|
| Max. Working Pressure: | 50 psi |
| Chlorine Resistant | |
| Acid Resistant | |
| Ozone Resistant | |



Dimensions:



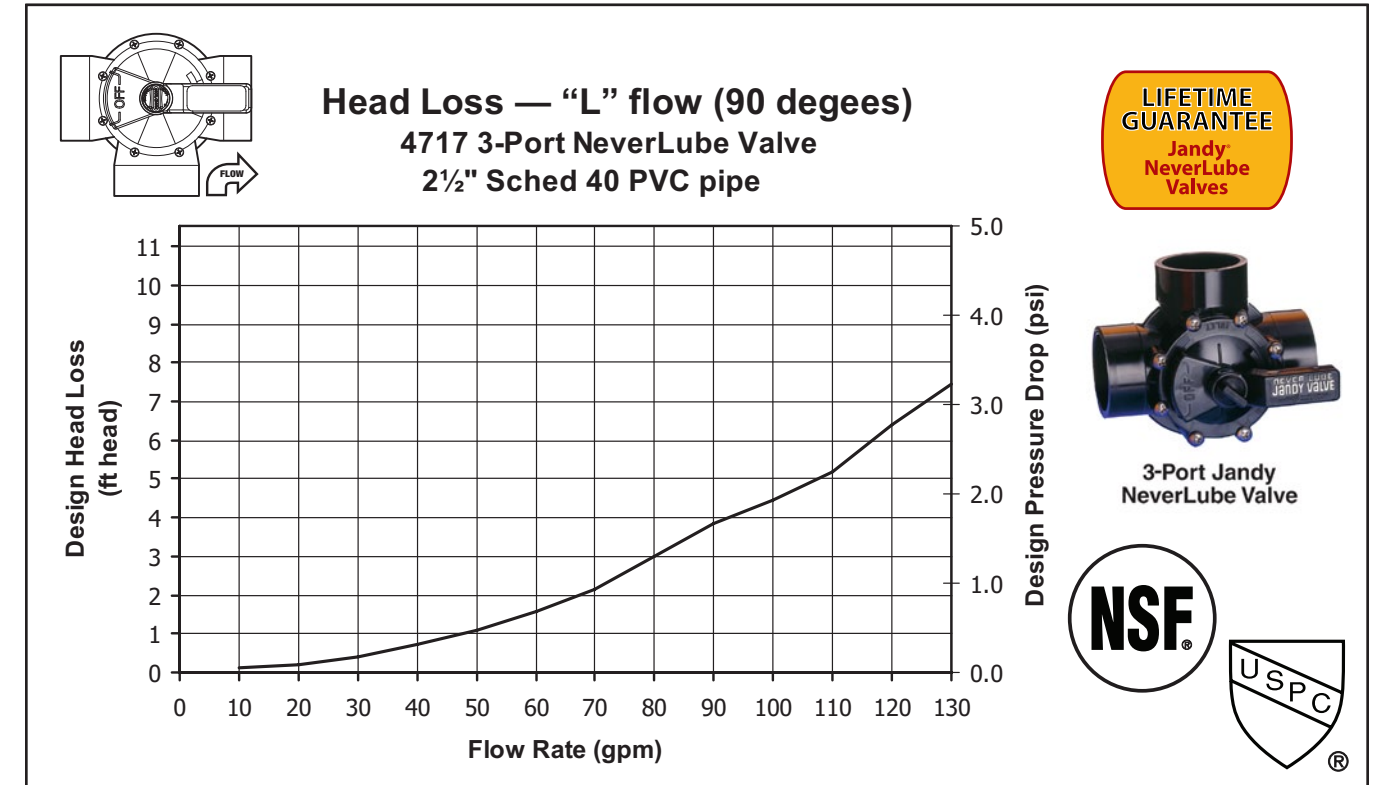
4717: 2"-2 1/2" 3-Port NeverLube® Valve (2 1/2" 90° Flow)

Materials Used:

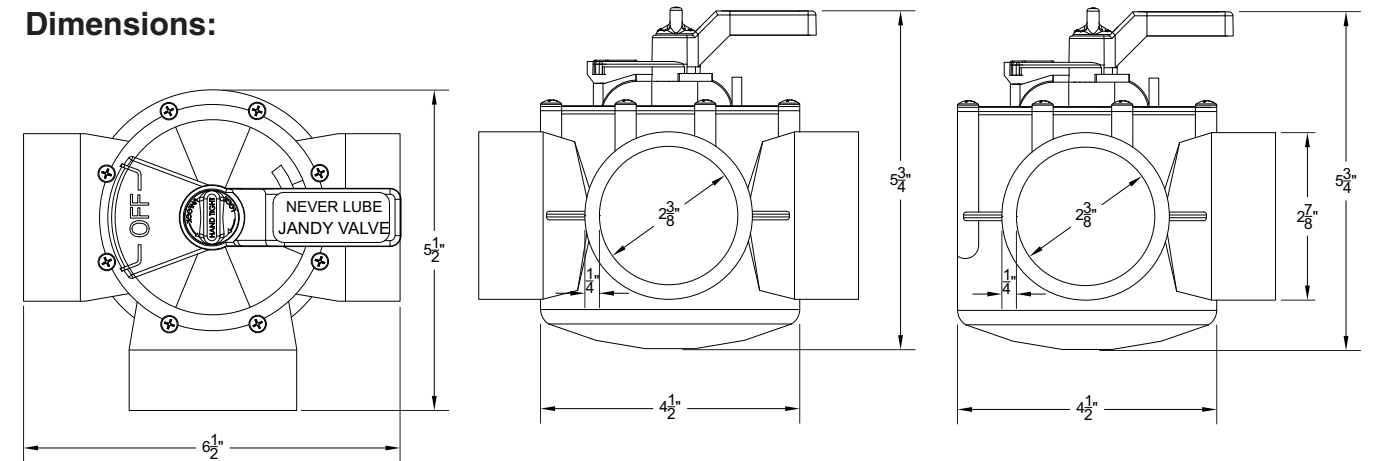
| | |
|----------------------------|----------------------------------|
| Valve Cover Screws: | Stainless Steel |
| Valve Knob: | ABS Plastic w/ UVI |
| Valve Handle: | ABS Plastic w/ UVI |
| Valve Cover: | CPVC Plastic |
| Valve Body: | CPVC Plastic |
| Valve Diverter: | PPE/PS Plastic, Glass Reinforced |
| Diverter Seal: | NeverLube Seal Material |
| Large O-ring: | Silicone Lubricated Elastomer |
| Small O-ring: | Silicone Lubricated Elastomer |

Technical Specifications:

| | |
|-------------------------------|--------|
| Max. Working Pressure: | 50 psi |
| Chlorine Resistant | |
| Acid Resistant | |
| Ozone Resistant | |



Dimensions:



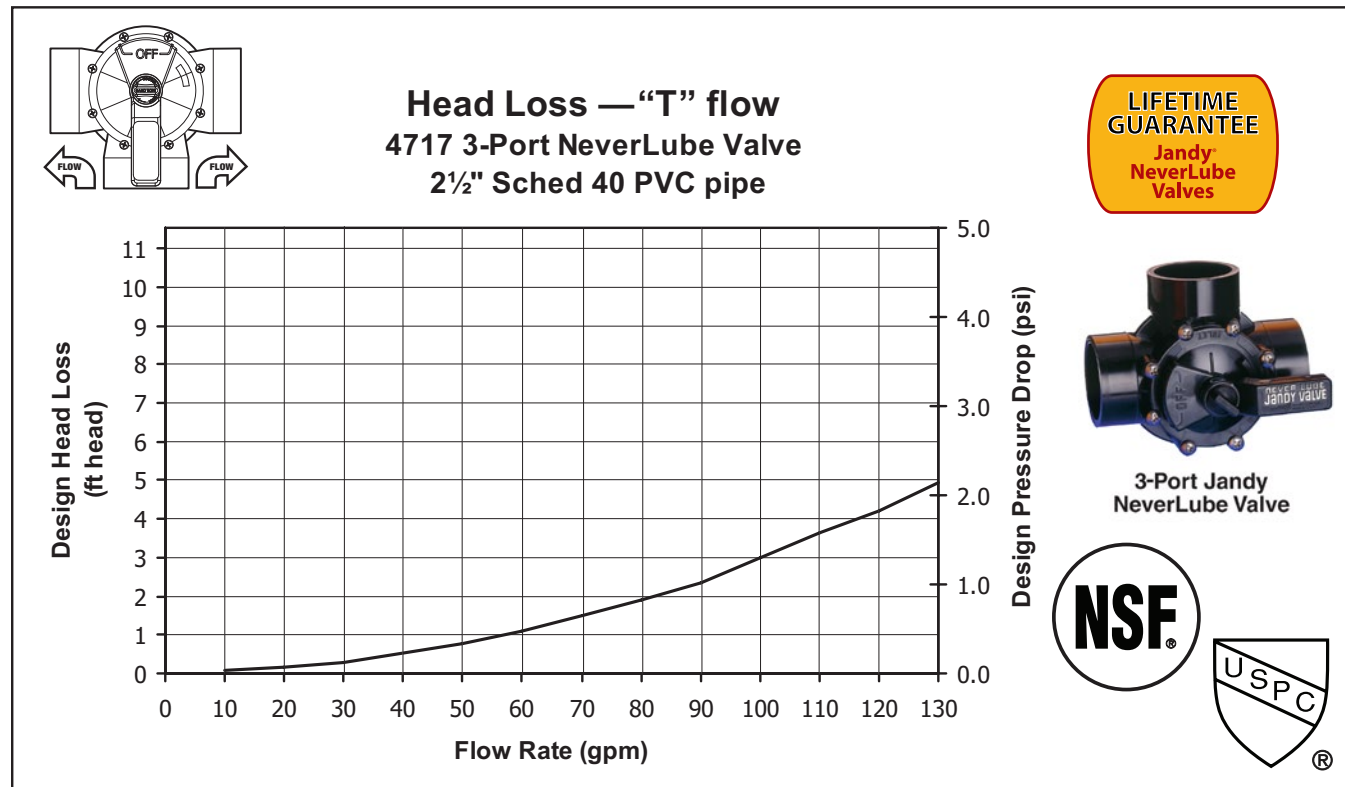
4717: 2"-2 1/2" 3-Port NeverLube® Valve (2 1/2" "T" Flow)

Materials Used:

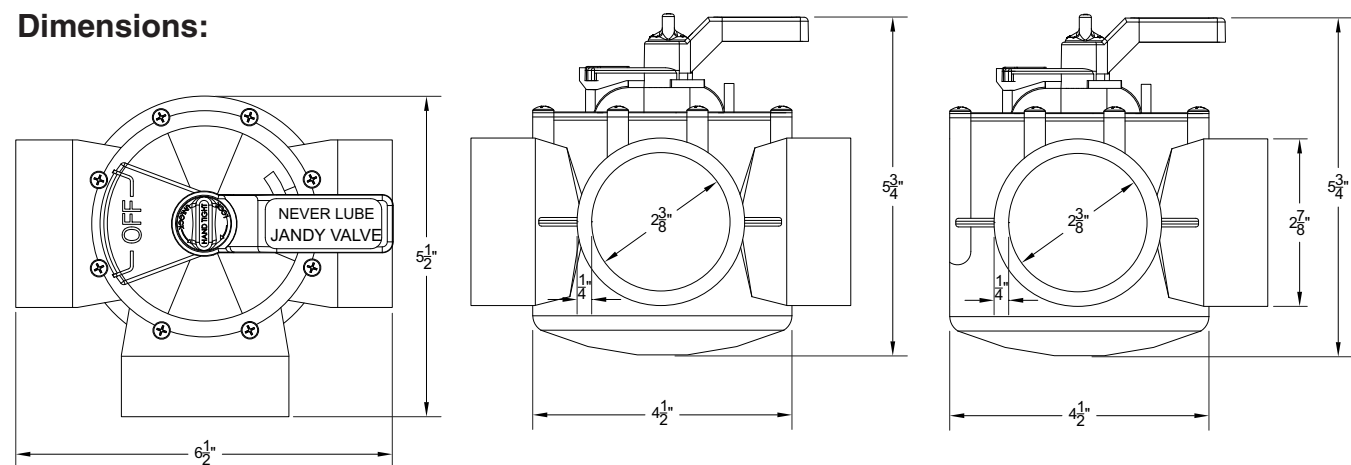
| | |
|----------------------------|----------------------------------|
| Valve Cover Screws: | Stainless Steel |
| Valve Knob: | ABS Plastic w/ UVI |
| Valve Handle: | ABS Plastic w/ UVI |
| Valve Cover: | CPVC Plastic |
| Valve Body: | CPVC Plastic |
| Valve Diverter: | PPE/PS Plastic, Glass Reinforced |
| Diverter Seal: | NeverLube Seal Material |
| Large O-ring: | Silicone Lubricated Elastomer |
| Small O-ring: | Silicone Lubricated Elastomer |

Technical Specifications:

Max. Working Pressure: 50 psi
Chlorine Resistant
Acid Resistant
Ozone Resistant



Dimensions:



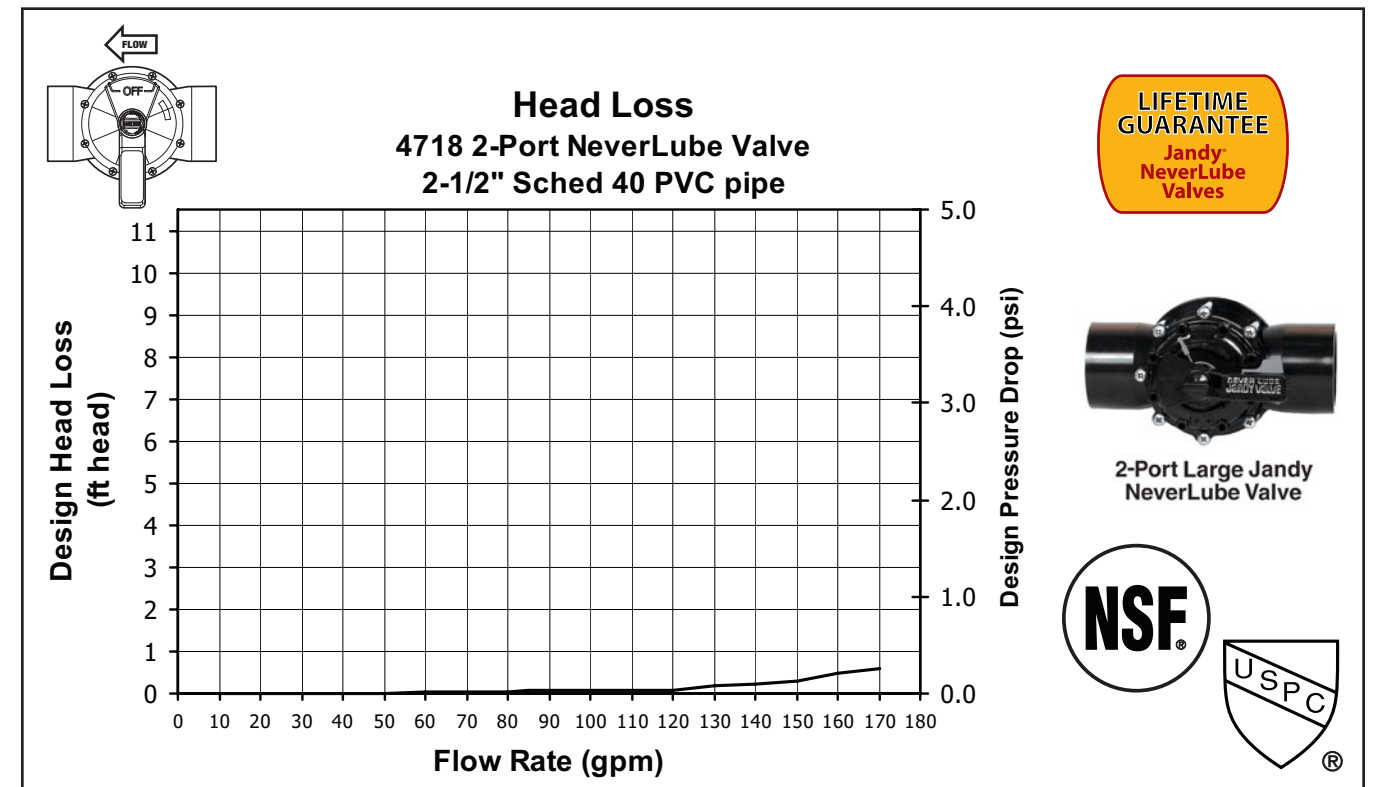
4718: 2 1/2"-3" 2-Port Large NeverLube® Valve (2 1/2" Flow)

Materials Used:

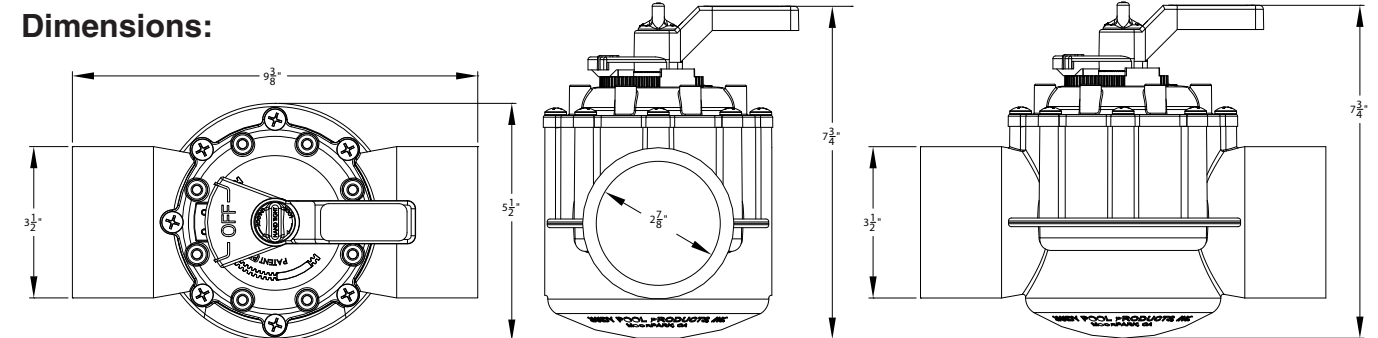
| | |
|----------------------------|----------------------------------|
| Valve Cover Screws: | Stainless Steel |
| Valve Knob: | ABS Plastic w/ UVI |
| Valve Handle: | ABS Plastic w/ UVI |
| Valve Cover: | PPE/PS Plastic, Glass Reinforced |
| Valve Body: | CPVC Plastic |
| Valve Diverter: | PPE/PS Plastic, Glass Reinforced |
| Diverter Seal: | NeverLube Seal Material |
| Large O-ring: | EPDM |
| Small O-ring: | Silicone Lubricated Elastomer |

Technical Specifications:

Max. Working Pressure: 50 psi
Chlorine Resistant
Acid Resistant
Ozone Resistant



Dimensions:



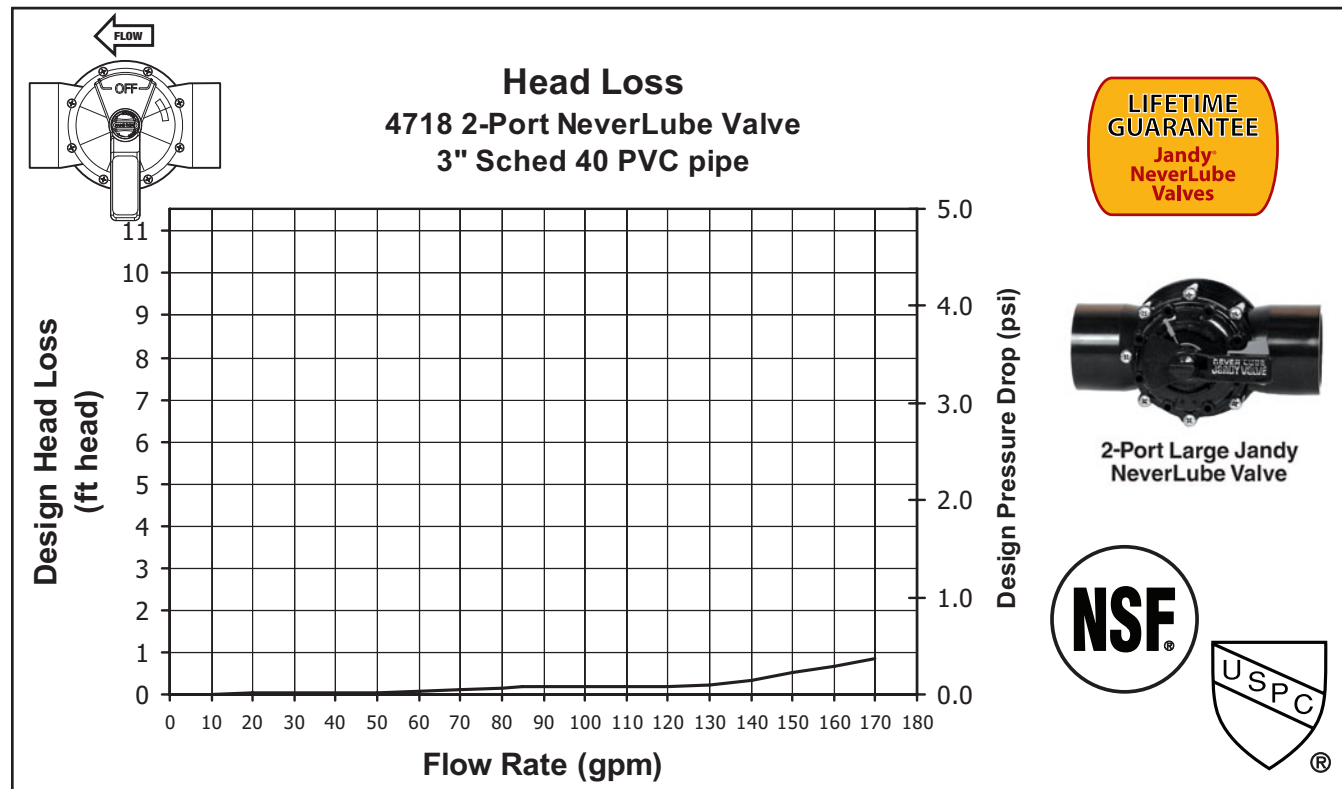
4718: 2½"–3" 2-Port Large NeverLube® Valve (3" Flow)

Materials Used:

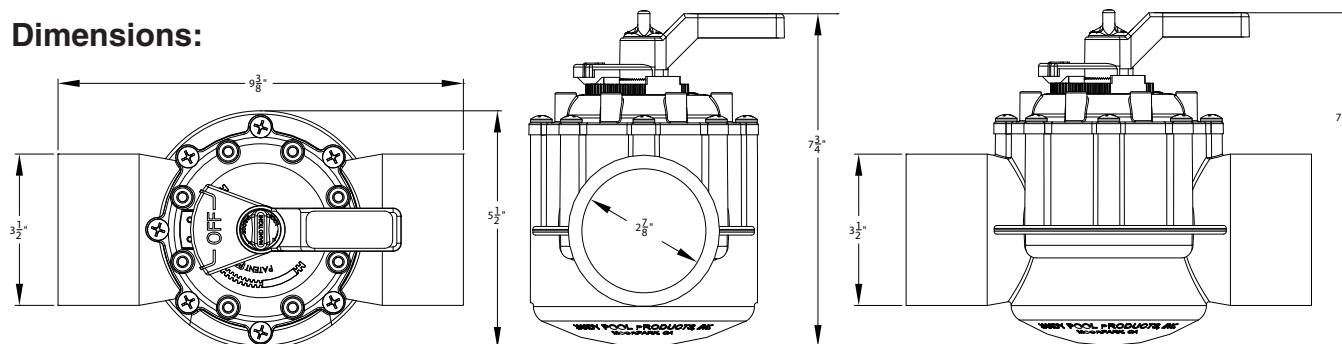
Valve Cover Screws: Stainless Steel
Valve Knob: ABS Plastic w/ UVI
Valve Handle: ABS Plastic w/ UVI
Valve Cover: PPE/PS Plastic, Glass Reinforced
Valve Body: CPVC Plastic
Valve Diverter: PPE/PS Plastic, Glass Reinforced
Diverter Seal: NeverLube Seal Material
Large O-ring: EPDM
Small O-ring: Silicone Lubricated Elastomer

Technical Specifications:

Max. Working Pressure: 50 psi
Chlorine Resistant
Acid Resistant
Ozone Resistant



Dimensions:



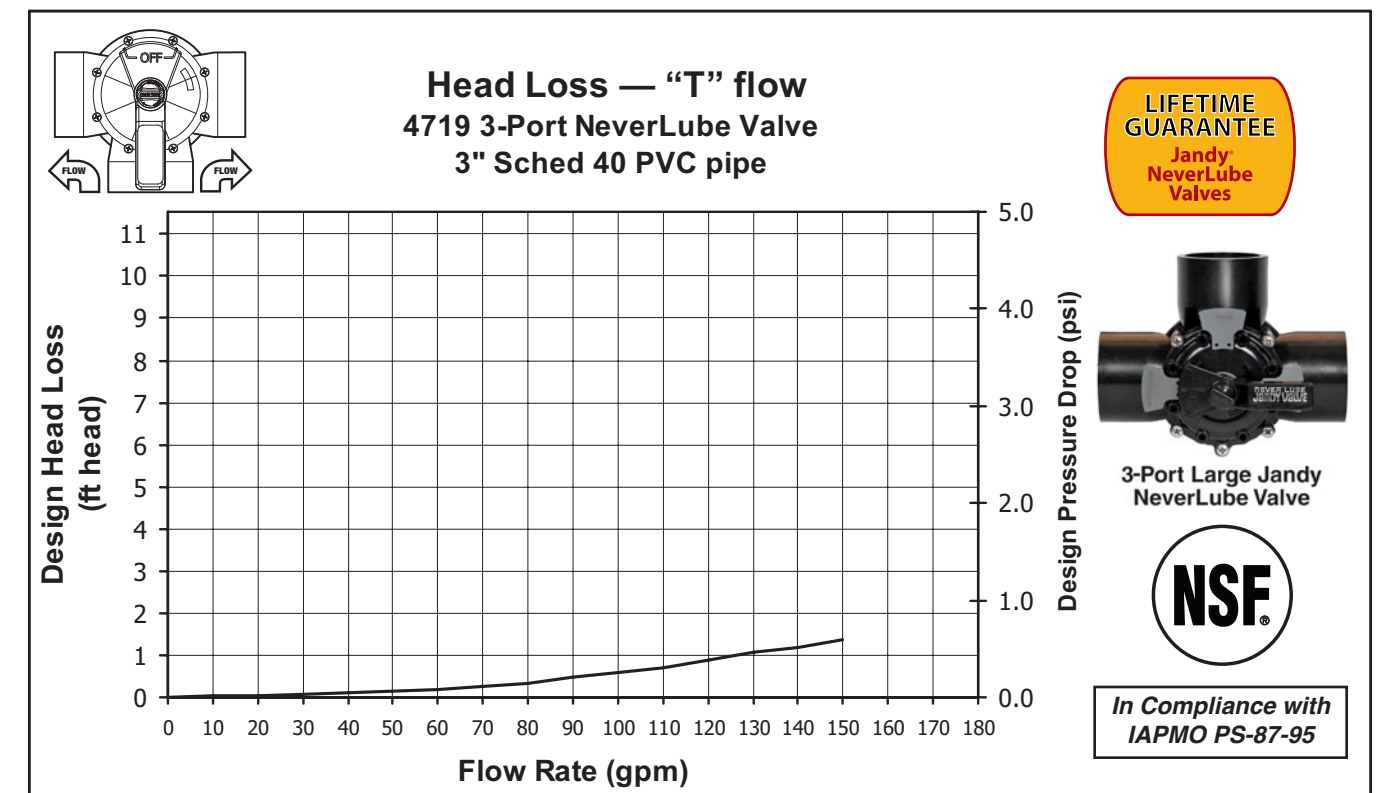
4719: 2½"–3" 3-Port Large NeverLube® Valve (3" "T" Flow)

Materials Used:

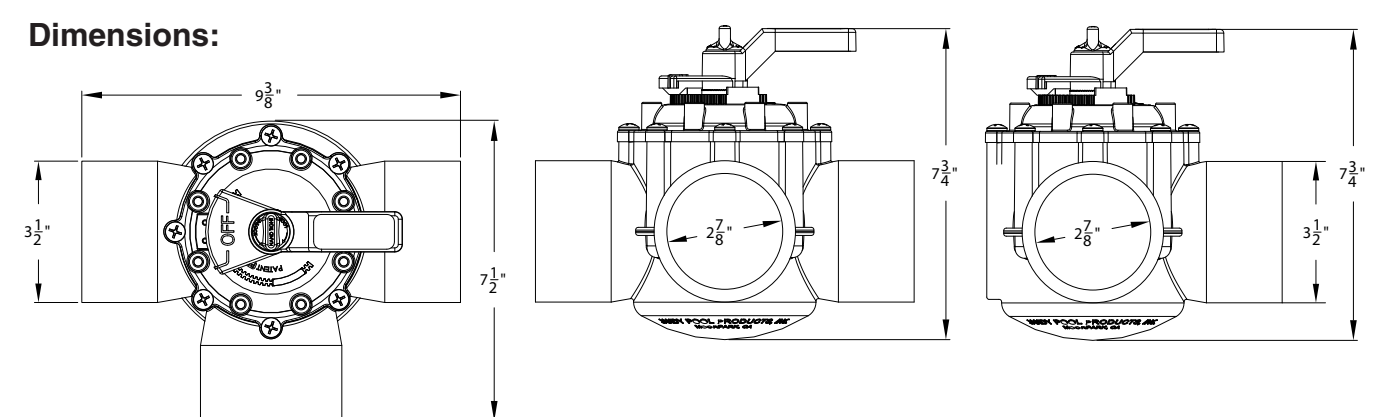
Valve Cover Screws: Stainless Steel
Valve Knob: ABS Plastic w/ UVI
Valve Handle: ABS Plastic w/ UVI
Valve Cover: PPE/PS Plastic, Glass Reinforced
Valve Body: CPVC Plastic
Valve Diverter: PPE/PS Plastic, Glass Reinforced
Diverter Seal: NeverLube Seal Material
Large O-ring: EPDM
Small O-ring: Silicone Lubricated Elastomer

Technical Specifications:

Max. Working Pressure: 50 psi
Chlorine Resistant
Acid Resistant
Ozone Resistant



Dimensions:



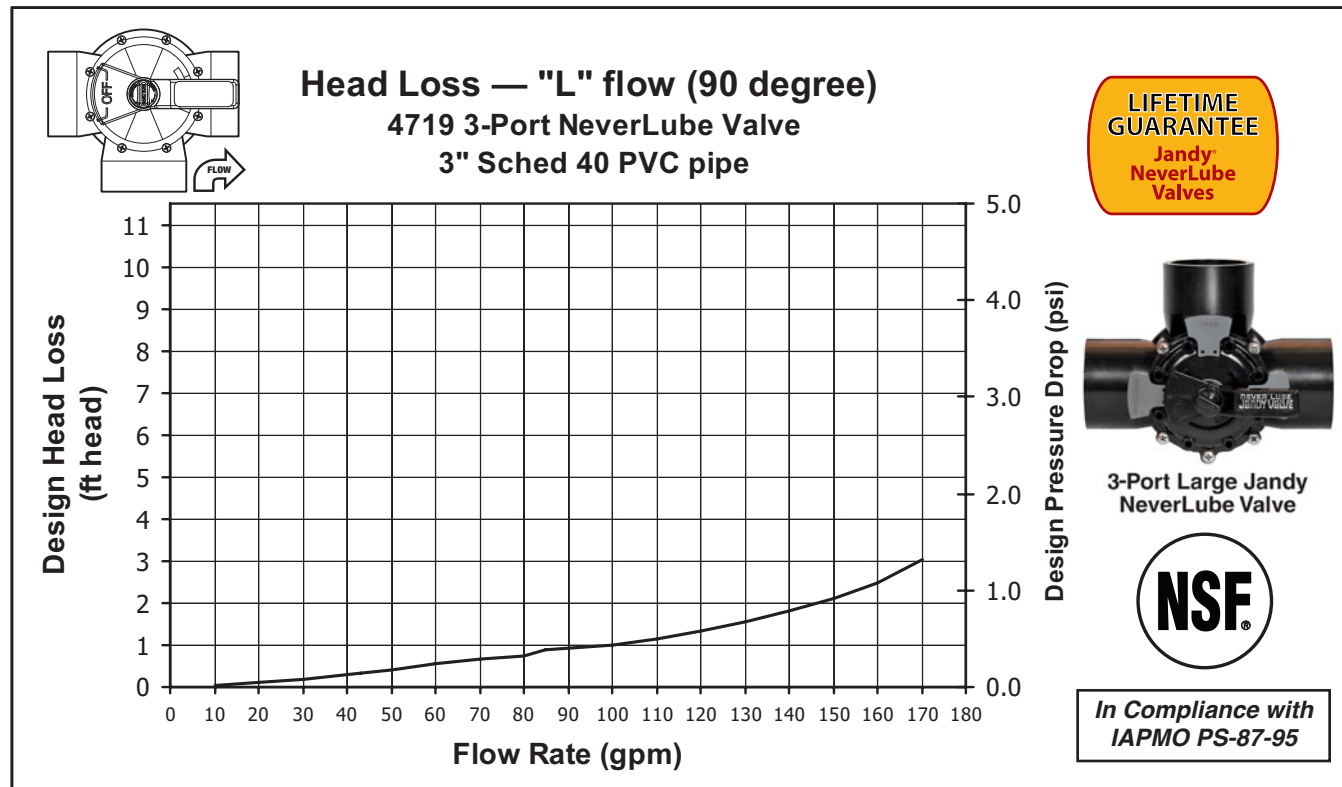
4719: 2½"-3" 3-Port Large NeverLube® Valve (3" 90° Flow)

Materials Used:

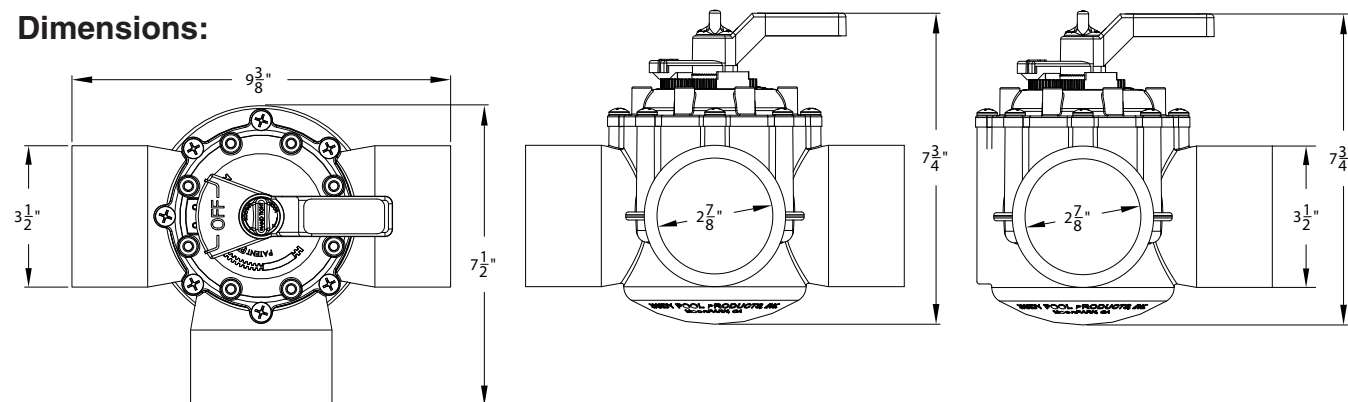
| | |
|----------------------------|----------------------------------|
| Valve Cover Screws: | Stainless Steel |
| Valve Knob: | ABS Plastic w/ UVI |
| Valve Handle: | ABS Plastic w/ UVI |
| Valve Cover: | PPE/PS Plastic, Glass Reinforced |
| Valve Body: | CPVC Plastic |
| Valve Diverter: | PPE/PS Plastic, Glass Reinforced |
| Diverter Seal: | NeverLube Seal Material |
| Large O-ring: | EPDM |
| Small O-ring: | Silicone Lubricated Elastomer |

Technical Specifications:

| | |
|-------------------------------|--------|
| Max. Working Pressure: | 50 psi |
| Chlorine Resistant | |
| Acid Resistant | |
| Ozone Resistant | |



Dimensions:



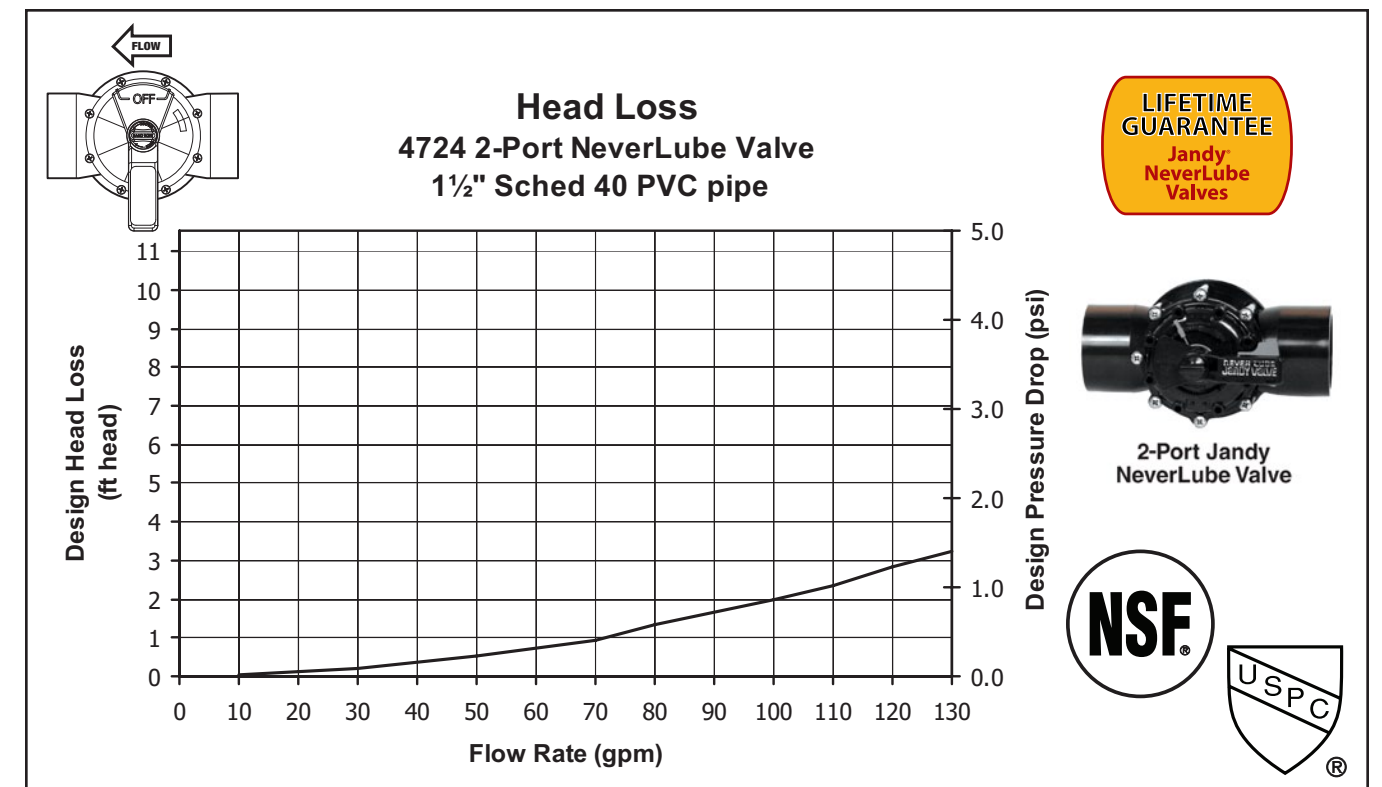
4724: 1½"-2" 2-Port NeverLube® Valve (1½" Flow)

Materials Used:

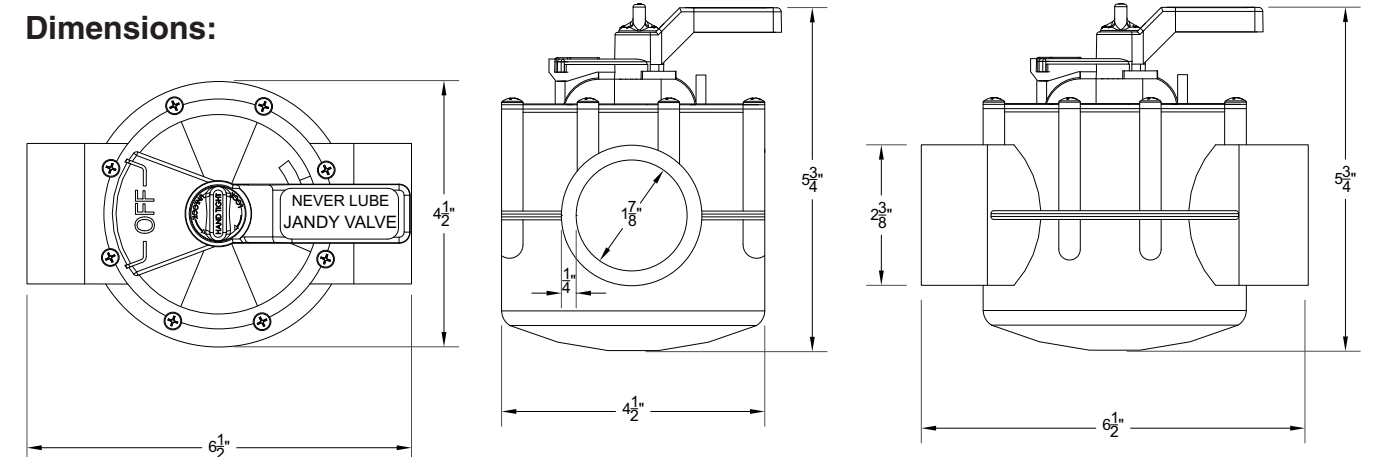
| | |
|----------------------------|----------------------------------|
| Valve Cover Screws: | Stainless Steel |
| Valve Knob: | ABS Plastic w/ UVI |
| Valve Handle: | ABS Plastic w/ UVI |
| Valve Cover: | CPVC Plastic |
| Valve Body: | CPVC Plastic |
| Valve Diverter: | PPE/PS Plastic, Glass Reinforced |
| Diverter Seal: | NeverLube Seal Material |
| Large O-ring: | Silicone Lubricated Elastomer |
| Small O-ring: | Silicone Lubricated Elastomer |

Technical Specifications:

| | |
|-------------------------------|--------|
| Max. Working Pressure: | 50 psi |
| Chlorine Resistant | |
| Acid Resistant | |
| Ozone Resistant | |



Dimensions:



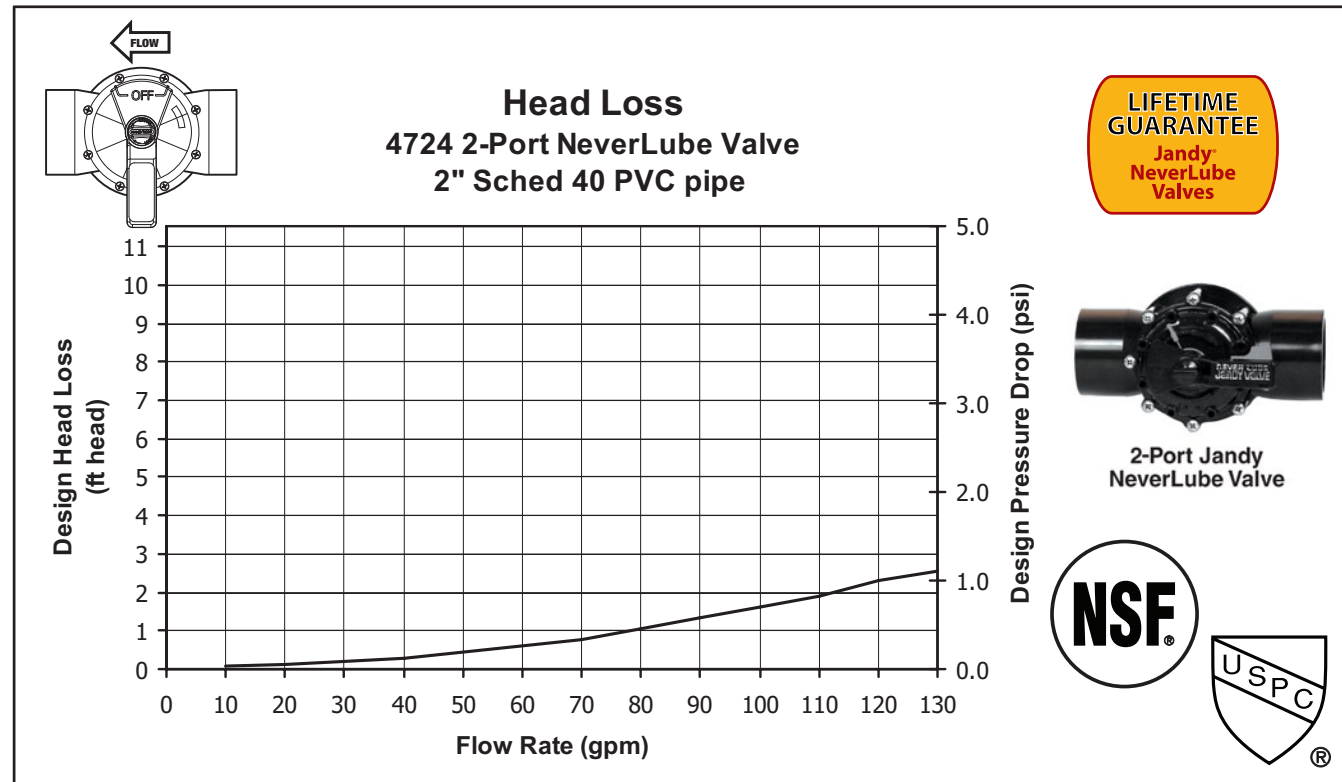
4724: 1½" –2" 2-Port NeverLube® Valve (2" Flow)

Materials Used:

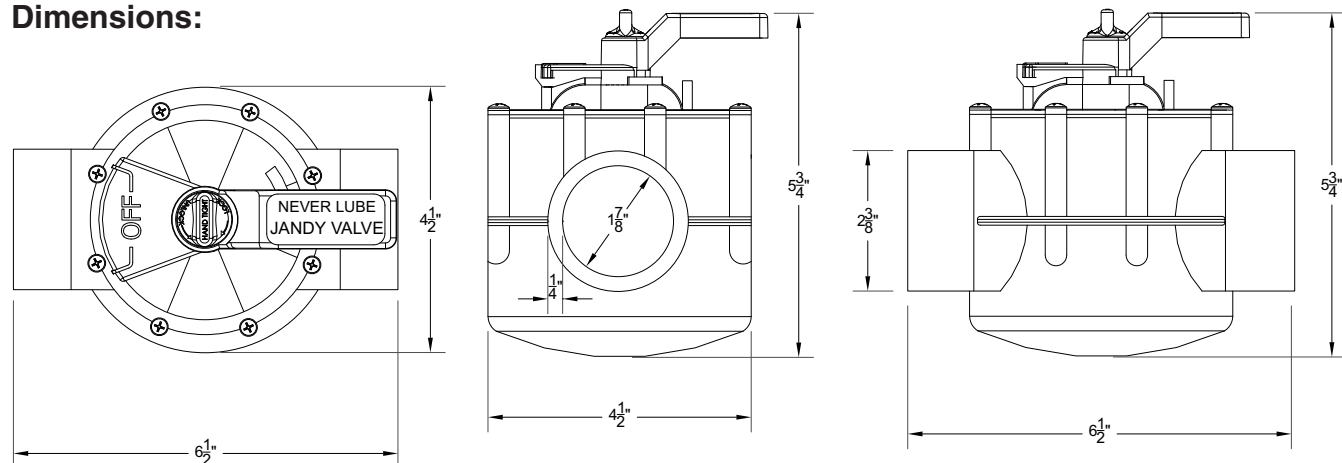
| | |
|----------------------------|----------------------------------|
| Valve Cover Screws: | Stainless Steel |
| Valve Knob: | ABS Plastic w/ UVI |
| Valve Handle: | ABS Plastic w/ UVI |
| Valve Cover: | CPVC Plastic |
| Valve Body: | CPVC Plastic |
| Valve Diverter: | PPE/PS Plastic, Glass Reinforced |
| Diverter Seal: | NeverLube Seal Material |
| Large O-ring: | Silicone Lubricated Elastomer |
| Small O-ring: | Silicone Lubricated Elastomer |

Technical Specifications:

| | |
|-------------------------------|--------|
| Max. Working Pressure: | 50 psi |
| Chlorine Resistant | |
| Acid Resistant | |
| Ozone Resistant | |



Dimensions:



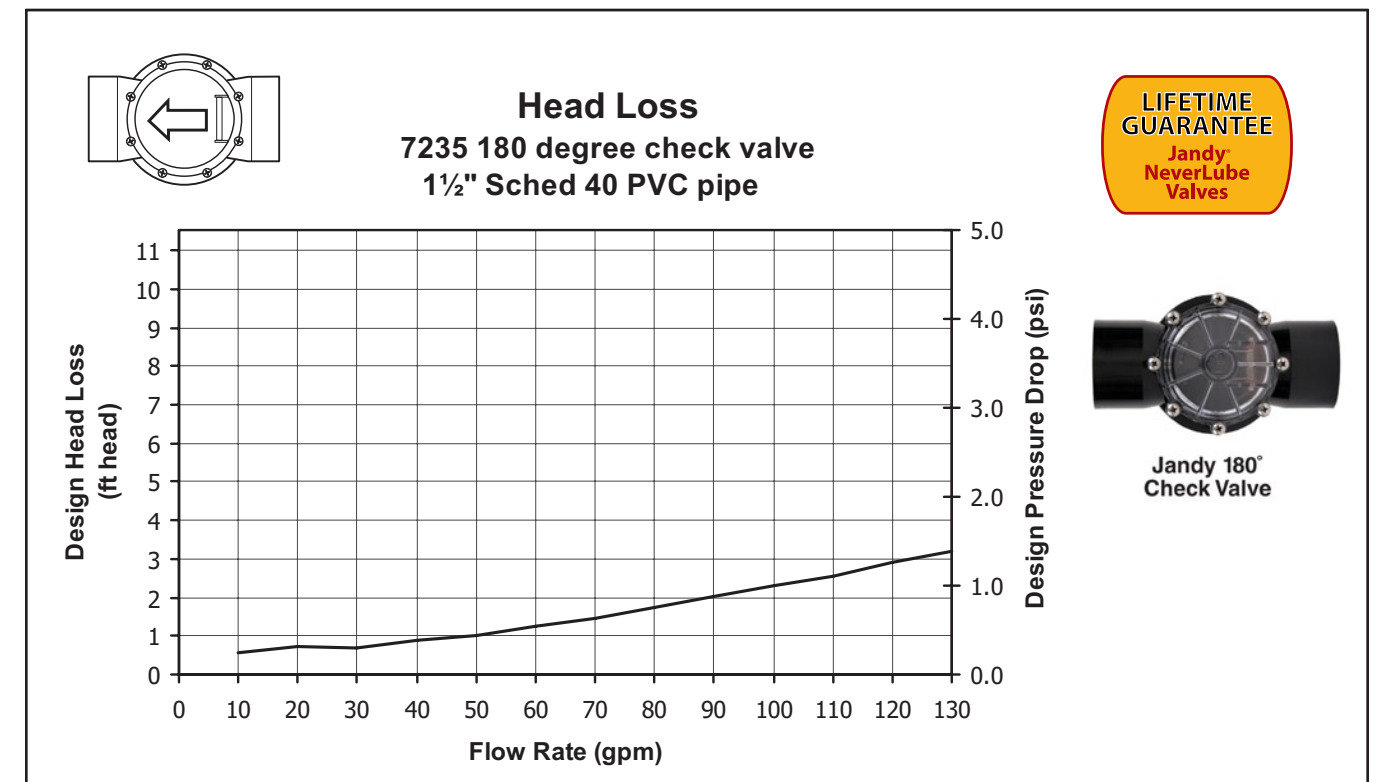
7235: 1½" –2" 180° NeverLube® Check Valve (1½" Flow)

Materials Used:

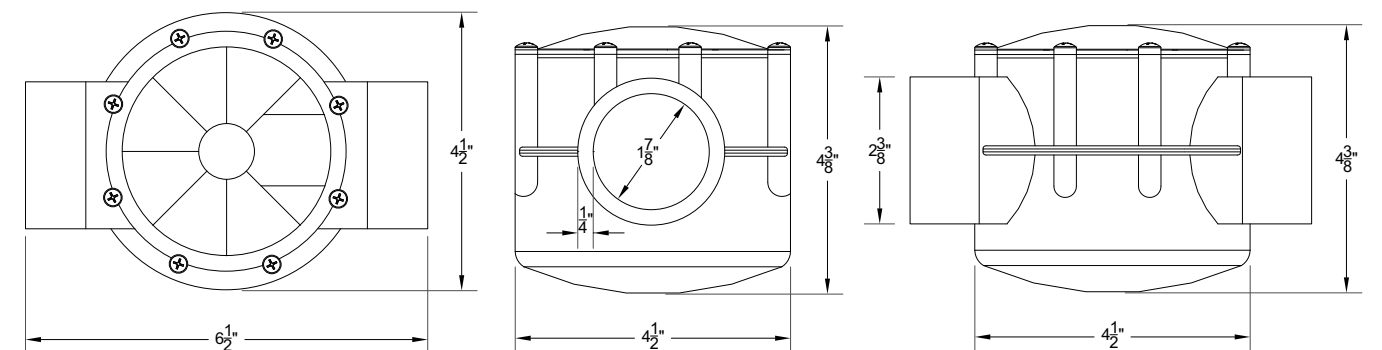
| | |
|----------------------------|--------------------------------------|
| Valve Cover Screws: | Stainless Steel |
| Valve Cover: | High Temp UV Resistant Polycarbonate |
| Valve Body: | CPVC Plastic |
| Check: | PPE/PS Plastic, Glass Reinforced |
| Check Seal: | 100% Silicone Rubber |
| Large O-ring: | Silicone Lubricated Elastomer |
| Pin & Spring: | Stainless Steel |

Technical Specifications:

| | |
|-------------------------------|--------|
| Max. Working Pressure: | 50 psi |
| Chlorine Resistant | |
| Acid Resistant | |
| Ozone Resistant | |



Dimensions:



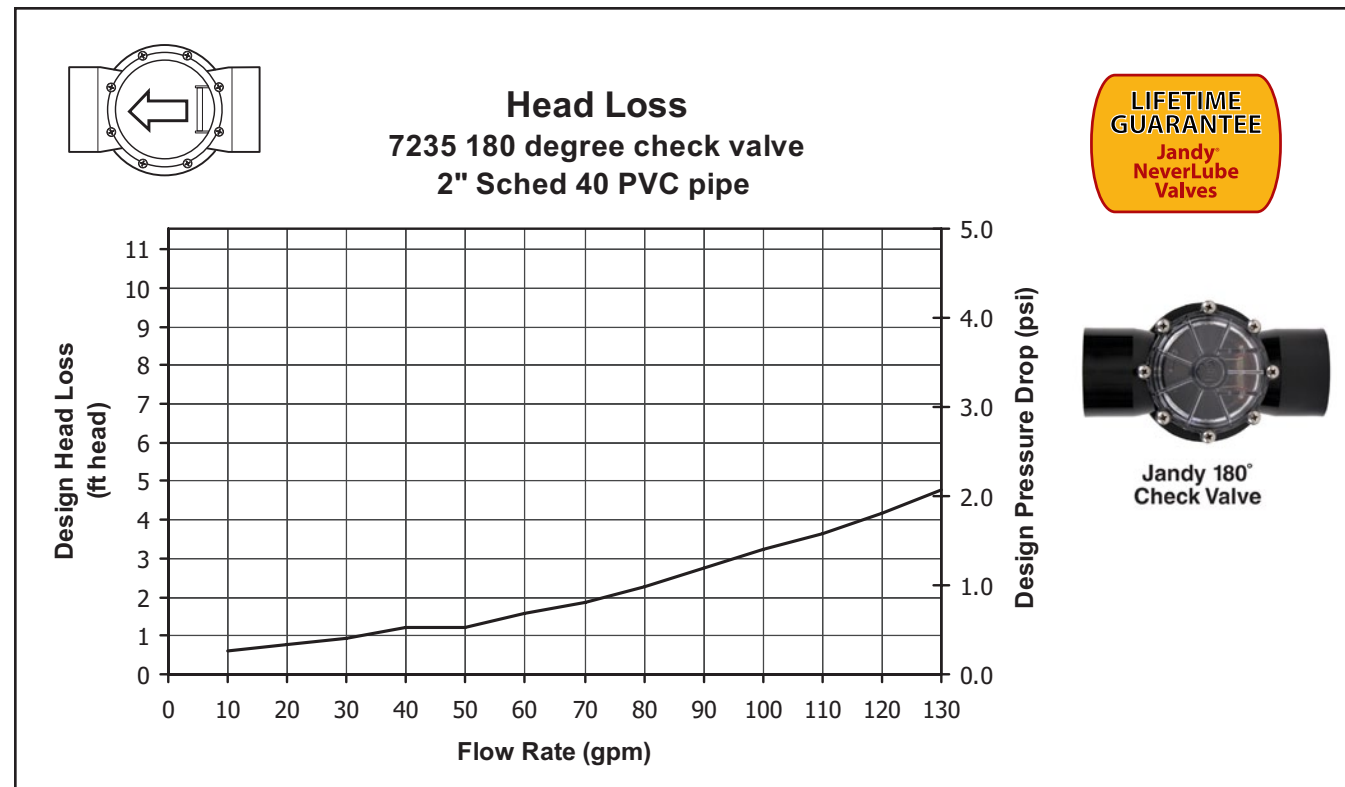
7235: 1½"–2" 180° NeverLube® Check Valve (2" Flow)

Materials Used:

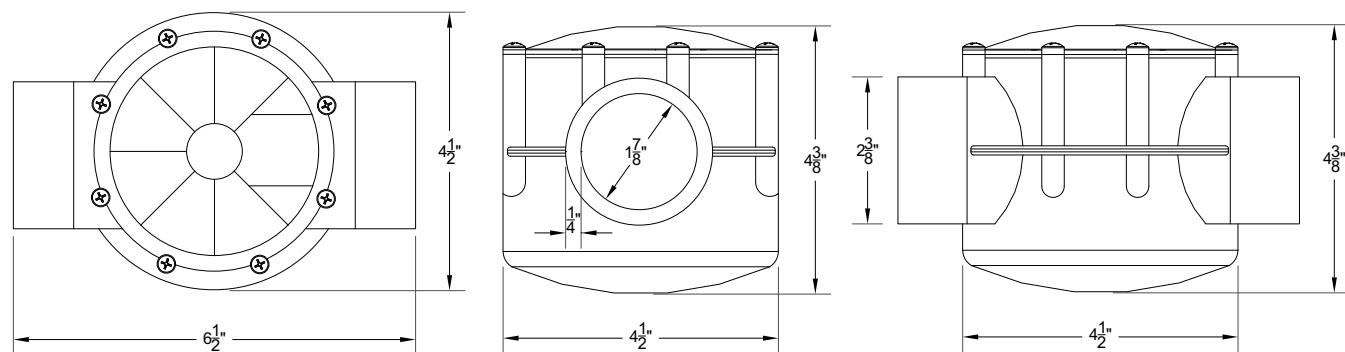
Valve Cover Screws: Stainless Steel
Valve Cover: High Temp UV Resistant Polycarbonate
Valve Body: CPVC Plastic
Check: PPE/PS Plastic, Glass Reinforced
Check Seal: 100% Silicone Rubber
Large O-ring: Silicone Lubricated Elastomer
Pin & Spring: Stainless Steel

Technical Specifications:

Max. Working Pressure: 50 psi
Chlorine Resistant
Acid Resistant
Ozone Resistant



Dimensions:



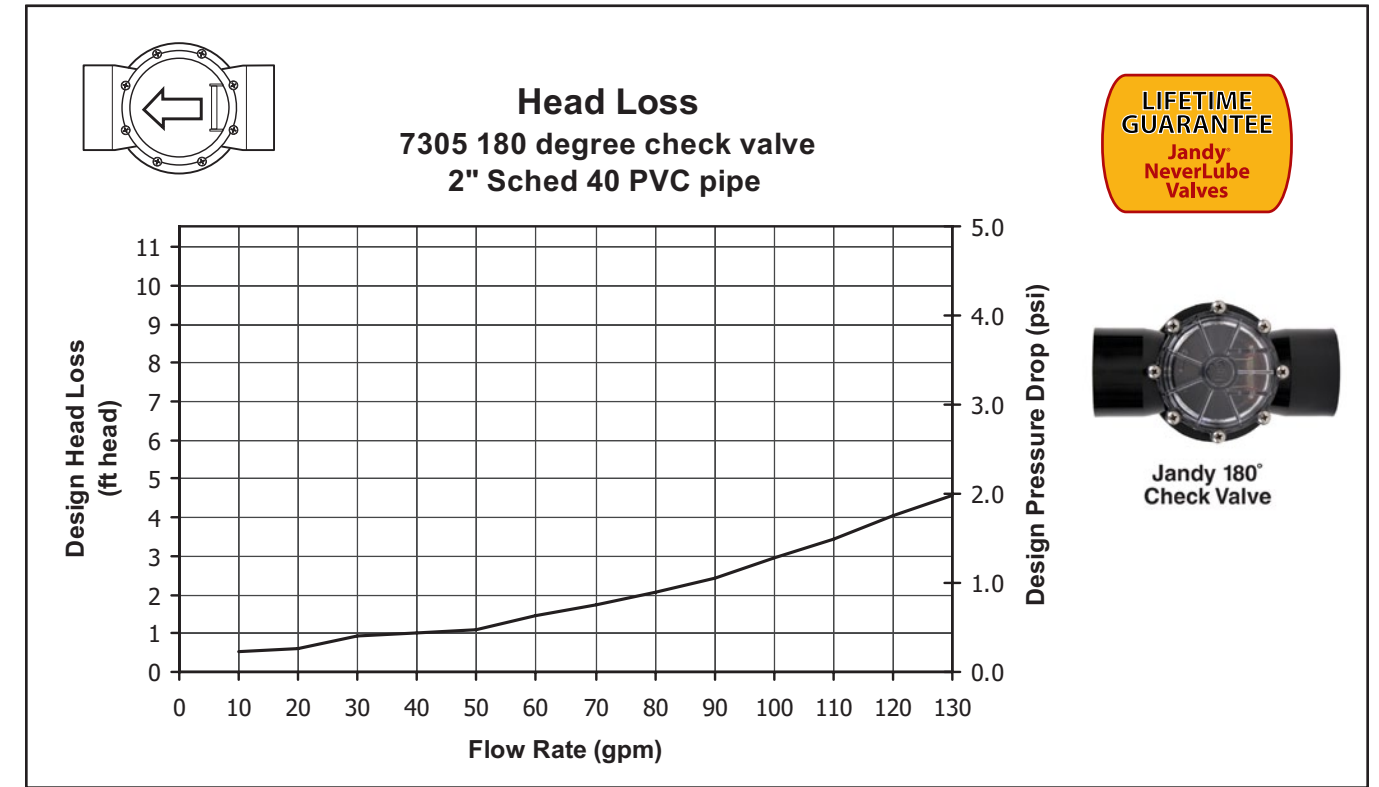
7305: 2"–2½" 180° NeverLube® Check Valve (2" Flow)

Materials Used:

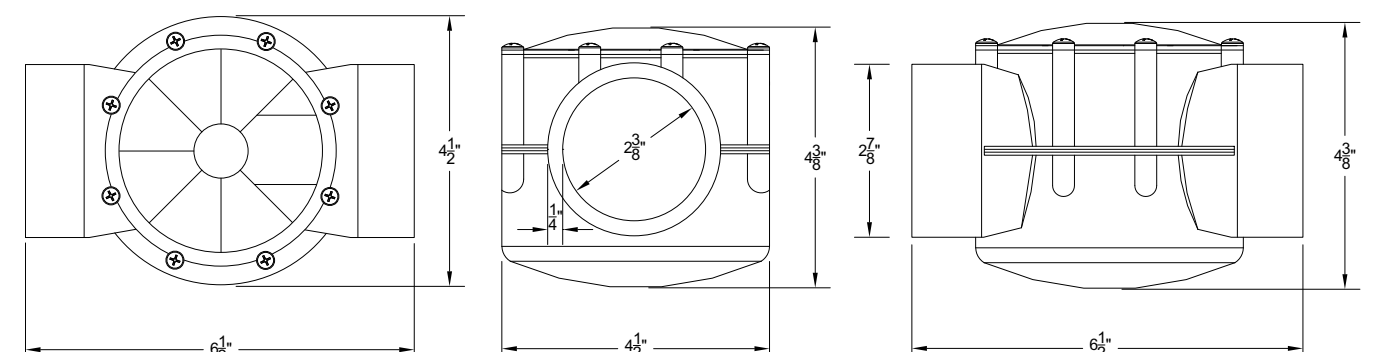
Valve Cover Screws: Stainless Steel
Valve Cover: High Temp UV Resistant Polycarbonate
Valve Body: CPVC Plastic
Check: PPE/PS Plastic, Glass Reinforced
Check Seal: 100% Silicone Rubber
Large O-ring: Silicone Lubricated Elastomer
Pin & Spring: Stainless Steel

Technical Specifications:

Max. Working Pressure: 50 psi
Chlorine Resistant
Acid Resistant
Ozone Resistant



Dimensions:



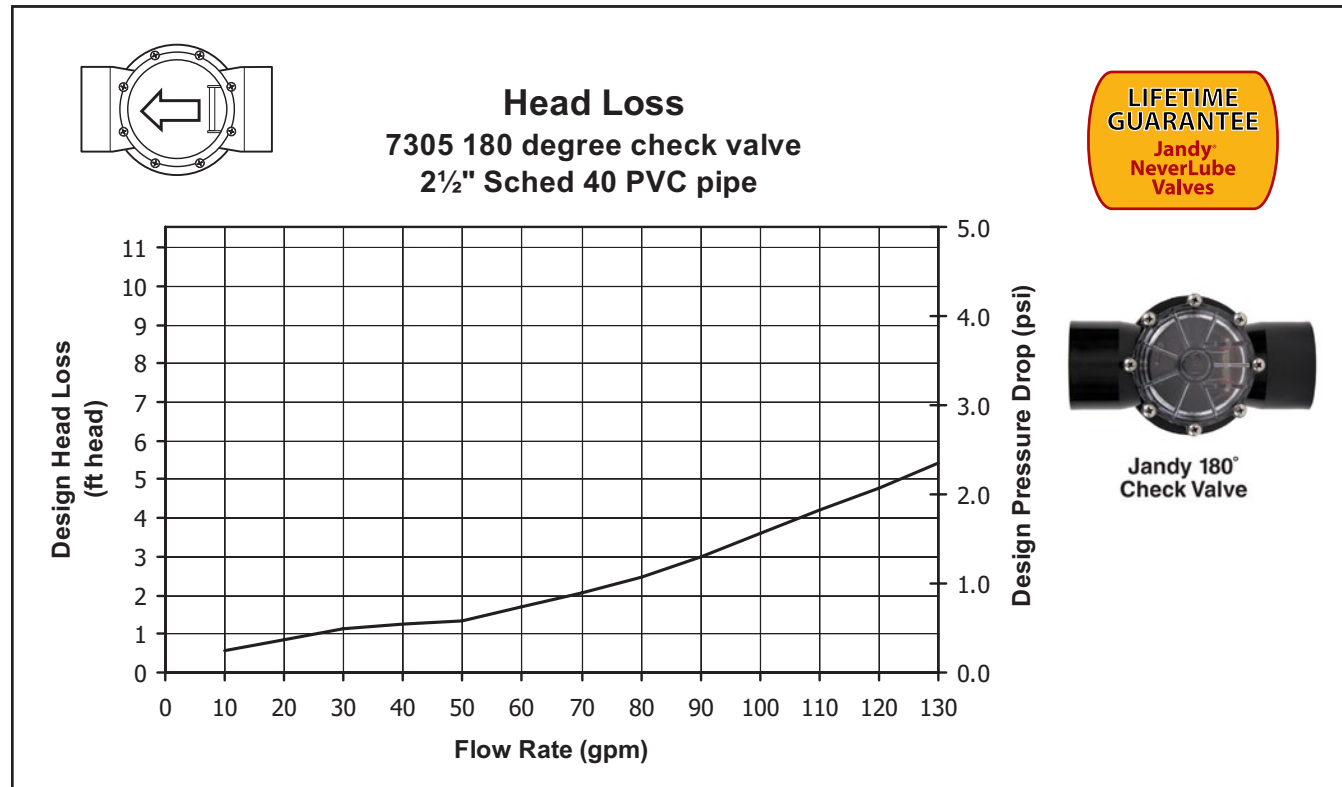
7305: 2"-2½" 180° NeverLube® Check Valve (2½" Flow)

Materials Used:

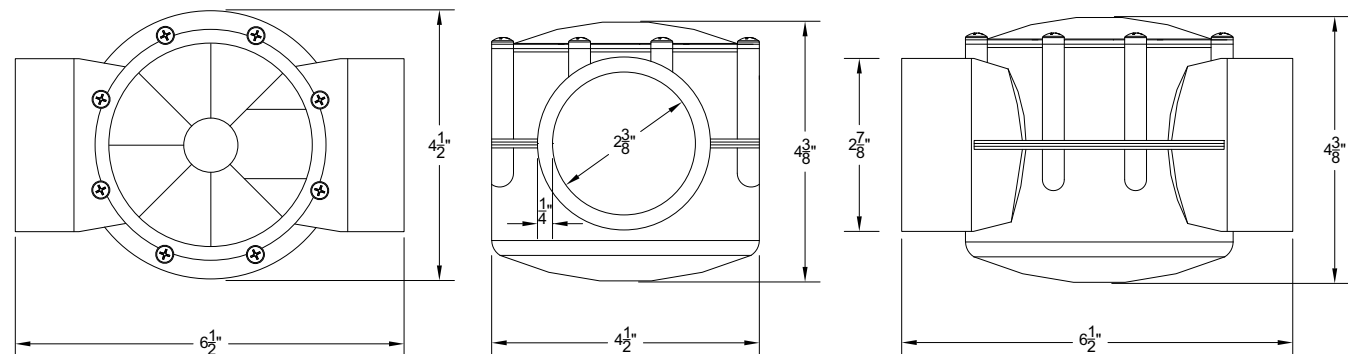
Valve Cover Screws: Stainless Steel
Valve Cover: High Temp UV Resistant Polycarbonate
Valve Body: CPVC Plastic
Check: PPE/PS Plastic, Glass Reinforced
Check Seal: 100% Silicone Rubber
Large O-ring: Silicone Lubricated Elastomer
Pin & Spring: Stainless Steel

Technical Specifications:

Max. Working Pressure: 50 psi
Chlorine Resistant
Acid Resistant
Ozone Resistant



Dimensions:



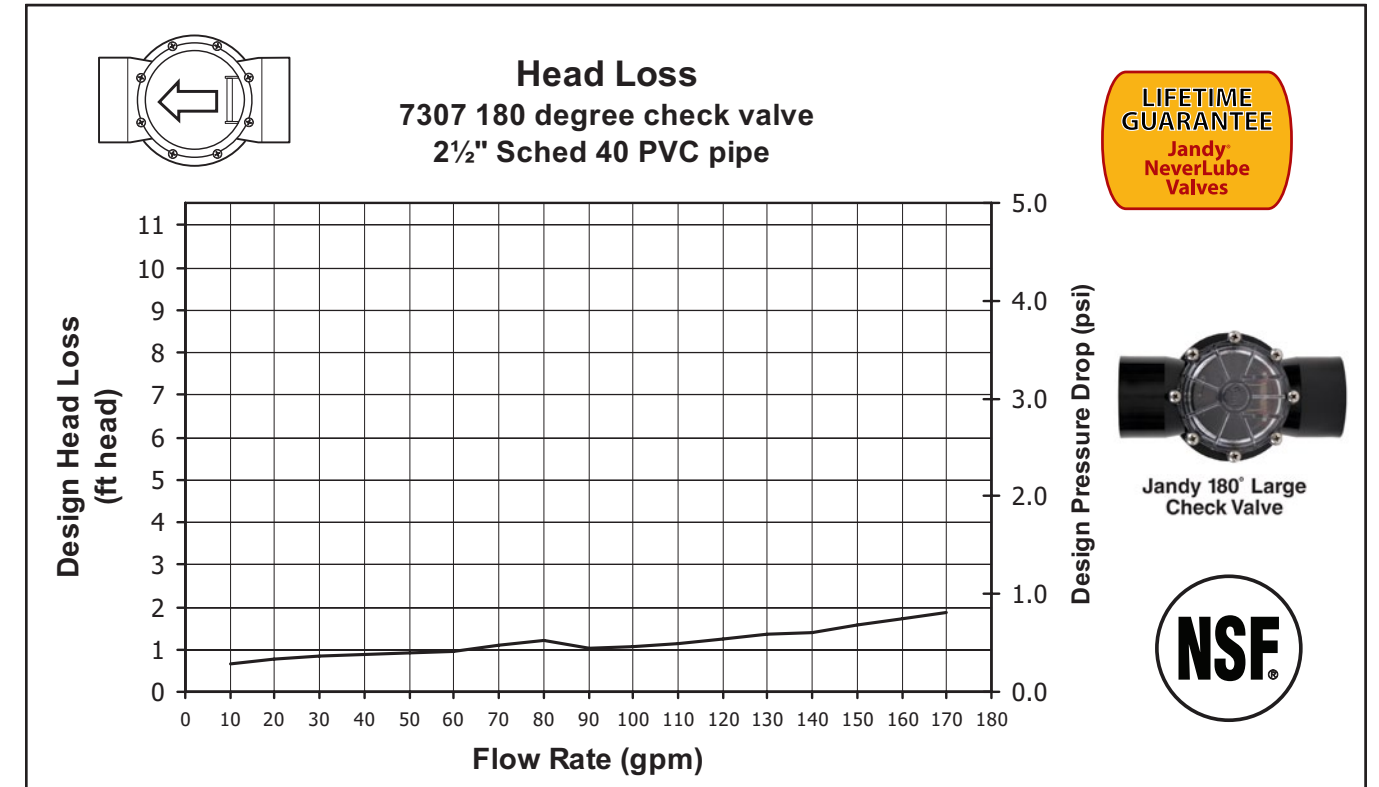
7307: 2½"-3" 180° NeverLube® Large Check Valve (2½" Flow)

Materials Used:

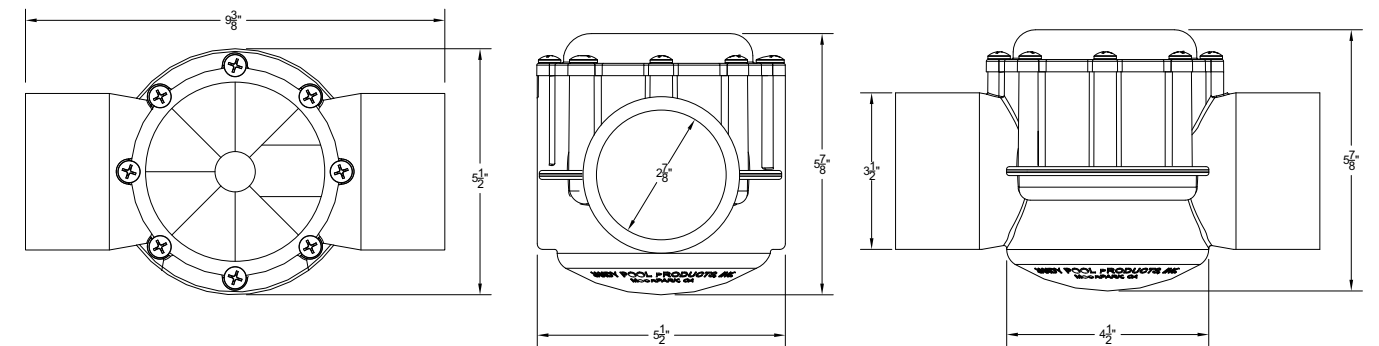
Valve Cover Screws: Stainless Steel
Valve Cover: High Temp UV Resistant Polycarbonate
Valve Body: CPVC Plastic
Check: PPE/PS Plastic, Glass Reinforced
Check Seal: 100% Silicone Rubber
Large O-ring: Silicone Lubricated Elastomer
Pin & Spring: Stainless Steel

Technical Specifications:

Max. Working Pressure: 50 psi
Chlorine Resistant
Acid Resistant
Ozone Resistant



Dimensions:



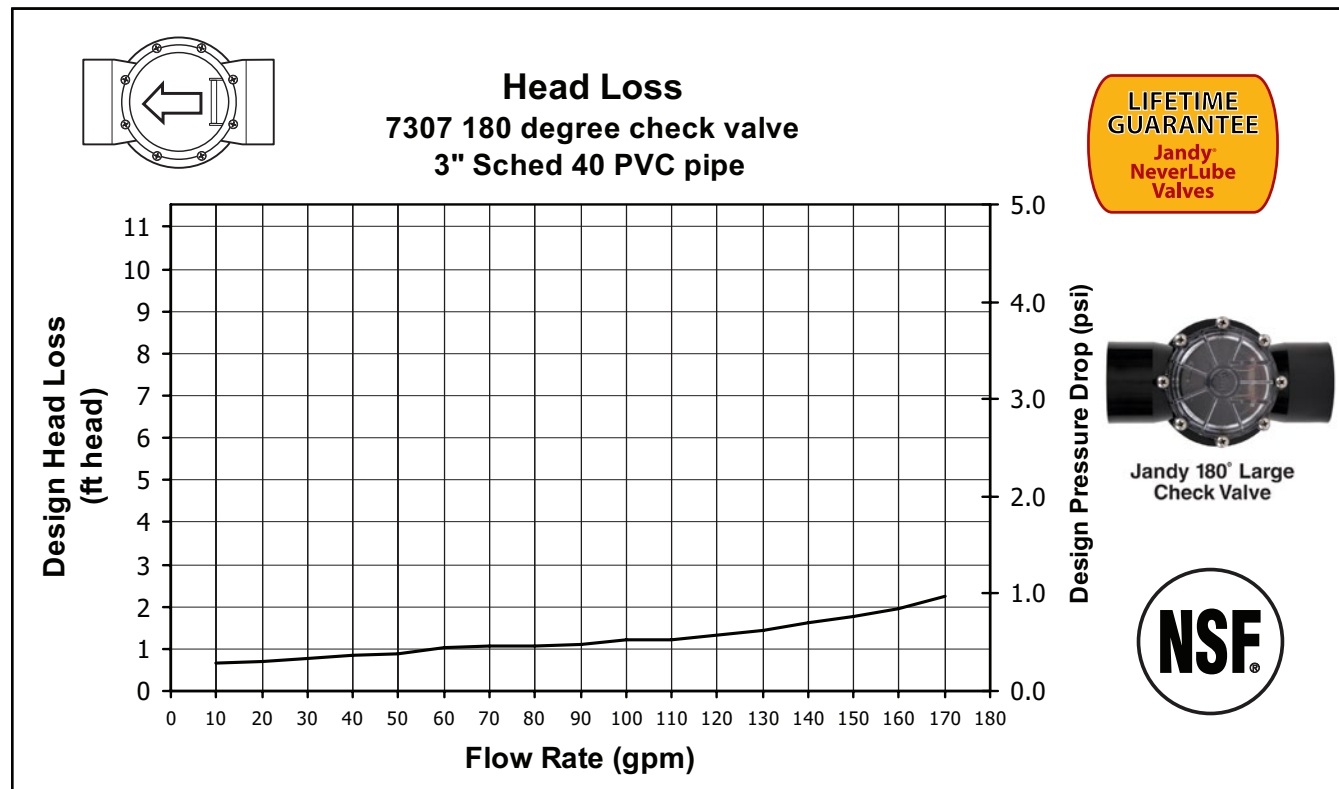
7307: 2½"–3" 180° NeverLube® Large Check Valve (3" Flow)

Materials Used:

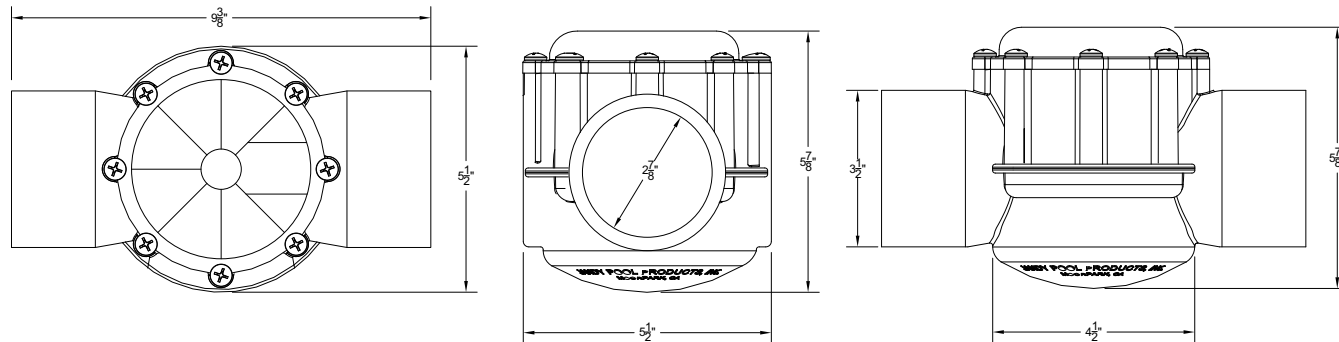
Valve Cover Screws: Stainless Steel
Valve Cover: High Temp UV Resistant Polycarbonate
Valve Body: CPVC Plastic
Check: PPE/PS Plastic, Glass Reinforced
Check Seal: 100% Silicone Rubber
Large O-ring: Silicone Lubricated Elastomer
Pin & Spring: Stainless Steel

Technical Specifications:

Max. Working Pressure: 50 psi
Chlorine Resistant
Acid Resistant
Ozone Resistant



Dimensions:



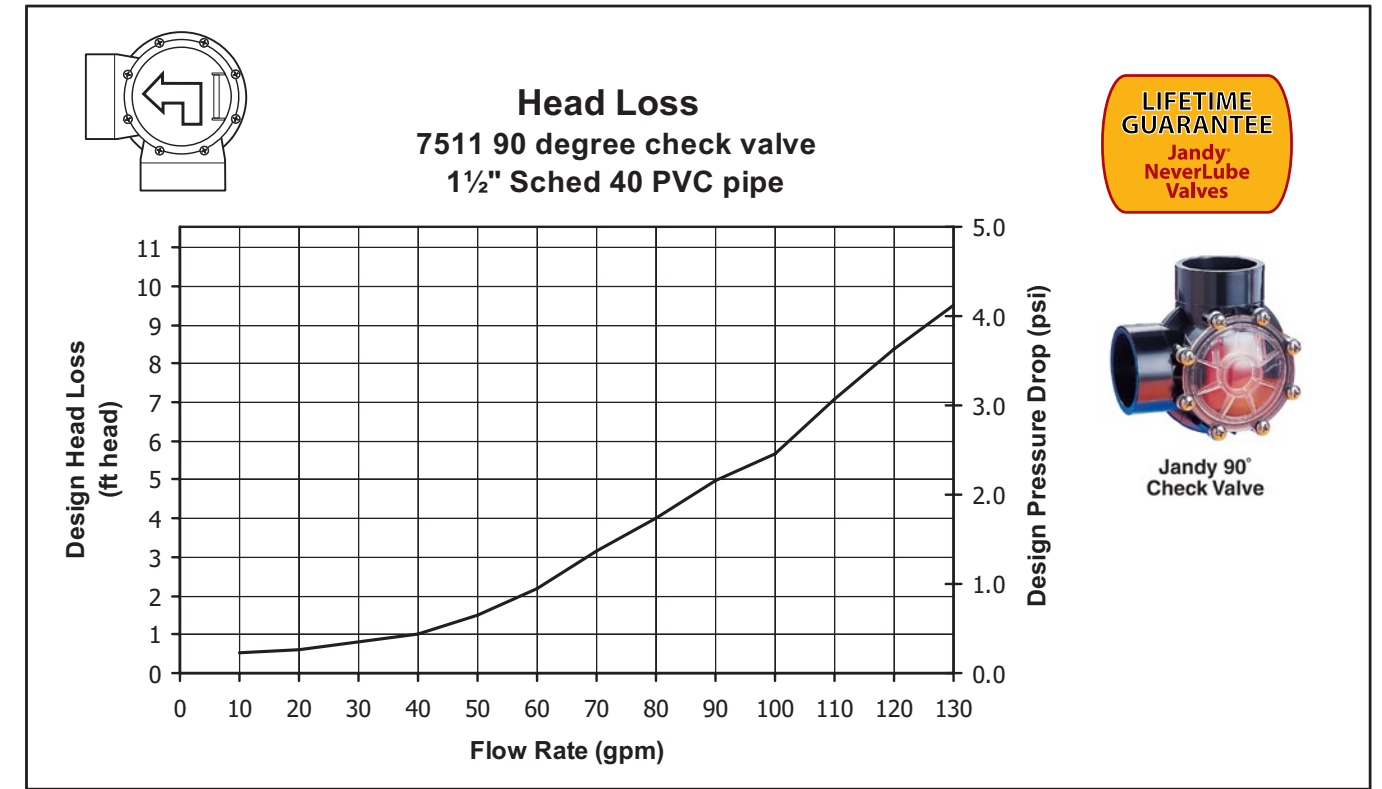
7511: 1½"–2" 90° NeverLube® Check Valve (1½" Flow)

Materials Used:

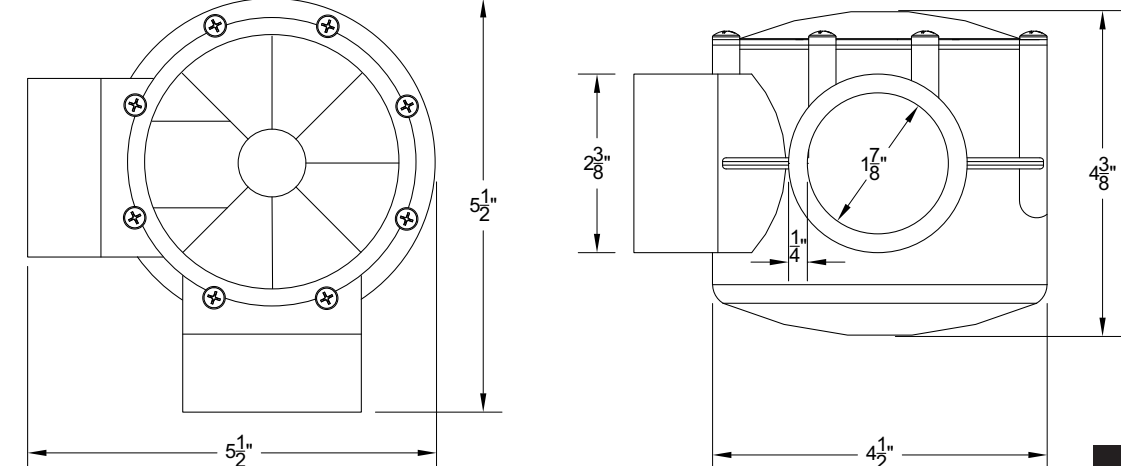
Valve Cover Screws: Stainless Steel
Valve Cover: High Temp UV Resistant Polycarbonate
Valve Body: CPVC Plastic
Check: PPE/PS Plastic, Glass Reinforced
Check Seal: 100% Silicone Rubber
Large O-ring: Silicone Lubricated Elastomer
Pin & Spring: Stainless Steel

Technical Specifications:

Max. Working Pressure: 50 psi
Chlorine Resistant
Ozone Resistant



Dimensions:



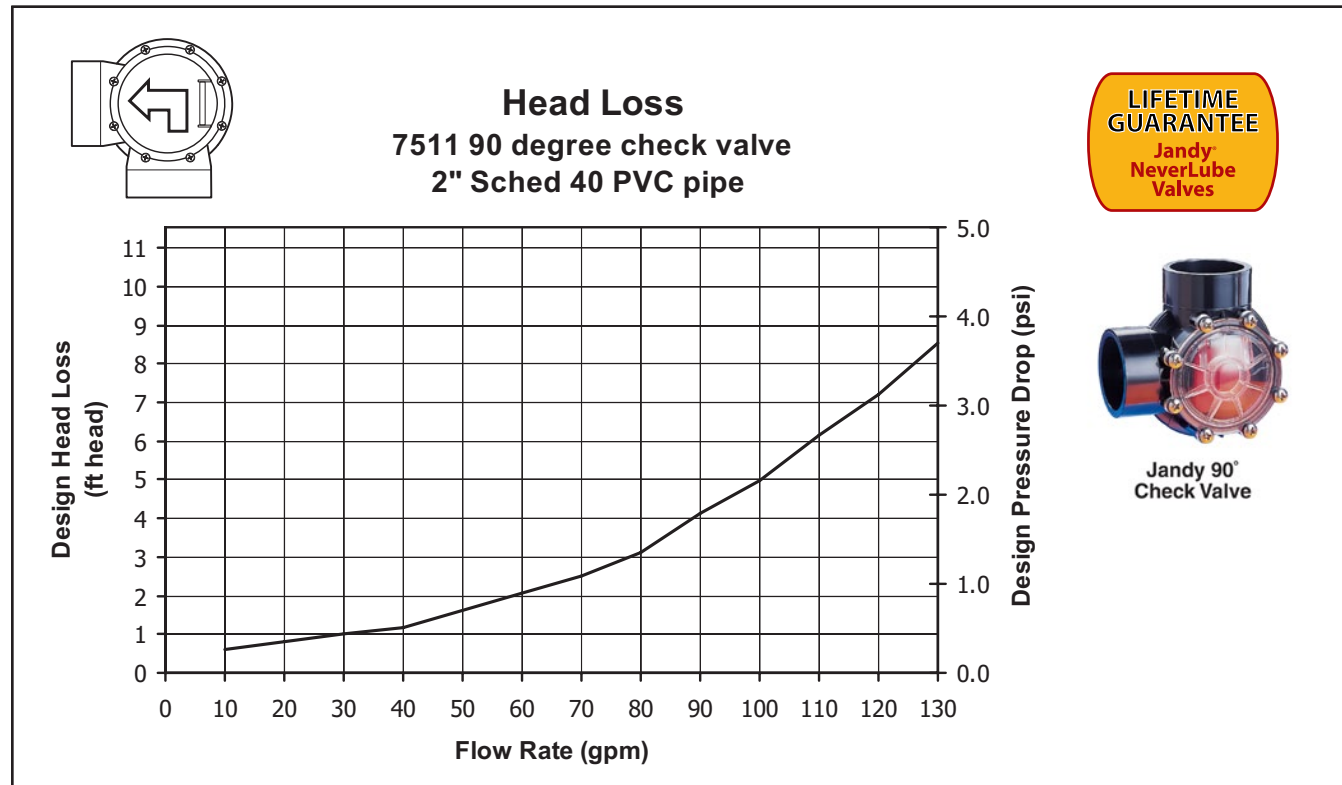
7511: 1½"–2" 90° NeverLube® Check Valve (2" Flow)

Materials Used:

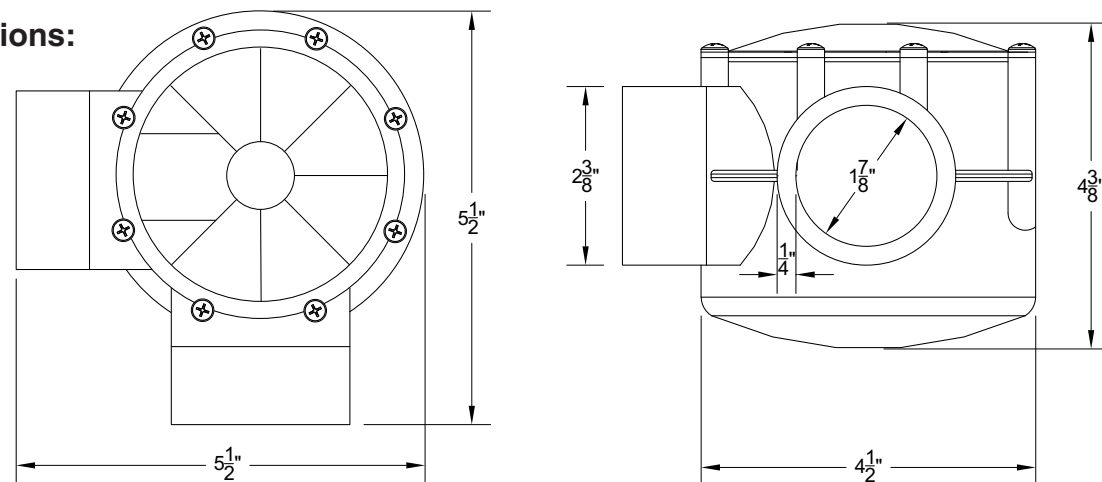
Valve Cover Screws: Stainless Steel
Valve Cover: High Temp UV Resistant Polycarbonate
Valve Body: CPVC Plastic
Check: PPE/PS Plastic, Glass Reinforced
Check Seal: 100% Silicone Rubber
Large O-ring: Silicone Lubricated Elastomer
Pin & Spring: Stainless Steel

Technical Specifications:

Max. Working Pressure: 50 psi
Chlorine Resistant
Acid Resistant
Ozone Resistant



Dimensions:



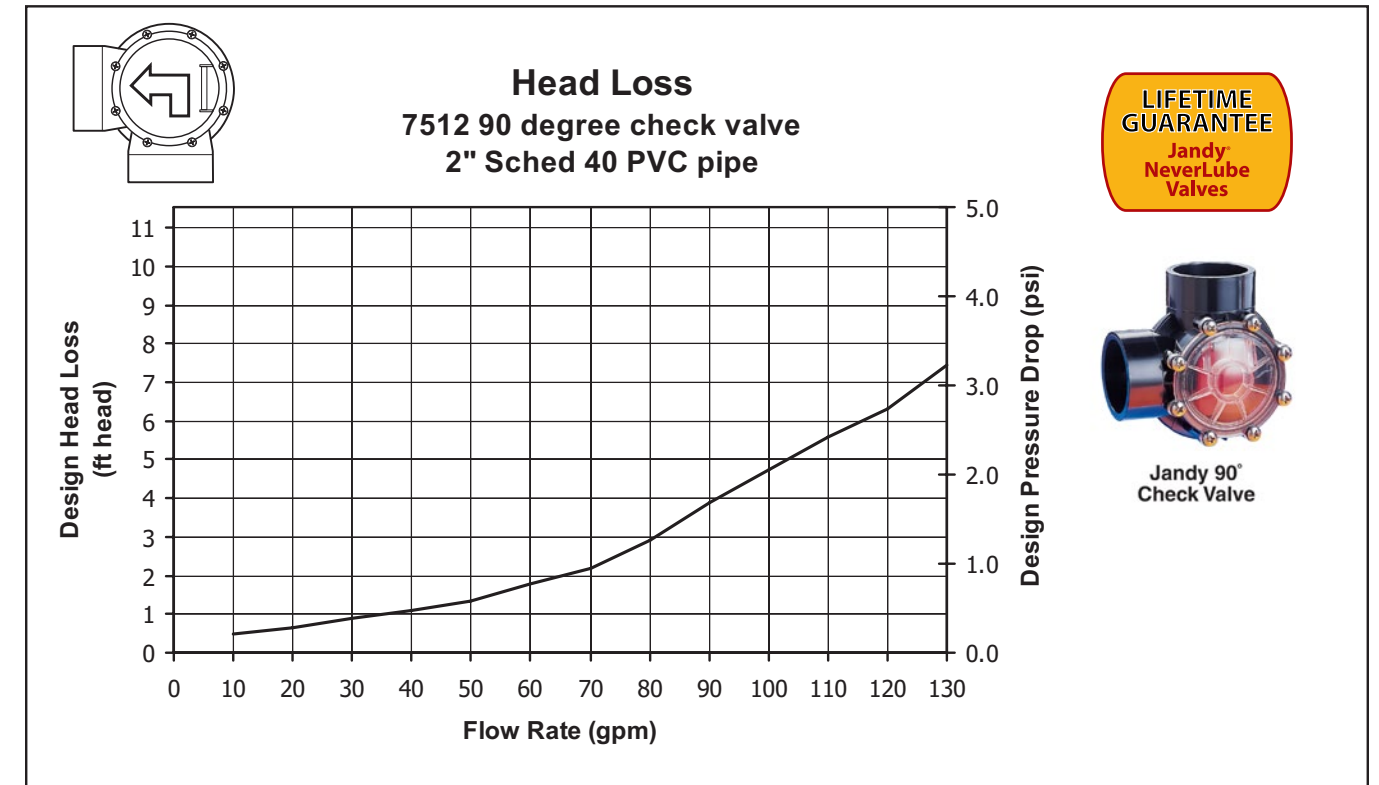
7512: 2"–2½" 90° NeverLube® Check Valve (2" Flow)

Materials Used:

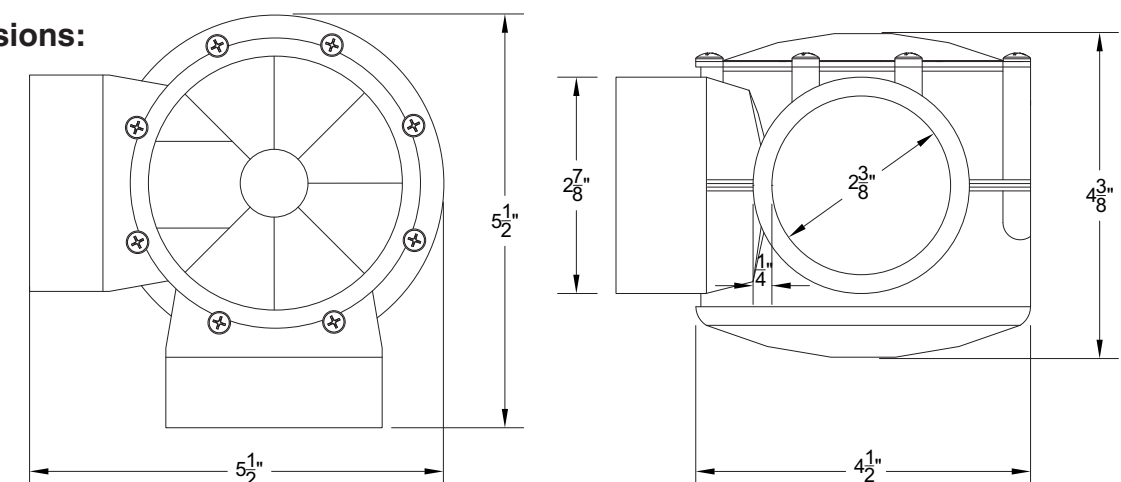
Valve Cover Screws: Stainless Steel
Valve Cover: High Temp UV Resistant Polycarbonate
Valve Body: CPVC Plastic
Check: PPE/PS Plastic, Glass Reinforced
Check Seal: 100% Silicone Rubber
Large O-ring: Silicone Lubricated Elastomer
Pin & Spring: Stainless Steel

Technical Specifications:

Max. Working Pressure: 50 psi
Chlorine Resistant
Acid Resistant
Ozone Resistant



Dimensions:



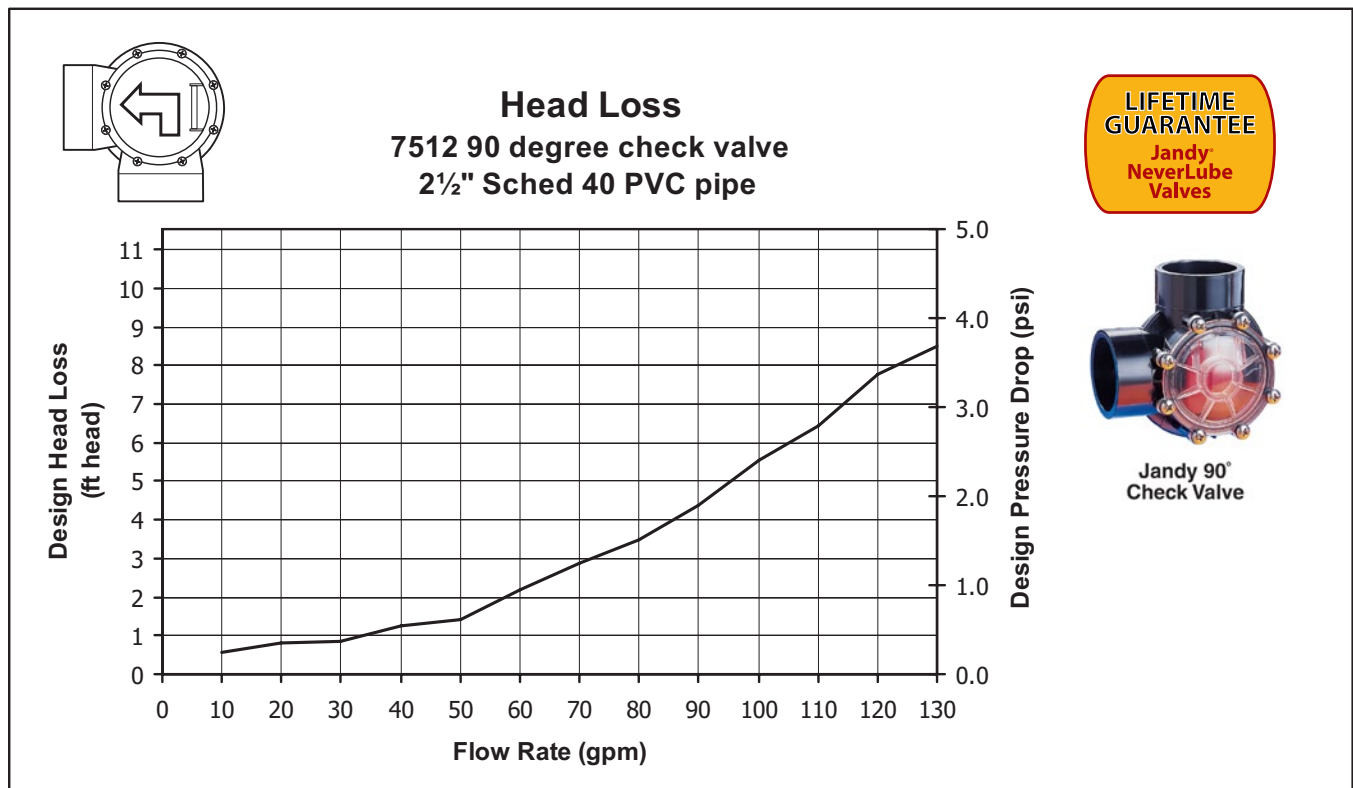
7512: 2"-2½" 90° NeverLube® Check Valve (2½" Flow)

Materials Used:

Valve Cover Screws: Stainless Steel
Valve Cover: High Temp UV Resistant Polycarbonate
Valve Body: CPVC Plastic
Check: PPE/PS Plastic, Glass Reinforced
Check Seal: 100% Silicone Rubber
Large O-ring: Silicone Lubricated Elastomer
Pin & Spring: Stainless Steel

Technical Specifications:

Max. Working Pressure: 50 psi
Chlorine Resistant
Acid Resistant
Ozone Resistant



Dimensions:

