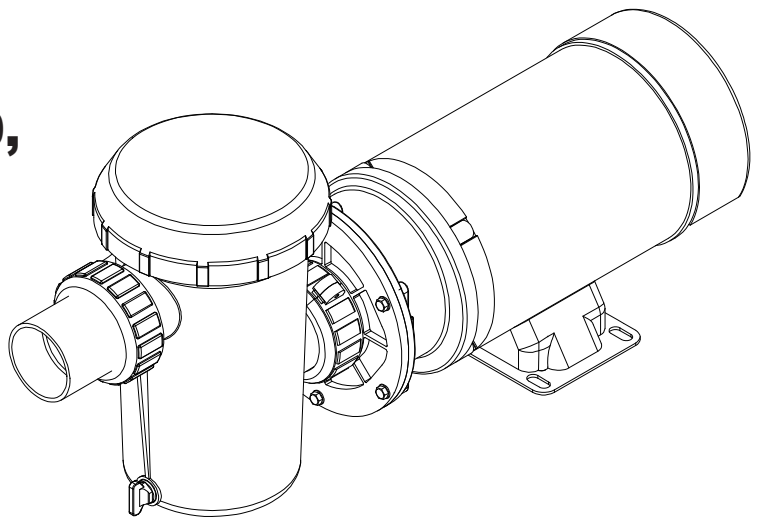


INSTALLATION AND OPERATION MANUAL

SWIMMING POOL PUMP

Models

**RPAGP75, RPAGP100,
RPAGP102, RPAGP150,
RPAGP152**



**IMPORTANT SAFETY INSTRUCTIONS.
READ AND FOLLOW ALL INSTRUCTION.
SAVE THESE INSTRUCTIONS.**

NOTE: The instructions in this manual are for the use of qualified individuals specially trained and experienced in the installation and maintenance of this type of equipment and related system components. Installation and service personnel are required by some states to be licensed. Persons not qualified shall not attempt to install, service, or maintain this equipment.

This manual should be maintained in legible condition and kept adjacent to the sand filter or in a safe place for future use.

Raypak[®]
A Rheem[®] Company

Effective: 09-15-20
Replaces: 04-01-20
P/N 241831 Rev 5

CONTENTS

| | | | |
|---|----------|--|-----------|
| 1. WARNINGS | 3 | 5. START-UP | 8 |
| Pay Attention to these Terms | 3 | 6. GENERAL MAINTENANCE | 8 |
| 2. IMPORTANT SAFETY INSTRUCTIONS. | | Winterizing | 8 |
| READ AND FOLLOW ALL INSTRUCTION. | 3 | 7. TROUBLESHOOTING | 9 |
| Entrapment Prevention | 5 | 8. ILLUSTRATED PARTS LIST | 10 |
| 3. OVERVIEW | 6 | 9. WARRANTY | 11 |
| Constant-Speed Pump Models | 6 | | |
| Dual-Speed Pump Models | 6 | | |
| 4. INSTALLATION | 6 | | |
| Pump..... | 6 | | |

Revision 5 reflects the following changes:

Limited Warranty Effective Date language revised on page 11.

1. WARNINGS

Pay Attention to these Terms

| | |
|------------------|---|
| ▲ DANGER | Indicates the presence of immediate hazards which will cause severe personal injury, death or substantial property damage if ignored. |
| ▲ WARNING | Indicates the presence of hazards or unsafe practices which could cause severe personal injury, death or substantial property damage if ignored. |
| ▲ CAUTION | Indicates the presence of hazards or unsafe practices which could cause minor personal injury or product or property damage if ignored. |
| CAUTION | CAUTION used without the warning alert symbol indicates a potentially hazardous condition which could cause minor personal injury or product or property damage if ignored. |
| NOTE | Indicates special instructions on installation, operation, or maintenance which are important but not related to personal injury hazards. |

2. IMPORTANT SAFETY INSTRUCTIONS. READ AND FOLLOW ALL INSTRUCTION.

▲ WARNING: Before installing this product, read and follow all warnings notices and instructions in this manual. Failure to follow warnings and instructions can result in severe injury, death, or property damage. Please call 1-877-213-3726 or refer to www.raypak.com for more information related to this product.

▲ WARNING: Improper installation, adjustment, alteration, service, or maintenance can cause property damage, personal injury or loss of life.

▲ DANGER: Serious bodily harm or death can result if this pump and motor is not installed and used correctly.

▲ WARNING: Risk of electrical shock. More than one disconnect switch may be required to de-energize the equipment before servicing.

▲ WARNING: A pool or spa pump must be installed by a qualified pool and spa service professional in accordance with the National Electrical Code and all applicable local codes and ordinances. Improper installation may cause an electrical hazard which could result in death or serious injury to pool users, installers, or others due to electrical shock, and also cause property damage.

▲ WARNING: Pumps are not a substitute for properly installed and secured pool drain covers. An ANSI/ASME A112.19.8 approved anti-entrapment drain cover must be used for each drain. Pools and spas should utilize a minimum of 2 drains per pump. If a drain cover becomes loose, broken, or is missing, close the pool or spa immediately and shut off the pump until an approved anti-entrapment drain cover is properly installed with the manufacturer's supplied screws.

▲ WARNING: This pump and motor is intended for use in swimming pool applications.

▲ WARNING: Most states and local codes regulate the construction, installation, and operation of public pools and spas, and the construction of residential pools and spas. It is important to comply with these codes, many of which directly regulate the installation and use of this product. Consult your local building and health codes for more information.

▲ WARNING: To reduce the risk of injury, do not permit children to use this product unless they are closely supervised at all times.

▲ WARNING: When setting up pool water turnovers or flow rates, the operator must consider local codes governing turnover as well as disinfectant feed ratios.

▲ WARNING: DO NOT increase pump size, this will increase the flow rate through the system and exceed the maximum flow rate stated on the drain cover.



▲ DANGER: Hazardous suction can trap hair or body parts, causing severe injury or death. Do not block suction.

▲ WARNING: Pump suction is hazardous and can trap and drown or disembowel bathers. Do not use or operate swimming pools, spas, or hot tubs if a suction outlet cover is missing, broken, or loose.



⚠ DANGER: ELECTROCUTION OR ELECTRICAL SHOCK RISK. DISCONNECT ELECTRICITY BEFORE WORKING ON PUMP, OR SHOCK, BURN OR ELECTROCUTION CAN RESULT.

Always disconnect pool pump power at the circuit breaker before servicing the pump. Death or serious injury to service people, pool users or others due to electric shock could result from failure to avoid the high danger risk.

NOTE: Always turn off all power to the pool pump before installing the cover or working on any suction outlet.

⚠ WARNING: Never work on the pump while it is running or the power is still connected. High voltage can cause serious or fatal injury. A suitable ground fault interrupter (GFCI) should always be installed at the power supply source of this unit. Article 681-31 of the NEC requires that a GFCI be used if this pump is used with a storage pool. Be sure to ground the motor before connecting to electrical AC power source. Failure to ground the motor can cause serious or fatal electrical shock hazard. DO NOT ground to a gas supply pipe line.

⚠ CAUTION: This pump is for use with permanently installed pools and may also be used with hot tubs and spas. Do not use with storable pools unless the pump is protected by a factory-installed double-insulated enclosure. A permanently-installed pool is constructed in or on the ground or in a building such that it cannot be readily disassembled for storage. A storable pool is constructed so that it may be readily disassembled for storage and reassembled to original integrity.

NOTE: This pump operates with electrical voltage, and can generate both vacuum and pressure in the water system. When properly wired and plumbed, this pump will operate in a safe manner.

⚠ WARNING: Ground and bond the pump before connecting to electrical power supply. Failure to ground and bond the pump can cause serious or fatal electrical shock hazard. DO NOT ground to a gas supply line. To avoid dangerous or fatal electrical shock, turn OFF power to the pump before working on electrical connections.

NOTE: Always turn off all power to the pool pump before installing the cover or working on any suction outlet.

⚠ DANGER: For continued protection against possible electrical shock, this unit is to be mounted to the base in accordance with the installation instructions.

⚠ WARNING: Bonding Instructions - Permanently wired units will need to include instructions for connecting the solid copper, equipotential bonding conductor. For units sold with the UL Mark for the United States (USL), the size of the bonding conductor should be No. 8 AWG. For units sold with the UL Mark for Canada (CNL), the size of the bonding conductor should be No. 6 AWG.

⚠ CAUTION: Elevated water temperature can be hazardous. The U.S. Consumer Product Safety Commission has these guidelines:

1. Spa water temperatures should never exceed 104°F (40°C). A temperature of 100°F (38°C) is considered safe for a healthy adult. Special caution is suggested for young children.
2. Drinking of alcoholic beverages before or during spa or hot tub use can cause drowsiness which could lead to unconsciousness and subsequently result in drowning.
3. Pregnant Women Beware! Soaking in water over 102°F (39°C) can cause fetal damage during the first three months of pregnancy resulting in the birth of a brain-damaged or deformed child.
4. Before entering the spa or hot tub, users should check the water temperature with an accurate thermometer; spa or hot tub thermostats may err in regulating water temperatures by as much as 4°F (2.2°C).
5. Persons with a medical history of heart disease, circulatory problems, diabetes, or blood pressure problems should obtain a physician's advice before using pools or hot tubs.
6. Persons taking medications which induce drowsiness, such as tranquilizers, antihistamines, or anticoagulants, should not use spas or hot tubs.

⚠ WARNING: To reduce the risk of electrical shock, connect ground wires to grounding screw located in the motor. Use no smaller than a #12 AWG (3.3 mm) wire.

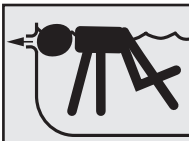
⚠ WARNING: To reduce the risk of electrical shock, replace any damaged electrical cord immediately.

⚠ WARNING: Do not bury the electrical cord. Place the cord so as to eliminate contact to from lawnmowers, hedge trimmers, other equipment and to avoid a tripping hazard.

⚠ WARNING: Risk of Electric Shock. Connect only to a branch circuit protected by a ground-fault circuit-interrupter (GFCI). Contact a qualified electrician if you cannot verify that the circuit is protected by a GFCI. The unit must be connected only to a supply circuit that is protected by a ground-fault circuit-interrupter (GFCI). Such a GFCI should be provided by the installer and should be tested on a routine basis. To test the GFCI, push the test button. The GFCI should interrupt power. Push the reset button. Power should be restored. If the GFCI fails to operate in this manner, the GFCI is defective. If the GFCI interrupts power to the pump without the test button being pushed, a ground current is flowing, indicating the possibility of an electric shock. Do not use this pump. Disconnect the pump and have the problem corrected by a qualified service representative before using.

Entrapment Prevention

▲ DANGER: DO NOT BLOCK SUCTION.



▲ DANGER: Hazardous suction can trap hair or body parts, causing severe injury or death. Do not block suction.

SUCTION HAZARD. Can cause serious injury or death. Do not use this pump for wading pools, shallow pools, or spas containing bottom drains, unless the pump is connected to at least two functioning suction outlets.

▲ WARNING: Pump suction is hazardous and can trap and drown or disembowel bathers. Do not use or operate swimming pools, spas, or hot tubs if a suction outlet cover is missing, broken, or loose.

The following guidelines provide information for pump installation to minimize risk of injury to users of pools, spas, and hot tubs.

Entrapment Protection

The pump suction system must provide protection against the hazards of suction entrapment.

Suction Outlet Covers

All suction outlets must have screw-fastened covers installed. All suction outlet (drain) covers must be maintained. Drain covers must be listed/certified to the latest published edition of ANSI/ASME A112.19.8 (ANSI/APSP-16, 2011). They must be replaced if cracked, broken, or missing.

Number of Suction Outlets Per Pump

Provide at least two hydraulically-balanced main drains, with covers, as suction, for each circulating pump suction line. The centers of the main drains (suction outlets) on any one suction line must be at least 3 ft (.9 m) apart, center to center.

The system must be built to include at least two suction outlets (drains) connected to the pump whenever the pump is running. However, if the two main drains run into a single suction line, the single suction line may be equipped with a valve that will shut off both main drains from the pump. The system shall be constructed so that it shall not allow for separate or independent shutoff or isolation of each drain.

More than one pump can be connected to a single suction line as long as the requirements above are met.

Water Velocity

The water velocity through the suction fitting or cover for any suction outlet must be 1.5 ft (.5 m) per second or less, unless the outlet complies with the latest published edition of ANSI/ASME A112.19.8 (ANSI/APSP-16, 2011), the standard for Suction Fittings For Use in Swimming and Wading Pools, Spas, Hot Tubs, and Whirlpool Bathtub Applications. In any case, do not exceed the suction fitting's maximum designed flow rate.

If 100% of the pump's flow comes from the main drain system, the water velocity in the pump suction hydraulic system must be 6 ft (1.8 m) per second or less, even if one main drain (suction outlet) is completely blocked. The flow through the remaining main drain(s) must comply with the latest published edition of ANSI/ASME A112.19.8 (ANSI/APSP-16, 2011), the standard for Suction Fittings For Use in Swimming and Wading Pools, Spas, Hot Tubs, and Whirlpool Bathtub Applications.

Testing and Certification

Suction outlet covers must have been tested by a nationally-recognized testing laboratory and found to comply with the latest published edition of ANSI/ASME A112.19.8 (ANSI/APSP-16, 2011), the standard for Suction Fittings For Use in Swimming and Wading Pools, Spas, Hot Tubs, and Whirlpool Bathtub Applications.

Fittings

Fittings restrict flow; for high-efficiency, use the fewest possible fittings (but at least two suction outlets).

Avoid fittings that could cause an air trap.

Pool cleaner suction fittings must conform to applicable International Association of Plumbing and Mechanical Officials (IAPMO) standards.

SAVE THESE INSTRUCTIONS.

3. OVERVIEW

Constant-Speed Pump Models

This above-ground pool centrifugal pump is designed to operate for years with proper maintenance. The pump body, trap with basket, diffuser and impeller are made from high quality thermoplastic materials. These materials are made using corrosion-resistant materials.

These pumps are driven by an electric motor which is directly attached to an impeller. When the electric motor turns, the impeller turns too, moving water from the trap inlet, to the outlet for water circulation. The trap basket stops debris from going into the pump to protect the impeller. It has a transparent lid cover which can be opened for cleaning out the trap.

Dual-Speed Pump Models

Some of the pump models feature both high-speed and low-speed settings. At low speed, the pump runs at half of the high-speed rate and thus has a different performance curve. In low speed mode, the electrical energy savings are 60%, based on an equal amount of circulated water.

Switch the motor to low speed for quiet operation and electrical cost savings if circulation turnover time is not of critical concern. Expect that minor adjustments may be required with the automatic chlorine dispenser, the skimmers, and the heater, due to the lower flow. Refer to the manual as necessary.

High-speed mode is ideal for vacuuming the pool, quick filtering action, priming the system, and for keeping up with heavy pool usage.

4. INSTALLATION

⚠ WARNING: Blockage of suction fittings can cause serious or fatal injury due to drowning. To reduce the risk of injury, do not permit children to use this product.

⚠ WARNING: Never work on the pump while it is running or power is still connected. High voltage can cause serious or fatal injury. A suitable ground fault interrupter (GFCI) should always be installed at the power supply source of this unit. Article 681-31 of the NEC requires that a GFCI be used if this pump is used with a storage pool. Be sure to ground the motor before connecting it to an electrical AC power source. Failure to ground the motor can cause serious or fatal electrical shock hazard. DO NOT ground to a gas supply pipe line.

⚠ WARNING: The system's centrifugal pump operates with electrical voltage, and can generate both vacuum and pressure in the water system. When properly wired and plumbed, this pump will operate in a safe manner.

⚠ WARNING: Chemical fumes and/or spills can cause serious corrosion to the filter and pump structural components. Structurally-weakened components can cause filter, pump, or valve attachments to separate and could cause serious bodily injury or property damage.

Packaging

A hose barb kit and union kit are included and needed to make the connections.



Figure 1. Connection Kits

Pump

1. Only qualified, licensed personnel should install pump and wiring.
2. Electrical Contractors Please Note: All 115VAC 60Hz pumps must be wired to the main power supply through an approved and correctly-rated contactor.
3. Allow for an isolation valve in the suction piping.

Upon receipt of the pump, check the carton and check valve for damage. Open the carton and check the pump for concealed damage, such as cracks, dents, or a broken base. If damage is found, contact the shipper or distributor from which the pump was purchased.

- Inspect the contents of the carton and verify that all parts are included. See page 10.
- Install the pump as close to the pool as possible, preferably in a dry, well-ventilated area away from direct sunlight. Protect the pump from excessive moisture. Make sure there is drainage available near to where the filter is to be installed. Give consideration to:
 - a. Drainage distance from the pump.
 - b. Pump motor ventilation.
 - c. Service Access for maintenance and winterizing.
- Place the pump as close to the water source as possible, so that the suction pipe is short, straight and direct, thereby reducing friction loss.

- Before installing the pump, make sure that the surface is solid, elevated, rigid and vibration-free.
- Secure the pump to the base with screws or bolts to limit the vibration and the stress on the pipes and joints.
- Leave enough space for the isolation and check valves on the suction and discharge piping, as required.
- Connect the suction and discharge pipes to the outlet and inlet of the swimming pool.
- Make sure that ground level drainage is adequate so as to prevent flooding.
- DO NOT store or use gasoline or other flammable vapors or liquids in the vicinity of this pump. DO NOT store pool chemicals near the pump.
- DO NOT remove any safety alert labels such as DANGER, WARNING, or CAUTION. Keep safety labels in good condition and replace any missing or damaged labels.
- Make sure that the pump and piping are accessible for servicing.

NOTE: The pump suction and discharge connections have molded-in thread stops. DO NOT try to screw pipes beyond these stops.

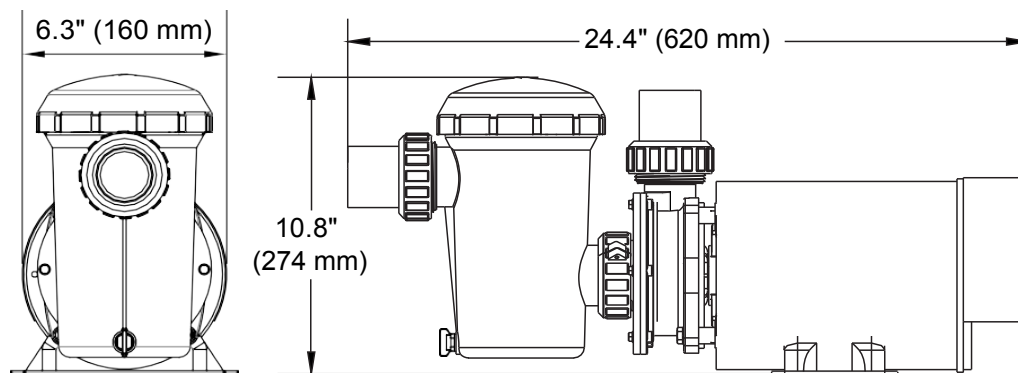


Figure 2. Dimensions

| Model | Input power | Power (HP) | Speed | Voltage | Connection Size |
|----------|-------------|------------|--------|-----------|-----------------|
| RPAGP75 | 0.55kW | 0.75 | Single | 115V/60Hz | 1.5" |
| RPAGP100 | 0.75kW | 1.0 | Single | | |
| RPAGP102 | 0.75kW(Max) | 1.0 | Dual | | |
| RPAGP150 | 1.1kW | 1.5 | Single | | |
| RPAGP152 | 1.1kW(Max) | 1.5 | Dual | | |

Table A. Specifications

5. START-UP

▲ WARNING: NEVER run pump dry! Running the pump dry may damage seals, causing leakage or flooding! Fill the pump with water before starting the motor. It is an above ground pool pump and cannot self-prime. Fill the pump with water before starting.

- Always STOP THE PUMP before and RELEASE ALL PRESSURE from the pump and the piping system before proceeding.
- NEVER tighten or loosen screws while the pump is operating.
- Do not block pump suction.

▲ WARNING: Do not block pump suction! To do so with body parts may cause severe or fatal injury. Children using pool must ALWAYS have close adult supervision.

Priming Pump

- Release all air from the filter and piping system (see filter instructions below).
- In a flooded suction system (water source higher than pump) the pump will prime itself when the suction and discharge valves are opened.
- If the pump is not in a flooded suction system, unscrew and remove the trap cover, then fill the trap and pump with water.
- Clean and inspect the O-Ring. Re-install it on the trap cover.
- Replace the trap cover on the trap; turn clockwise to tighten the cover.

NOTE: Tighten the trap cover by hand only. Priming time will depend on the vertical length of suction lift and the horizontal length of the suction piping.

6. GENERAL MAINTENANCE

▲ WARNING: To prevent damage to the pump and for proper operation of the system, clean the pump strainer and skimmer baskets regularly.

The only routine maintenance needed is inspection and cleaning of the trap basket (pre-filter basket). Debris or trash that collects in the basket will restrict water flow through the pump. Follow the instructions below to clean the trap.

1. Stop the pump, close the suction and discharge gate valves, and release all pressure from the system before proceeding.
2. Unscrew the trap lid (pre-filter lid) by turning counterclockwise.
3. Remove the strainer basket and clean it. Be sure all holes in the basket are unclogged, then flush the basket with water and put the trap (pre-filter) back

into position with the large opening facing the pipe connection port. If the basket is replaced backwards, the cover will not fit on the trap body.

4. Clean and inspect the lid.
5. Clean the O-ring and its groove on trap body (pre-filter) and replace the lid. To help keep the lid from sticking, tighten by hand only.
6. Prime pump (see priming instructions above).

Winterizing

▲ CAUTION: The pump must be protected when freezing temperatures are expected. Allowing the pump to freeze will cause severe damage. Such damage will not be covered under warranty.

There are two options when winterizing the pump.

Option 1

1. Drain all the water from the pump, system equipment, and piping.
2. Remove the drain plugs. Do not put plugs back on. Store the plugs in the empty strainer basket for winter.
3. Keep the motor covered and dry.

Option 2

1. Drain all the water from the pump, system equipment, and piping.
2. Remove the pump and motor from the plumbing lines and store indoors in a warm and dry location.

NOTE: When the winter season is over the pump will need to be primed prior to start. Refer to Start-Up instructions.

▲ CAUTION: DO NOT run the pump dry. If the pump is run dry, the mechanical seal will be damaged and the pump will start to leak at the seal. If this occurs, the mechanical seal will need to be replaced. ALWAYS maintain the proper water level in the pool. Continued operation with low water level could cause a loss of water pressure, resulting in damage to the pump casing, impeller, and mechanical seal. Such damage will not be covered under warranty.

7. TROUBLESHOOTING

| Problem | Cause | Action |
|---|--|--------------------------------------|
| Motor Does Not Start | Switch or circuit breaker is in ON position | Turn to ON position |
| | Fuses blown or thermal overload open | Replace fuses |
| | Locked motor shaft | Replace the pump |
| | Motor windings burned out | Replace the pump |
| | Defective starting switch inside single-phase motor | Replace the pump |
| | Disconnected or defective wiring | Repair the wiring |
| | Low voltage | Call an electrician |
| Pump Does Not Reach Full Speed | Low voltage | Call an electrician |
| | Pump connected to the wrong voltage | Call an electrician |
| Motor Overheats (Circuit Breaker Trips) | Low voltage | Call an electrician |
| | Motor windings connected to the wrong voltage on dual-voltage models | Call an electrician |
| | Inadequate ventilation | Relocate the pump |
| Pump Delivers No Water | Pump is not primed | Prime the pump |
| | Closed valve in the suction or discharge line | Open the valve |
| | Leakage or air into suction system | Call a plumber |
| | Impeller is clogged | Disassemble the pump |
| Leakage Of Water At Shaft | Shaft seal requires replacement | Replace the seal |
| Low Pump Capacity | Valve in suction or discharge line is partly closed | Open or replace the valve |
| | Suction or discharge line is partly plugged | Clear the obstruction |
| | Suction or discharge line is too small | Re-plumb, use a larger pipe diameter |
| | Plugged basket in skimmer or hair and lint strainer | Clean the basket |
| | Dirty filter | Clean the filter |
| | Impeller clogged | Disassemble the pump |
| High Pump Pressure | Discharge valve or inlet fittings closed too much | Readjust or replace |
| | Return lines is too small | Re-plumb, use a larger pipe diameter |
| | Dirty filter | Clean the filter. |
| Noisy Pump And Motor | Plugged basket in skimmer or hair in lint strainer | Clean the basket |
| | Worn motor bearings | Replace the pump |
| | Valve in suction line is partly closed | Readjust the valve |
| | Suction line is partly plugged | Clean or remove the plug |
| | Vacuum hose is plugged or too small | Clean or remove the plug |
| | Pump not supported properly | Examine or replace the base |
| Air Bubbles At Inlet Fittings | Leakage of air into suction line at connections or valve stem | Call a plumber |
| | Cover gasket of hair and lint strainer needs cleaning | Clean the cover gasket |
| | Low water level in pool | Refill pool |

Table B. Troubleshooting Guide

8. ILLUSTRATED PARTS LIST

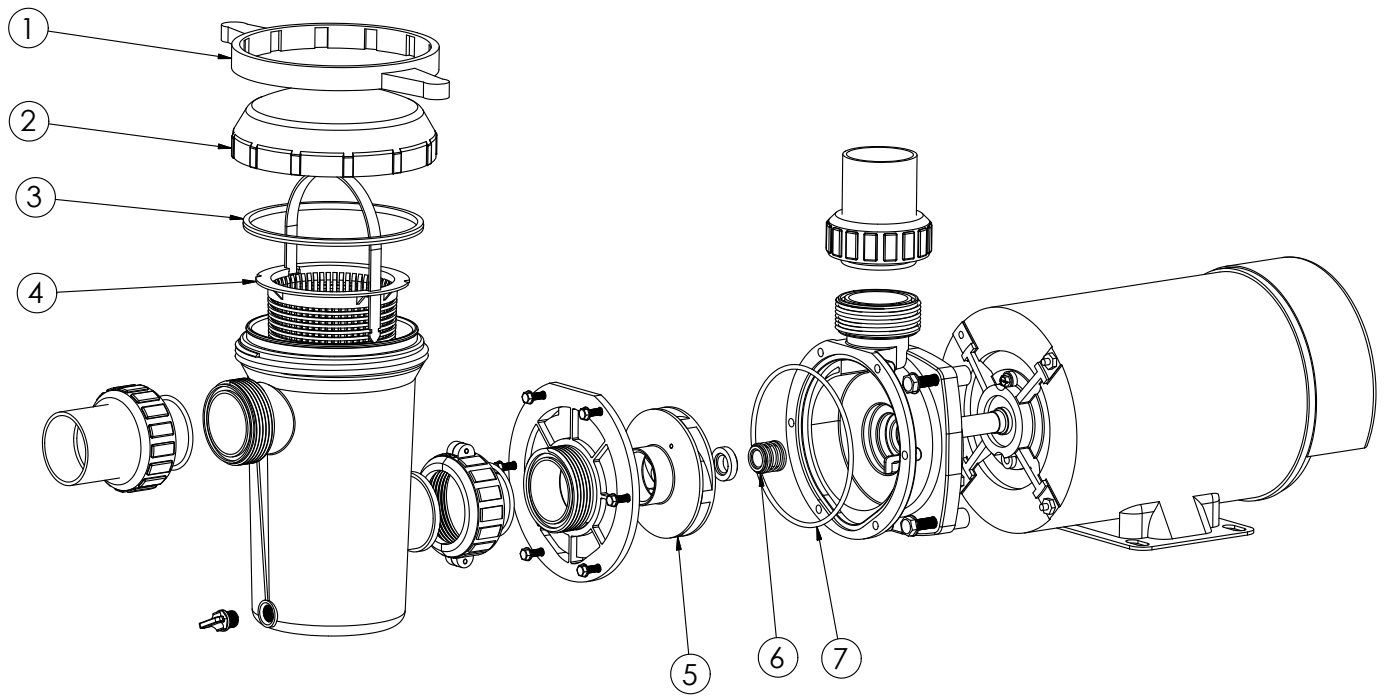


Figure 3. Pump with Motor Exploded View

| Item | Description | Raypak Order No. |
|------|--|------------------|
| 1 | | |
| 2 | Kit - Transparent Cover AGP | 018225F |
| 3 | | |
| 4 | Kit - Pump Basket AGP | 018226F |
| | Kit - Pump Impeller RPAGP75 | 018249F |
| 5 | Kit - Pump Impeller RPAGP100/102 | 018250F |
| | Kit - Pump Impeller RPAGP150/152 | 018251F |
| 6 | | |
| 7 | Kit - Mechanical Seal 1/2" with O-Ring | 018227F |

Table C. Replacement Parts

9. WARRANTY

LIMITED WARRANTY ABOVE GROUND SWIMMING POOL PUMPS

Models: RPAGP75, RPAGP100, RPAGP102, RPAGP150, RPAGP152, and RPVSP1

SCOPE OF WARRANTY

Raypak, Inc. ("Raypak") warrants to the original owner that the above ground swimming pool pump models listed above and sold with this Limited Warranty certificate (the "Pump"), when installed in the United States of America with a pool, will be free from defects in materials and workmanship under normal use and service for the Applicable Warranty Period defined herein. In accordance with the terms of this Limited Warranty, Raypak will, at its option, repair or furnish a replacement for the PUMP or any defective part of the PUMP that fails in normal use and service during the Applicable Warranty Period. The repair or replacement will be warranted for only the unexpired portion of the original Applicable Warranty Period, or the Extended Warranty Period, as the case may be.

EFFECTIVE DATE

The Effective Date of this Limited Warranty is the date of original installation if properly documented. If you are not able to provide documentary proof of the date of original installation, the Effective Date will be thirty (30) days after date of purchase, not to exceed one (1) year after date of manufacture. All Applicable Warranty Periods specified in this Limited Warranty are measured from the Effective Date.

APPLICABLE WARRANTY PERIOD – UNREGISTERED

If the PUMP is installed with a pool, the Applicable Warranty Period is ninety (90) days from the Effective Date, parts only, for the PUMP and component parts.

EXTENDED WARRANTY PERIOD – REGISTERED

If, within 90 days of the Effective Date, the PUMP is installed in a pool at a single family residential dwelling and registered with Raypak (www.raypak.com/warranty), then the Applicable Warranty Period is one (1) year from the Effective Date for the PUMP and component parts.

LABOR AND SHIPPING COSTS

This Limited Warranty does **NOT** cover any travel time or any labor costs. Furthermore, unless applicable state law provides otherwise, this Limited Warranty does **NOT** cover any shipping costs to and from Raypak's designated service provider or to or from the installation site. All of the foregoing costs and expenses are your responsibility, unless applicable state law provides otherwise.

WARRANTY EXCLUSIONS

This Limited Warranty does **NOT** apply:

1. if the PUMP has been moved from its original place of installation, or if the original owner no longer owns the property where the original installation was made;
2. if the PUMP is not properly installed in a pool in accordance with applicable local codes and ordinances, good trade practices and the manufacturer's installation instructions;
3. if the rating plate(s) or serial number(s) are altered or removed;
4. if the PUMP is modified in any way, or if non-factory authorized accessories or other components are used in conjunction with the PUMP;
5. to damage, malfunctions or failures resulting from failure to properly install, operate or maintain the PUMP in accordance with the manufacturer's instructions;
6. to damage, malfunctions or failures resulting from abuse, act of nature, accident, fire, flood, freeze, lightning or the like;
7. to damage, malfunctions or failures resulting from connected system control devices;
8. to performance problems caused by improper sizing of the PUMP or electric service voltage, wiring or fusing;
9. to damage, malfunctions or failures resulting from any alteration, including the use of any attachment, including without limitation, any energy saving device not authorized by the manufacturer;

10. to damage, malfunctions or failures resulting from misuse or neglect, including but not limited to, freeze-ups.

HOW TO MAKE A WARRANTY CLAIM

You should immediately notify your dealer and provide proof of purchase model number serial number and date of installation. If the dealer is not available, please contact Raypak customer service at 805-278-5300. **Proper authorization MUST be obtained PRIOR to any repairs for the Limited Warranty to apply. This Limited Warranty is VOID if the product is repaired or altered in any way by ANY persons or agencies other than those authorized by Raypak.**

When requesting support please be ready to supply the model number, serial number, date of original installation and a description of the problem. Raypak reserves the right at all times to inspect, or require the return of, the defective PUMP or component part and to verify warranty coverage at its factory.

Warranty service CANNOT be initiated until the status of the warranty coverage has been established.

EXCLUSIVE WARRANTY -LIMITATION OF LIABILITY

THE LIMITED WARRANTY IS THE ONLY WARRANTY PROVIDED BY RAYPAK IN CONNECTION WITH THE PUMP AND ITS COMPONENT PARTS. NO ONE IS AUTHORIZED TO MAKE ANY OTHER WARRANTIES ON RAYPAK'S BEHALF. ANY IMPLIED WARRANTIES, INCLUDING MERCHANTABILITY OR FITNESS FOR A PARTICULAR PURPOSE, SHALL NOT EXTEND BEYOND THE APPLICABLE WARRANTY PERIOD SPECIFIED IN THIS LIMITED WARRANTY. RAYPAK'S SOLE LIABILITY WITH RESPECT TO ANY DEFECT SHALL BE AS SET FORTH IN THIS LIMITED WARRANTY. IT IS AGREED THAT RAYPAK SHALL HAVE NO LIABILITY WHETHER UNDER THIS LIMITED WARRANTY OR IN CONTRACT, TORT OR NEGLIGENCE OR OTHERWISE FOR CLAIMS FOR SPECIAL, INCIDENTAL OR CONSEQUENTIAL DAMAGES (INCLUDING NO LIABILITY FOR DAMAGE FROM WATER LEAKAGE), ALL OF WHICH ARE EXPRESSLY EXCLUDED, NOTWITHSTANDING ANY FAILURE OF ESSENTIAL PURPOSE OF ANY LIMITED REMEDY. SOME STATES DO NOT ALLOW LIMITATIONS ON HOW LONG AN IMPLIED WARRANTY LASTS, OR FOR THE EXCLUSION OF INCIDENTAL OR CONSEQUENTIAL DAMAGES, SO THE ABOVE LIMITATION OR EXCLUSION MAY NOT APPLY TO YOU. THIS LIMITED WARRANTY GIVES YOU SPECIFIC LEGAL RIGHTS, AND YOU MAY ALSO HAVE OTHER RIGHTS WHICH VARY FROM STATE TO STATE.

We suggest you immediately record the model, serial number, date of original installation and receipt of purchase and retain this Limited Warranty Certificate in the event warranty service is needed.

DO NOT RETURN THIS DOCUMENT TO RAYPAK. KEEP IT WITH YOUR POOL PUMP OR BUSINESS RECORDS.

Register your product online at www.raypak.com/warranty

RAYPAK, INC., 2151 Eastman Avenue, Oxnard, CA 93030 • (805) 278-5300 FAX (800) 872-9725



www.raypak.com

Raypak, Inc., 2151 Eastman Avenue, Oxnard, CA 93030 (805) 278-5300 Fax (805) 278-5468