



Polaris Spabot™ Automatic Spa Cleaner

### Polaris Spabot™ Cordless Spa Cleaner.

- Easily and conveniently removes dirt and debris from spas and hot tubs
- Cord-free, hassle-free design powered by a rechargeable 6Ah lithium-ion battery
- SpaNav™ Technology maneuvers complicated curves and steps
- 60-Minute cleaning cycle
- Float Finish™ Retrieval bobs at surface for simple removal
- 4-Hour indoor charging

| Part No. | Description                          |
|----------|--------------------------------------|
| SB1000   | Polaris Spabot Automatic Spa Cleaner |

### Polaris Spabot™ Cordless Robotic Cleaner

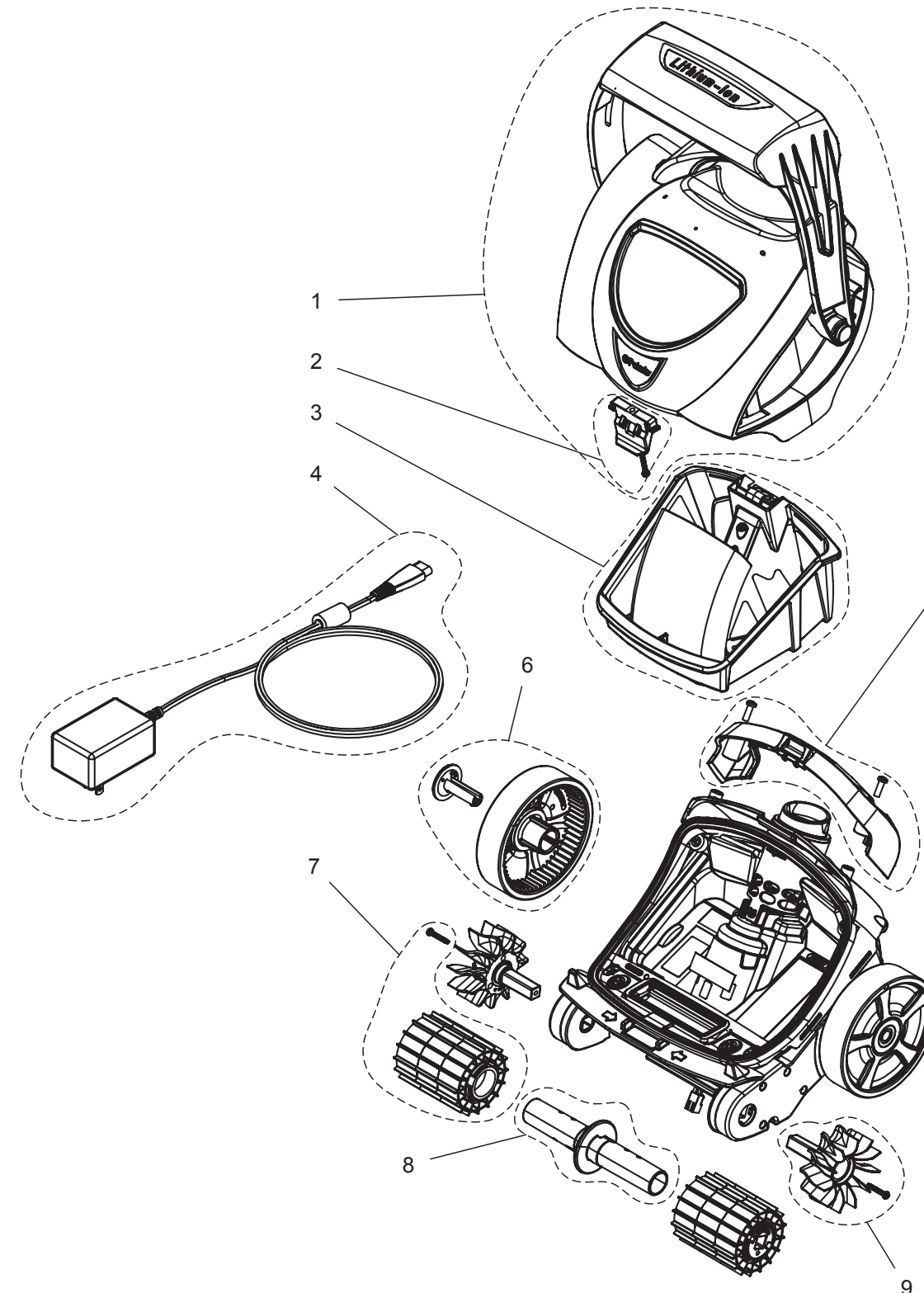
Part No. SB1000

| Key No. | Part No. | Description                 | Pieces in Model | Pieces per Part No. |
|---------|----------|-----------------------------|-----------------|---------------------|
| 1       | R0920000 | Canister Lid, Polaris       | 1               | 1                   |
| 2       | R0920200 | Lower Lid Latch             | 1               | 1                   |
| 3       | R0920100 | Fine Sand/Silt Canister     | 1               | 1                   |
| 4       | R0919501 | Battery Charger, US         | 1               | 1                   |
| 5       | R0920300 | Rear Handle, Cyan           | 1               | 1                   |
| 6       | R0919900 | Complete Wheel 2/PK         | 2               | 2                   |
| 7       | R0919600 | Brush 2/PK                  | 2               | 2                   |
| 8       | R0919700 | Roller Support              | 1               | 1                   |
| 9       | R0919800 | Right and Left Side Brushes | 2               | 2                   |

Note: If motor or battery error occurs, replace entire cleaner

### Polaris Spabot™ Cordless Spa Cleaner

Part No. SB1000



All Polaris Robotic cleaners are ETL listed.  
Type EC27--, EM27--, EP37--, EN27--,  
EN37--, ES37-- and ES38--