

Polaris Ladder/Rail Guard Kit Installation

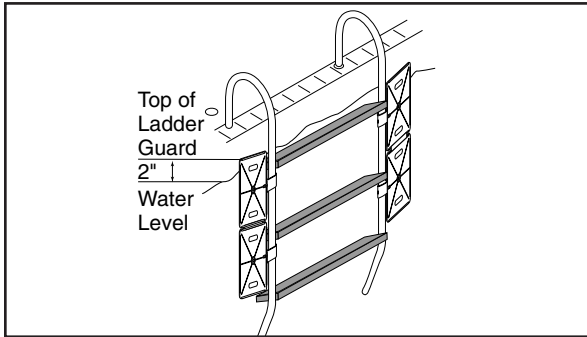
This kit contains:

- Ladder guards (2)
- Screws (2)
- "U" clamps (2)
- Guard connectors (2)

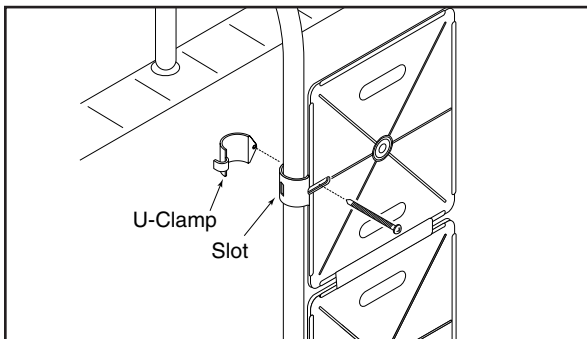
Most handrail installations require two guards on each side of the ladder rail and two guards underneath the bottom rung of the ladder. Most step rail installations require four ladder guards.

Ladder/Rail Installation

1. Install one ladder guard on each side of the ladder. Extend each guard from the ladder rail to the pool wall. The top edge of each ladder guard should extend two inches above the water line.
2. Place the hook of the "U" clamp into the slot of the ladder guard to position it around the rail.

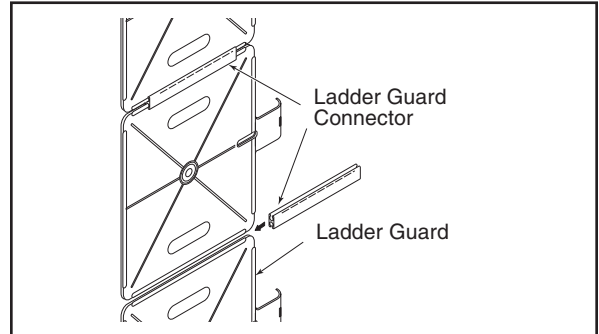


3. Insert the screw through the hole in the ladder guard and into the "U" clamp. Tighten only enough to secure the guard to the ladder rail.

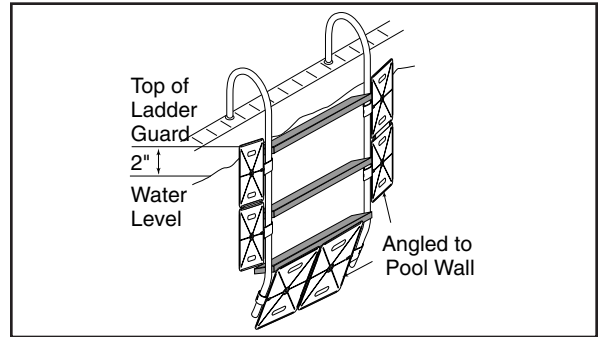


4. When joining a guard below another, slip a ladder guard connector onto the bead of each ladder guard.

Note: The guards should have a slight outward angle from the rail. If they are too large, they can be trimmed to fit. (A saw will cut the guards.)

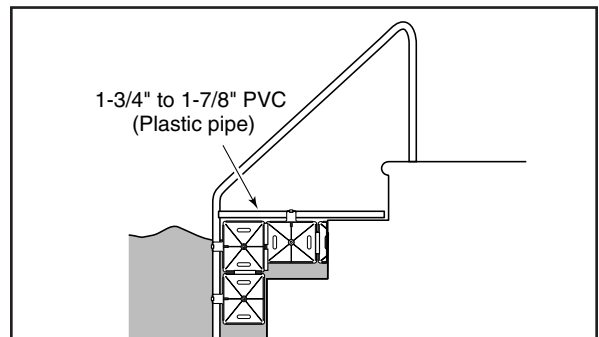


5. Attach two ladder guards underneath the bottom rung by following the same procedure as outlined previously for the side rails.



Step Rail Installation

1. Place a length of 1-3/4" to 1-7/8" PVC pipe from the step rail, just above the water line, along a horizontal plane to the pool wall. Notch one end to fit around the step rail.
2. Place the guards as shown. It may be necessary to trim the guards to fit. (A saw can be used to cut the guards.)



USA: 2620 Commerce Way, Vista, CA 92081-8438 • 760-599-9600 • 1-800-VAC-SWEEP (USA and Canada only)
Australia: Unit 4, 19-21 Gibbes Street, Chatswood, NSW 2067 • 02-9882-1111 • ACN 080 168 092
www.polarispool.com