



**Polaris 7000
Above-Ground
Robotic Cleaner**

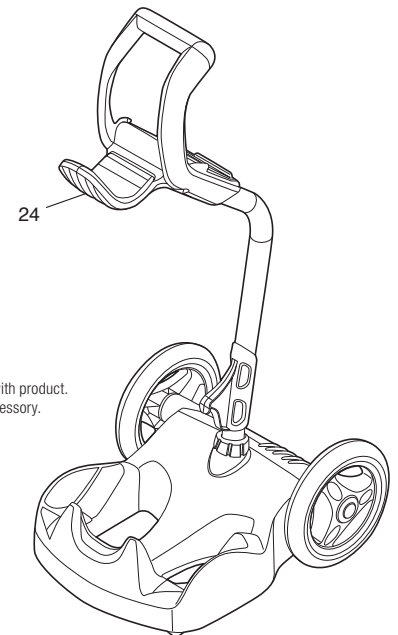
Polaris 7000 Above-Ground Robotic Cleaner

- Compact, lightweight design with easy canister access and transparent lid
- Cyclonic Vacuum Technology for superior vacuum efficiency
- Single cleaning cycle; floor and cove cleaning suited for above-ground and simple in-ground pools
- 40-foot floating cable for pools less than 30 feet long

Part No.	Description
F7000	Polaris 7000 Above-Ground Robotic Cleaner

Key No.	Part No.	Description	Pieces in	
			Model	Pieces per Part No.
1	R0516700	Screw 4*12, 5/PK	9	5
2	R0633300	Exhaust Valve C, 3/PK	3	3
3	R0638900	Screw 4*25mm, 5/PK	2	5
4	R0565600	Floating Cable Plug	1	1
	R0763200	Fine Filter Canister GP	0	1
5	R0763300*	General Purpose Filter Canister GP (comes standard)	1	1
	R0763400	Ultra Fine Filter Canister GP	0	1
6	R0800500	Control Box Connector Cap	1	1
7	R0765800	Blade Kit, 5/PK	1	5
8	R0766100	Flow Outlet	1	1
9	R0766200	Impeller	1	1
10	R0767000	Brush Holder	1	1
11	R0767100	Ballast Smaller, 2/PK	3	2
12	R0771800	Complete Front Wheels	2	2
13	R0771900	Complete Back Wheels	2	2
14	R0772000	Right and Left Flanges	2	2
15	R0772100	Complete Gears System	1	1
16	R0767400	Complete Chassis *includes motor block and cable	1	1
17	R0662600	Control Unit Base	1	1
18	R0762400	Control Box Floor US	1	1
19	R0766700	Complete Body Type 5	1	1
20	R0764700	Complete Cover Type 2 Polaris	1	1
21	R0765400*	Brush R9022 GP	1	1
22	R0765900	Nozzle R9022	1	1
23	R0765700*	Track GP, 2/PK	2	2
24	R0767600	Complete Caddy	0	1

*Suggested stocking part



Caddy does not ship with product. This is an optional accessory.



All Polaris Robotic cleaners are ETL listed. Type EC27--, EM27-- and EP27--

Polaris 7000 Above-Ground Robotic Cleaner

Part# F7000

