

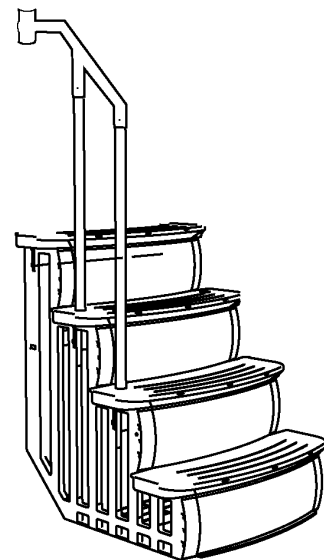


SMART STEP ASSEMBLY INSTRUCTIONS

Model #200600T

- Can be used with Model #200700T Smart Choice Ladder to create the Smart Step System
- Can also be used with #200502T Brilliant Step System

ATTENTION: Refer to Smart Choice Ladder assembly prior to putting step in pool.



Step 6 Pool Installation

Note: Two (2) people are required for installation.

Fill each of the two (2) Ballast Sand Bags (K) with a purchased and factory sealed bag of sand. A total weight of approximately 80 lbs., is required to keep the step from moving once in place. With the assistance of another person, carefully place the step into the pool. Place the two sand bags over the Ballast Tray (D) to hold the step into place. Again, with the assistance of another person, walk back and position the step against the pool wall to prevent swim behind hazards.



Step 7 Smart Step to Smart Choice Ladder

With the Smart Step in its final desired position in the pool, place the assembled Smart Choice Ladder on the outside of the pool so the Smart Step Handrail cradles the right side handrail of the Smart Choice Ladder. Align the Smart Connector (J) screw holes to the Upper Handrail (E) and secure by using two (2) #8 x 1" screws.

SAFETY INSTRUCTIONS:

- Install step per manufacturer's instructions.
- Locate Smart Step on a solid base.
- Smart Step is designed for use by one person at a time.
- This step is intended for use as a swimming pool entry/exit only.
- Face the step when entering and exiting the pool.
- No jumping, no diving from the step.
- Do not swim through, behind or around the step.

Tools Required

Cordless Screwgun/Drill, 1/8" Drill Bit,
Standard Phillips Bit, Safety Glasses

SAND NOT INCLUDED. FLAT BOTTOM POOLS ONLY.

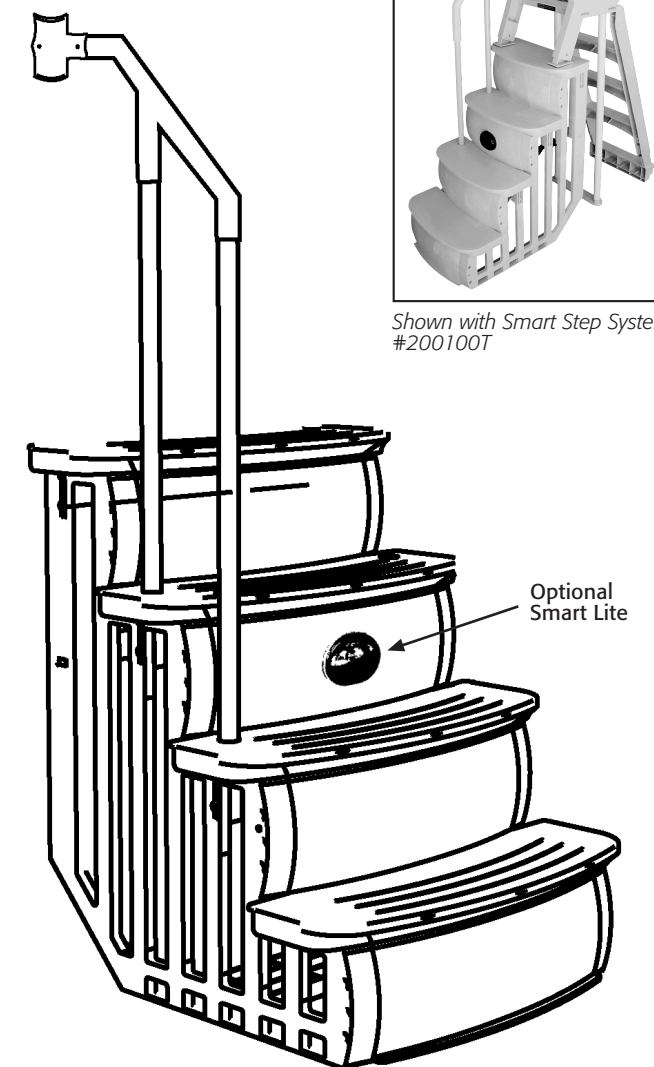
Note: Before you begin the assembly of your ladder/step please insure you have all components and hardware.

Note: Contact our customer service department to request any missing or damaged parts or hardware at 888-333-1134.

Note: Refer to Smart Choice Ladder instructions for securing outside ladder to the in-pool step.



Shown with Smart Step System #200100T



1004 Jaycox Road • Avon, Ohio 44011
888-333-1134



Model #200600T

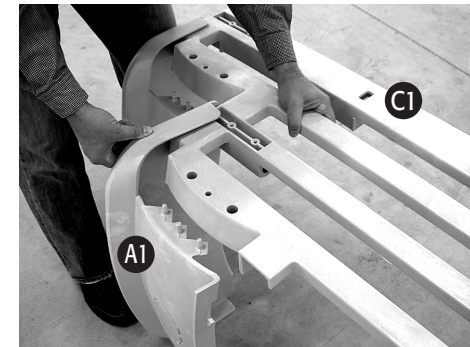
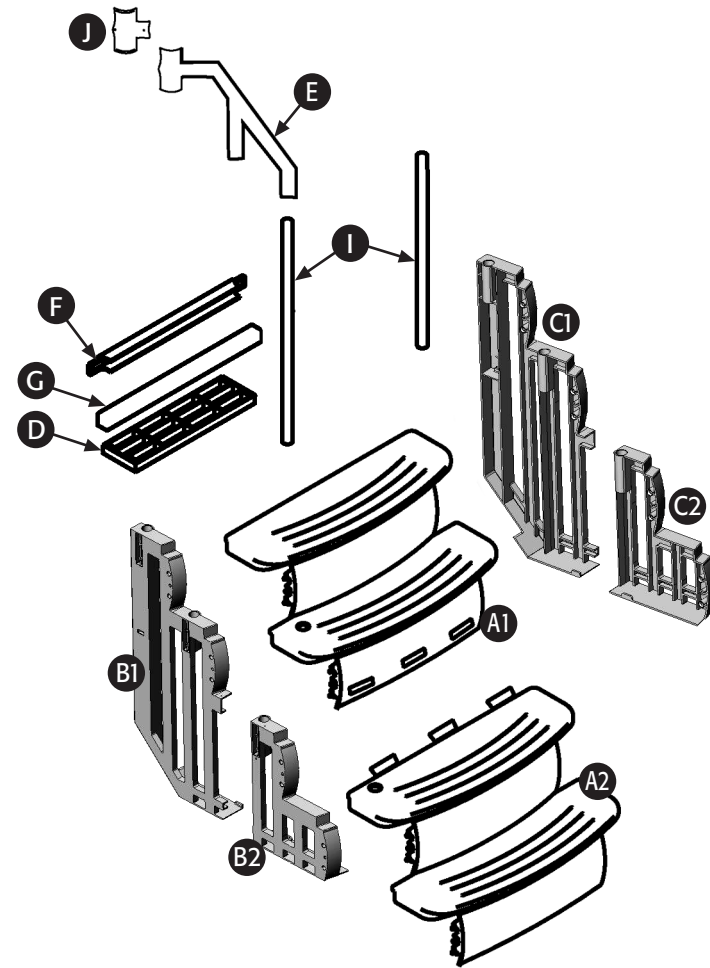
SMART STEP ASSEMBLY INSTRUCTIONS

Smart Step Components Qty

A1) Upper Step Tread	1
A2) Lower Step Tread	1
B1) Upper Left Side Riser	1
B2) Lower Left Side Riser	1
C1) Upper Right Side Riser	1
C2) Lower Right Side Riser	1
D) Ballast Tray	1
E) Upper Handrail	1
F) Top Step Support Brace	1
G) Mid Riser Support Brace	1
I) Lower Handrails	2
J) Smart Connector	1

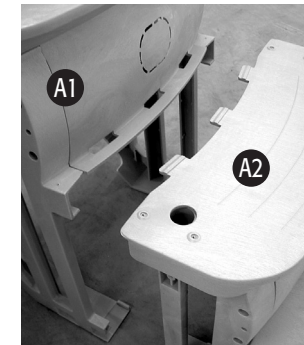
Hardware Kit (not shown) Qty

K) Ballast Sand Bags	2
L) #8 x 1" Screws	8
M) #14 x 1-1/4" Screws	4



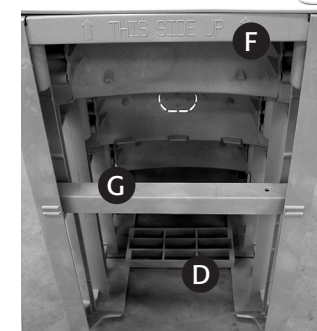
Step 2 Upper Step and Riser Assembly

Position the Upper Step Tread (A1) on its side as shown. Align the "mushroom head" snaps with holes on the Upper Right Side Riser (C1). Once all snaps and alignment holes are in position, firmly hold down the riser and strike with a rubber mallet to secure the "mushroom heads" to the riser. Flip over the assembly and repeat with the Upper Left Side Riser (B1).



Step 3 Upper and Lower Assembly

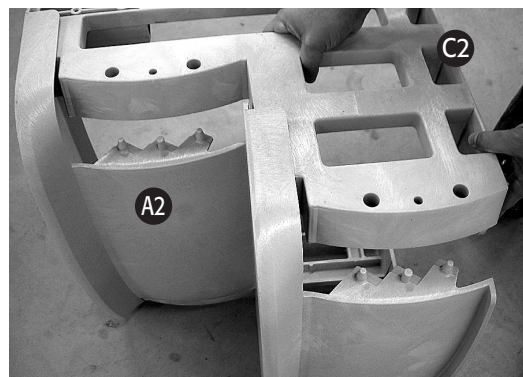
Stand the Lower Step & Riser Assembly and Upper Step & Riser Assembly in the upright position as shown. Insert the tabs on the Lower Step Tread (A2) into the slots on the Upper Step Tread (A1).



Step 4 Step Braces

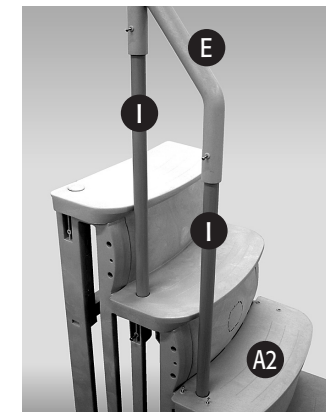
Locate the Top Step Support Brace (F). Position the brace with the open side facing toward the front of the step. Be sure to position the brace so the notch on each end will align and be flush with the top side of each riser. Locate the Mid-Riser Support Brace (G). Position the brace with the open side facing down. Snap down and secure the brace over the tabs which are located in the middle back section of each riser. Snap in Ballast Tray (D) over riser tabs.

STEP BY STEP ASSEMBLY INSTRUCTIONS



Step 1 Lower Step and Riser Assembly

A second person will be of assistance in holding the side risers in place as it is being secured to the step treads. Position the Lower Step Tread (A2) on its side as shown. Align the "mushroom head" snaps with holes on the Lower Right Side Riser (C2). Once all snaps and alignment holes are in position, firmly hold down the riser and strike with a rubber mallet to secure the "mushroom heads" to the riser. Flip over the assembly and repeat with the Lower Left Side Riser (B2).



Step 5 Handrail Assembly

Insert the two (2) Lower Handrails (I) into the step tread sockets on the left side of the second and third steps. Secure each handrail with two (2) #14 x 1-1/4" screws (M) on the outer side of the Left Side Riser. Secure the Upper Handrail (E) to the Lower Handrails (I) and secure with two (2) #8 x 1" screws.

Using four (4) #8 x 1" screws, secure the top of the Lower Step Tread (A2) to the risers. Screw locators are provided. Be sure the screws secure the Lower Step Tread (A2) to the side risers.

Continued on back page