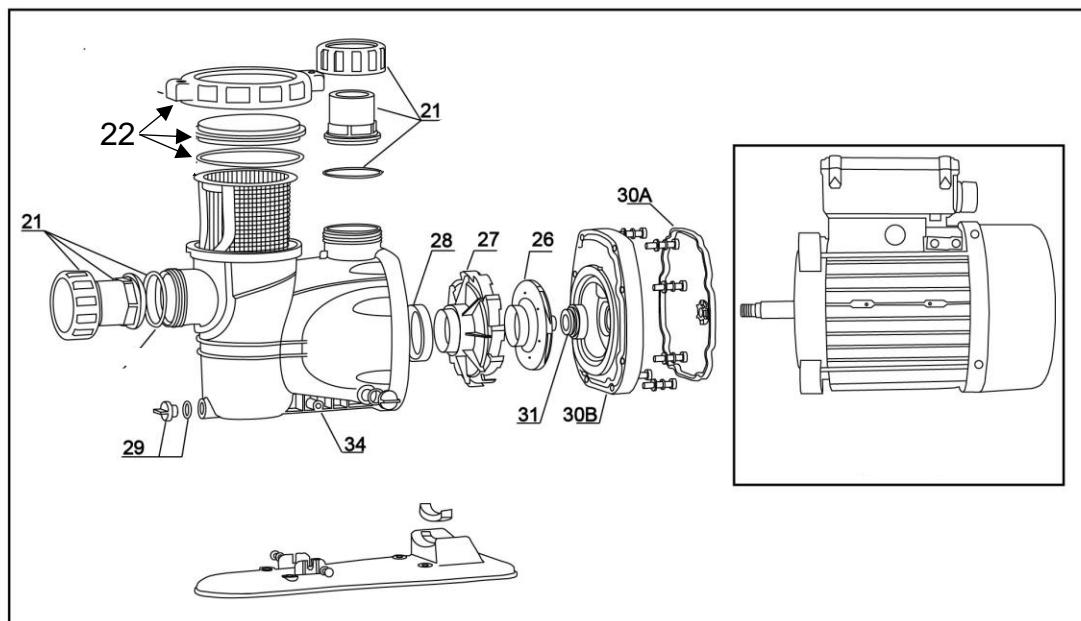
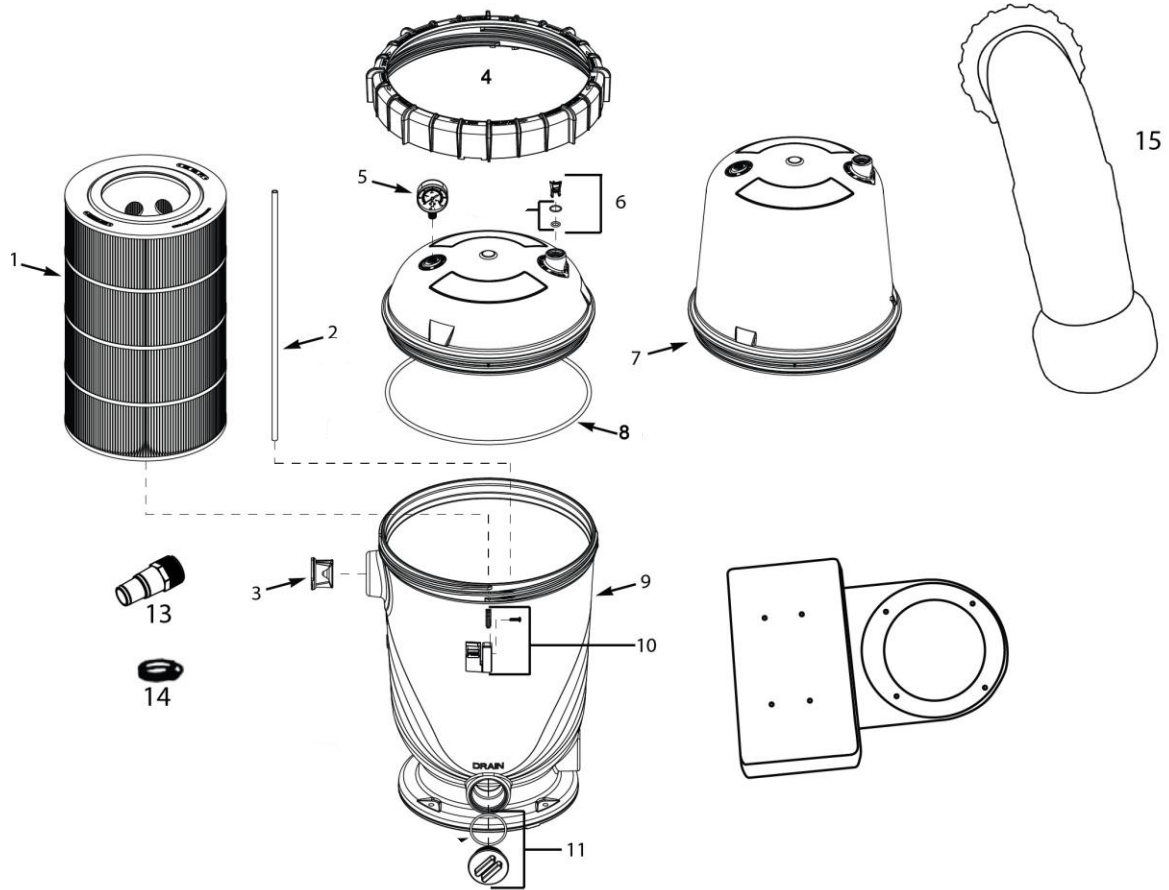


Jacuzzi JHX Hardwall ABG Cart Filter Breakdown



Key	MFG Part No.	Description	Leslie's SKU
1a	62998-JX2	JHX 110sqft Replacement Cartridge	677970
1b	6299-JX2	JHX 180sqft Replacement Cartridge	677971
2	68029-001	Breather Tube	677975
3	28584-001	Flow Diverter	677976
4	28576-001B	Filter Locking Ring	677980
5	WN744510	Pressure Gauge	744510
6	28585-0001	Air Relief Assembly w/O-rings	901268
7	28581-001	JHX Cart Top Tank	677977
8	19079-001	Filter Body O-ring	231373
9	28574-X2KEY	JHX Cart Lower Body Tank	677972
10	5736-AQP1	JHX Filter Safety Latch	677973
11	28583-001	2" Drain Plug Assembly	231645
12	10020-001	6' Hose	N/A
13	65020-01	Hose Barb Adapter	60063
14	HC472BL/LS	Hose Clamp	22012
15	28012-JZ	Sweep 90 Pump to Filter Unionized	677974
19	28111-001	2"- 1.5" Reducer Fitting (not shown)	677978
20a	JZ152SP3T	1.5hp 2 Speed Pump w/3ft Twist Lock Cord	41156
20b	JZ152SP63	1.5hp 2 Speed Pump w/6' Standard Plug	41155
20c	JZ202SP3T	2hp 2 Speed Pump w/3ft Twist Lock Cord	41154
20d	JZ202SP63	2hp 2 Speed Pump w/6' Standard Plug	41153
21	63061-01	Union Adapter Kit	60048
22	63056-01B	Pump Lid and Lock Ring w/O-ring	677982
25	63058-01	Pump Basket	60046
26a	63008-01	Impeller (1hp&1.5hp)	60037
26b	63008-02	Impeller (2hp)	60038
27a	63007-01	Diffuser (1hp&1.5hp)	60034
27b	63007-02	Diffuser (2hp)	60035
28	63006-01	Diffuser Seal	60033
29	63001-01	Drain Plug w/O-ring	60032
30a	63010-01	Seal Plate O-Ring	60040
30b	6301-02	Seal Plate	904859
34	65034-01	JCZ JZ Wet end Housing	677979