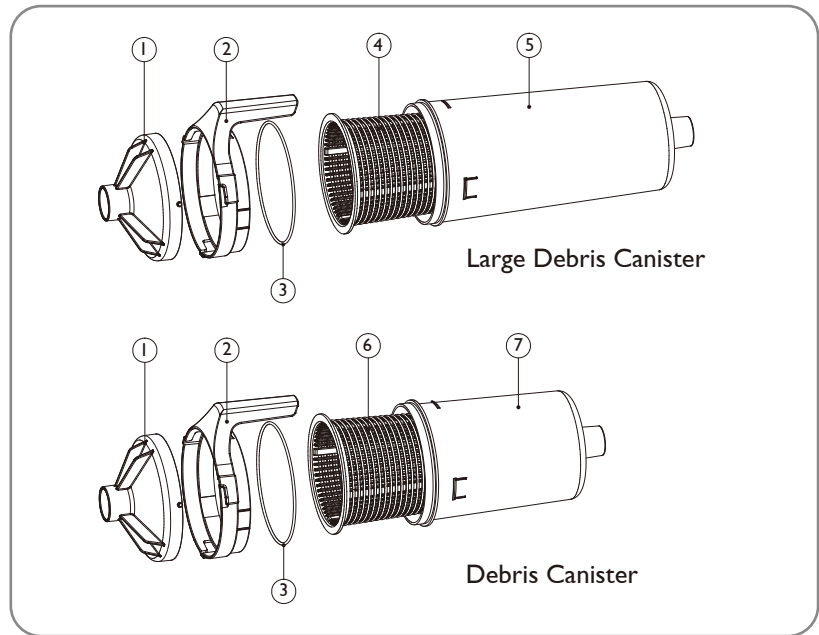


Jacuzzi®

JDC, JDC+ Debris Canister Operator's Manual

Part List:

1. Lid
2. Handle Ring
3. Viton™ O-Ring
4. Large Basket
5. Large Body
6. Small Basket
7. Small Body

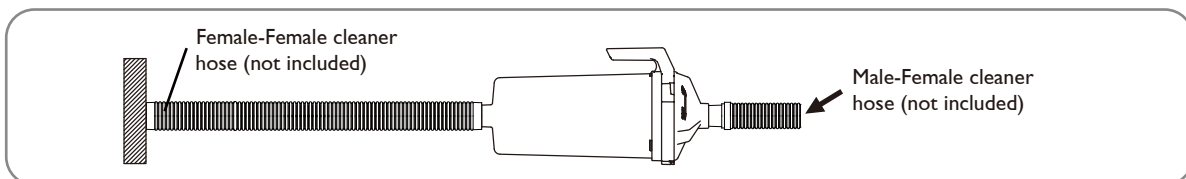


How to use your Debris Canister

1. Turn off pump.

2. For standard cleaner hoses:

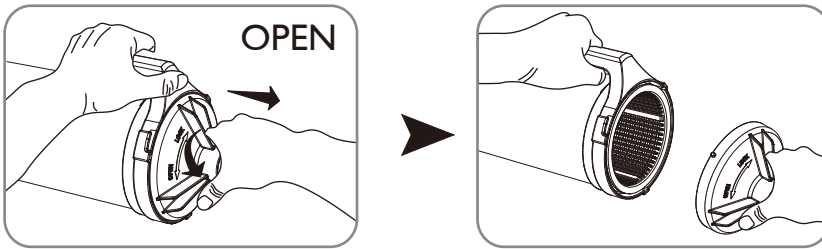
- Connect female-female pool cleaner hose to bottom end of Debris Canister and connect the other end of hose to skimmer or suction fitting.
- Submerge the canister to remove the trapped air.
- Connect male-female pool cleaner hose to lid of Debris Canister and connect the other end of hose to automatic pool cleaner. Canister should be connected between the first and second hose sections from the pool wall.



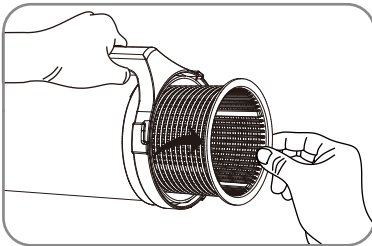
3. Start pump and follow procedure for vacuuming pool.

How to clean the basket of your Debris Canister

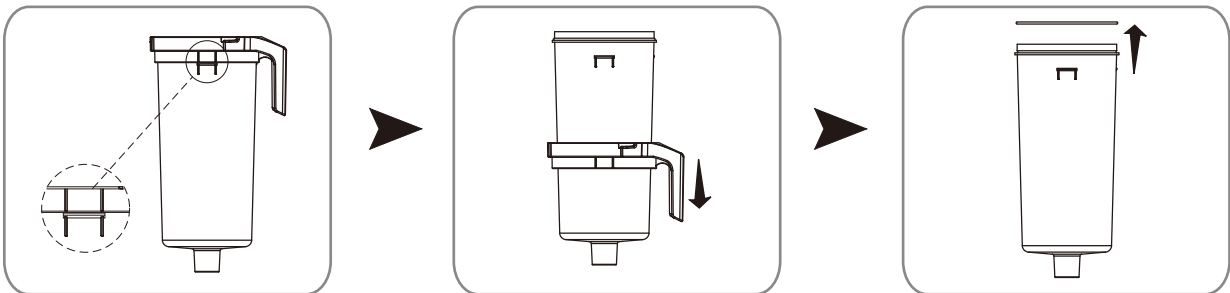
1. Turn off the pump.
2. Disconnect the hoses.
3. Hold the handle, and turn the lid in “open” direction to take off the lid.



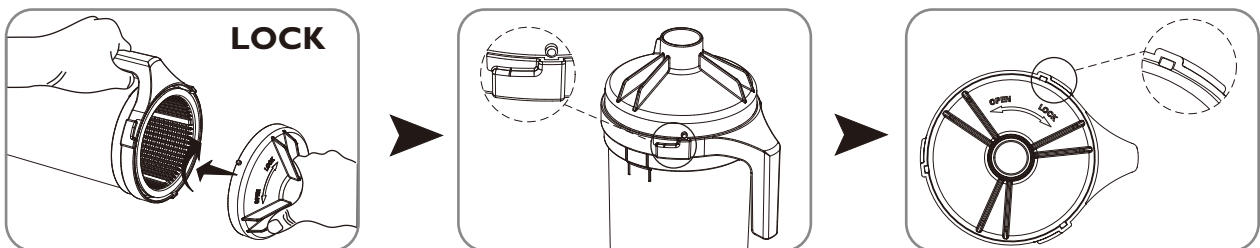
4. Take out the basket from the body.



5. Check O-Ring on Canister body and clean or replace as necessary as in pictures below.
Lubricate with non-petroleum based lubricant.



6. After cleaning the basket, put the basket into the body. Align three points of lid to the three slots of handle ring and lock it with “lock” direction.



One Year Warranty

All parts except the Viton™ O-Ring (#3), Large Basket (#4), Small Basket (#6) are covered by a One Year Warranty.



www.jacuzzi.com