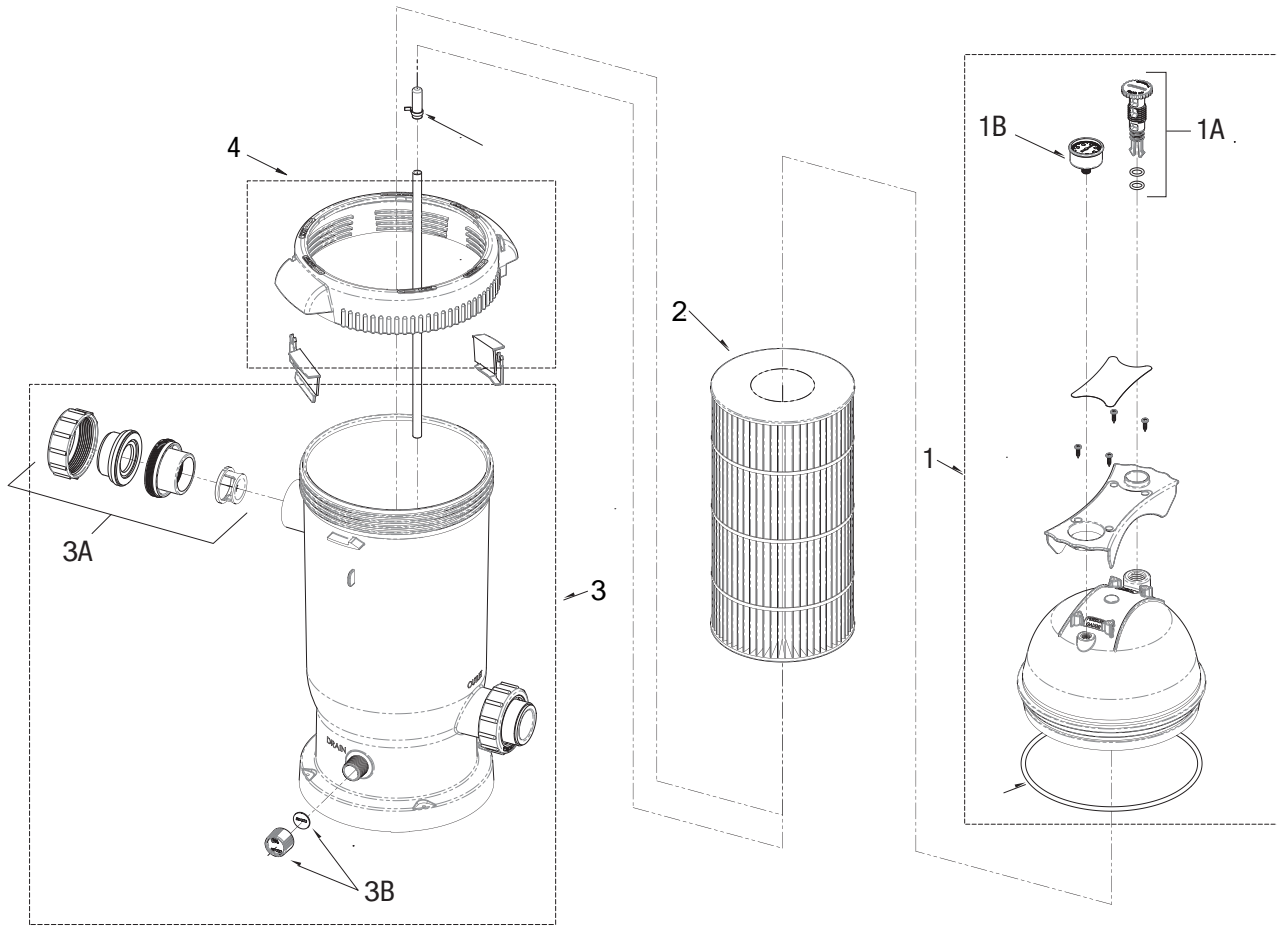




# Jacuzzi JCF150 150 Sq. Ft. Cartridge Filter



Key	Description	Mfg #	Leslie's Sku
1	Filter Lid and Handle Assembly	550-0629-LE	677828
1a	Air Relief Valve w/o'ring	600-0220	903425
1b	Pressure Gauge	75032	677511
2	Filter 150sqft	----	45023
3	Body & Lock Ring Assembly	550-0601B	677867
3A	2 1/2" union 2stp gasket reduce	400-5961-2B	677868
3B	Drain Cap w/gasket	550-0260	370356
4	Lock Ring Assembly	550-0701B	370245