

Jacuzzi®

COMET

Robotic Pool Cleaner

Operating Manual



Safety and Warnings	2
Specifications	3
Prior to Installation	4
Installing Your Cleaner	5
Cleaner Maintenance	9
Helpful Tips	11
Troubleshooting	12
Warranty	13



2 SAFETY AND WARNINGS

IMPORTANT PRECAUTIONS - Read Prior to Use

1. This model applies to swimming pools with flat floors.
2. This model applies to small pools that are compatible with the cleaner's cable length. Cleaner may be pulled upside down while working in larger pools.
3. **DO NOT** power on the unit when it is outside of the water.
4. Ensure the power cord is connected to a leakage protective device and appropriate earth socket.
5. **DO NOT** operate the cleaner while people are in pool.
6. **DO NOT** attempt to move floaters along the electric cable. Always leave floaters in their original positions.
7. **BEFORE POWER ON**, ensure the cable is fully released to avoid any winding, which could affect the cleaner's performance or cause damage.
8. Clean the filter tray after each use. A dirty filter tray will affect the normal operation of the cleaner.
9. Cleaner should be stored in cool, ventilated storage, away from direct sunlight.
10. Power supply unit should be placed in a shaded area. To avoid overheating and potential damage of components, never cover the power supply unit.
11. Only authorized personnel should open the cleaner's motor assembly and power supply unit. Failure to comply will void warranty.
12. To avoid accidents or damage, the power supply unit should be steadily placed at a minimum distance of 3.5m (appr. 12 ft) from the pools edge.
13. **DO NOT** use the cleaner beyond the working environment/conditions stated in this manual.
14. **DO NOT** uncover the button film on the power supply unit.
15. Close the filtering system of your pool while cleaner is in use.
16. Ensure the power unit is properly positioned for the cleaner to cover full pool surface.
17. For safe operation, the cleaner works on DC 24V

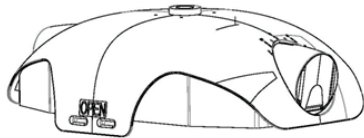
CONGRATULATIONS

Congratulations on your purchase of the Jacuzzi® Comet Robotic Pool Cleaner, an innovative and highly efficient pool cleaner. Through its advanced computer-controlled program, the Comet can clean the pool floor automatically without draining pool water, while also filtering and ridding your pool of particles and sediments.

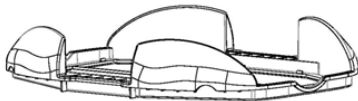
⚠️ PRIOR TO USE: Ensure the cleaner corresponds to your local voltage and frequency (Hz)

Rated Input Voltage and Frequency	110V/60Hz
Output Voltage	DC24V
Rated Output Power	150W
Working Cycle	1h/1.5h/2h
Cable Length	39.37ft (12m)
Maximum Cleaning Area	646 sqft (60m ²) (for 12m cable in rectangle pool)
Filtering Capacity	5283 gal / (20m ³ /h)
Filter Density	180 μm
Water Temperature Of Use (For Cleaner)	10°C - 35°C / 50°F - 95°F
Creeping Speed	65.66 ft (20m)/min
IP Grade	Cleaner-IPX8 -- Power supply unit-IPX5
Working Environmental Temperature (For Power Unit)	10°C - 40°C / 50°F - 104°F
Maximum Pool Depth	6.56 ft/2m
Climbing Slope	Maximum 25 Degree

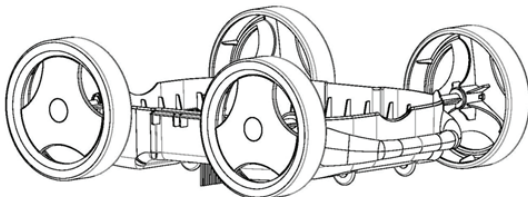
CLEANER STRUCTURE:



TOP COVER



FILTER TRAY



CHASSIS

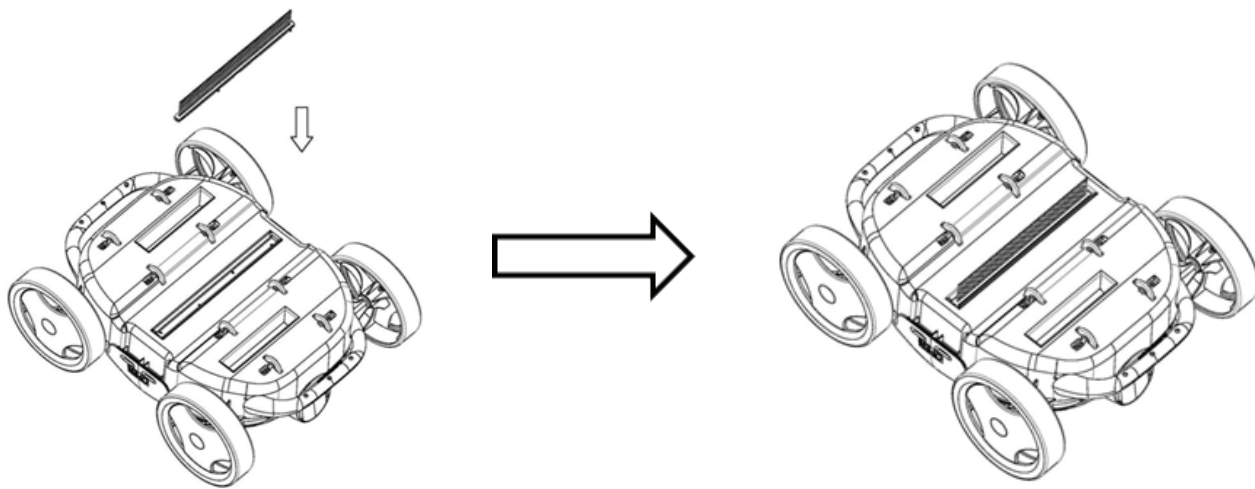
4 PRIOR TO INSTALLATION

Carefully read and follow all instructions contained in this operating manual. Failure to do so may cause injury, inhibit the operation of the pool cleaner, or damage your pool.

This cleaner was not designed to be the first clean at the beginning of the season. If you have a vinyl pool, check for wear and tear, creases in the vinyl, or any obstructions under the liner. If your pool has any of the previously mentioned defects, please consult a pool professional prior to use of cleaner. Pool must be cleaned of algae or debris prior to the cleaner's first use.



PRIOR TO USE: Install the brush before use to avoid possible dirt leaks.



PREPARING YOUR POOL:

1. Make sure the chemical balance in your pool water is correct.
2. Brush your pool and let any debris settle.
3. Vacuum your pool using a manual vacuum cleaner. Your pool should be free of heavy debris and algae prior to first use. It is not meant for initial pool start-up or opening.
4. Clean your pool filter, skimmer basket, and pump strainer basket.
5. Close the pool main drain (if your pool has one).

CHECK CONTENTS:

ITEM	NAME	QUANTITY
1	Cable	1
2	Power Supply Unit	1
3	Manual & Certificate	1
4	Brush	1
5	Safety Rope	1

I.1 CABLE CONNECTION

I.1.1 Plug the cable line into the socket on the power supply unit

NOTE: Be sure to plug it in the correct direction and position, and fasten the nuts on both sides of the plug.

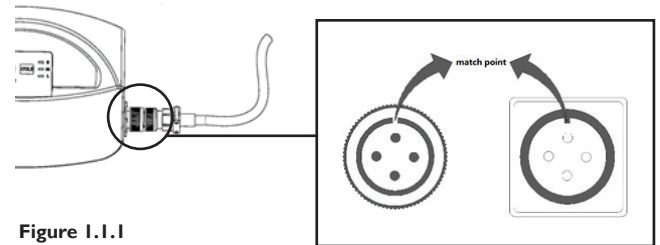
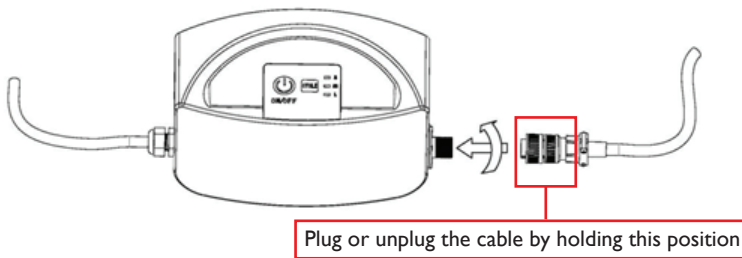


Figure I.1.1

I.2 OPERATING PANEL

I.2.1 Plug the operating panel into a secure power socket

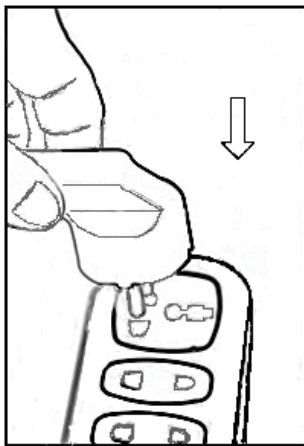


Figure I.2.1

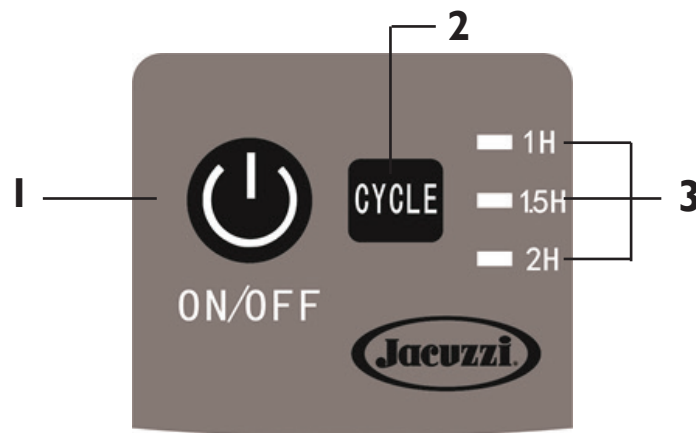


Figure I.2.2
See Table I.2.1

I.2.2 The operating panel contains three (3) primary features - the ON/OFF Button, the CYCLE Button, and the CYCLE INDICATORS. Please refer to Table I.2.1 on page 6 for a detailed guide on these features.

6 INSTALLING YOUR CLEANER

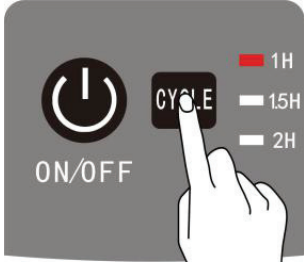
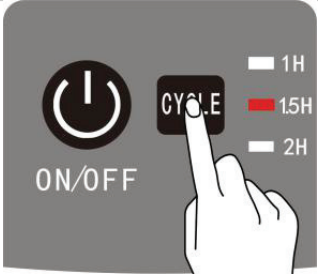
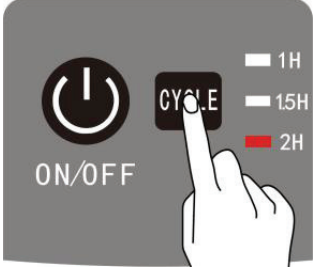
Item	Name	Function	Detail
1	ON / OFF	Power on or off	Power on or off
2	CYCLE		<p>“1H” –1-Hour Cycle</p> <p>Direction of travel reverses every 20 seconds. Suited for small pools.</p>
			<p>“1.5H”--1.5-Hour Cycle</p> <p>Direction of travel reverses every 25 seconds. Suited for medium pools.</p>
			<p>“2H”-- 2-Hour Cycle</p> <p>Direction of travel reverses every 35 seconds. Suited for large pools.</p>
3	INDICATOR		All indicators flash once cycle is completed.

Table I.2.1

I.3 FUNCTION & ADJUSTMENT OF NOZZLE

I.3.1 The COMET features two nozzles, one of which opens while the other closes. Water flows out through the opened nozzle to drive the cleaner forward. Adjust the direction of travel by rotating the nozzle.

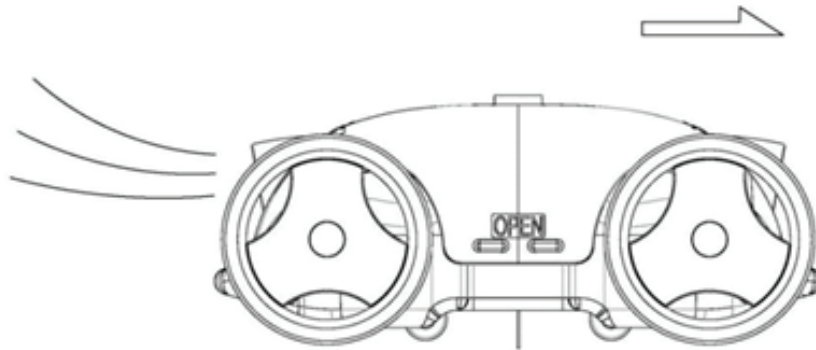


Figure I.3.1

I.3.2 The nozzle may be adjusted based on the desired route of the cleaner.
Cleaner will move in a straight line when nozzles are positioned at 0°.
Cleaner will move in an arc when set up to 0° to 60°.

NOTE: While the COMET will clean freeform pools, some manual cleaning may be required for harder-to-reach places.

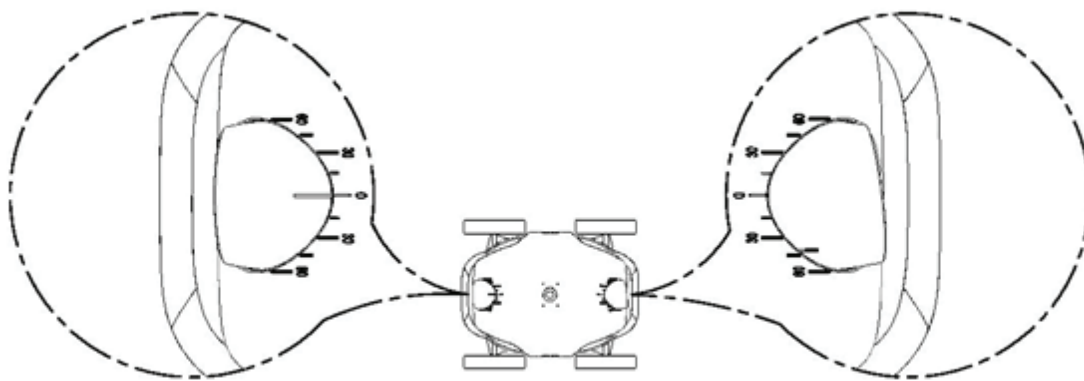


Figure I.3.2

8 INSTALLING YOUR CLEANER

1.3.3 Recommended cycle and nozzle settings:

Nozzle Setting	Moving Path
0°/45°	
0°/30°	
0°/60°	
30°/30°	

I.4 BRUSH INSTALLATION

I.4.1 Align the hooks on the bar with the holes on the underside of the cleaner as shown. Press each hook into the holes until they are secured.

To release the line of bristles, press on the hooks to release them from the hole.

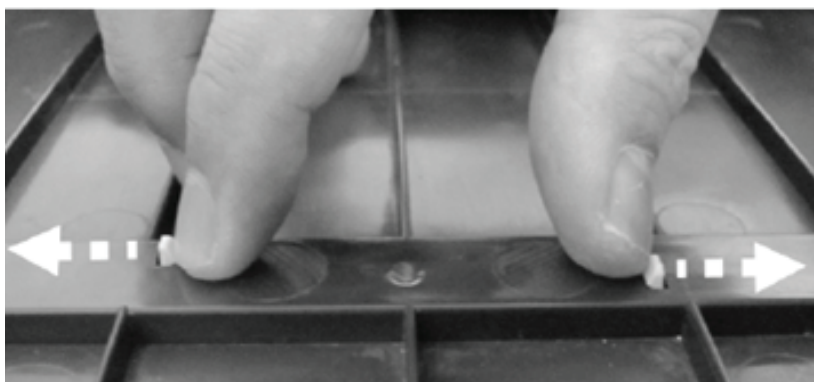
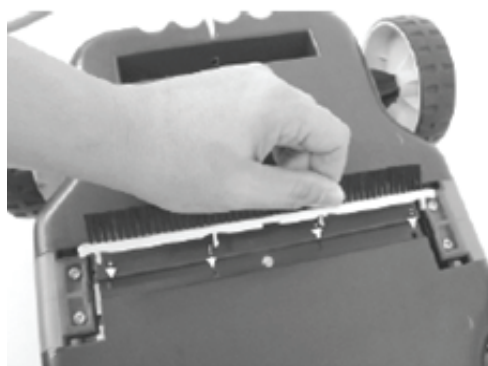


Figure I.4.1

I.5 PLACING & REMOVING CLEANER FROM POOL

I.5.1 With one hand, firmly grasp the cable approximately 2 ft of length from cleaner. With the other hand, firmly grasp cleaner handle. Gradually submerge cleaner into pool while slowly guiding cleaner to the bottom of the pool.

⚠ IMPORTANT: To avoid damage to cleaner, do not drop cleaner into pool without controlling its rate of descent.

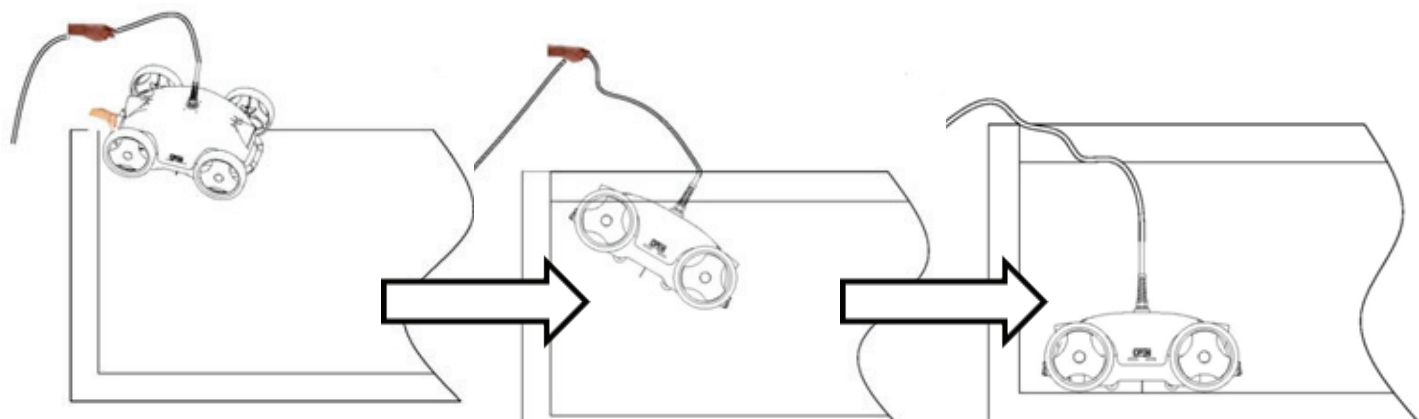


Figure I.5.1

TO REMOVE: Slowly pull the COMET from your pool by the cable, ensuring the wheels of the cleaner are facing the walls of your pool. Grasp the handle of the cleaner and allow water to fully drain.

9 CLEANER MAINTENANCE

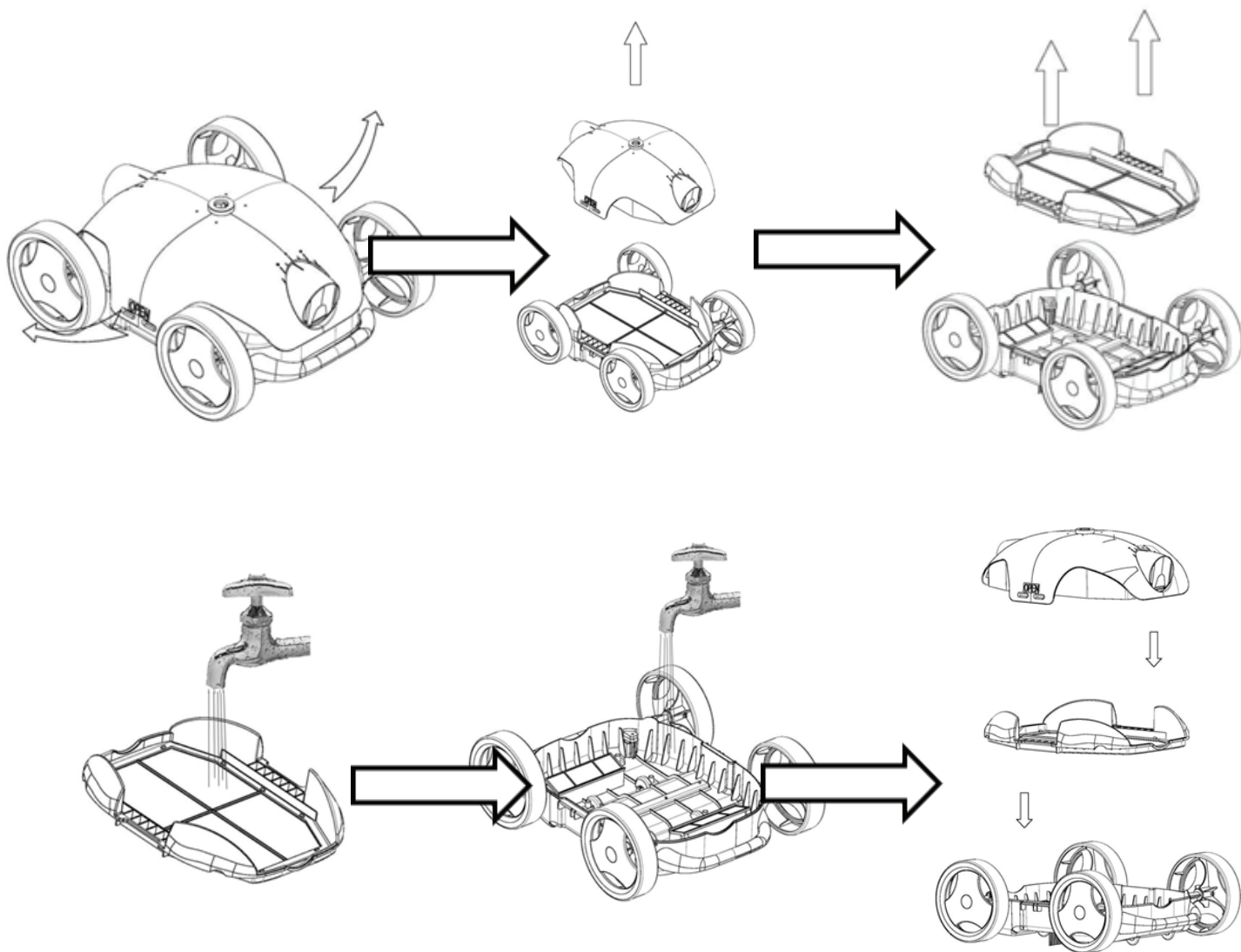
2.1 CLEANING THE FILTER TRAY

2.1.1 To clean the filter tray, open the cleaner from both sides by unlatching the top cover.

Remove the filter tray.

Clean the filter tray with a steady stream of warm water.

Reassemble the cleaner when finished.



2.2 REPLACING THE FILTER NET

2.2.1 To replace the filter net, press buckle to disassemble.

Replace filter net and press to reassemble

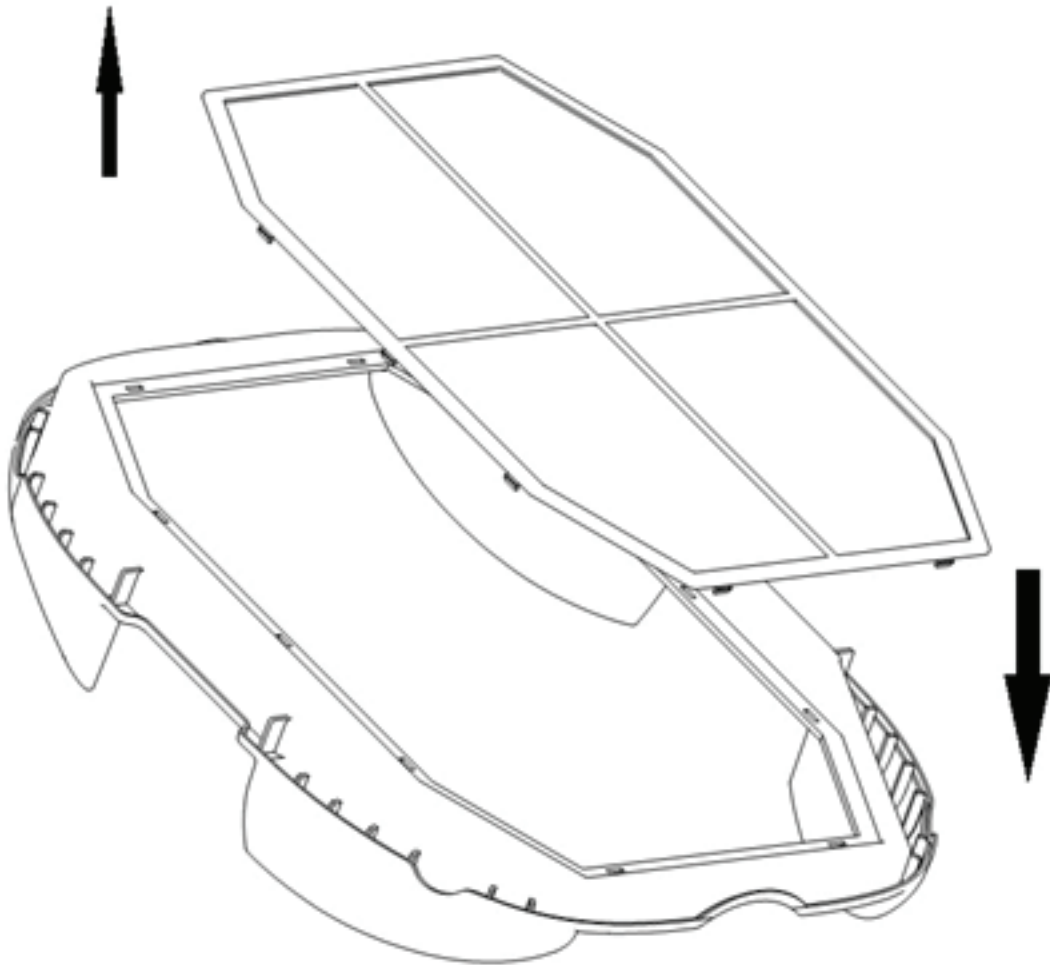


Figure 2.2.1

HELPFUL TIPS

3.1 SWEEPING MODE

3.1.1 For optimal cleaning performance, direct nozzle parallel to pool surface so that jet stream does not disturb uncollected debris.

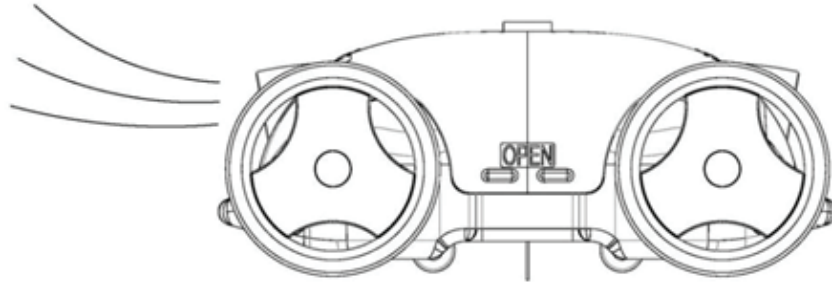


Figure 3.1.1

3.1.2 Sweeping mode may be utilized in freeform pools in conjunction with main filter system to clean hard-to-reach areas of pool.

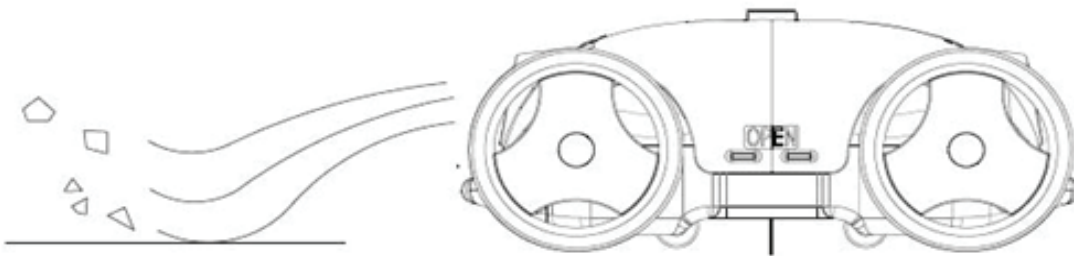


Figure 3.2.1

3.2 HELPFUL HINTS

1. Unplug power connection immediately after use (Do not do with wet hand or bare feet).
2. While removing cleaner from pool, avoid damage to pool walls by ensuring wheels are facing the wall. Avoid scratching or dragging cleaner against walls.
3. Before completely removing cleaner from pool, allow water to drain from cleaner for 10-15 seconds.
4. Slowly pull cleaner from pool with cable, then grasp cleaner handle to fully remove from pool.
5. Clean pool with pump & filter before using the Jacuzzi Comet. If pool is heavily contaminated, use main filtration system before using cleaner.

Symptom	Possible reason	Corrective action
Cable twists or coils up	Cable not fully released	Unplug power line and release cable
	Nozzle in extra angle	Adjust water outlet into proper angle
	Obstruction in pool	Remove obstruction in pool
	Stuck on main drain outlet of the pool	Turn off pool filter system
Cleaner does not reach all pool area	Power supply unit improperly positioned	Place power supply in proper position so that cleaner can reach all area
	Nozzle in improper direction	Adjust nozzle into proper direction
	Customized pool shape	Adjust the nozzle to lead to bigger moving radius
	Pool filter system and pump open	Turn off pool filter system
	Cable not long enough in pool	Release cable
Cleaner does not work	Power cord not connected well	Plug power cord and cable line
	Damaged during transportation	Contact local vendor
	Cleaner does not match local rated voltage	Contact local vendor
Staying on outside of pool	Improper nozzle setting	Try to adjust nozzle position

Jacuzzi®

COMET

Robotic Pool Cleaner

Warranty:

Before using the cleaner, review the owner's manual completely. Failure to read the owner's manual completely could result in pool damage caused by an improper installation of the cleaner. This product has passed all quality control and safety tests conducted by the technical department of the factory. Warranty extends only to manufacturing defects and does not cover any damage resulting from mishandling of the product by the owner. This warranty is void if the product has been altered, misused, or has been repaired by unauthorized personnel. Warranty period is one (1) year from date of purchase. Warranty covers the motor kit and the PCB. Proof of purchase must be provided for any claim or repair during the warranty period.

For questions about the Jacuzzi Comet, or for warranty assistance, please contact Jacuzzi Support at 1-844-615-8994 or via email at questions@jacuzzi.com.



www.jacuzzi.com