

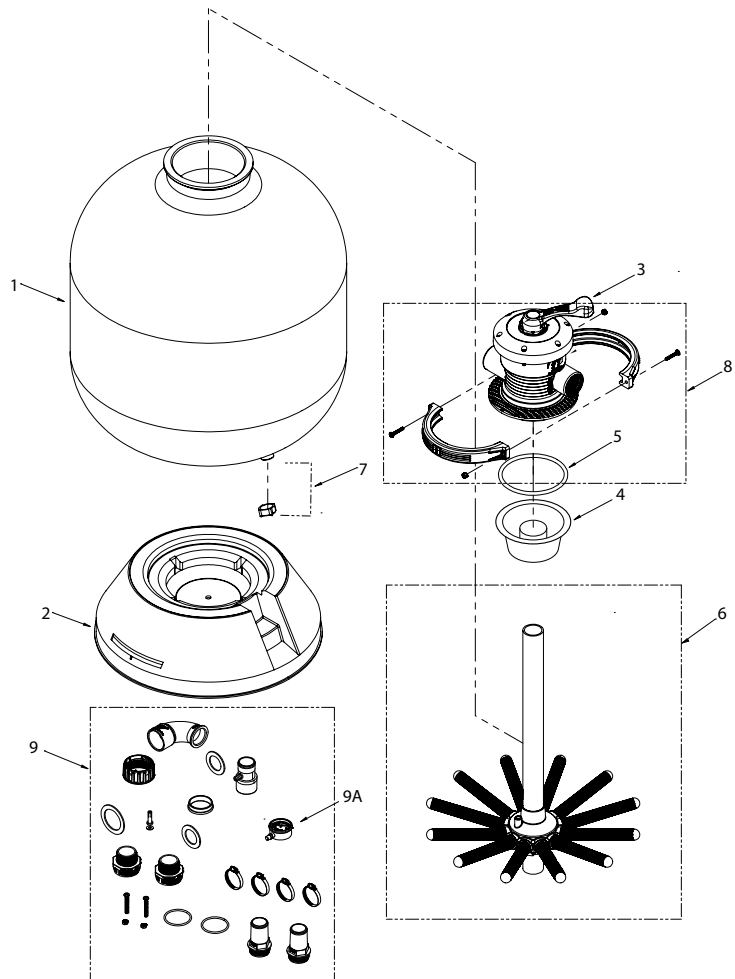


JSF26 HIGH RATE SAND FILTER

SAND FILTER PARTS LIST



Item	Part No.	Description
1	830-0259-BEI	26" Sand Filter Oval Body, Beige
2	672-7211	Filter Base
3	WVS003-01B-LE	1½" Valve Assembly
4	502-2011	Sand Fill Guide 1½"S
5	805-0435	O-Ring Custom 1½" Valve 5.621D x .335
6	505-2280-OB	Manifold 1½" Valve S'Assy
7	831-0010	Drain Cap Assembly
8	872-0046	Clamp Assembly, with Hardware
	- 820-0013	Nut (2)
	- 819-0015	Screw (2)
	- 505-1501	Collar Clamp (2)
9	400-9971-LE	Fitting Package
9A	WS002	Pressure Gauge



INSTALLATION

Jacuzzi® Sand Filters are the latest in pool filter technology. The oval tank design evenly distributes the pressure resulting in greater strength and longer life.

1. Open box and remove Filter and Multi-Port assembly.
2. Make sure Lateral Assembly, #6, is centered on the bottom of the filter body
3. **Important:** To prevent damage to internal filter lateral components, Add approximately 10 gallons of water prior to adding sand. With Sand Fill Guide positioned in filter tank opening, add 300 lbs of recommended #20 grade silica sand. Remove Sand Fill Guide. **Important:** Clean and remove all debris from filter tank flange after adding sand.
4. Install Multi-Port valve. Top of internal sand pipe seats directly into Multi-Port Valve. Push Multi-Port Valve evenly onto tank flange.

Note: Make sure tank flange is clear of any sand debris.

CLEANING

Note: When pressure gauge reading is 5 PSI or higher than original starting pressure, the filter needs to be cleaned (backwashed). The Jacuzzi® Sand Filter System features our exclusive 7-Position Multi-Port Valve, which ensures safe and simple filter maintenance.

! **Pressurized vessel. Never attempt to loosen or open Multi-Port Valve Clamp while system is running. It could cause severe injury or harm to user.**

1. Turn off pump.
2. Attach backwash hose (optional) to waste port adapter.
3. Rotate Multi-Port Valve handle to Backwash position, turn pump on and run for 90 second intervals or until discharge water is clear. Turn pump off.
4. Rotate Multi-Port Valve handle to rinse position. Turn pump on for 30 seconds.
5. Repeat steps 3 & 4 until all discharge water is clear while pump is turned on.
6. Turn pump off. Rotate Multi-Port Valve handle to Filter position. Turn pump on. Valve is now in normal operating position.

! **WARNING: NEVER CHANGE VALVE POSITION WITH PUMP RUNNING!**

WINTERIZATION

1. Backwash filter system completely (follow cleaning instructions).
2. Run a filter cleaning chemical through filter system.
3. Turn pump off.
4. To drain water, remove drain cap from bottom of filter tank.
5. Follow manufacturer instructions for winterizing the pump.

TROUBLESHOOTING

Inadequate Filtering:

- Sand Level Too Low
- Inadequately Cleaned System
- Excessive Dirt Load
- Chemical Imbalance
- Inadequate System Pressure

No Water Flow:

- Obstruction of Suction or Return Line
- Clogged Impeller
- Suction System Air Leaks
- Valve Closed (If installed)
- Clogged Hose Fitting
- Clogged Basket
- Dirty Sand

