

# Multiport Valves

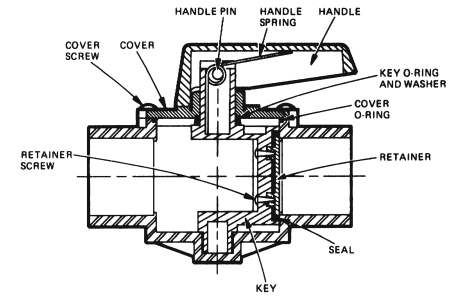
REPLACEMENT PARTS (continued)



## Cat. No. SP0733 Series Dial-A-Flo Valves

Part No.	Description	Ctn. Qty.
SPX0733D	Handle	10
SPX0733H	Handle Pin	10
SPX0733J	Handle Spring	10
SPX0733B	Cover with Label	10
SPX0733Z3A	Cover Screw (Set of 8)	10
SPX0733Z2A	Cover O-Ring with Washer and Spacer	10
SPX0733Z1A	Key O-Ring with Washer and Spacer	10
SPX0733E	Seal	10
ECX1019	Retainer Screw	20
SPX0733CA	Key and Seal Assembly with O-Ring	5
SPX0733BA	Key, Seal, Cover and Handle Assembly	5

## SP0733S



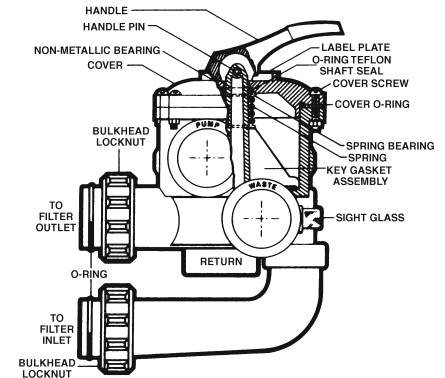
## Cat. No. SP0727 Perflex Diverter Valve (Not Illustrated)

Part No.	Description	Ctn. Qty.
SPX0727D	Handle	10
SPX0733H	Handle Pin	10
SPX0727J	Handle Spring	10
SPX0727K	O-Ring, Cover	10
SPX0733Z3A	Cover Screw (Pkg. of 8)	10
SPX0727H	Seal	10
SPX0733Z1	O-Ring (Key)	10
SPX1483C	O-Ring (Union)	10
SPX0727E	Union Nut	10

## Cat. No. SP0740DE 2" Selecta-Flo™ Valve

Part No.	Description	Ctn. Qty.
SPX0710FL	Handle, Large	10
SPX0710XZ7	Handle Pin	10
SPX0710Z16	Non-Metallic Bearing (Pack of 5)	50
SPX0740B	Cover	10
SPX0710Z1A	Cover Screw with Nut (Set of 6 each)	10
SPX0715Z1	Cover O-Ring	10
SPX0603S	Spring	5
SPX0704HA	O-Ring/Teflon Shaft Seal	25
SPX0710Z62	Spring Washers (Set of 2)	25
SPX0740D	Valve Seat Gasket	10
SPX0740C	Key/Stem Assembly	10
SPX0740BA	Key, Cover, Handle Assembly	10
SPX0740AA	Valve Body with Gasket and Sight Glass – with Tank Pipes and Locknuts	1
SX200Z4	O-Ring (Valve Horn)	10

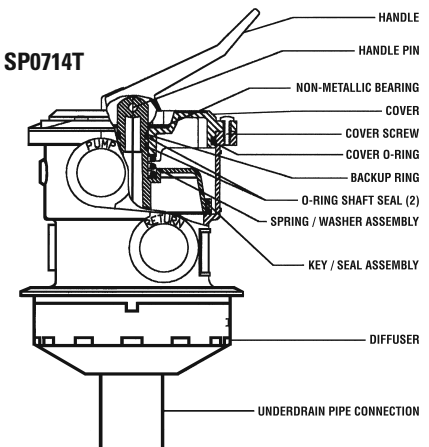
## SP0740DE



## Cat. No. SP0714T Vari-Flo™ XL Valve

Part No.	Description	Ctn. Qty.
SPX0710XF	Handle	10
SPX0710XZ7	Handle Pin	10
SPX0710Z16	Non-Metallic Bearing (Pack of 5)	50
SPX0714G	Valve Position Label	50
SPX0714BA	Key, Cover and Handle Assembly	5
SPX0714Z1	Cover Screw (Set of 6)	10
SPX0714L	Cover O-Ring	10
SPX0735GA*	O-Ring Shaft Seal Assembly	10
SPX0710Z62	Spring Washers (Set of 2)	25
SPX0714CA	Key/Seal Assembly	10
SPX0714D	Diffuser	1
SPX0714A	Valve Body with Gasket and Sight Glass	1

## SP0714T



NOTE: \*Two required for each valve.

**HAYWARD**