

Excursion

ABOVE GROUND POOL

ROUND SLAT

INSTALLATION MANUAL

95-0734

ABOVE GROUND POOL SAFETY

PLEASE READ BEFORE INSTALLATION



WARNING

FAILURE TO HEED THESE WARNINGS CAN RESULT IN PERMANENT INJURY, PARALYSIS FROM A BROKEN NECK, ELECTROCUTION OR DROWNING. THIS POOL IS NOT DESIGNED FOR DIVING OR JUMPING! DANGEROUS INJURY CAN RESULT, SHALLOW WATER!

Carefully read, understand and follow all information in this user manual before installing and using the swimming pool. These warnings, instructions and safety guidelines address some common risks of water recreation, but they cannot cover all risks and dangers in all cases. Always use caution, common sense and good judgement when enjoying any water activity. **RETAIN THIS INFORMATION FOR FUTURE USE.**

Your pool contains a large quantity of water, and is deep enough to present inherent dangers to life and health unless the following safety rules are strictly observed. First-time users run the highest risk of injury. Make sure everyone understands and encourage all users especially children to learn how to swim. Learn Basic Life Support (Cardiopulmonary Resuscitation-CPR) and refresh this knowledge regularly. Instruct all pool users, including children, what to do in case of an emergency. Keep a working phone and a list of emergency phone numbers near the pool. This can make a life-saving difference in the event of an emergency. To insure your pool is used safely you **MUST** observe the following safety precautions:

1. NO JUMPING OR DIVING

The top rail of your pool is not a walkway and must not be used for jumping or diving. Do not permit jumping or diving into the pool from a deck or the top rail of the pool. Diving or jumping into the pool can result in serious injury.

2. NEVER USE THE POOL ALONE

Never permit the pool to be used unless it is attended by at least one person other than the bather. Someone should always be available to lend assistance in an emergency. Designate a competent adult to supervise the pool each time it is being used. Vigilant supervision of weak swimmers and non-swimmers by a competent adult is required at all times, remembering that children under five are at the highest risk of drowning.

3. NEVER LEAVE CHILDREN UNATTENDED

Never leave a child alone and unsupervised in or near the pool—not even for a second. There is no substitute for constant adult supervision.

4. NO ROUGH PLAY

Do not permit "rough-play" in and around your pool. Surfaces can become slippery and hazardous when wet.

5. LIGHT THE POOL AT NIGHT

If the pool is used after dusk, adequate lighting must be provided. Illumination in the pool area must be sufficient to clearly judge pool depth and all features in and around the pool. For lighting recommendations, consult your local licensed electrical contractor

6. RESTRICT ACCESS TO THE POOL

Do not leave chairs or other furniture beside the pool that could be used by a child to climb up into the pool. Ladders must be removed whenever the pool is unattended. A fence with a lockable gate around the pool or yard is strongly recommended and may be required by law in some jurisdictions. Secure doors and windows, where applicable to prevent unauthorized access to the swimming pool. Remove all toys from the swimming pool and surrounding area when not in use to avoid attracting children to the pool. Barriers, pool covers, pool alarms or similar safety devices are helpful aids, but they are not substitutes for continuous adult supervision.

7. NO ALCOHOL OR DRUGS

Never drink alcoholic beverages, use any intoxicants or medication which could hinder your judgment and reflexes.

8. KEEP YOUR POOL CLEAN AND SANITARY

Your filter system will remove suspended particles from the water and the surface skimmer will remove insects, leaves and other debris from the water surface. Use the correct pool chemicals as directed to destroy harmful bacteria and prevent formation of algae. Remember, unsanitary water is a serious health hazard.

9. KEEP OFF TOP LEDGES

Do not walk on top ledges. They can be slippery and they are not a walkway.

10. POOL COVER SAFETY

The cover must have a tamperproof locking retainer cable that positions the cover around the pool wall and keeps it securely in place. Never allow anyone, especially small children on the cover. Asphyxiation or drowning could result. Be sure to remove pool cover completely from the water surface before entering the pool. When purchasing any pool cover, please consult a swimming pool professional.

11. ELECTRICAL HAZARD

Never touch or attempt to service electrical equipment, including the filter when your body and/or the ground is wet. Electrocution or permanent injury due to high voltage (120V AC) could result. The pool should be bonded in accordance with Section 680-26 of the National Electrical Code. For further assistance contact your dealer or a local licensed electrician. Do not use pool during electrical or rain storms.

12. SAFETY EQUIPMENT

Keep a safety rope 1/4" by 50" with a flotation buoy with an outside diameter of 15". Have accessible in a prominent area by your pool. Keep a pole not less than 16 feet (4.88m) long with a blunt or hook end available at pool side in case of emergencies. Weak swimmers and non-swimmers should wear personal protection equipment when using the pool.

13. POOL CHEMICALS

Store pool chemicals out of the reach of children. Do not place chlorine, chlorine tablets or sticks directly into skimmer, or winterize your pool with liquid chlorine. Damage to the skimmer, pool liner and filter will result. Failure to obey this instruction will void all component warranties. Always follow Chemical Manufacturer's instructions when storing, handling and dispensing pool chemicals.

14. CHECK FOR DAMAGE

Periodically check your pool and ladder components for damage and wear. Be sure all screws are in place. Replace all damaged or worn components and tighten all screws before you use the pool, deck or ladders. At first sign remove rust and touch up immediately.

15. POOL PARTS

Never modify the pool or accessories, or remove or drill holes in the pool, deck or ladder components unless instructed. Your pool wall is made of thin metal, there is an inherent cut hazard with metal so use gloves during installation. Always use Original Equipment Manufactured parts for your replacement parts.

FOLLOW ALL SAFETY INSTRUCTIONS

Read and follow all safety instructions packaged with pool, ladder, deck or any other accessory. Additional pool safety publications can be obtained by contacting: The Association of Pool & Spa Professionals (www.apsp.org)



IMPORTANT NOTICE READ BEFORE INSTALLATION!

The safety stickers must be installed as per following instructions. Failure to properly install warning labels will void warranty. Failure to mount these safety labels may subject you to substantial liability in case of injury. These warnings are not to be removed under any circumstances! If they become discolored or fall off please request replacements which will be sent at no charge.

PLACE SIGN ON LINER ABOVE WATER LINE, OPPOSITE ENTRY TO POOL



PLACE SIGN ON WALL NEXT TO POOL ENTRY

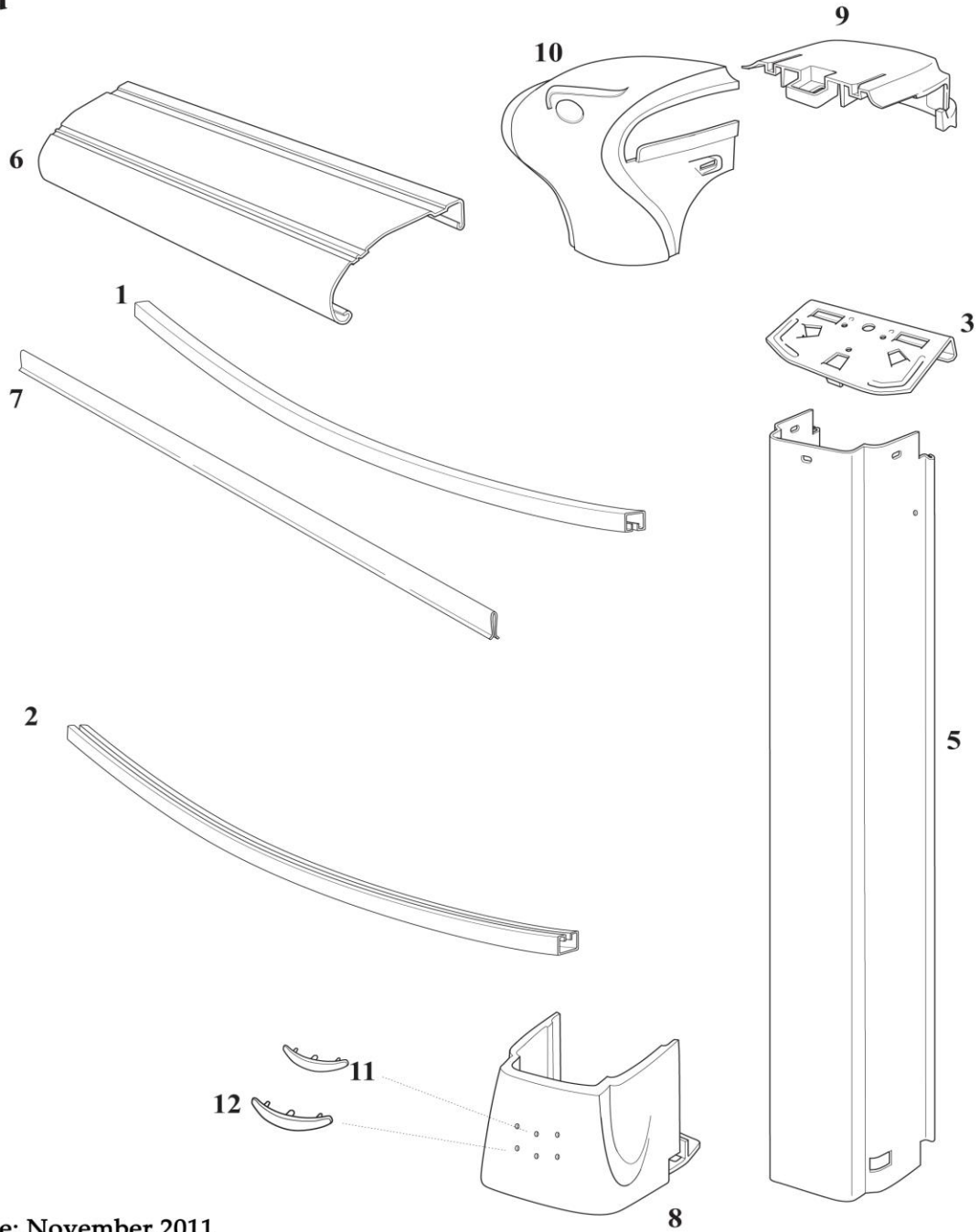


REMEMBER WATCH CHILDREN

Excursion

ZEXR-54SLAT

Round



Effective: November 2011
Cancel all previous

Excursion Round

ZEXR**54SLAT

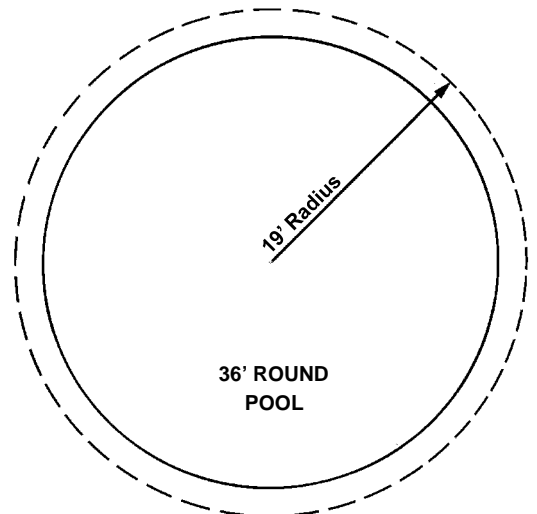
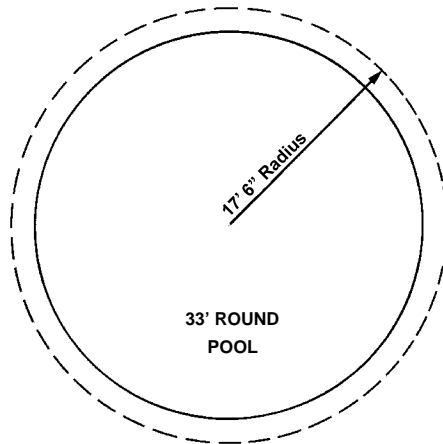
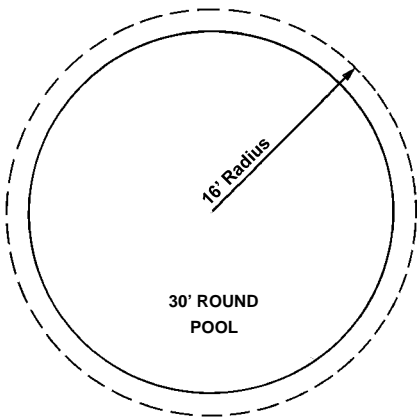
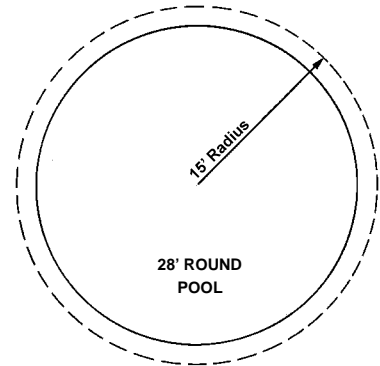
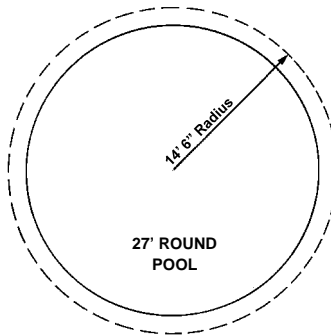
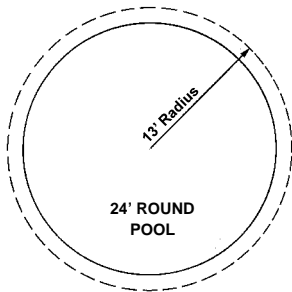
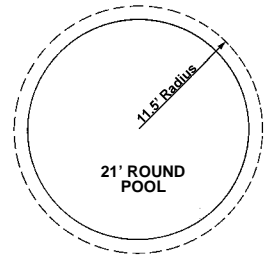
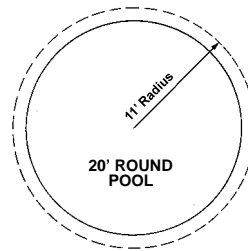
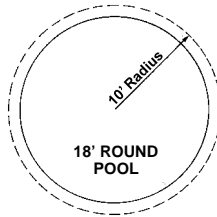
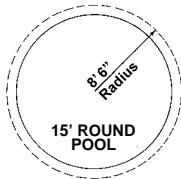
Quantity Required for Installation (by Pool Size)

Index #	Description	Part #	Length	15'	18'	20'	24'	28'
6	Top Rail Curved	29802	51-5/32"	11				
6	Top Rail Curved	29803	51-29/32"		13			
6	Top Rail Curved	29804	49-7/8"			15	18	21
5	Upright	29799	53-13/16"	11	13	15	18	21
9	Top Cap Inner	16300	8"	11	13	15	18	21
10	Top Cap Outer	16301	8"	11	13	15	18	21
8	Bottom Boot	27117	8"	11	13	15	18	21
11	Accent Clip 3-ea for Upright	16356		11	13	15	18	21
12	Accent Clip for Boot	16305		33	39	45	54	63
*	Beaded Liner Track	22650	49"	12	14	16	19	22
3	Top Plate	16298	6-1/2"	11	13	15	18	21
1	Inner Stabilizer	38055	43-7/8"	11				
1	Inner Stabilizer	38056	50"		13			
1	Inner Stabilizer	38067	42-7/8"			15		
1	Inner Stabilizer	38069	42-7/8""				18	
1	Inner Stabilizer	38071	42-7/8"					21
2	Bottom Rail	38054	49"	11				
2	Bottom Rail	38062	45"		13			
2	Bottom Rail	38066	48"			15		
2	Bottom Rail	38068	48"				18	
2	Bottom Rail	38070	48"					21
*	Skimmer Slat	26341	53-13/16"	1	1	1	1	1
*	Return Slat	26342	53-13/16'	1	1	1	1	1
*	Beam Slat	26515	54"	22	22	22	22	40
*	Wall/54 Slat 10 Pack	89123		1	1	1	1	1
*	Regular Slat	26513	54"	115	139	153	186	217
*	Hardware	44-10055		1				
*	Hardware	44-10052			1			
*	Hardware	44-10065				1		
*	Hardware	44-10054					1	
*	Hardware	44-10057						1
*	Hardware	44-10058						1
	Envelope Safety Stickers	95-0007		1	1	1	1	1
	Instructional DVD	38388		1	1	1	1	1

*May not be pictured

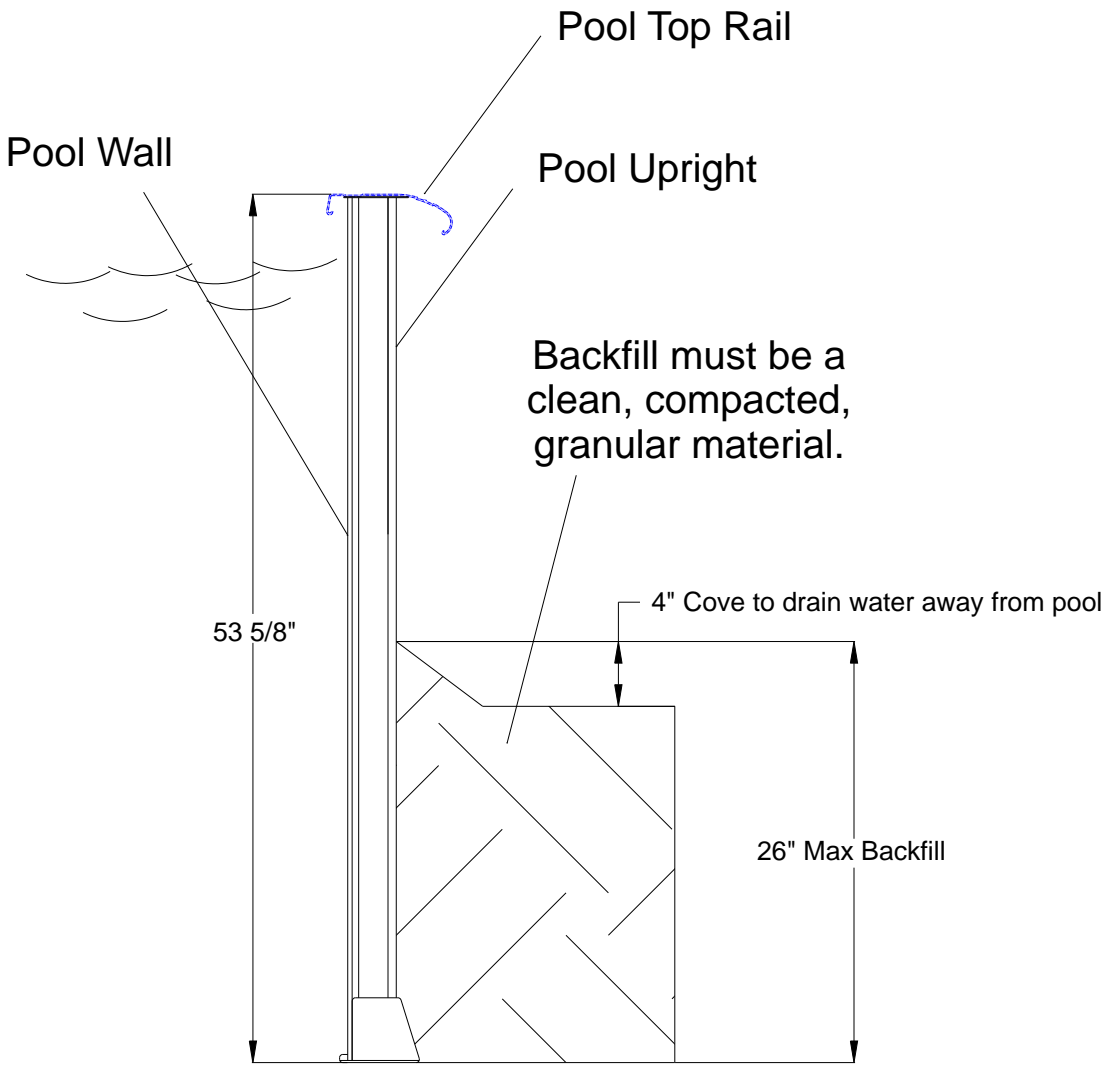
POOL AREA DIMENSIONS (POOL RADIUS PLUS ONE FOOT)

Pool radius means the measurement from the center point of the pool to the pool wall.



Semi-In Ground Installation

The extruded aluminum slat wall pool can be installed semi-in ground. It can go in the ground 26". As shown in the diagram we recommend an earth cove next to the pool wall to drain water away from the pool. Accumulation of water against the outside of the pool wall will cause the pool to cave in and does void the warranty. In the 12 months following the pool installation the home owner must check every-other month for settling of the earth against the pool wall. If there is settling next to the pool water can collect and cause a cave in. The area around the pool must then be graded and filled in around the pool as needed. The pool must never be emptied of water when the earth around the pool is wet, such as following rain or snow melt, as this will also cause the pool wall to collapse and void the warranty.

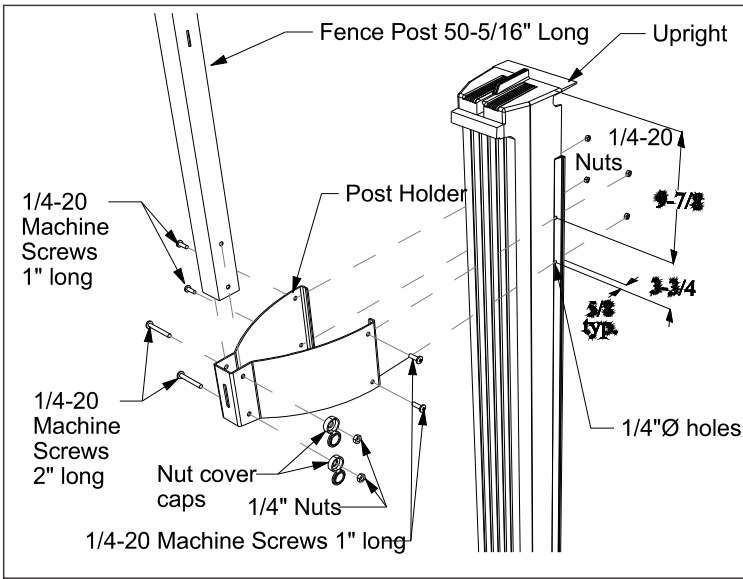


IMPORTANT!

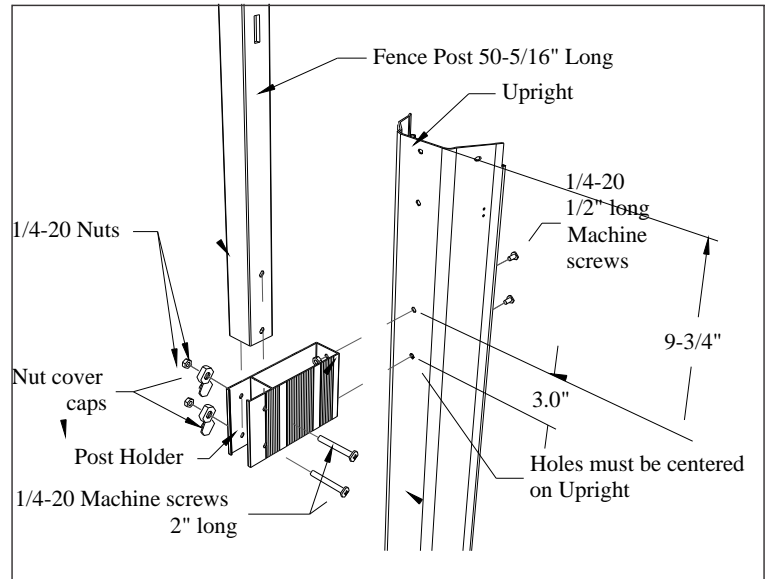
If you are installing a fence on your pool, you will need to install post holders on your uprights **BEFORE** you install the uprights on the pool.

Please refer to your Fence Installation Instructions for details.

Plastic Upright



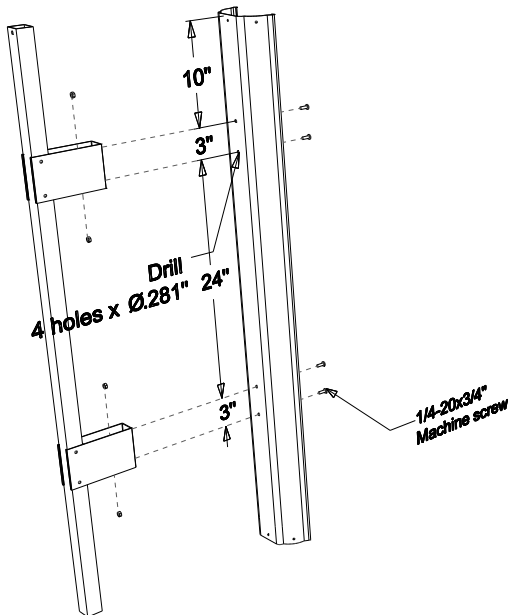
Metal Upright



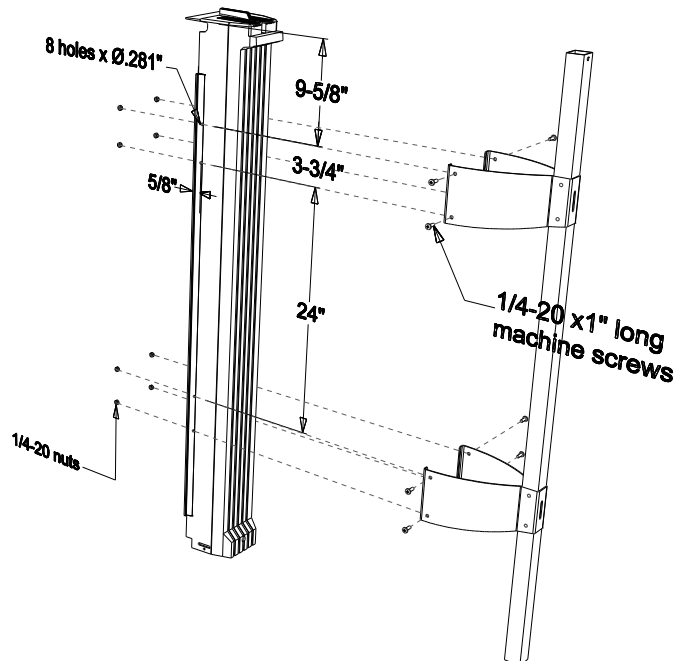
If you are installing a deck on your pool, then part of the deck support system must be installed on your pool uprights **BEFORE** you install the uprights on the pool.

Please refer to your Fence Installation Instructions for details.

Metal Upright

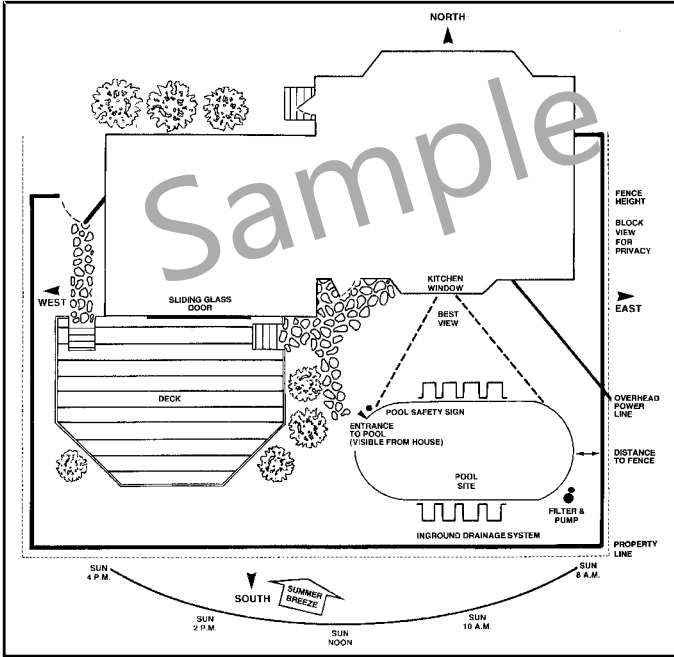


Plastic Upright



STEP 1: POOL LOCATION

Do not locate pool over underground lines, septic tanks, under electrical lines, near hazardous structures, or out of local code restrictions. It is essential that the area selected for your pool has a level and firm base. Do not assemble your pool on asphalt, tar or oil base surfaces. Avoid areas with sharp objects, or ground treated with weed killer or other chemicals. Also avoid areas where nut grass, Bermuda grass or bamboo grass grows, as they can grow through your liner. Grass must be removed. Do not place components such as filters, pumps, and heaters in a way that they can be used as a means of access to pool by young children. Be sure to follow all local building codes and obtain all building permits required for your area.



Plan location of pool views, pool entrance, decks, fences, privacy shields, sun path, breeze direction, shrubs, filters, pumps, skimmer and return plumbing, and in-ground drainage.

Skimmer and return plumbing location should be planned now since this impacts placement of the first bottom plate and supporting patio block. See Step 4 for clarification

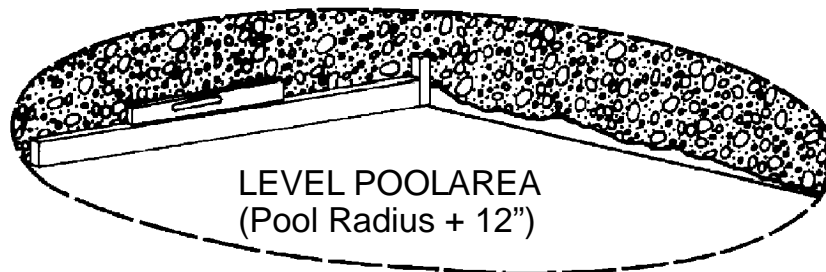
*BE SURE TO AVOID:

- All electrical wires
- All gas lines
- Septic tanks
- Cesspools
- Dry wells
- Tree roots/ stumps
- Buried debris (trees, building material, etc.)
- Sudden slopes within 6' of pool area

STEP 2: PREPARE THE POOL SITE

Determine the pool circumference by putting a stake in the ground at the center of the location desired, and with a line equal in length to the radius of the pool area ($1/2$ the pool size plus 12"), mark off the circumference with a sharp object, lawn edger, white powder or spray paint.

After all of the sod has been removed, you must make the pool area absolutely level as measured by a level or transit, not simply by the naked eye. Find the lowest spot within the pool area and level the ground to that lowest spot. Do not add dirt to the low areas as that will cause settling after the pool is filled with water. It is the high areas that must be dug away. The footing (perimeter) of the pool must be a solid foundation to prevent the pool from settling into dirt that is loosened by rain and water splashing over the side. Be sure to clean the area of all sharp objects, including roots that later effect your swimming pool. For leveling, we recommend that you use a long straight edge board and a carpenters level or transit.



Remove soil and grass from high areas to be equal with the low areas.



Remove grass only from the low areas.

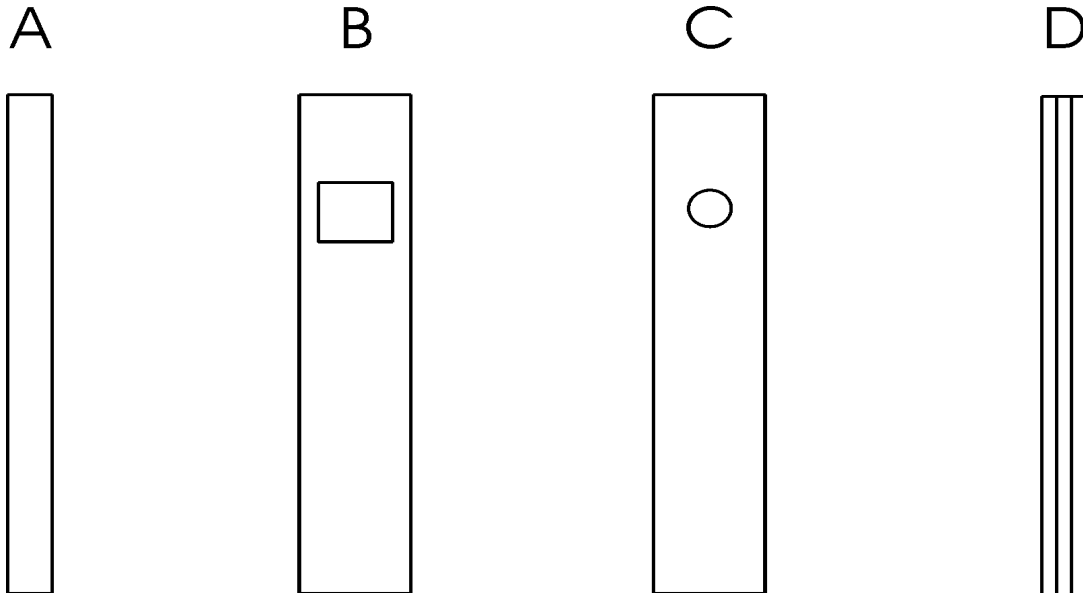
STEP 3A: IDENTIFY SLAT WALL PARTS

Use your pool parts breakdown sheet to separate all pool components, becoming familiar with each part.

Please note that we include five extra slats just in case you have any parts that are damaged in transit or at the job-site. We know how frustrating it can be to stop a job due to a damaged part and we take every precaution to make sure that does not happen.

The wall of your pool has four different types of slats. Please separate the four different types of slats before you begin. The smooth surface of the slat ALWAYS faces in toward the water side of the pool. All ribs and bumps are on the outside, or dry side of the pool. Shown below are the four different types of slats.

VERY IMPORTANT
BE SURE TO IDENTIFY AND SEPARATE THE
DIFFERENT SLATS BEFORE BEGINNING
INSTALLATION.



- A is a regular slat
- B is a skimmer slat
- C is a return slat
- D is a beam slat

STEP 3: IDENTIFY SLAT WALL PARTS continued

This chart will help you finding the right amount of slats to complete your wall.

Slat Wall Pool: Slat Count

Pool Size	Beam Slats	Reg Slats Needed	Parent Wall	Carton #1	Carton #2	Carton #3	Carton #4
8'	22	49	WSLAT54-SMN08	CW54RB-4722B	-	-	-
12'	22	85	WSLAT54-SMN12	CW54RB-4722B	CW54R-38	-	-
15'	22	115	WSLAT54-SMN15	CW54RB-4722B	CW54R-68	-	-
18'	26	139	WSLAT54-SMN18	CW54RB-4722B	CW54RB-6404	CW54R-28	-
20'	30	153	WSLAT54-SMN20	CW54RB-4722B	CW54RB-6408	CW54R-42	-
21'	28	166	WSLAT54-SMN21	CW54RB-4722B	CW54RB-6506	CW54R-54	-
24'	36	186	WSLAT54-SMN24	CW54RB-4722B	CW54RB-6414	CW54R-75	-
27'	36	214	WSLAT54-SMN27	CW54RB-4722B	CW54RB-6414	CW54R-56	CW54R-47
28'	42	218	WSLAT54-SMN28	CW54RB-4722B	CW54RB-6414	CW54RB-6404	CW54R-43
30'	40	238	WSLAT54-SMN30	CW54RB-4722B	CW54RB-6414	CW54RB-6404	CW54R-63
33'	48	258	WSLAT54-SMN33	CW54RB-4722B	CW54RB-6420	CW54RB-8806	CW54R-59
1016	14	110	WSLAT54-SMN1016	CW54RB-4714B	CW54R-35	CW54R-28	-
1217	14	124	WSLAT54-SMN1217	CW54RB-4714B	CW54R-42	CW54R-35	-
1220	16	144	WSLAT54-SMN1220	CW54RB-4714B	CW54RB-5002	CW54R-47	-
1224	18	163	WSLAT54-SMN1224	CW54RB-4714B	CW54RB-8804	CW54R-28	-
1524	16	176	WSLAT54-SMN1524	CW54RB-4714B	CW54RB-5002	CW54R-42	CW54R-37
1526	18	189	WSLAT54-SMN1526	CW54RB-4714B	CW54RB-8804	CW54R-54	-
1530	20	209	WSLAT54-SMN1530	CW54RB-4714B	CW54RB-8806	CW54R-74	-
1833	22	236	WSLAT54-SMN1833	CW54RB-4722B	CW54R-75	CW54R-64	CW54R-50
1840	26	274	WSLAT54-SMN1840	CW54RB-4722B	CW54RB-8804	CW54R-75	CW54R-64
2143	26	291	WSLAT54-SMN2143	CW54RB-4722B	CW54RB-8804	CW54R-86	CW54R-70

STEP 3B: IDENTIFY SLAT WALL PARTS, CONTINUED

There are two different types of tracks, the top tracks and the bottom tracks. They look similar, but they are different lengths. The shorter tracks must go on the top of your pool, and the longer tracks must go on the bottom. Please refer to the chart below to determine the exact length. Track length is measured at its' center by placing a tape measure in the center groove. The bottom track slides into the bottom plate. The top track does not slide into the top plate, it slides over the wall between the top plates.

Top track is installed in between top plates.

It does not overlap or enter top plates



Bottom track is inserted

up to dimple only.

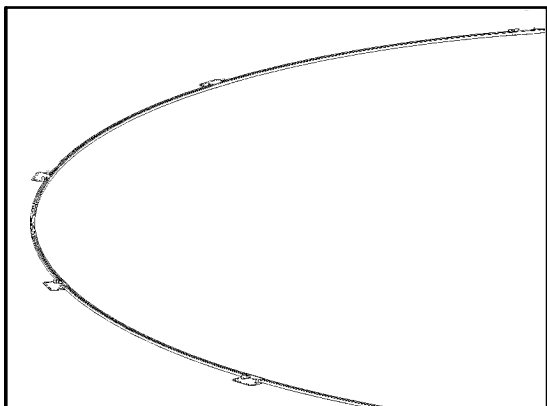


		8'	12'	15'	18'	20'	24'	28'	30'
BOTTOM WALL RIM	Quantity	11	11	11	13	15	18	21	20
	Length	25 1/4"	38"	49"	50"	48"	48"	48"	54 1/8"
	Description	4' 0" RADIUS	5' 6" RADIUS	7' 6" RADIUS	9' 0" RADIUS	10' RADIUS	12' 0" RADIUS	14' 0" RADIUS	15' 0" RADIUS
	Part Number	26503	22625	22626	22627	22628	22629	26466	26467
TOP WALL RIM	Quantity	11	11	11	13	15	18	21	20
	Length	22 1/2"	35 1/4"	46 1/4"	47 1/4"	45 1/4"	45 1/4"	45 1/4"	51 3/8"
	Description	4' 0" RADIUS	5' 6" RADIUS	7' 6" RADIUS	9' 0" RADIUS	10' RADIUS	12' 0" RADIUS	14' 0" RADIUS	15' 0" RADIUS
	Part Number	26504	22717	22718	22719	22720	22721	26468	26469

STEP 4: BOTTOM RING ASSEMBLY

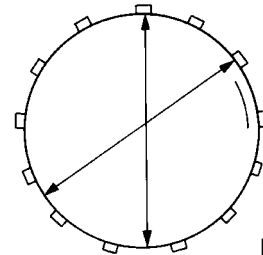
Position the first bottom plate so that it is approximately centered between your planned skimmer and return plumbing lines. Assemble the rails in a circle by using the bottom plates to join them together. Rails can be squeezed between your thumb and forefinger to facilitate insertion into the plates.

Check the roundness of your circle by measuring the diameter across in several locations. Since the rails do not automatically form a true circle, **DO NOT SKIP THIS STEP**. Otherwise, you might end up with a slightly oval shape, which can cause problems later on. Once you have formed a true circle, stake the bottom rails at every other rail being careful not to scratch the rails.



FOR POOLS WITH ODD NUMBER of BOTTOM PLATES:

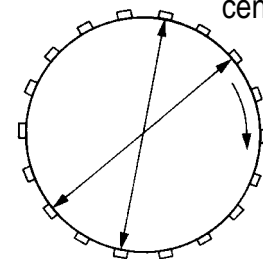
Measure from bottom plate to center of opposite bottom rail at every other bottom plate. When true, stake into position.



Measurements must go through center of the pool.

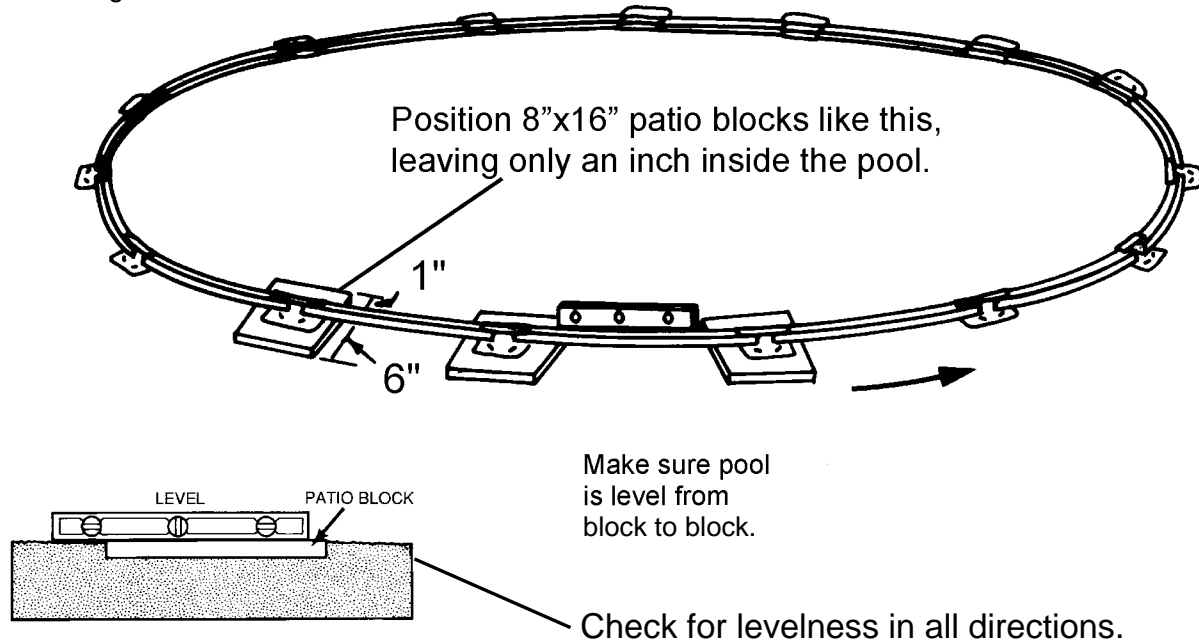
FOR POOLS WITH EVEN NUMBER of BOTTOM PLATES:

Measure from bottom plate to opposite bottom plate at every other plate. When true, stake into position.



STEP 5: PATIO BLOCK INSTALLATION

Once the frame is in position, begin centering 2"x8"x16" patio blocks below bottom plates. Sink patio blocks into the ground under the bottom plates, making sure that the blocks are level in all directions (side to side as well as front to back). Repeat this step around the frame making the tops of all blocks level with the ground. Do not install blocks or rails on loose sifted soil or sand. There must be no space between the ground and the bottom of the rails. All patio blocks must be flush with the ground, solid and level with each other in all directions. You may remove a bottom rail at this time to cart in sand or sifted soil for the cove (Step 9) as long as your pool ring remains staked in position. Make sure you replace the bottom rail in its proper position. A chalk outline of the bottom plates or cuffs on the patio block is an easy and temporary way to ensure that your track does not move throughout the remainder of the installation.



STEP 6A: SLAT INSTALLATION

The location of skimmer and return slats must be planned before proceeding. These slats can be anywhere you want on the pool. However, we recommend you keep the following in mind:

1. You will need to run plumbing to both the skimmer and the return slat, so place them in a location that is close to your filtration system.
2. Keep the return and the skimmer separated by at least 3 regular slats, but not more than 8 slats..

****THE FIRST SLATS INSTALLED MUST BE TWO REGULAR SLATS CENTERED ON A BOTTOM PLATE. THEN INSTALL A BEAM SLAT TO EACH SIDE OF THE BOTTOM PLATE****

IN THE FIRST 4 TO 5 FEET YOU MUST INSTALL THE SKIMMER AND RETURN SLATS.

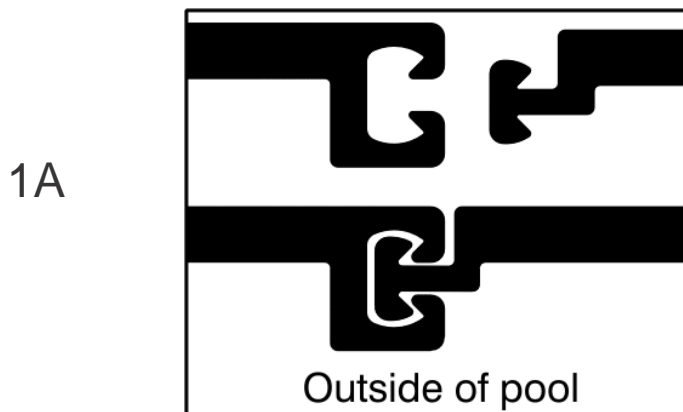
DO NOT USE EXTRA SLATS UNLESS YOU HAVE DAMAGED ONES. A POOL WITH EXTRA SLATS IN THE WALL WILL FAIL. THIS IS EXTREMELY DANGEROUS.

EVERY UPRIGHT ON THE CURVED SIDE AND THE STRAIGHT SIDE OF THE POOL MUST HAVE A BEAM SLAT ON EACH SIDE OF IT.

STEP 6B: SLAT INSTALLATION, CONTINUED

Installation of the pool wall will be easier with a team of four people. Begin the installation of your slat wall pool by placing a regular slat in the bottom track, centered on a bottom plate. Then slide one beam slat into the right side of the regular slat. Beam slats have two large ribs on them. Until the pool is completely assembled, helpers always need to hold up both ends of the pool wall.

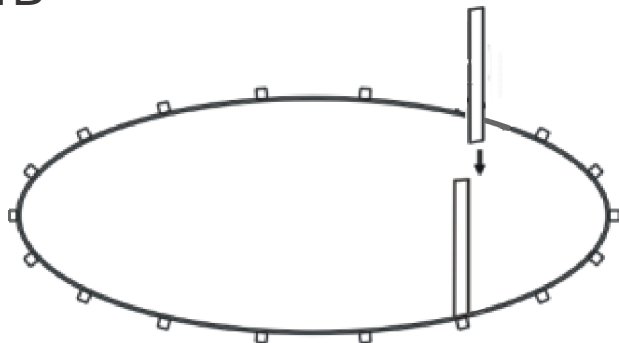
The edges of the slat should interlock as shown in diagram 1A. Make sure that the smooth surfaces of the slats are facing in toward the wet side of the pool and the ribs and bumps are facing outward toward the dry side of the pool.



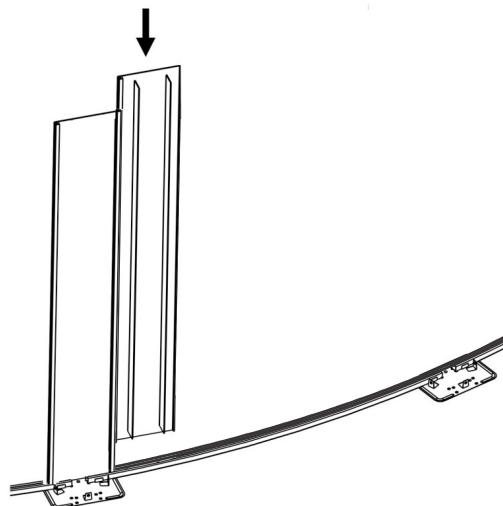
You may need to gently tap the slat down using a rubber mallet or hammer using a block of wood to prevent any denting or nicking of the slat. The last slat installed is often particularly tricky. The use of 3-in-1 household oil or WD-40 often helps (do not use motor oil).

****IN THE FIRST 4 TO 5 FEET YOU MUST
INSTALL THE SKIMMER AND RETURN SLATS****

1B



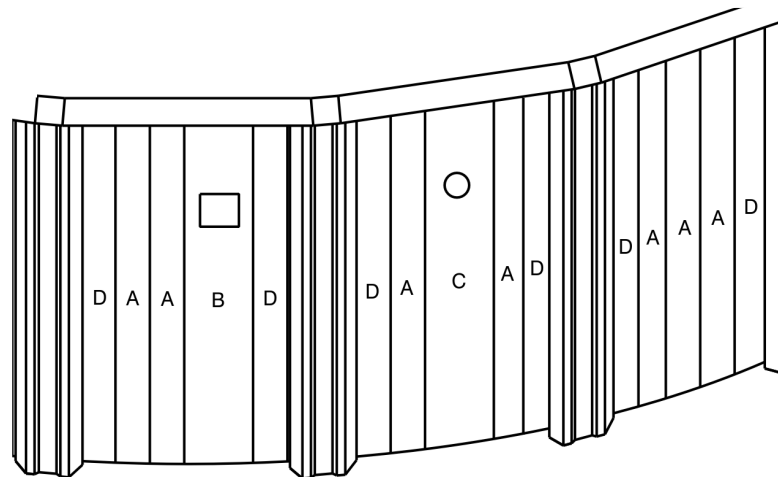
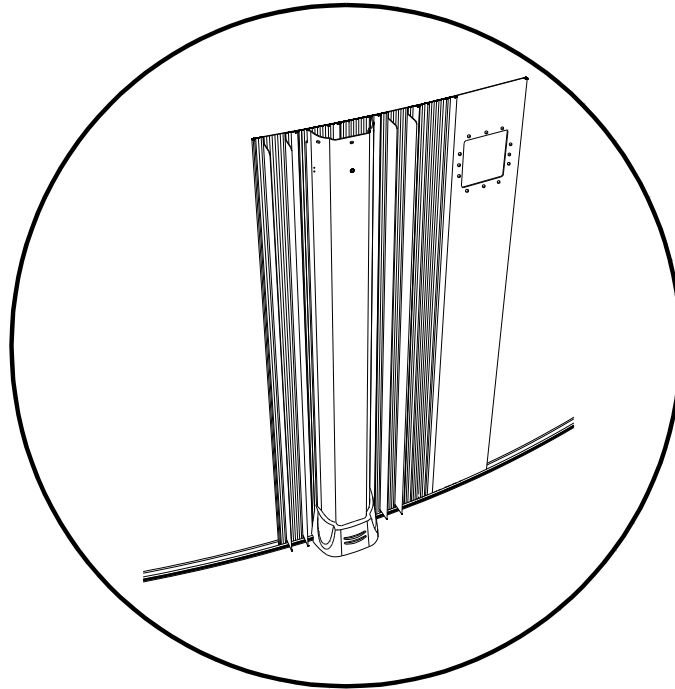
1C



STEP 6C: SLAT INSTALLATION, CONTINUED

The several different kinds of slats that go on your pool are to be located in a specific order. The diagram below shows the pattern of slat types plates once your slat wall assembly is eventually completed. Frame uprights and top rails are shown at this time for general reference only. Note that beam slats are always centered around bottom plates and uprights.

You should place one beam slat on either side of each pool upright.



-A is a regular slat

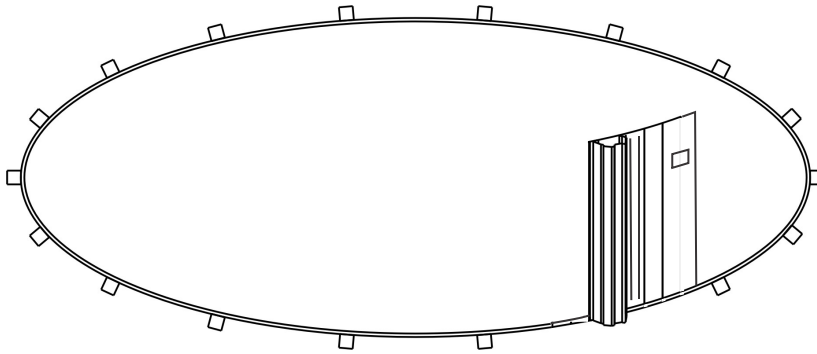
-B is a skimmer slat

-C is a return slat

-D is a beam slat

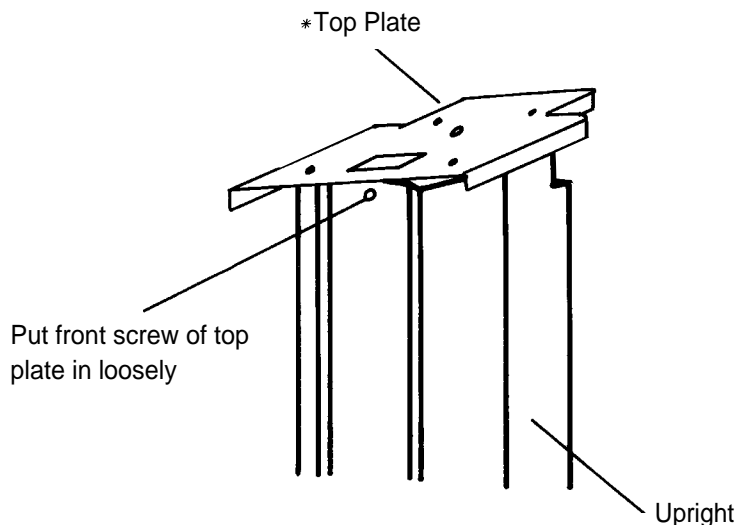
STEP 7A: FRAME INSTALLATION

Continue to install slats until you have a section of wall about five feet long. Once you have completed a five-foot section, you are ready to start installing the pool frame upright onto the pool wall.



Throughout installation, be sure to verify that the Bottom Rail distance from center is consistent.

This is a good time to start the pre-assembly of the uprights. It is easiest to line all uprights next to each other in a line. It helps to lean them against a fence or some other sturdy object. On most models the top of the uprights can be identified by either an extra hole in the middle, or by an extra hole on each side (depending on which pool you have) for the decorator of the caps. Place the metal top plate on the upright making sure the holes line up and the hooked part of the plate is facing the open end of the upright (the side that goes against the pool wall). Now put a # 10 x 1/2" screw in the center hole only. Do not install screws on the two side holes until later. This will make things easier and more efficient later down the line.



**This is one example of a top plate. The plate for your pool may look a little different.*

Now install the fence post holders onto the uprights, if you have purchased a fence to go around your pool (see separate instructions). If not, or when that is completed, you should line the uprights around the pool at every bottom plate for your convenience later on.

STEP 7B: FRAME INSTALLATION, CONTINUED

Install a pool upright as shown in the diagram. The upright attaches at the bottom to the bottom plate. On the top of the pool wall, install the plastic beaded track receiver as shown in diagrams to follow in Step 8.

Fastening uprights will be done by sliding it in the resin boot until the hooks engage into the upright square holes.

The top plates remain unsecured for now, but they should be temporarily clipped over the wall to prevent the uprights from falling backward.

Check pool for roundness again, making sure the diameter is the same in all directions.

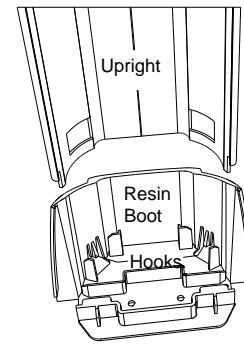


Fig. 50 A

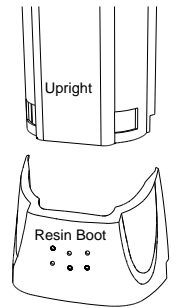


Fig. 50 B

STEP 8: FRAME INSTALLATION-LINER COMPONENTS

Once you have enough pool wall slats assembled, you should install a second upright, beaded track receiver, metal top channel, secure top plate and top rail. The top track does not attach to the top plate. It is just placed on top of the beaded track receiver between each set of uprights. The top rail will hold everything down and in place. Continue this process around the pool.

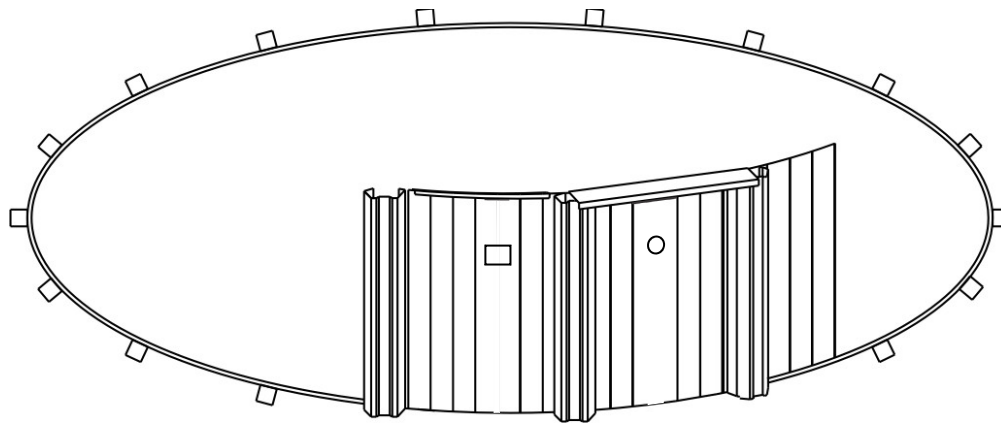


Fig. 52

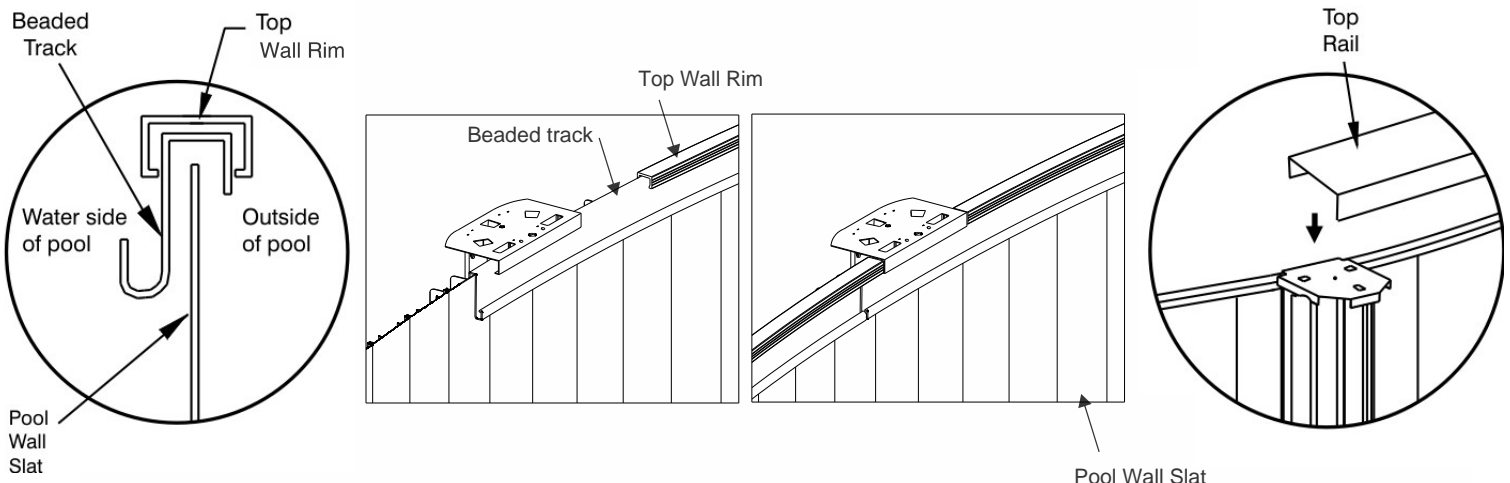
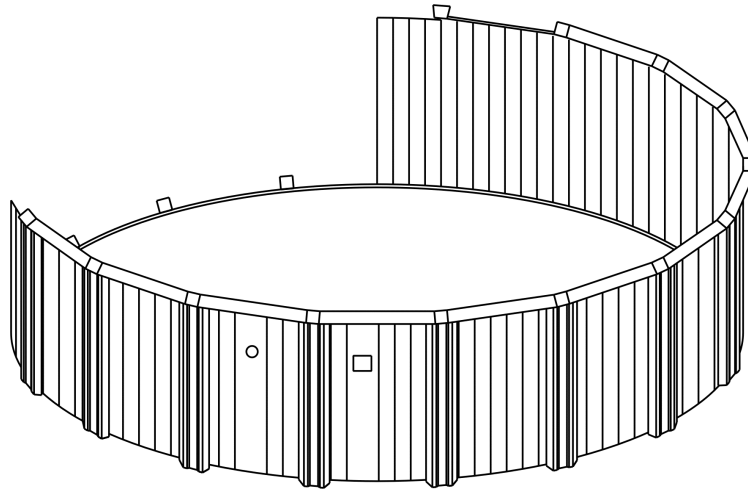


Fig. 53

STEP 9: FRAME INSTALLATION-COMPLETION

Throughout installation, be sure to verify that the Bottom Rail distance from center is consistent.

Eventually you will close up the pool wall. Sometimes the last slat can be tricky to install. You may have to open up, or close up, the bottom rails in order to get the final slat into place. Remember that we supply 10 extra slats with your pool in case you had some slats that did not install properly due to damaged or twisted ends. You should always end the installation with 10 extra slats.

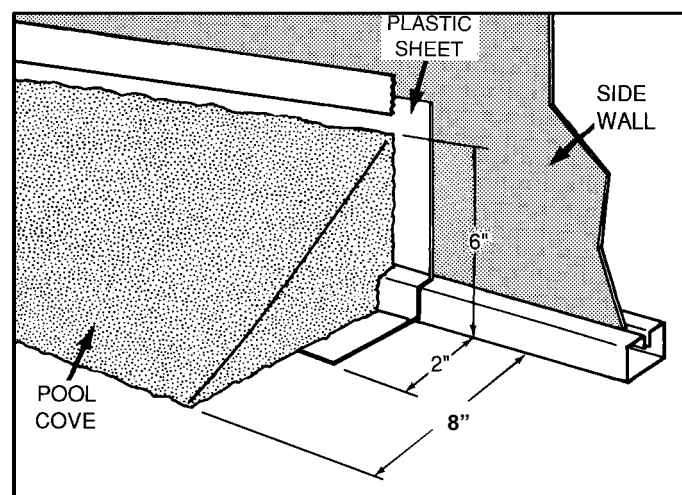


STEP 10: PREPARING THE COVE

Using neutral alkalinity sifted earth, or fine sand without pebbles, build a 2" base over the entire pool area to protect the liner. **DO NOT USE ANY SUBSTANCE WITH HIGH ALKALINE OR ACID CONTENT, ESPECIALLY PEAT MOSS, AS IT WILL CORRODE METAL PARTS!**

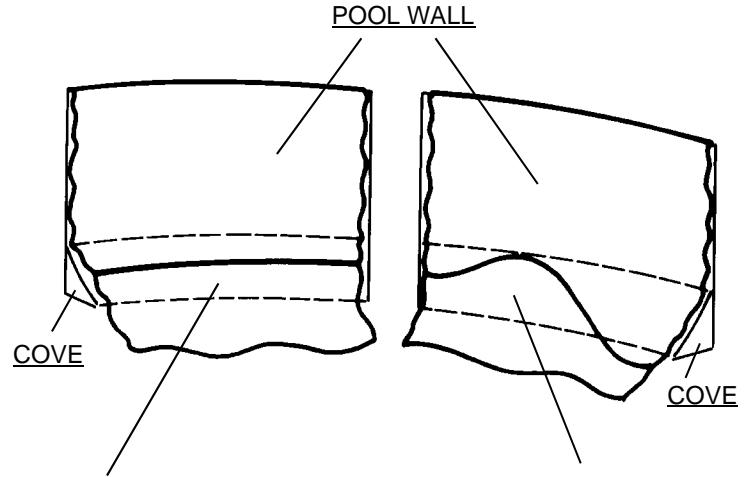
Next, using the sifted earth or fine sand, build a pool cove 6" to 8" high inside the metal wall along the entire circumference. This will prevent the liner from creeping under the wall, and it will also protect the liner from any metal edge of the pool framework. **THIS STEP IS NOT OPTIONAL- IT MUST BE DONE!** Since earth containing chemicals can cause discoloration or corrosion, it is suggested that you place polyethylene plastic sheeting under the cove around the perimeter of the wall, so no earth comes in contact with the metal. Since the presence of such chemicals is beyond the control of the manufacturer, such damage is not covered by the warranty.

After the cove and the base are in place, rake and tamp the entire pool area. Make sure that no sand is allowed to remain on the wall above the cove. This could cause pinholes in your liner.



STEP 11: LINER ADJUSTMENT

Do not place the liner wall seam directly over the skimmer or skimmer return cutouts. Place the liner at the center of the pool with the flap from the seams facing down. (For print liners, leave the print side facing up.) Spread the liner so that the bottom seam of the circumference is resting on the cove evenly around the pool. The seam should not be upon the wall or shifted to one side. These conditions will cause tightness or stretching of the liner when the pool is



CORRECT LINER SEAM

Resting evenly on or near the cove of the pool. Seam may not always lie on the cove as pictured, so your focus should be to keep the seam consistent around the pool.

INCORRECT LINER SEAM

Shifted up wall. This should not be done. Correct this situation if it occurs.

STEP 12: HANGING LINER

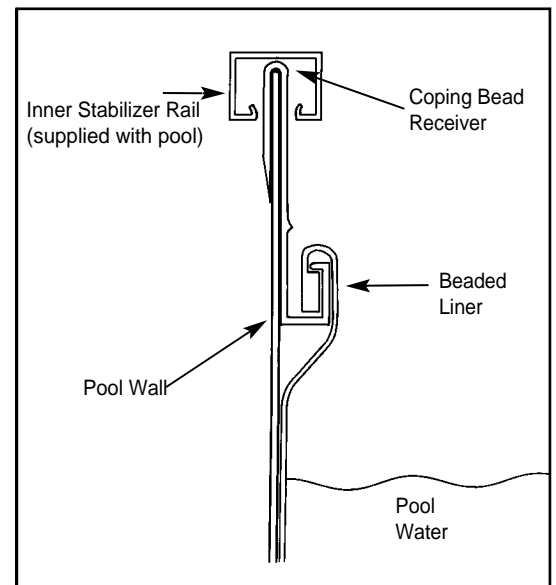
SNAP BEAD LINER

The beaded liner track should be installed onto the pool wall all of the way around the pool. These pieces should be as close together as possible. Leaving spaces between bead tracks can cause liner problems down the road.

Once all of the beaded liner track is on the wall, you can snap the liner bead into the beaded liner track at four random points around the pool. After that is done, and you are satisfied with how the liner is situated within the pool, you can continue snapping the remainder of the liner into place around the pool.

Go around the entire pool again making certain that the liner is securely snapped into the track. This is important to confirm so that the liner does not pull out while under the pressure of being filled with water.

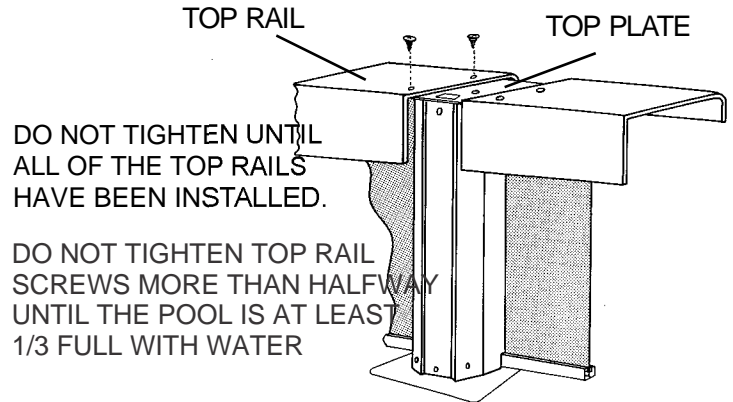
SNAP BEAD LINER



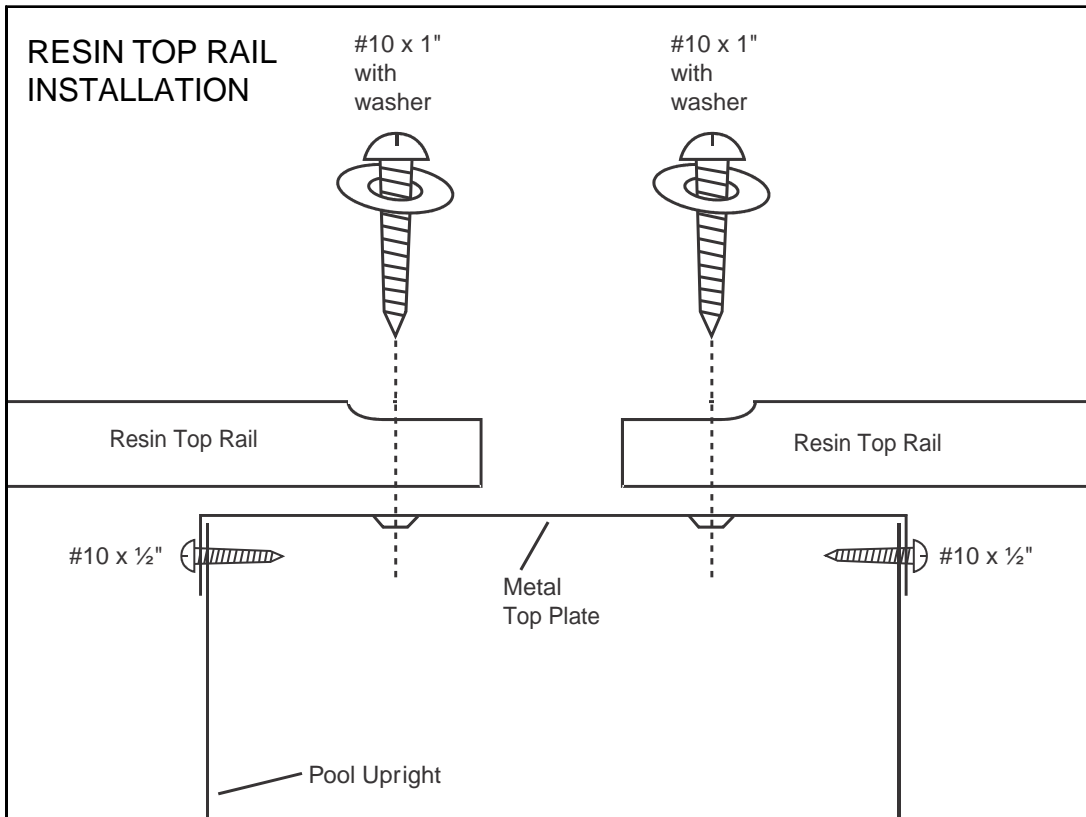
STEP 13: TOP RAIL INSTALLATION

Your pool either has metal top rails, or resin top rails. Please notice the different hardware that is necessary for the resin top rail pools.

You should have two people while installing the top rails. If a top rail falls in the pool it can cut the liner. Secure all metal top rails using # 10 x 1/2" screws into the corresponding holes in the top plates. * Resin top rails require special # 10 x 1" screws that have attached washers. When installing the top rails do not tighten screws until all of the top rails have been installed. This will allow room for adjustments if necessary on the final few rails that are installed. Attach all top rails before the water is more than 12" deep, because if the pool is slightly out of round, you may have a problem getting the last rail to go on.



***USE TWO PEOPLE FOR INSTALLATION.
IF A TOP RAIL FALLS INTO THE POOL
IT CAN CUT THE LINER.**



RESIN TOP RAIL INSTALLATION

When a resin top rail pool is assembled, you must use special hardware to attach the resin top rail to the metal top plate. Please see the diagram to the left for assembly.

The special hardware is:

- A # 10 screw that is 1" long.
- A washer with the screw to distribute the pressure more evenly.

STEP 14: FILLING THE POOL

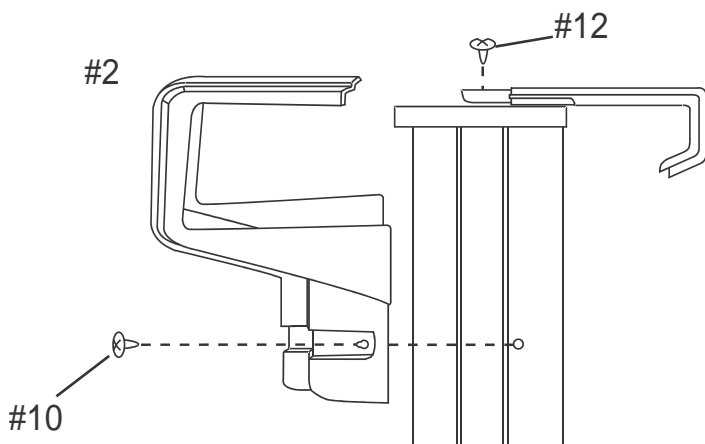
After liner and all top rails have been installed with screws being tightened halfway, continue filling pool until water is just below the skimmer opening. Finish tightening top rail screws. You can now cut the skimmer or return holes in the liner. Then continue filling pool.

STEP 15: TOP COVER INSTALLATION

Attach top covers as shown in the appropriate diagram for your pool

2 PC RESIN TOP COVER:

Center small half over hole in the top plate as shown and attach with a #12 screw. Slide the large half over the small half and secure using two #10 screws.



Important Pool Safety & Maintenance

Keep your pool wall and frame clean. Always wash away any deposits of pool chemicals which land on the frame of your pool. Wash periodically with a mild soap solution (no abrasives). At least once a year use a clear non-yellowing household wax on all metal components.

Your pool and liner must be inspected regularly for leaks, corrosion, scratches, and punctures. If any problem is found IMMEDIATE CORRECTIVE ACTION MUST BE TAKEN. Small repairs and punctures in your liner may be easily repaired using repair kits available at your local dealer. Scratches on your pool wall & frame must be touched up with anti-rust enamel. Wire brush all rust and add a coat of enamel primer followed by a coat of color matching paint. Pool water is full of various caustic chemicals, which will corrode metal parts. If any corrosion is allowed to continue, failure of the pool structure may occur which could result in excessive property damage as well as bodily harm.

The skimmer area and below it are particular areas that must be carefully and regularly inspected. If this area is wet, and remains wet for any length of time, it usually means there is a small leak. Skimmer/skimmer return gaskets must be replaced when they become defective. Water must not be permitted to continually run down the wall, if neglected pool will break.

If proper skimmer/skimmer return gasket care is not maintained, your warranty will be void!

Be sure to follow all local and state safety regulations when installing any accessory to your pool. Any decks, and all entries, must be carefully monitored for safety and access to pool. **Installing any other manufacturer's deck or slide is strictly forbidden!**

Winterizing Your Pool

During the winter your pool is subject to more stress than in the summer, and any breakage that is caused by incorrect winter procedures is not subject to any warranty with this company.

All of our pools and liners are designed to be left up all winter, but nonetheless are subject to the warranty of the liner being purchased. Continue to chlorinate and filter until the pool is closed down.

Before closing down your pool for the winter you must make a complete inspection of the pool.

Check all the connections to make sure everything is tight and in good condition

Check to see that the liner is snugly held in place over the wall.

Check for any indication of rust or deterioration in any part.

IF ANY OF THE ABOVE IS FAULTY YOU MUST CORRECT THE SITUATION IMMEDIATELY.

Lower the level of water to about one foot below the skimmer intake and return holes. Throughout the winter you must continually check this level, as it must not reach the skimmer holes at any time during the winter.

During the winter the pool requires the use of an equalizer to allow for the expansion and contraction that occurs when ice is formed and to hold cover up. This can be a product manufactured for this express purpose and is available at your swimming pool dealer.

The use of a winterizing agent will simplify the start up of your pool next season.

A cover designed for winter use is also recommended to keep pressure on the equalizer so it is forced into the water, keep dirt out, and at the same time serve as a safety cover.

If your skimmer is supplied with a winter plate and cap you must still follow the same steps as above. It is essential that no water be allowed to run down the wall for any period of time. If your skimmer did not come with the winter plate it is available at a nominal charge at your dealer and is recommended.

Important Winter Rules

After your pool has been winterized and all steps carefully followed, the following checks and procedures must be strictly followed during fall, winter and spring seasons.

Your pool warranty will be invalid if pool has been improperly winterized and the following procedures not strictly adhered to. Pools that have been incorrectly winterized have been known to collapse under the tremendous pressures exerted by ice and snow.

A pool that is left up during the freezing temperatures must not be allowed to leak. It is not uncommon for a leak to develop during rigorous summer usage and go undetected. What is thought to be water loss due to evaporation or spillage may be caused by a small leak. Persistent wet areas around the pool should be inspected. To determine if your pool is leaking, mark the liner at the water level and closely observe the water level in the pool for a period of 10 - 12 days after the pool is closed for the season. Any rain during this period may compensate for any undetected water leakage. Therefore, the observation period must be extended to find any leaks.

Maintain a strict leak inspection schedule throughout fall, winter, and spring months. Spring thawing which frequently leads to ground heaving can be especially dangerous if care is not taken.

Maintain a strict inspection of the inner skimmer housing to see that water is not leaking at the gasket. If the skimmer was not removed, water should not be allowed to collect in the skimmer housing as the water will freeze and crack the housing and cause possible damage to the wall.

Should ice, or anything else, cut your pool liner allowing the pool to empty, be sure to release the cover thereby removing the weight from the top of your pool. Failing to do so can cause your pool to collapse.

Consult your pool dealer for the proper winter chemicals for quick spring start up.

During the course of the winter the liner may pull out of it's coping due to no fault of the pool installer. Due to freezing and thawing of the ground, the ground sometimes sinks and the liner with the weight of ice or water will sink also, thus pulling the liner out of it's coping.

Be sure to pull off all excess snow and ice from the winter cover.

Do not permit ice skating or horseplay during the winter as this can cause pool and liner damage, as well as, serious injuries.