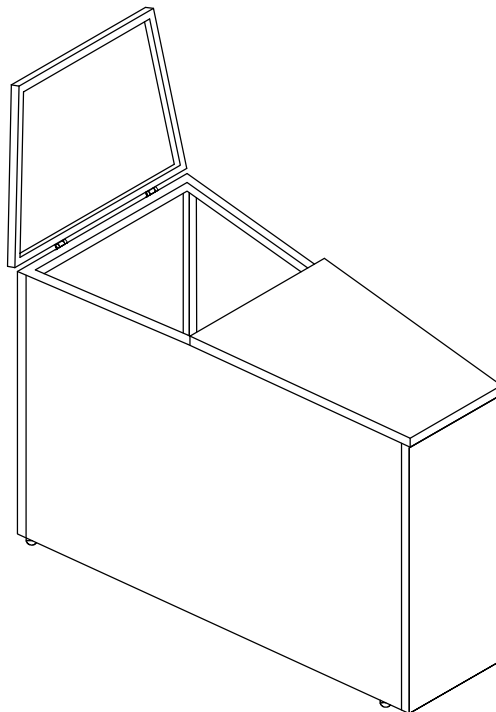




Catalina Outdoor Wicker Round Sectional Arm Table

CO7210-BR



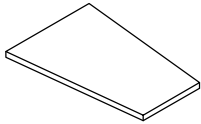
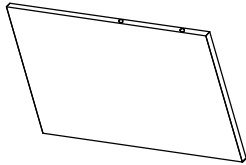
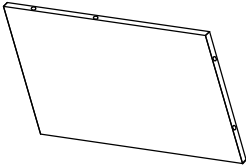

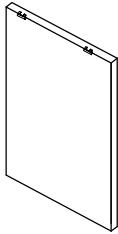
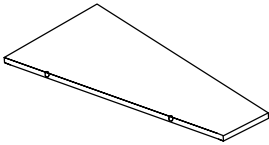
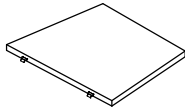


Congratulations! You have purchased a stylish piece of Crosley Furniture. We strive to provide fine furniture products, built with quality materials and hand finished details. Please carefully follow the assembly instructions to ensure your furniture is assembled correctly to provide long lasting enjoyment.

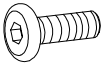
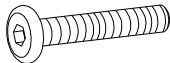
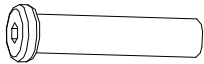
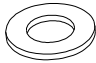

Should you experience any missing or damaged parts **do not return to the store**. Please visit our website www.crosleyfurniture.com or contact us directly at 800-815-4796.

Care: Use a soft, clean cloth that will not scratch the surface when cleaning. The use of solvents is not necessary. Should you choose to use solvents, test in an inconspicuous area first to avoid damaging the finish. To clean, simply use a soft, clean cloth lightly dampened with water.

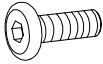
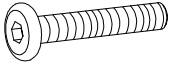

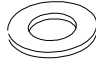
PART LIST

 <p>Long Wicker Top</p>		 <p>Right Side Panel</p>			
A	1PC	B	1PC		
 <p>Left Side Panel</p>		 <p>Front Panel</p>			
C	1PC	D	1PC		
 <p>Back Panel</p>		 <p>Bottom Panel</p>		 <p>Short Wicker Top</p>	
E	1PC	F	1PC	G	1PC

HARDWARE LIST

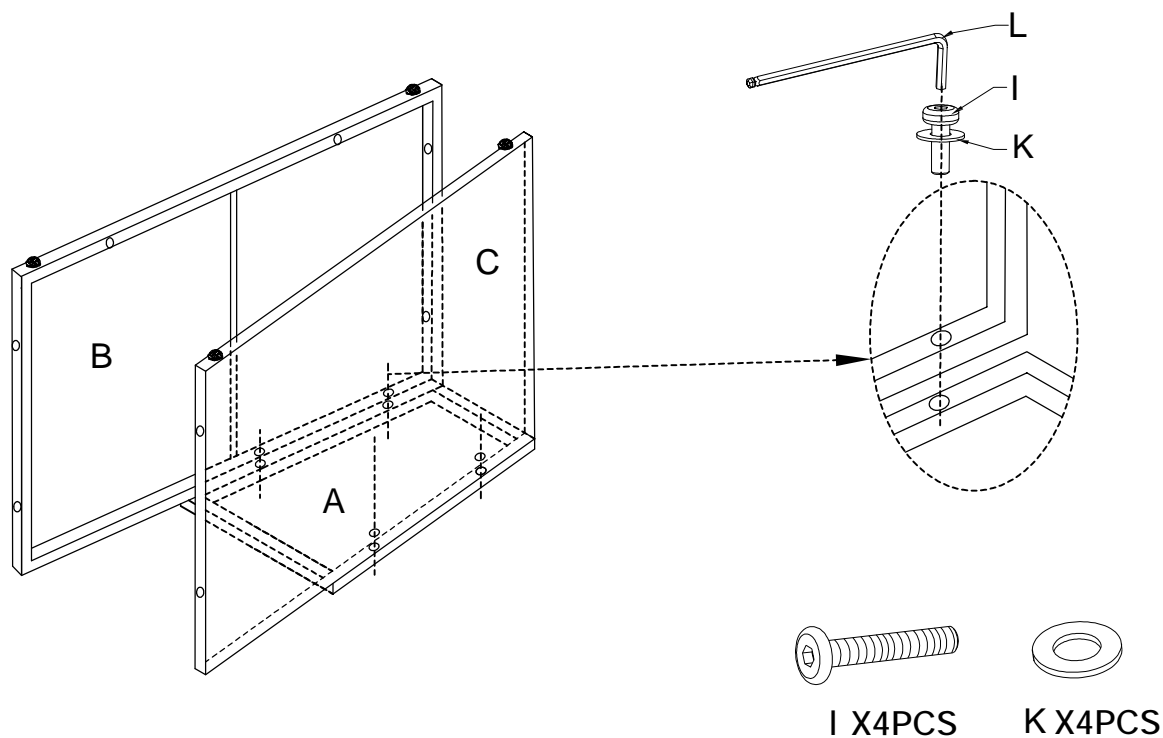
 <p>Short Bolt(M6*10mm)</p>		 <p>Long Bolt(M6*35mm)</p>		 <p>Inner Thread Bolt(M6*40mm)</p>	
H	2PCS	I	16PCS	J	2PCS
 <p>Washer(M6mm)</p>		 <p>Allen Key(M6mm)</p>			
K	16PCS	L	2PCS		

EXTRA HARDWARE LIST

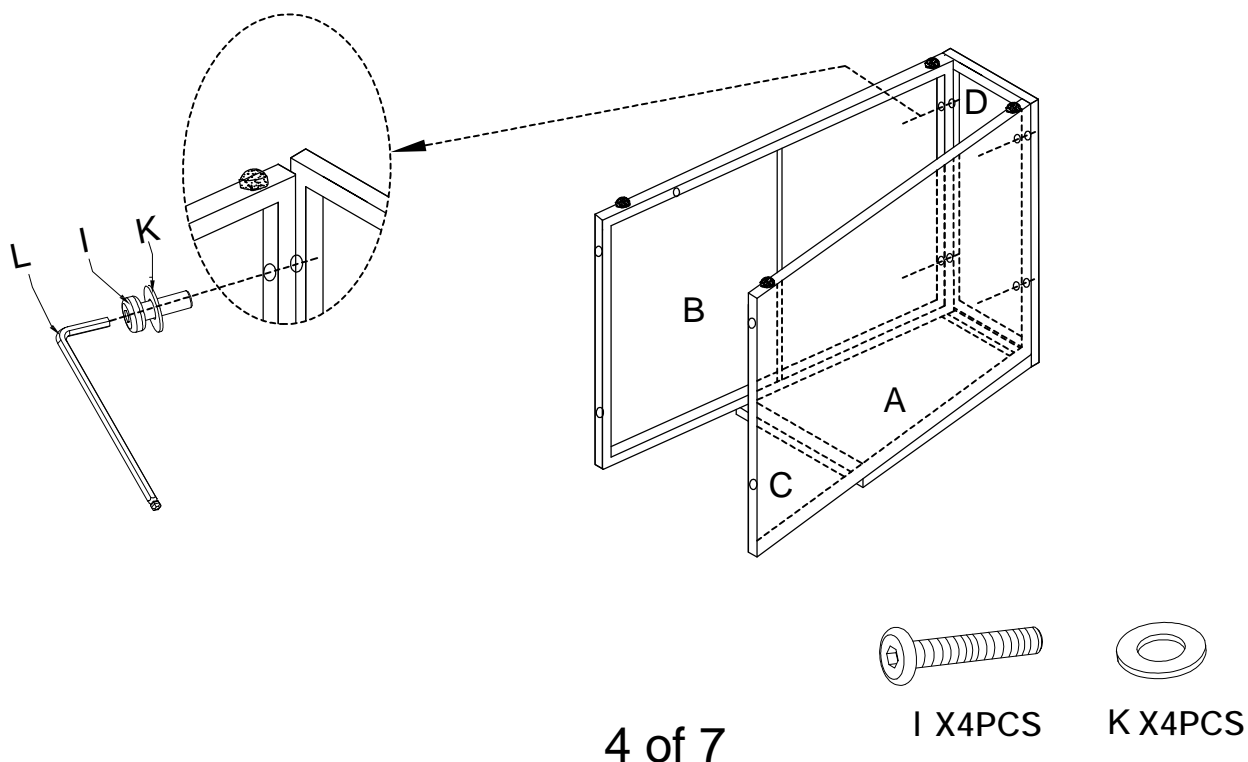
 <p>H X1PC</p>	 <p>I X3PCS</p>	 <p>J X1PC</p>	 <p>K X3PCS</p>
---	--	--	--

Step 1. Attach Side Panels(B&C) to Long Wicker Top(A) using Long Bolts(I), Washers(K) and Allen Key (L).

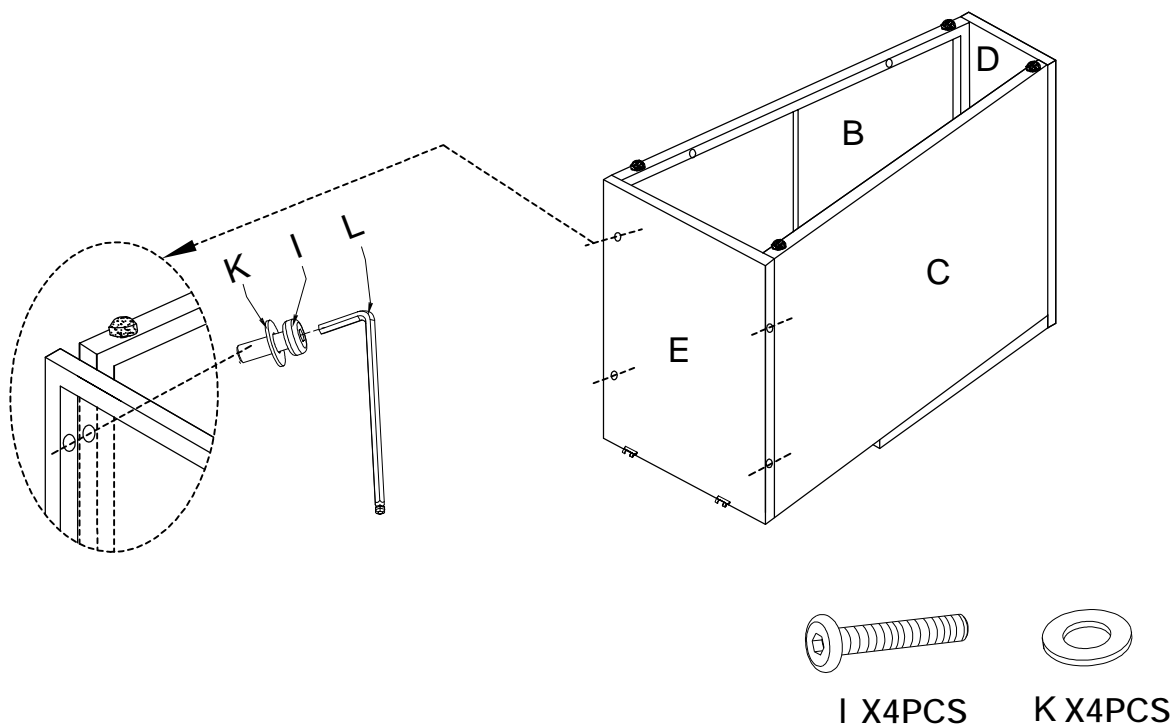
NOTE: Thread down but do not tighten bolts until unit is fully assembled.



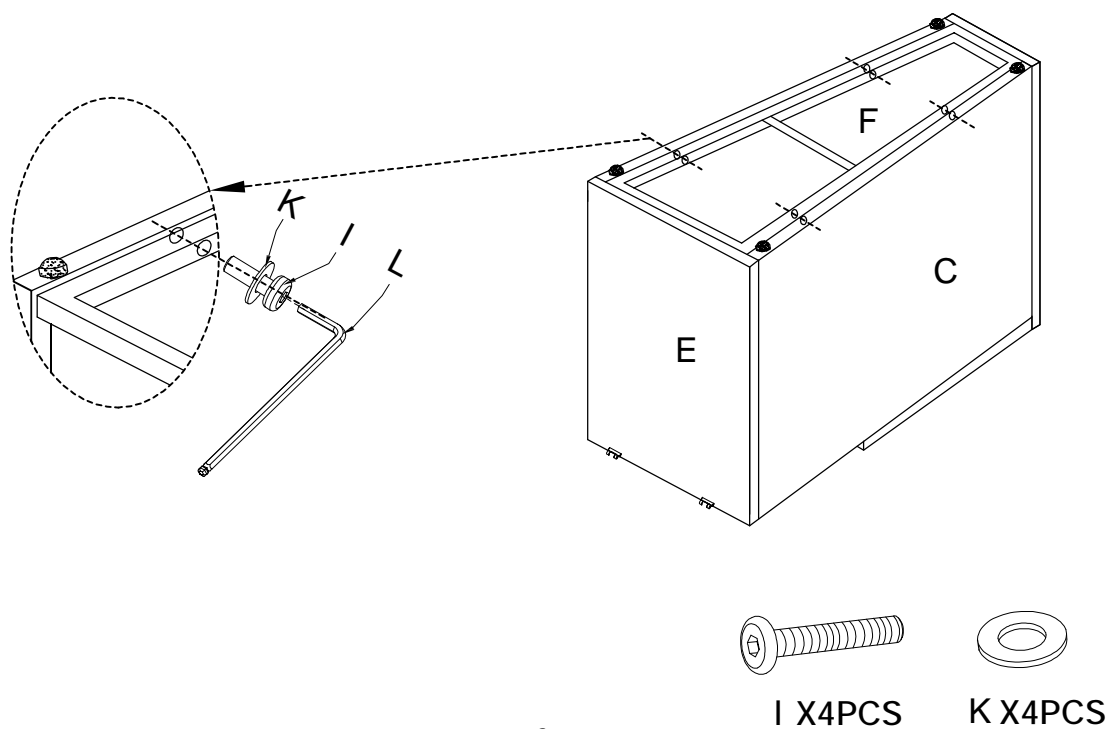
Step 2. Attach Front Panel(D) to assembled parts(A,B&C) using Long Bolts(I), Washers(K) and Allen Key (L).



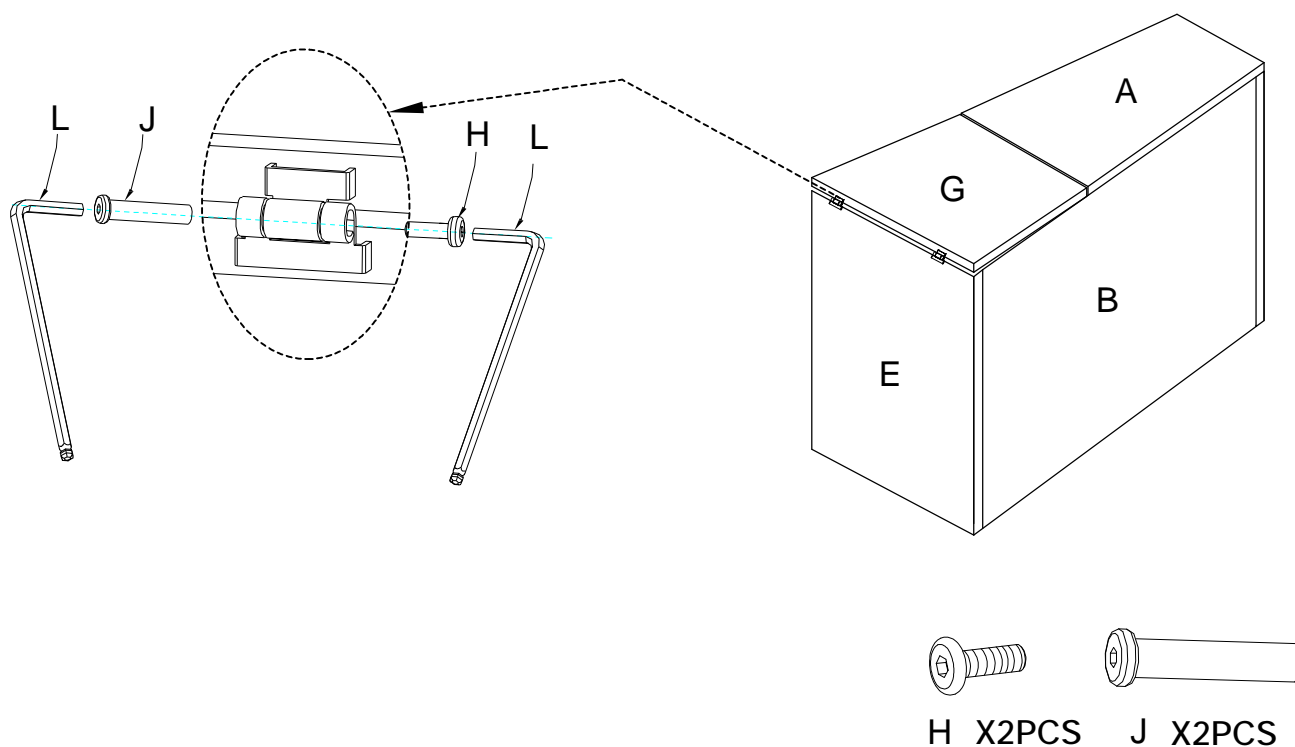
Step 3. Attach Back Panel(E) to assembled parts(A,B,C&D) using Long Bolts(I), Washers(K) and Allen Key (L).



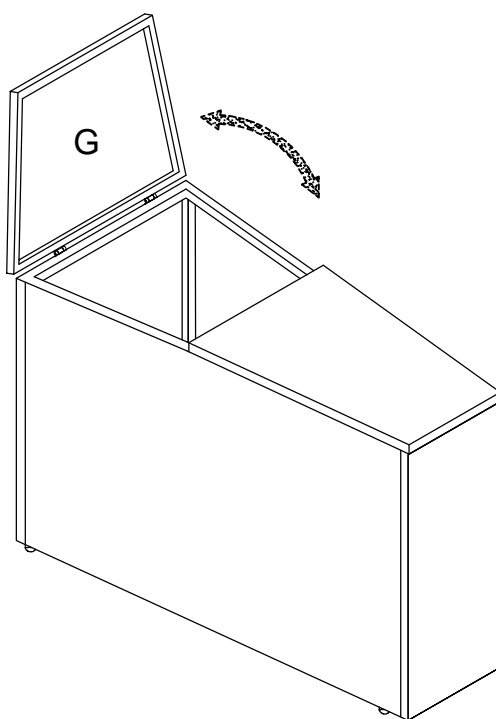
Step 4. Attach Bottom Panel(F) to assembled parts(A,B,C,D&E) using Long Bolts(I), Washers(K) and Allen Key (L).



Step 5. Carefully turn the table upright. Attach Short Wicker Top(G) to Back Panel(E) using Inner Thread Bolts(J), Short Bolts(H) and Allen Key(L).



Step 6. Top Panel (G) can be opened and closed.





Limited Manufacturers Warranty

Crosley Furniture Products are warranted against defects in material and workmanship for a period of 90 days beginning from the date of sale. Should any parts be missing or defective, we will replace or repair the parts for a period of 90 days from the date of purchase.

Should you experience any missing or damaged parts, do not return to the store. Please contact us directly at 800-815-4796 from 9 AM to 5 PM (EST) Monday to Friday.

This warranty gives the purchaser specified legal rights in addition to any rights which may vary from state to state.

In accordance with the "Moss-Magnuson Warranty Act" of July 10, 1975, this is termed a "limited warranty" which in no way compromises Crosley Furniture's high standards of Quality and Workmanship.