

4 Wheel Drive

Powered by
aquabot

Robotic Pool Cleaner
Nettoyeur de Piscine
Automatischer Schwimmbeckenreiniger
Limpiafondos de Piscina
Aspirador Automático de Piscina
Robot di Pulizia per Piscine

Operating Instructions


Mise en marche de votre robot nettoyeur de piscine

Bedienungsanleitung für den automatischen Bodensauger

Funzionamento del nuovo robot di pulizia per piscine

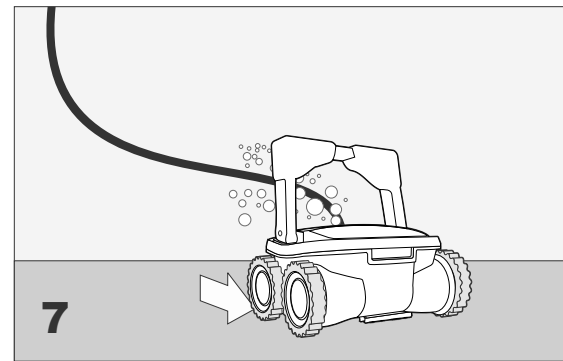
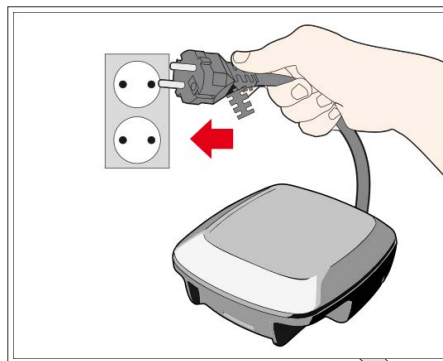
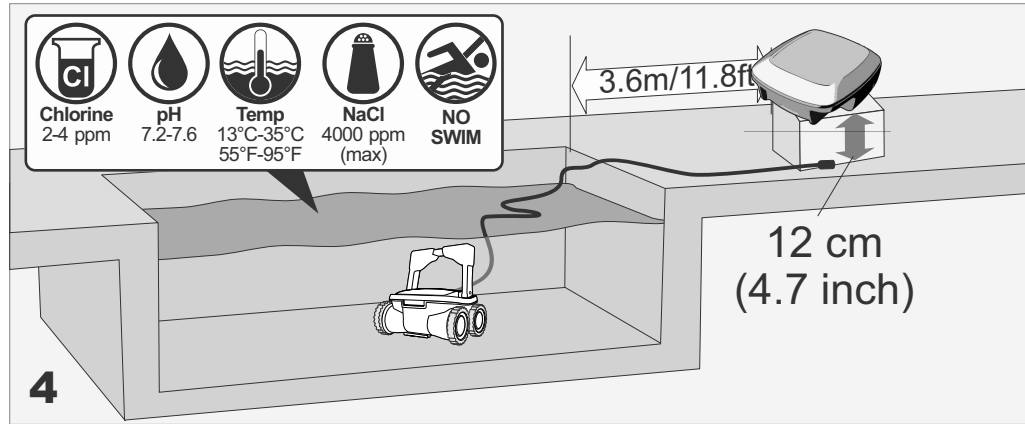
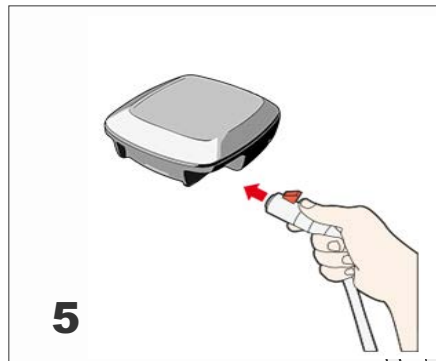
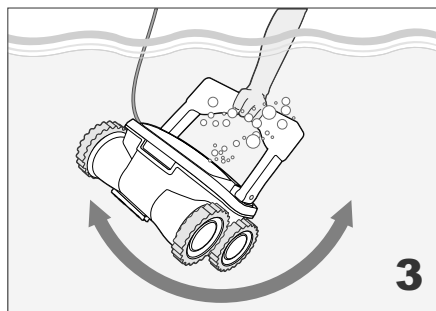
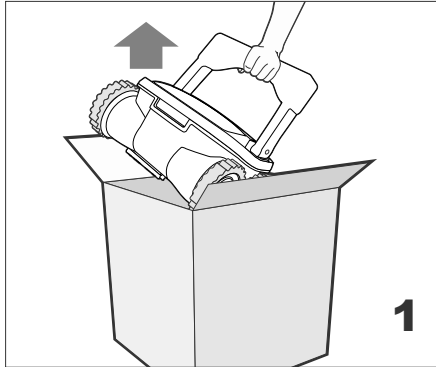
Manejo de Limpiafondos de Piscina

Manual de instruções

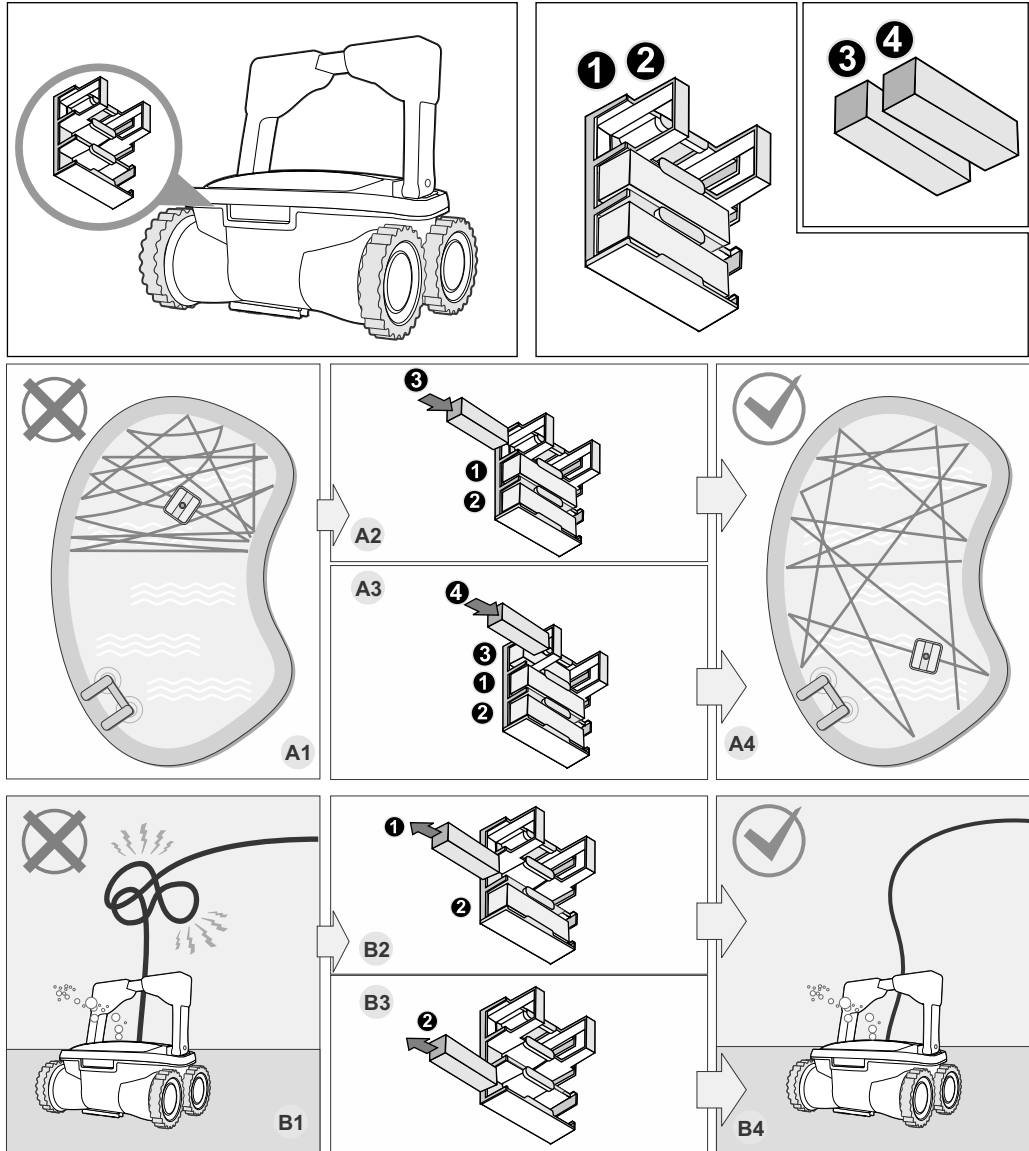
 BK0019300/PA

Quick start guide
Guide de démarrage rapide
Kurzanleitung

Manuale di avvio rapido
Guía de inicio rápido
Guia de início rápido



Float installation
 L'installation de flotteurs
 Schwimmende Schaum Installation
 Installazione di flottante
 Instalación de flotador
 Instalação de flutuar



IMPORTANT SAFETY INSTRUCTIONS

READ AND FOLLOW ALL THE INSTRUCTIONS

CAUTION: Do not plug power supply into outlet or turn power supply on if the robot is not fully immersed in water. Operating the cleaner out of water will cause severe damage immediately and will result in loss of warranty.

Allow the cleaner to remain in the pool for 15 to 20 minutes following the end of its cleaning cycle. This will allow the motors to cool adequately. Do not leave the cleaner in the pool all the time. Always remember to turn the power supply "OFF" and unplug it from the power outlet before removing the cleaner from the pool.

WARNING: The cleaner must not be used when people are in the water. For use with swimming pool only



Safety Note

- The unit must be supplied through a residual current device (RCD) having a rated residual operating current not exceeding 30 mA
- The connection to the branch circuit should be consistent with the local and national wiring rules (electrical code).
- Mishandling of the unit can result in leakage of lubricants.
- If the supply cord is damaged, it must be replaced by a special cord or assembly available from the manufacturer or its' service agent.

This appliance can be used by children aged from 8 years and above with reduced physical, sensory or mental capabilities, or lack of experience and knowledge if they have been given supervision or instruction concerning use of the appliance in a safe way and understand the hazards involved. Children shall not play with the appliance. Cleaning and user maintenance shall not be made by children without supervision.

WARNING: A Ground Fault Current Interrupter (GFCI-USA) or a Residual Current Device (RCD-EUROPE) must be installed to protect your electric outlet and prevent any possible electric shock.

SAVE THESE INSTRUCTIONS

Introduction

System Overview

The robotic cleaner sweeps the pool floor and walls to collect dirt and debris into its internal filters. This user manual explains how to operate the robotic cleaner, including cleaning, maintenance and storage procedures.

Note:

This manual reviews several robotic cleaner models. There are some variations in components according to specific model.

How the Robotic Cleaner Cleans Your Pool

After the robotic cleaner is placed in the pool and activated, it operates according to the program set via the power and control unit. The robotic cleaner moves along the floor and walls of the pool, covering the entire area of the pool floor and walls. When the robotic cleaner has finished its program, it remains inactive on the pool floor.

Note:

Wall climbing is an optional feature. When the wall climbing feature is enabled, the robotic cleaner climbs the wall at intervals according to its internal program. The robotic cleaner ability to climb over stairs in swimming pool is subject to stair geometry and material.

Operating Conditions

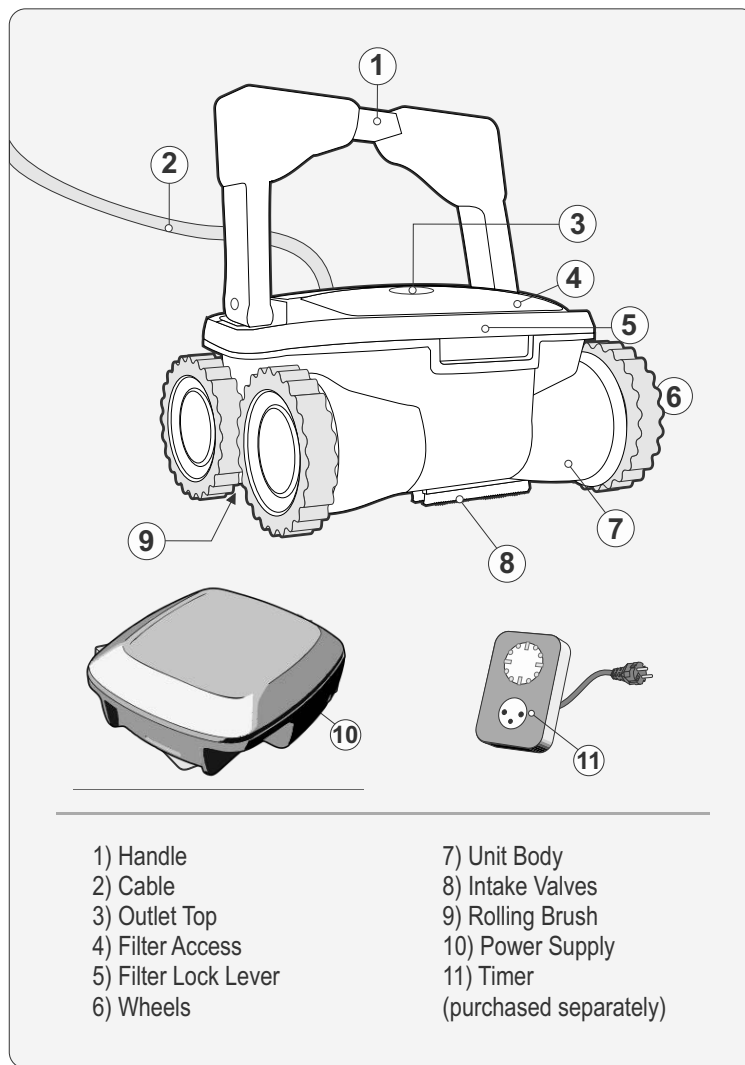
The robotic cleaner is intended for use in swimming pools in the following conditions:

- Temperatures ranging from 13°C-35°C (55°F-95°F), recommended temperature is between 22°C-32°C (72°F-90°F).
- Water pH: 7.2 - 7.6
- Chlorine level: pool is maintained according to the pool manufacturer's instructions. (recommended 2-4 ppm)

Note:

Failure to maintain the pool according to the recommended operating conditions could prevent the robotic cleaner from functioning properly. Remove the cleaner out of water when performing "Chemical Shock Treatment" to the pool water.

Components



Components

Contents of Packing Box

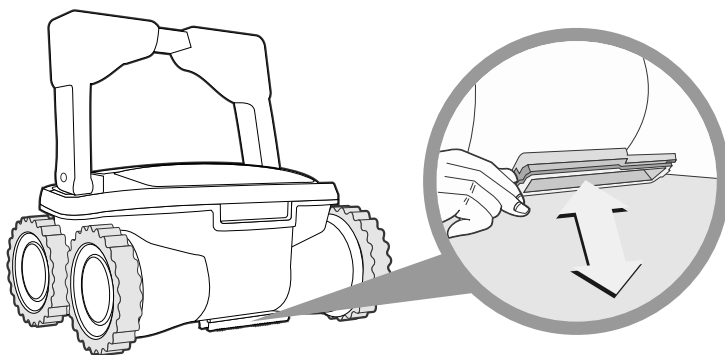
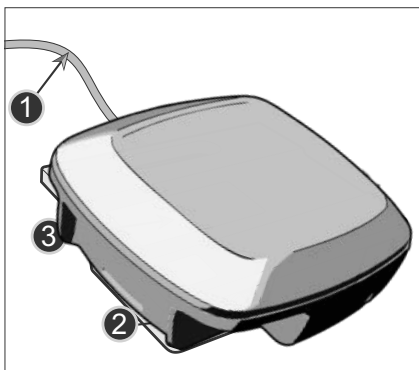
The robotic cleaner is packed in a box containing:

- Robotic cleaner and floating cable
- Power and control unit
- User manual

Power and Control Unit

The power and control unit is connected to the robotic cleaner via the floating cable. The unit is powered by AC power (1) and supplies low voltage and commands to the cleaner unit through the outlet socket (2).

The unit features a control panel (3) with various controls to operate the robotic cleaner.



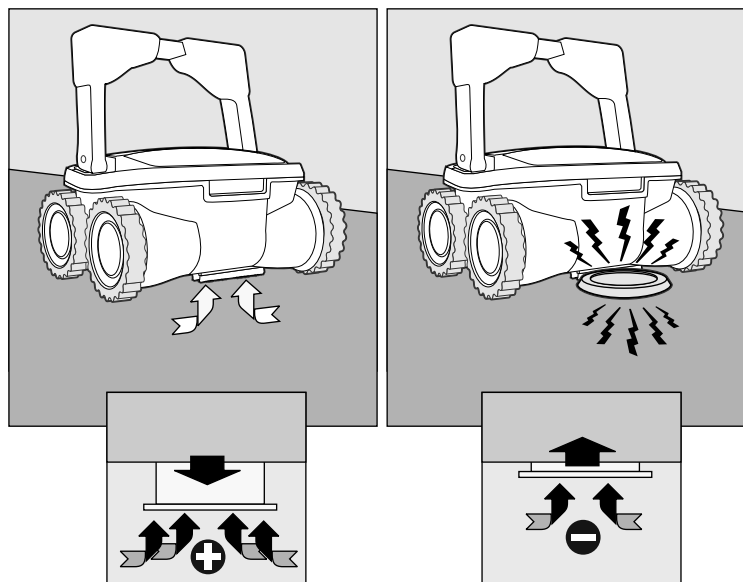
Operation

Before First Use

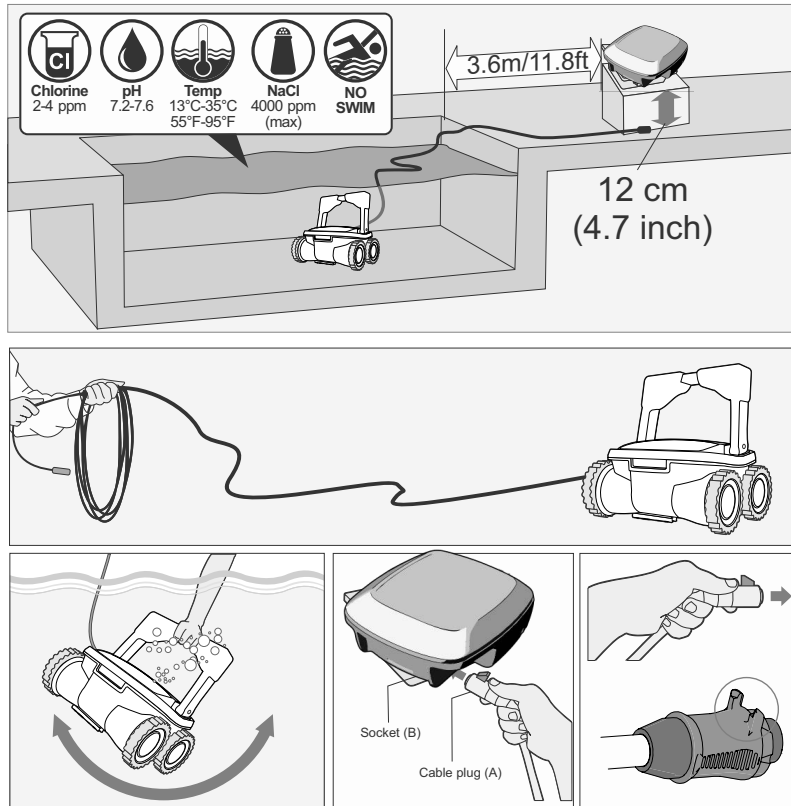
Adjusting Suction Height: Positioning the suction inlet (2) close to the pool surface increases the suction power and the cleaning quality. Lowering the suction inlet could result in interference with obstacles on the swimming pool floor or walls.

Use a screw driver to adjust the suction inlet position knob (1).

- IN – pulls the suction inlet away from the pool surface and reduces the suction power.
- OUT – brings the suction inlet closer to the pool surface and increases the suction power.



Operation



Placing the Power and Control Unit

4. Place the power and control unit at least 3.6 meters/11.8 feet from the pool and at least 12 cm/4 inches above the surface.

CAUTION: The power and control unit must not be exposed to water or to direct sunlight.

5. Release floating cable plastic ties, which are used to secure the cables during shipping, by pressing plastic snap on the tie.

Before placing the cleaner unit in the water

1. Make sure there are no people in the pool.
2. Make sure that the filters are clean.
3. Make sure the pool conditions are met; (see “Operating Conditions”).

Placing Cleaner Unit into the Water

1. Unroll the floating cable. It is recommended to extend a length of cable that is equal to the pool diagonal size plus an additional two meters.
2. Place the cleaner unit in the pool.
3. Let the robotic cleaner sink to the bottom of the pool. Do not start operation before the robotic cleaner is settled on the pool floor.
4. Spread the floating cable across the pool. Make sure that only the required length of cable is spread across the pool. Smooth out coils or twists in the cable. Roll extra cable outside the pool near the power and control unit.
5. Connect the floating cable (A) to the socket (B) located on the power and control unit.

CAUTION: Operating the cleaner out of water causes immediate severe damage and results in loss of warranty.

Operation

Starting the Robotic Cleaner

Connect the power and control unit to the wall socket (1). The Operation LED is lit (4) and the robotic cleaner starts its cleaning program.

If the power and control unit is already connected to the AC socket, the Operation LED flashes (5) to indicate that the robotic cleaner is in standby mode.

Press the Operation button (6). The Operation LED turns on (6) and the robotic cleaner starts the cleaning program.

Note: When the Check Filter LED (3) (optional in some models.) is lit, the robotic cleaner filters must be cleaned before placing the cleaner unit in the pool.

Cleaning Cycle

During the cleaning cycle, the robotic cleaner:

- Moves across the pool floor picking up dirt and debris.
- Changes direction and rotates automatically according to the selected program
- Climbs the pool walls every few minutes, as set in its internal program.

Note: The robotic cleaner might occasionally stop moving for a few seconds. This is part of normal operation, not a malfunction.

Stopping Robotic Cleaner Operation

The robotic cleaner moves automatically to STANDBY after every cleaning cycle and the operation LED starts flashing (5).

To stop the cleaner operation during a cleaning cycle, press the operation button (7) once. The operation LED starts flashing (7) and the cleaner is in standby mode.

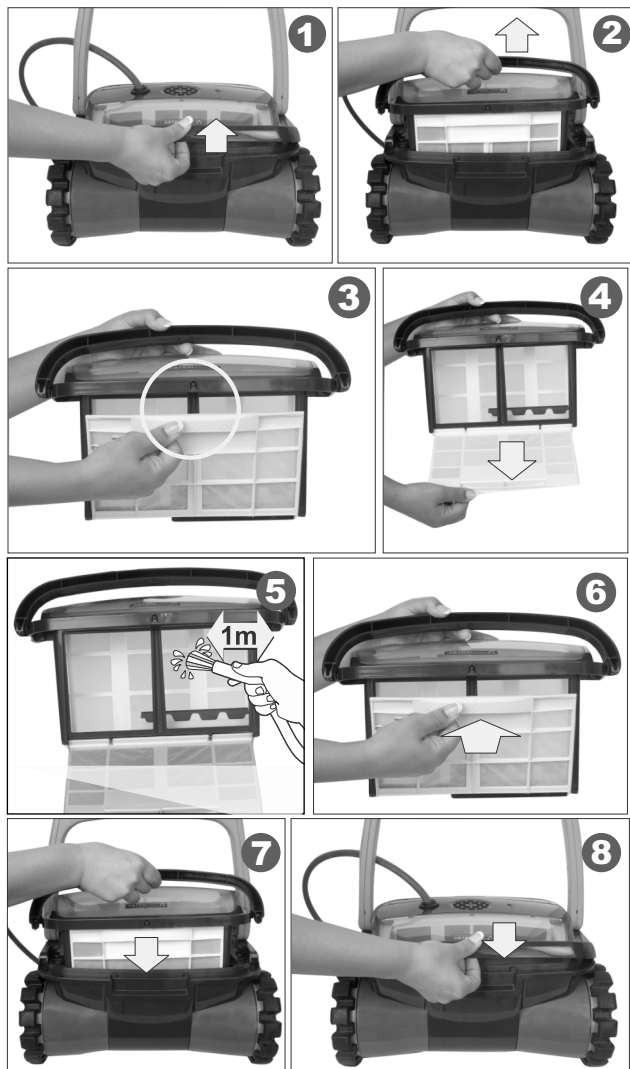
Pulling Cleaner Unit out of the Water

1. Unplug the floating cable from the power and control unit.
2. Pull up on the floating cable to pull the cleaner unit closer until it is possible to take hold of the handle.
3. Using the handle, lift the cleaner unit out of the pool.

CAUTION: Do not use the floating cable to lift the cleaner unit out of the water.



Maintenance



Cleaning the Filters

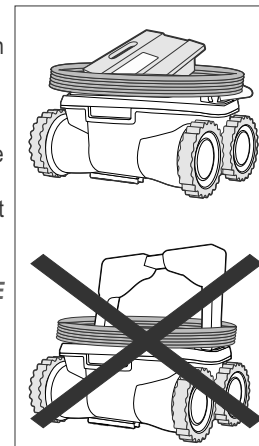
The two filters must be cleaned after each cleaning cycle.

1. Release the filter and pull it out of the cleaner unit. (1), (2)
2. Pull the filter door against the filter housing to open the filter case. (3), (4)
3. Spray water on the outer sides of the filter and then spray water towards the inner side of the filter to clean all the dirt and debris. (5)
4. Verify that the small plastic shutter (2) is in place and not broken, then close the filter. (6)
5. Insert the filter back into its location until a click is heard to secure the filter in place. (7), (8)

Storing the Robotic Cleaner

Follow these instructions to store the robotic cleaner when not in use:

1. Disconnect the power cord from the wall outlet.
2. Disconnect the floating cable from the power and control unit.
3. Spread out the floating cable and release any twists in the cable.
4. Wash the cleaner unit interior space with fresh water and let it dry.
5. Roll the floating cable and place it ON THE CLEANER unit.
Caution: DO NOT ROLL the floating cable ON THE HANDLE of the cleaner unit.
6. Store the robotic cleaner components in a dry, closed location.
7. Verify that the power and control unit is not exposed to water.



Checking Water Outlet Propeller

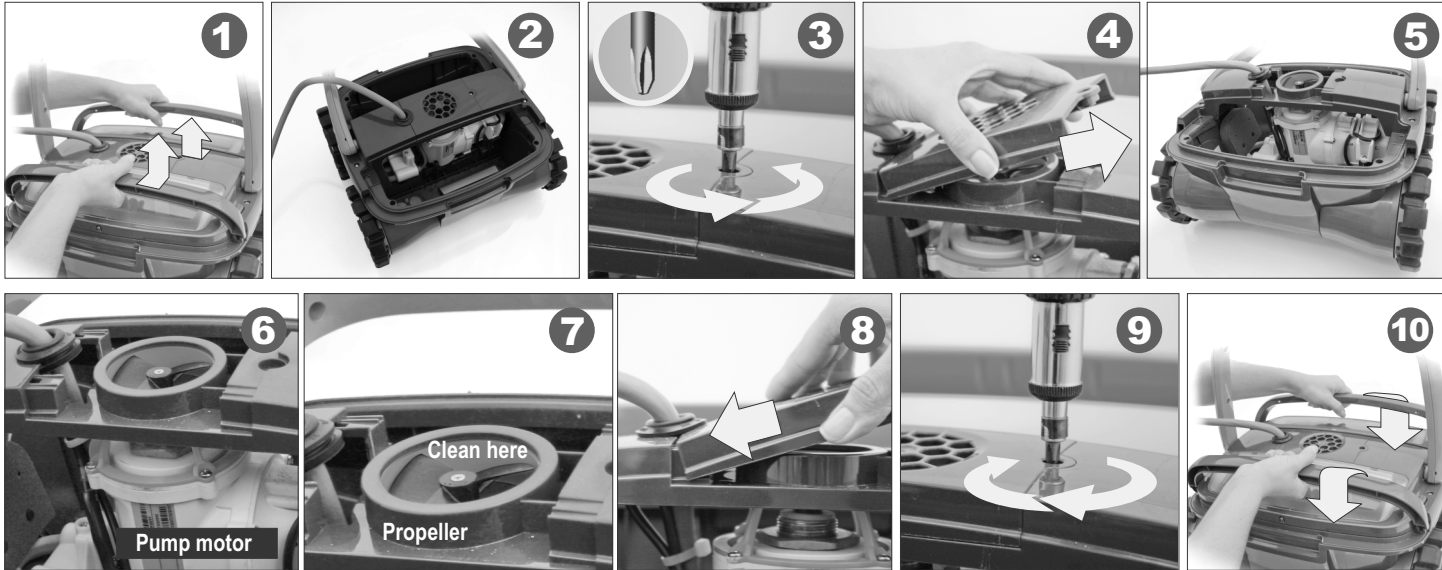
It is recommended to periodically clean debris and hair from the propeller of the water outlet:

See next page for detailed instructions

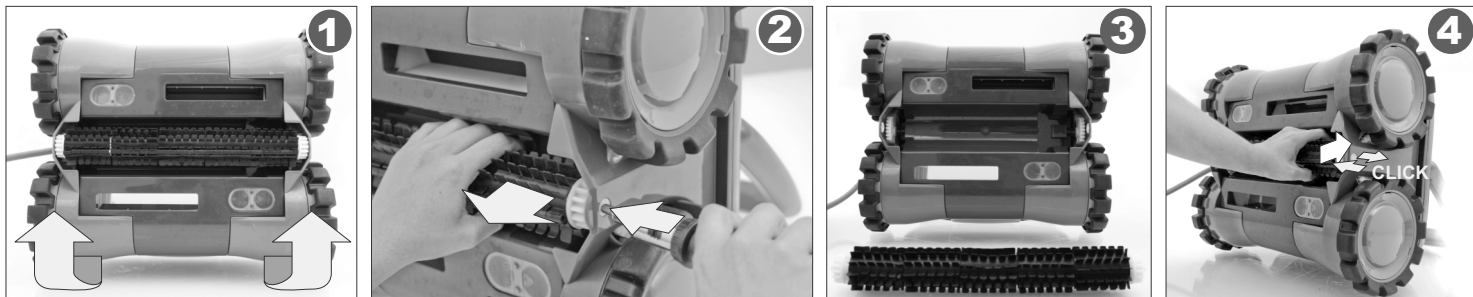
1. Remove the filters
2. Remove the screws that holds water outlet cover. (3)
3. Remove the water outlet cover (4).
4. Clean any hairs, dirt, or debris.
5. Verify that the propeller is not broken.
6. Return the cover (8) and fasten it with the screws (9).
7. Reinsert the filters



DISCONNECT THE ROBOT FROM THE POWER-SUPPLY BEFORE PERFORMING THIS ACTION



Changing the rolling brush



Troubleshooting

CLEANER DOES NOT TURN ON.

There is no electricity in the wall socket.

1. Disconnect cleaner from the power and control unit.
2. Disconnect power supply from the wall socket, wait 30 seconds and reconnect.
3. Turn power ON. If not activated, connect the unit to a different wall socket.

Floating cable not connected properly to the power and control unit.

Reconnect the floating cable to the power and control unit.

Obstacle in the drive system of the cleaner unit.

1. Turn the cleaner unit carefully to view the underside..
2. Check that the scrubbing brush is not bent/broken.
3. Clean and remove obstacles and debris if necessary.

Propeller is seized due to accumulation of hair.

Check if the propeller is broken or needs to be cleaned (see “Checking Water Outlet Propeller”).

CLEANER MOVES BUT DOES NOT PUMP WATER.

Filters are dirty.

1. Remove the filters
2. Run the robotic cleaner in the pool without the filters. If working properly, clean the filters well or replace the filters.

Propeller is broken or seized due to accumulation of hair.

Check if the propeller is broken or needs cleaning (see “Checking Water Outlet Propeller”).

CLEANER PUMPS WATER BUT DOES NOT MOVE.

Obstacle in the drive system of the cleaner unit.

1. Turn the cleaner unit carefully to view the underside.
2. Check that the scrubbing brush is not bent/broken.
3. Clean and remove obstacles and debris if necessary.

CLEANER STARTS AND SHUTS OFF AFTER A SHORT TIME.

Filters are dirty.

1. Remove the filters.
2. Run the robotic cleaner without the filters. If working properly, clean the filters well or replace the filters..

Propeller is broken or seized due to accumulation of hair.

1. Remove the top screws on the top outlet.
2. Check if the propeller is broken or needs to be cleaned.

Obstacle in the drive system of the cleaner unit.

1. Turn the cleaner unit carefully to view the underside.
2. Check that the scrubbing brush is not bent/broken.
3. Clean and remove obstacles and debris if necessary.

CLEANER DOES NOT PICK UP DIRT.

Filters are dirty or have holes.

Clean as needed and verify that there no holes in the filters.

Propeller is broken or seized due to accumulation of hair.

Check if the propeller is broken or needs cleaning (see “Checking Water Outlet Propeller”).

The suction inlet is not close enough to the pool floor.

Move the suction inlet OUT (see “Adjusting Suction Height”).

DIRT COMES OUT OF THE CLEANER WHEN REMOVING IT FROM POOL.

Filter shutter is broken or missing.

Open the filters and verify that the filter shutter is not broken and functions properly (see “Cleaning Filters”)

Holes in the filters.

Open the filters and verify that there are no holes in the filter screens (see “Cleaning Filters”)

Bottom lid is not properly closed.

Make sure that the bottom lid is properly closed.

Troubleshooting

CLEANER UNIT DOES NOT COVER THE ENTIRE POOL.

Filters are dirty.

Clean the filters.

There is not enough length of the floating cable in the water to reach the far end of the pool, or the cable is tangled.

1. Verify that there is enough length of the floating cable in the water to reach the far end of the pool.
2. Make sure that the floating cable is properly spread out and is not tangled.

Pool pH level is incorrect.

Make sure that the pH level is between 7.2 and 7.6.

Chlorine level is incorrect.

Check water chlorine treatment and correct if required (Remove the cleaner from the pool during the treatment.)

Propeller is broken or seized due to accumulation of hair.

1. Remove the top screws on the top outlet.
2. Check if the propeller is broken or needs cleaning.

Obstacle in the drive system of the cleaner unit.

1. Turn the cleaner unit carefully to view the underside.
2. Check that the scrubbing brush is not bent/broken.
3. Clean and remove obstacles and debris if necessary.

THE CLEANER DOES NOT CLIMB WALLS.

The cleaner is not climbing the pool walls.

1. Verify that your robotic cleaner is not a floor-only model.
2. Verify that P1, floor cleaning only, is not selected on the power and control unit (see “Robotic Cleaner Programming”).

Filters are dirty.

Clean the filters.

Propeller is broken or seized due to accumulation of hair.

Check if the propeller is broken or needs cleaning (see “Checking Water Outlet Propeller”).

pH level is incorrect.

Make sure that pH is between 7.2 and 7.6.

Chlorine level is incorrect.

Check water chlorine treatment (remove the cleaner from the pool during treatment).

Water temperature is not optimal.

Recommended temperature is between 22°C–32°C (72°F–90°F).

THE CABLE IS TANGLED.

Filters are dirty.

Clean the filters.

Brush is missing or broken.

Check that the scrubbing brush is complete and not bent/broken.

Cable is not spread out before putting the cleaner unit into the pool.

Make sure that the floating cable is properly spread out and not tangled before operating the robotic cleaner.

The length of the cable in the water is too long.

Verify that the length of cable in the water equal to the pool diagonal length plus two meters.

Propeller is broken or seized due to accumulation of hair.

Check if the propeller is broken or needs cleaning (see “Checking Water Outlet Propeller”).

CONSIGNES DE SÉCURITÉ IMPORTANTES

LISEZ ET SUIVEZ TOUTES LES CONSIGNES

ATTENTION : Ne branchez pas l'alimentation au secteur si le robot n'est pas entièrement submergé dans l'eau. La mise en marche du nettoyeur lors qu'il est hors de l'eau lui fera subir des dégâts importants dans l'immédiat ; cela entraînera l'invalidation de la garantie.

Laissez le nettoyeur dans l'eau pendant 15 à 20 minutes après la fin de son cycle de nettoyage ; cela permettra aux moteurs de se refroidir suffisamment. Ne laissez pas le nettoyeur dans la piscine d'une façon permanente. Souvenez-vous de toujours éteindre l'alimentation (« ARRÊT »), et de la débrancher du secteur avant de retirer le nettoyeur de la piscine.

ATTENTION DANGER : Le nettoyeur ne doit pas être utilisé pendant que des personnes se trouvent dans l'eau. Il doit être utilisé uniquement dans les piscines.



Observation de sécurité

L'appareil doit être alimenté via un dispositif différentiel (RCD) ayant un courant résiduel de défaut de pas plus de 30 mA.

Le raccord au circuit de dérivation doit être compatible avec le règlement local concernant le câblage (le code de l'électricité).

Le maniement défectueux de l'appareil peut induire la fuite de lubrifiants.

Si le câble d'alimentation est endommagé, il doit être remplacé par un câble ou un assemblage spécial, fourni par le fabricant ou par son agent du service à la clientèle.

Cet appareil peut être utilisé par les enfants âgés de 8 ans ou plus, ayant des facultés physiques, sensorielles ou mentales réduites, ou un manque d'expérience et de connaissances ; à condition qu'ils aient reçu une supervision et un apprentissage pour l'utilisation de l'appareil d'une manière sûre, et qu'ils comprennent les dangers présents.

Les enfants ne doivent pas jouer avec l'appareil.

Le nettoyage et l'entretien au niveau de l'utilisateur ne doit pas être fait par des enfants sans supervision.

ATTENTION DANGER : Un disjoncteur différentiel (GFCI aux USA), (RCD en Europe), doit être installé, afin de protéger votre prise de courant et d'empêcher l'électrocution.

CONSERVEZ BIEN CE GUIDE

Introduction

Présentation du système

Le robot nettoie le fond et les parois de la piscine pour collecter les impropriétés et les débris dans ses filtres internes. Le présent manuel explique comment faire fonctionner le robot nettoyeur, y compris les procédures de nettoyage, d'entretien et de stockage.

Remarque :

Le présent manuel passe en revue différents modèles de robots nettoyeurs. Les composants varient selon le type de modèle.

Comment le robot nettoyeur débarrasse votre piscine des saletés

Une fois placé dans la piscine et activé, le robot nettoyeur fonctionne selon le programme établi par le module de contrôle et d'alimentation. Il se déplace le long du fond et des parois de la piscine en couvrant toute la zone. Lorsque le robot nettoyeur a terminé son programme, il reste inactif au fond de la piscine.

Remarque :

L'escalade des parois est en option. Lorsque la fonction d'escalade des parois est activée, le robot nettoyeur effectue cette manœuvre par intervalles conformément à son programme interne. La capacité d'un robot nettoyeur à franchir des escaliers en piscine est soumise à la géométrie et au matériau de l'escalier.

Conditions d'utilisation

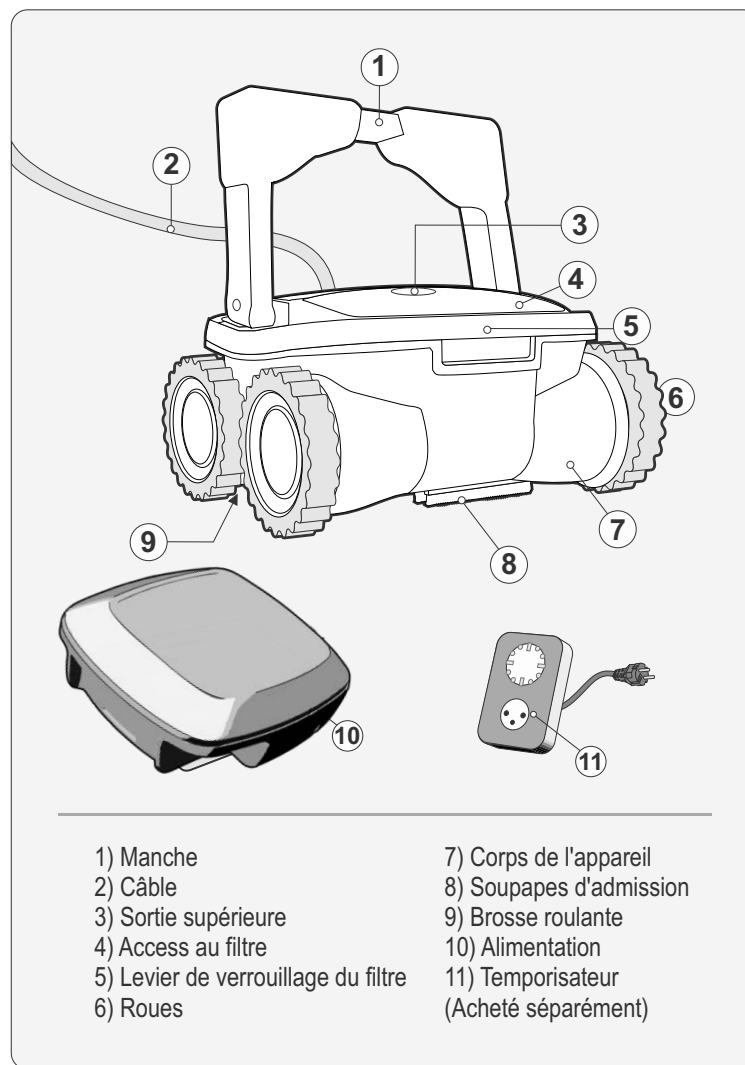
Le robot nettoyeur est conçu pour être utilisé dans les piscines dans les conditions suivantes :

- Températures comprises entre 13°C et 35°C (55°F et 95°F), la température recommandée étant comprise entre 22°C et 32°C (72°F et 90°F).
- pH de l'eau : compris entre 7,2 et 7,6
- Niveau de chlore : la piscine est maintenue selon les instructions du fabricant de la piscine.

Remarque :

L'entretien inadéquat de la piscine suivant les recommandations fournies sur les conditions de fonctionnement pourrait occasionner un mauvais fonctionnement du robot nettoyeur. Retirez le nettoyeur de l'eau lorsque vous réalisez un "traitement par choc chimique" à l'eau de la piscine.

Composants



Components

Contenu de la caisse d'emballage

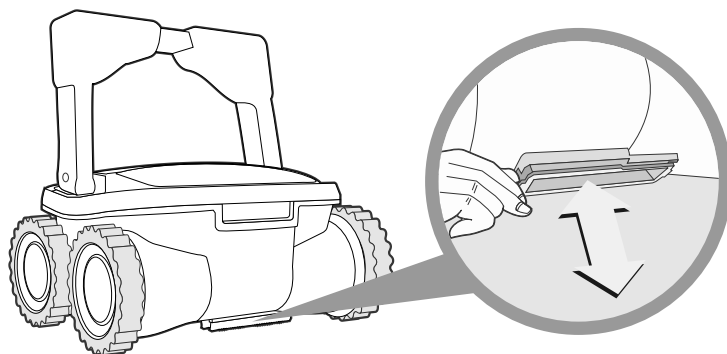
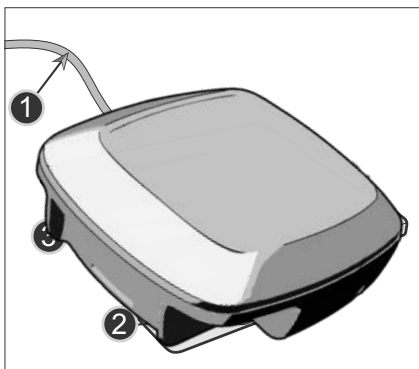
Le robot nettoyeur est emballé dans une boîte contenant :

- Robot nettoyeur et câble flottant
- Module de commande et d'alimentation
- Mode d'emploi

Module de commande et d'alimentation

Le module de commande et d'alimentation est relié au robot nettoyeur via le câble flottant. L'appareil est alimenté par secteur (1) et produit du courant à basse tension et envoie des commandes au module de nettoyage à travers la prise de courant (2).

Le module dispose d'un panneau de commande (3) avec diverses commandes pour faire fonctionner le robot nettoyeur.



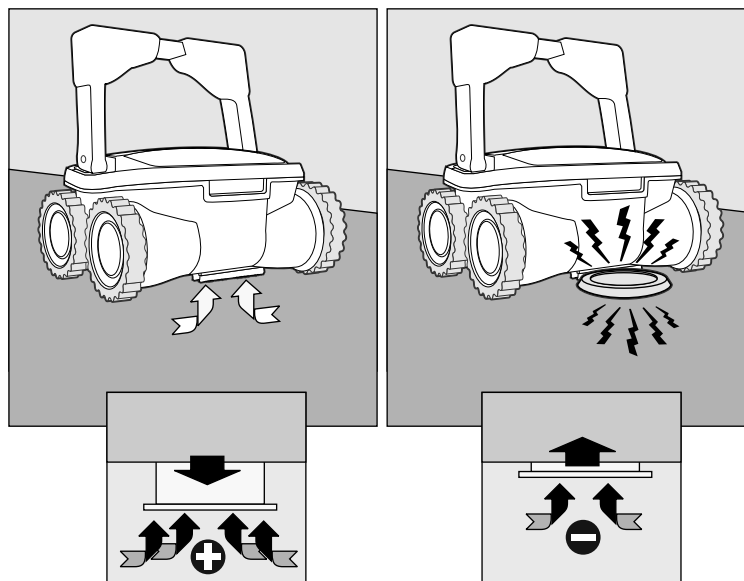
Fonctionnement

Avant la première utilisation

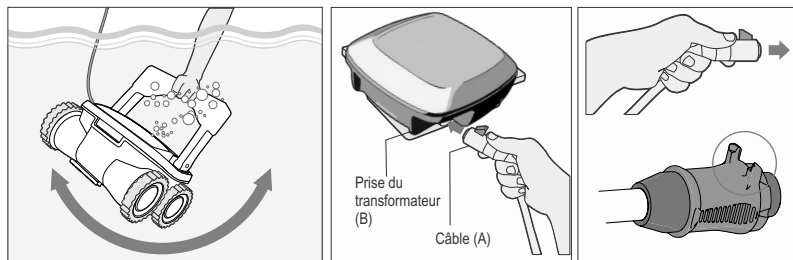
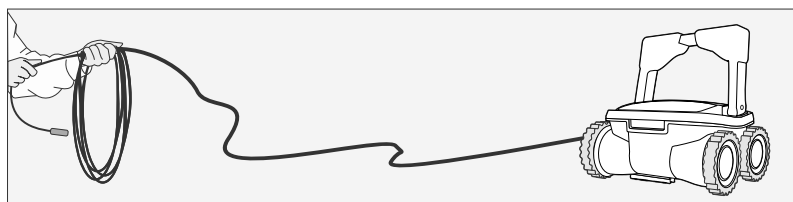
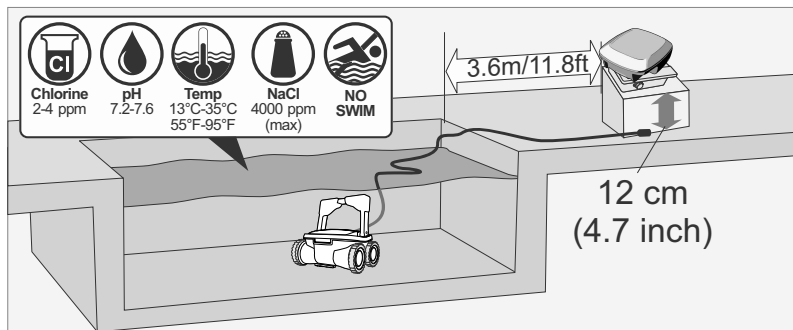
Réglage de la hauteur d'aspiration
Le positionnement de l'admission de l'aspiration (2) à proximité de la surface de la piscine augmente la puissance d'aspiration et la qualité du nettoyage. L'abaissement de l'admission d'aspiration peut causer des interférences avec les obstacles sur le fond de la piscine ou sur les parois de la piscine.

Utilisez un tournevis pour régler le bouton de position d'admission d'aspiration (1).

- IN – éloigne l'admission d'aspiration de la surface de la piscine et réduit la puissance d'aspiration.
- OUT – rapproche l'admission d'aspiration de la surface de la piscine et augmente la puissance d'aspiration.



Fonctionnement



Placer le module d'alimentation et de contrôle

- Placez le module de commande et d'alimentation à 3,6 mètres (11,8 pieds) au moins de la piscine et à 12 cm (4 pouces) au moins au-dessus de la surface.

MISE EN GARDE: Le module de commande et d'alimentation ne doit pas être exposé à l'eau ou directement aux rayons du soleil.

- Défaites les attaches en plastique des câbles flottants, qui sont utilisées pour fixer les câbles pendant le transport, en appuyant sur le fermoir plastique de l'attache.

Avant de placer le module de nettoyage dans la piscine

- Assurez-vous qu'il n'y a personne dans la piscine.
- Assurez-vous que les filtres sont propres.
- Assurez-vous que les conditions de la piscine sont remplies ; (Voir la rubrique « Conditions de fonctionnement »).

Placer le module de nettoyage dans l'eau

- Déroulez le câble flottant. Il est recommandé d'étendre une longueur de câble égale à la diagonale de la piscine, plus deux mètres supplémentaires.
- Placez le module de nettoyage dans la piscine.
- Laissez le robot nettoyeur se poser au fond de la piscine. Attendez que le robot nettoyeur ait atteint le fond de la piscine pour déclenchez le mettre en marche.
- Déployez le câble flottant dans la piscine. Assurez-vous que seule la longueur de câble requise est déployée dans la piscine. Évitez les enroulements ou les torsions de câble. Déroulez une longueur de câble supplémentaire en dehors de la piscine près du module de commande et d'alimentation.
- Branchez le câble flottant (A) à la prise (B) située sur le module de commande et d'alimentation.

MISE EN GARDE: L'utilisation du nettoyeur hors de l'eau cause de graves dommages immédiatement et se traduit par la perte de la garantie.

Fonctionnement

Démarrage du robot nettoyeur

1. Branchez le module de commande et d'alimentation à la prise secteur. Le voyant lumineux de fonctionnement (4) s'allume et le robot nettoyeur commence son programme de nettoyage. Si le module de commande et d'alimentation est déjà connecté à la prise secteur, le voyant lumineux fonctionnement (5) clignote pour indiquer que le robot nettoyeur est en mode veille. Appuyez sur le bouton Marche (6). Le voyant lumineux de fonctionnement s'allume et le robot nettoyeur commence son programme de nettoyage.

Remarque : Lorsque le voyant de vérification du filtre (3) est allumé, les filtres du robot nettoyeur doivent être nettoyés avant de placer le module de nettoyage dans la piscine. Le voyant de vérification du filtre est facultatif sur certains modèles.

Cycle de nettoyage

Pendant le cycle de nettoyage, le robot nettoyeur :

- Se déplace dans le fond de la piscine et collecte les impuretés et les débris.
- Change de direction et suit automatiquement un parcours en fonction du programme sélectionné
- Gravit les parois de la piscine à une fréquence défini dans son programme interne.

Remarque : Le robot nettoyeur peut parfois s'immobiliser pendant quelques secondes. Il ne s'agit pas d'un cas de dysfonctionnement, mais cela fait partie du fonctionnement normal.

Arrêter le robot nettoyeur

Le robot nettoyeur passe automatiquement en mode veille après chaque cycle de nettoyage et le voyant lumineux de fonctionnement (5) se met à clignoter.

Pour arrêter le robot au cours d'un cycle de nettoyage, appuyez sur la touche « Marche » (7) une fois. Le voyant lumineux de fonctionnement (7) se met à clignoter et le robot nettoyeur passe en mode veille.

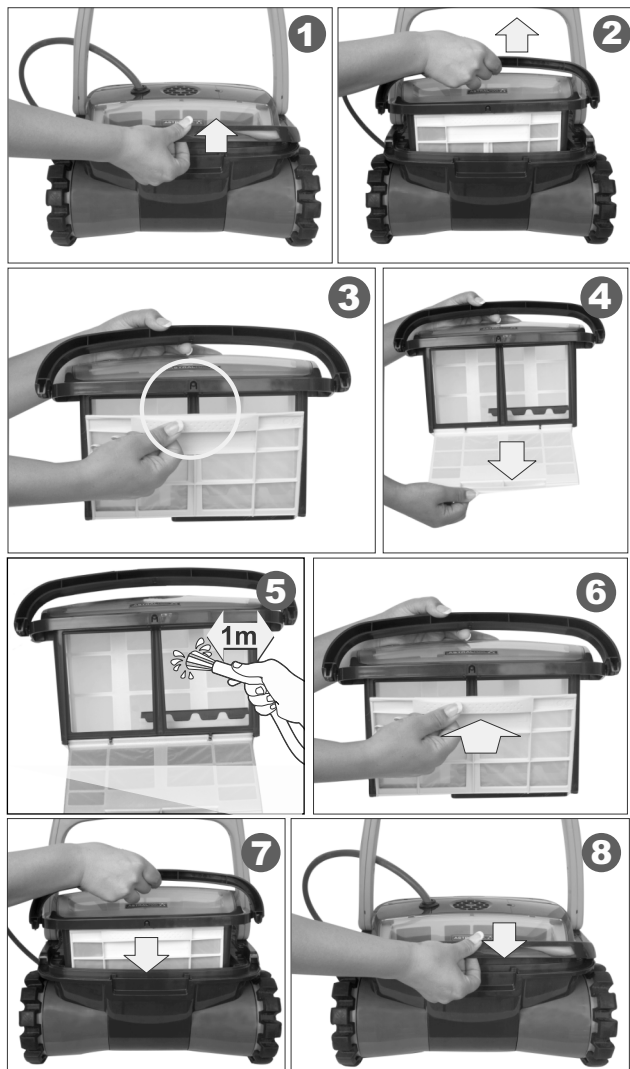
Retirer le module de nettoyage de l'eau

1. Débranchez le câble flottant du module de commande et d'alimentation.
2. Tirez sur le câble flottant pour rapprocher le module de nettoyage jusqu'à ce qu'il soit possible de saisir la poignée par la main.
3. Utilisez la poignée, soulevez le module de nettoyage pour le retirer de la piscine.

Attention: N'utilisez pas le câble flottant pour sortir le module de nettoyage de l'eau.



Maintenance



Nettoyage des filtres

Les deux filtres doivent être nettoyés après chaque cycle de nettoyage.

1. Libérez le filtre et délogez-le du module de nettoyage. (1), (2)
2. Tirez sur la porte du boîtier de filtre pour l'ouvrir. (3), (4)
3. Essorez l'eau vers l'extérieur du filtre, puis vers l'intérieur pour nettoyer toutes les impuretés et les débris. (5)
4. Vérifiez que le petit volet plastique (2) est en place et intact. Fermez le filtre. (6)
5. Logez le filtre dans son boîtier jusqu'à ce qu'un déclic se fasse entendre pour le fixer. (7), (8)

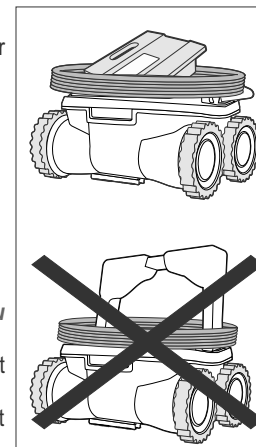
Rangement du robot nettoyeur

Suivez les consignes ci-dessous pour ranger le robot nettoyeur lorsque vous ne l'utilisez pas :

1. Débranchez le cordon d'alimentation de la prise secteur.
2. Débranchez le câble flottant du module de commande et d'alimentation.
3. Déroulez le câble flottant et redressez toutes les torsions.
4. Lavez l'intérieur du module de nettoyage à l'aide d'eau fraîche et laissez sécher.
5. Enroulez le câble flottant et placez-le sur le module de nettoyage.

Attention: N'enroulez pas le câble flottant sur la poignée du module de nettoyage.

6. Rangez les composants du robot nettoyeur dans un endroit sec et fermé.
7. Vérifiez que le module de commande et d'alimentation n'est pas exposé à l'eau.



Vérification de l'hélice de sortie de l'eau

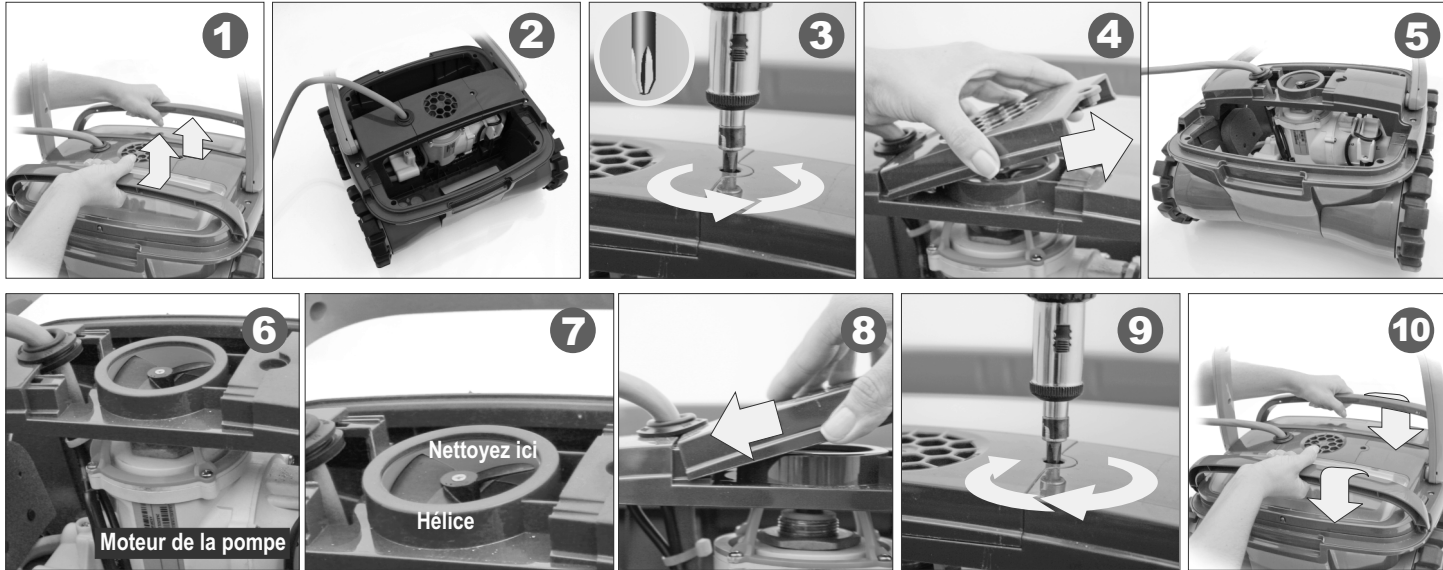
Il est recommandé de nettoyer périodiquement les débris et les cheveux de l'hélice de sortie de l'eau :

Reportez-vous à la page suivante pour des instructions détaillées

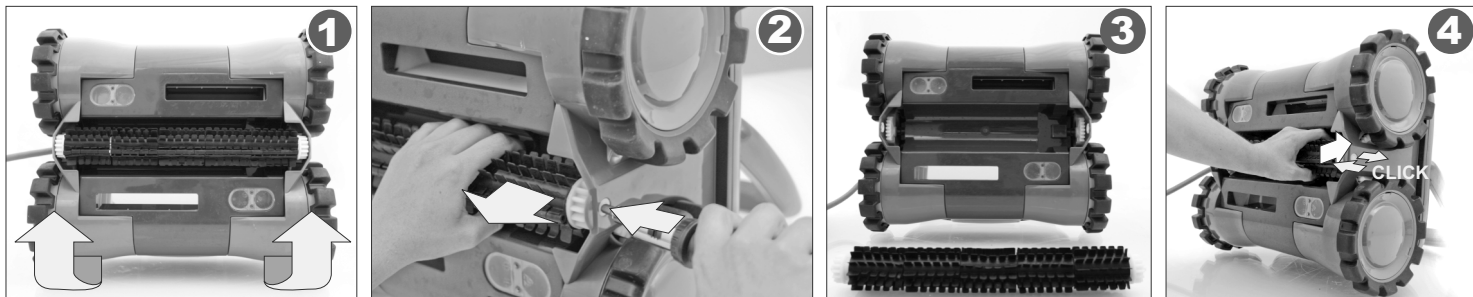
1. Retirez les filtres
2. Retirez les vis qui fixent le couvercle de la sortie de l'eau (3)
3. Retirez le couvercle de la sortie de l'eau (4)
4. Nettoyez tous cheveux, saleté ou débris
5. Vérifiez que l'hélice ne soit pas cassée
6. Reposez le couvercle (8), puis serrez-le avec les vis (9)
7. Réinsérez les filtres



DÉBRANCHEZ LE ROBOT DE L'ALIMENTATION AVANT D'ACCOMPLIR CETTE ACTION



Changement de la bosse roulante



Dépannage

LE MODULE DE NETTOYAGE NE SE MET PAS EN MARCHÉ

La prise secteur est hors tension. 1. Débranchez le module de nettoyage de celui de commande et d'alimentation.

2. Débranchez la source d'alimentation de la prise murale, attendez 30 secondes, puis rebranchez.
3. Mettez l'appareil en marche. S'il ne s'active pas, branchez-le à une différente prise secteur.

Le câble flottant n'est pas correctement branché au module de commande et d'alimentation.

Rebranchez le câble flottant au module de commande et d'alimentation.

Il y a un obstacle dans le système de transmission du module de nettoyage.

1. Tournez soigneusement l'appareil pour voir l'intérieur.
2. Vérifiez que la brosse à laver ne soit pas tordue / cassée
3. Nettoyez et enlevez les obstacles et les débris si nécessaire.

L'hélice est grippée en raison d'un amas de cheveux.

Vérifiez si l'hélice est brisée ou doit être nettoyée (voir la section « Vérification de la sortie d'eau de l'hélice »)

LE MODULE DE NETTOYAGE SE DÉPLACE SANS TOUTEFOIS POMPER DE L'EAU.

Les filtres sont sales.

1. Démontez les filtres
2. Faites fonctionner le robot nettoyeur dans la piscine sans ses filtres. En cas de fonctionnement normal, bien nettoyez les filtres ou remplacez-les.

L'hélice est brisée en raison d'un amas de cheveux.

Vérifiez si l'hélice est brisée ou doit être nettoyée (voir la section « Vérification de la sortie d'eau de l'hélice »).

LE MODULE DE NETTOYAGE POMPE DE L'EAU SANS TOUTEFOIS SE DÉPLACER.

Il y a un obstacle dans le système de transmission du module de nettoyage.

1. Tournez soigneusement l'appareil pour voir l'intérieur.
2. Vérifiez que la brosse à laver ne soit pas tordue / cassée
3. Nettoyez et enlevez les obstacles et les débris si nécessaire.

LE MODULE DE NETTOYAGE DÉMARRE PUIS S'ARRÊTE APRÈS UN BREF MOMENT.

Les filtres sont sales.

1. Démontez les filtres.
2. Faites fonctionner le robot nettoyeur sans ses filtres. En cas de fonctionnement normal, bien nettoyez les filtres ou remplacez-les.

L'hélice est brisée en raison d'un amas de cheveux.

1. Enlevez les vis supérieures du couvercle supérieur.
2. Vérifiez si l'hélice est brisée ou a besoin d'être nettoyée.

Il y a un obstacle dans le système de transmission du module de nettoyage.

1. Tournez soigneusement l'appareil pour voir l'intérieur.
2. Vérifiez que la brosse à laver ne soit pas tordue / cassée
3. Nettoyez et enlevez les obstacles et les débris si nécessaire.

LE MODULE DE NETTOYAGE NE COLLECTE PAS LA SALETÉ.

Les filtres sont sales ou sont troués.

Nettoyez comme voulu puis vérifiez que le filtre n'est pas troué.

L'hélice est brisée en raison d'un amas de cheveux.

Vérifiez si l'hélice est brisée ou doit être nettoyée (voir la section « Vérification de la sortie d'eau de l'hélice »).

L'admission de l'aspiration n'est pas assez proche du fond de la piscine.

Déplacez l'admission de l'aspiration sur OUT (voir la rubrique « Réglage de la hauteur d'aspiration »).

LA SALETÉ SORT DU MODULE DE NETTOYAGE UNE FOIS COLLECTÉE DE LA PISCINE.

La fermeture du filtre est cassée ou absente.

Ouvrez les filtres et vérifiez que l'obturateur de filtre n'est pas brisé et fonctionne correctement (voir la rubrique « Filtres de nettoyage »)

Les filtres sont perforés.

Ouvrez les filtres et vérifiez que les écrans de filtre ne sont pas troués (voir la rubrique « Filtres de nettoyage »)

Le couvercle inférieur n'est pas correctement fermé.

Assurez-vous que le couvercle inférieur est correctement fermé.

Dépannage

LE MODULE DE NETTOYAGE NE PARCOURT PAS TOUTE LA PISCINE.

Les filtres sont sales.

Nettoyez les filtres.

Il n'y a pas suffisamment de longueur de câble flottant dans l'eau pour atteindre le fond de la piscine, ou le câble est emmêlé.

1. Vérifiez qu'il y a suffisamment de longueur de câble flottant dans l'eau pour atteindre le fond de la piscine.
2. Assurez-vous que le câble flottant est bien étalé et n'est pas emmêlé.

Le niveau de pH de la piscine est incorrect.

Assurez-vous que le niveau de pH est compris entre 7,2 et 7,6.

Le niveau de chlore est incorrect.

Vérifiez le traitement au chlore de l'eau et corrigez si nécessaire (enlevez le filtre de la piscine pendant le traitement.)

L'hélice est brisée en raison d'un amas de cheveux.

1. Enlevez les vis supérieures du couvercle supérieur.
2. Vérifiez si l'hélice est brisée ou a besoin d'être nettoyée.

Il y a un obstacle dans le système de transmission du module de nettoyage.

1. Tournez soigneusement l'appareil pour voir l'intérieur.
2. Vérifiez que la brosse à laver ne soit pas tordue / cassée
3. Nettoyez et enlevez les obstacles et les débris si nécessaire.

LE MODULE DE NETTOYAGE NE GRAVIT PAS LES PAROIS.

Le module de nettoyage ne gravit pas les parois de la piscine.

1. Vérifiez que votre robot nettoyeur n'est pas un modèle de fond uniquement.
2. Vérifiez que P1, nettoyage du fond uniquement, n'est pas sélectionné sur le module de commande et d'alimentation (voir la rubrique « Programmation du robot nettoyeur »).

Les filtres sont sales.

Nettoyez les filtres.

L'hélice est brisée en raison d'un amas de cheveux.

Vérifiez si l'hélice est brisée ou doit être nettoyée (voir la section « Vérification de la sortie d'eau de l'hélice »).

Le niveau de pH est incorrect.

Assurez-vous que le niveau de pH est compris entre 7,2 et 7,6.

Le niveau de chlore est incorrect.

Vérifiez le traitement au chlore de l'eau (enlevez le module de nettoyage de la piscine pendant le traitement.)

La température de l'eau n'est pas optimale.

La température recommandée est comprise entre 22 et 32°C (72 et 90°F).

LE CÂBLE EST EMMÊLÉ.

Les filtres sont sales.

Nettoyez les filtres.

Le couvercle inférieur n'est pas correctement fermé.

Assurez-vous que le couvercle inférieur est correctement fermé.

Le câble n'est pas étalé avant de plonger le module de nettoyage dans la piscine.

Assurez-vous que le câble flottant est bien étalé et n'est pas emmêlé avant de mettre le robot nettoyeur en marche.

La longueur du câble dans l'eau excède celle recommandée.

Vérifiez que la longueur du câble dans l'eau est égale à la longueur de la diagonale de la piscine et avec un surplus de deux mètres.

L'hélice est brisée en raison d'un amas de cheveux.

Vérifiez si l'hélice est brisée ou doit être nettoyée (voir la section « Vérification de la sortie d'eau de l'hélice »).

INSTRUCCIONES DE SEGURIDAD IMPORTANTES

LEA Y SIGA TODAS LAS INSTRUCCIONES.

PRECAUCIÓN: No conecte la fuente de alimentación al enchufe ni la encienda si el robot no está totalmente sumergido en el agua. Si utiliza el limpiafondos fuera del agua causará daños graves inmediatamente e invalidará la garantía.

Deje el limpiafondos en la piscina de 15 a 20 minutos cuando finalice su ciclo de limpieza. Esto permitirá que los motores se enfríen adecuadamente. No deje el limpiafondos siempre en la piscina. Recuerde que debe apagar siempre la fuente de alimentación (ponerla en "OFF") y desenchufarla de la toma de corriente antes de retirar el limpiafondos de la piscina.

ADVERTENCIA: el limpiafondos no debe utilizarse si hay personas en el agua. Solo debe utilizarse en piscinas



Nota sobre seguridad

La unidad deberá recibir corriente a través de un dispositivo diferencial residual (DDR) que tenga una corriente residual nominal inferior a 30 mA.

La conexión al circuito debe ser compatible con las normas de cableado locales y nacionales (código eléctrico).

Una mala utilización de la unidad puede provocar la fuga de lubricantes.

Si el cable de alimentación está dañado debe reemplazarse por un cable o un conjunto de cables especial del fabricante o su agente de servicio.

Este aparato puede ser utilizado por niños mayores de 8 años y por personas con capacidades físicas, sensoriales o mentales reducidas o con falta de experiencia y conocimientos siempre que estén bajo supervisión o hayan recibido instrucciones pertinentes sobre el uso del aparato de manera segura y comprendan los peligros involucrados. Los niños no deben jugar con el aparato. La limpieza y mantenimiento del usuario no deben ser realizados por niños sin supervisión.

ADVERTENCIA: Debe instalarse un interruptor de corriente de falta a tierra (ICFT-EE. UU.) o un dispositivo de corriente residual (DCR-EUROPA) para proteger su toma de corriente eléctrica y prevenir cualquier posible descarga eléctrica.

CONSERVE ESTAS INSTRUCCIONES

Introducción

Descripción general del sistema

El robot limpiafondos barre el fondo y las paredes de la piscina para recoger la suciedad y los residuos en sus filtros internos.

Nota:

Este manual del usuario explica cómo utilizar el robot limpiafondos, incluyendo los procedimientos de limpieza, mantenimiento y de almacenamiento.

Cómo limpia el robot limpiafondos su piscina

Este manual revisa varios modelos de robot limpiafondos. Hay algunas variaciones en los componentes según el modelo específico.

Cuando el robot limpiafondos se ha colocado en la piscina y se ha encendido, funciona de acuerdo con el programa establecido a través de la unidad de alimentación y control. El robot limpiafondos se desplaza por el fondo y las paredes de la piscina, cubriendo toda la zona de la piscina. Cuando finaliza el programa, permanece inactivo en el fondo de la piscina.

Nota:

La escalada de paredes es una función opcional. Cuando la función de escalada de paredes está activada, el robot limpiafondos trepa por las paredes a intervalos según su programa interno. La capacidad de un robot limpiafondos para subir por las escaleras de una piscina está sujeta a la geometría de la escalera y a su material.

Condiciones de funcionamiento

El robot limpiafondos está diseñado para uso en piscinas en las siguientes condiciones:

- Temperaturas de entre 13 °C - 35 °C; la temperatura recomendada es de entre 22 °C - 32 °C."

- pH del agua: 7,2 - 7,6"

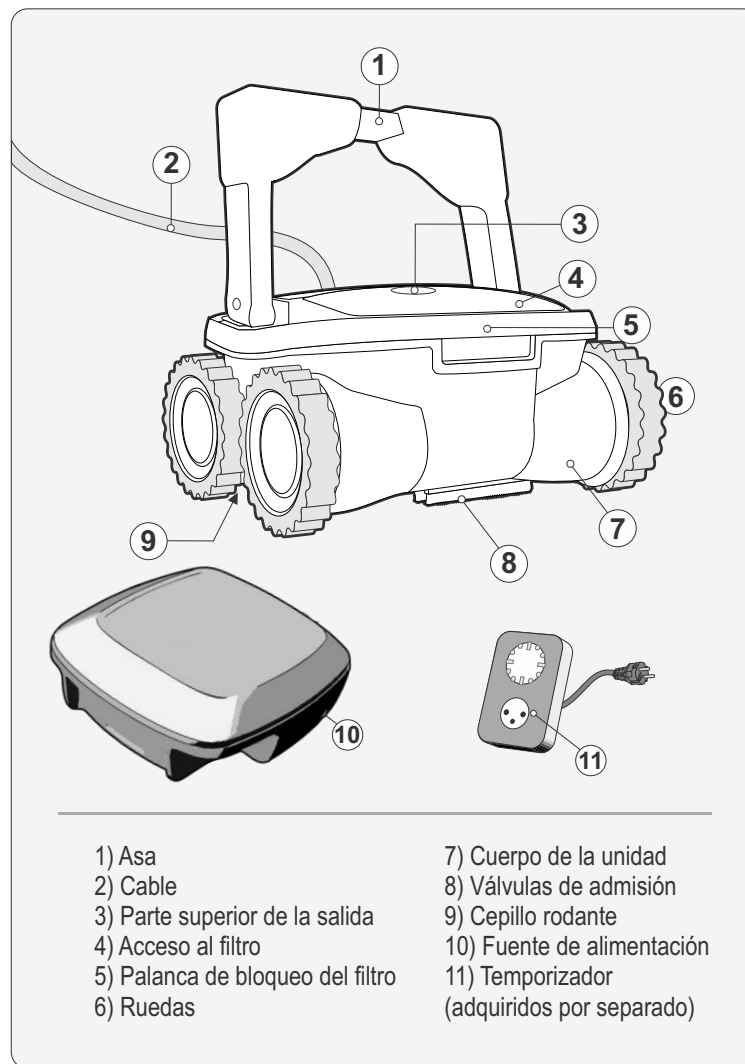
- Nivel de cloro: la piscina se mantiene de acuerdo con las instrucciones del fabricante de la piscina."

Nota:

Si la piscina no se mantiene de acuerdo con las condiciones de funcionamiento recomendadas, el robot limpiafondos podría no funcionar correctamente.

Retire el limpiador del agua cuando realice el "Tratamiento de Choque Químico" en el agua de la piscina.

Componentes



Componentes

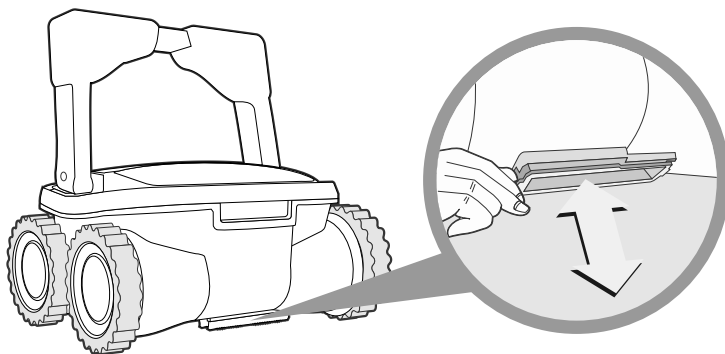
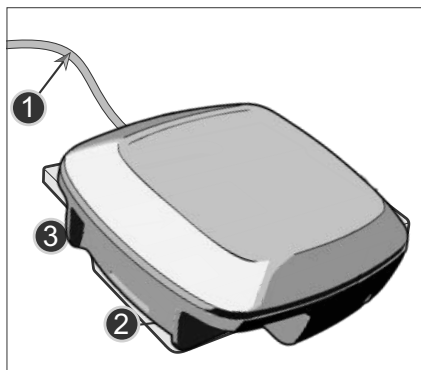
Contenido de la caja de embalaje

El robot limpiafondos está embalado en una caja que contiene:

- El robot limpiafondos y el cable flotante.
- La unidad de alimentación y control.
- El manual de usuario.

Unidad de alimentación y control

La unidad de alimentación y control está conectada al robot limpiafondos a través del cable flotante. La unidad está alimentada por corriente CA (1), suministra baja tensión y da órdenes al limpiafondos a través de la toma de corriente de salida (2). La unidad cuenta con un panel de control (3) que incluye varios controles para hacer funcionar el robot limpiafondos.



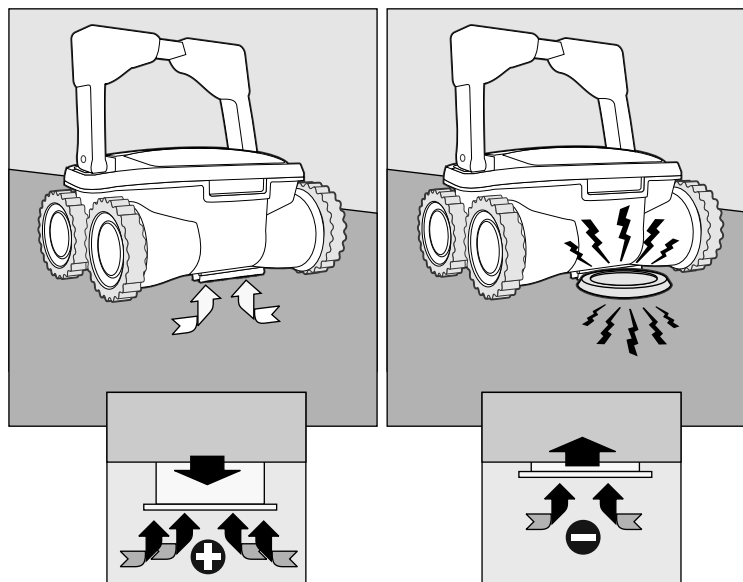
Utilización

Antes del primer uso

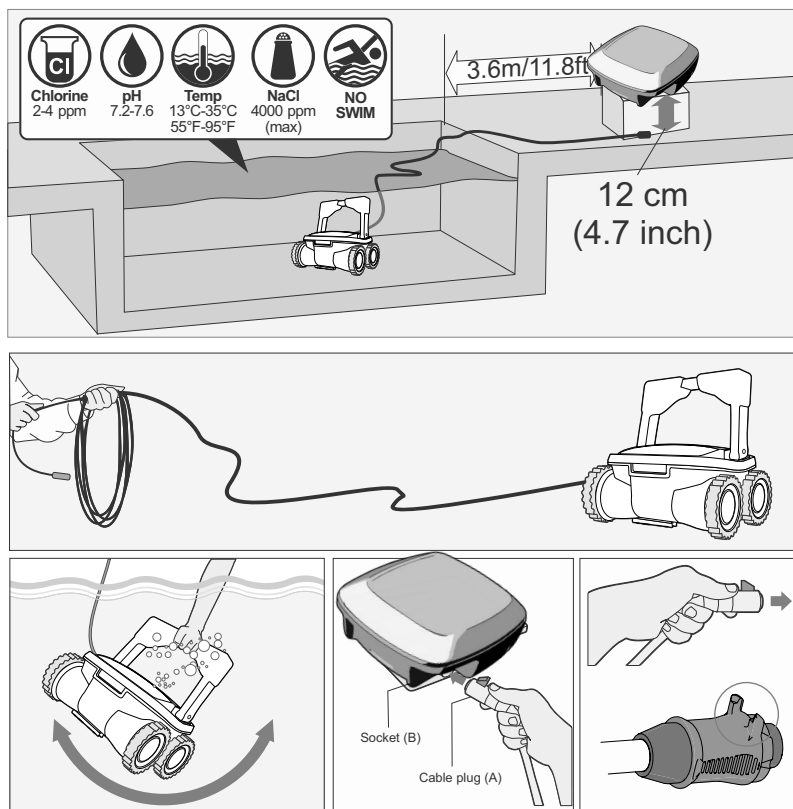
Ajuste de la altura de aspiración Al colocar la entrada de aspiración (2) cerca de la superficie de la piscina aumenta la potencia de aspiración y la calidad de la limpieza. La reducción de la entrada de aspiración podría provocar interferencias con obstáculos en el fondo o en las paredes de la piscina.

Utilice un destornillador para ajustar el mando de posición de la entrada de aspiración (1).

- IN: aleja la entrada de aspiración de la superficie de la piscina y reduce la potencia de aspiración.
- OUT: acerca la entrada de aspiración a la superficie de la piscina y aumenta la potencia de aspiración.



Utilización



Colocación de la unidad de alimentación y control

4. Coloque la unidad de alimentación y control al menos a 3,6 metros de distancia de la piscina y al menos 12 cm por encima de la superficie.

PRECAUCIÓN: La unidad de alimentación y de control no debe exponerse al agua o a la luz solar directa.

5. Libere las bridas de plástico del cable flotante, que se utilizan para sujetar los cables durante el envío, presionando el aro de plástico de las bridas.

Antes de colocar el limpiafondos en el agua

1. Asegúrese de que no haya nadie en la piscina.
2. Asegúrese de que los filtros estén limpios.
3. Asegúrese de que se cumplan las condiciones de la piscina; (consulte "Condiciones de funcionamiento").

Colocación del limpiafondos en el agua

1. Desenrolle el cable flotante. Se recomienda extender una longitud de cable equivalente a la diagonal de la piscina más dos metros adicionales.
2. Coloque el limpiafondos en la piscina.
3. Deje que el robot limpiafondos se hunda hasta el fondo de la piscina. No lo ponga en marcha antes de que esté asentado en el suelo de la piscina.
4. Extienda el cable flotante por la piscina. Asegúrese de extender sólo la longitud necesaria del cable por la piscina. Deshaga los enredos o torceduras del cable. Enrolle el cable adicional fuera de la piscina cerca de la unidad de alimentación y control.
5. Conecte el cable flotante (A) a la toma (B) ubicada en la unidad de alimentación y control.

PRECAUCIÓN: La utilización del limpiafondos fuera del agua causa graves daños inmediatos y ocasiona la pérdida de la garantía.

Utilización

Puesta en marcha del robot limpiafondos

1. Conecte la unidad de alimentación y control a la toma de la pared. El LED de funcionamiento (4) se enciende y el robot limpiafondos inicia su programa de limpieza.

Si la unidad de alimentación y de control ya está conectada a la toma de CA, el LED de funcionamiento (5) parpadea para indicar que el robot limpiafondos está en modo de espera.

Pulse el botón de funcionamiento (6). El LED de funcionamiento se enciende y el robot limpiafondos comienza el programa de limpieza.

Nota: cuando se enciende el LED de comprobación del filtro, los filtros del robot limpiafondos deben limpiarse antes de colocar el robot en la piscina. El LED de comprobación del filtro es opcional en algunos modelos.

Ciclo de limpieza

Durante el ciclo de limpieza, el robot limpiafondos:

- Se desplaza por el fondo de la piscina recogiendo la suciedad y los residuos.
- Cambia de dirección y gira automáticamente según el programa seleccionado
- Trepa por las paredes de la piscina cada pocos minutos, según lo establecido en su programa interno.

Nota: ocasionalmente, el robot limpiafondos puede dejar de moverse durante unos segundos. Esto forma parte del funcionamiento normal, no indica ninguna avería.

Parada de funcionamiento del robot limpiafondos

El robot limpiafondos se mueve automáticamente al modo de espera (STANDBY) después de cada ciclo de limpieza, y el LED de funcionamiento (5) empezará a parpadear.

Para detener el funcionamiento del limpiafondos durante un ciclo de limpieza, presione el botón de funcionamiento (7) una vez. El LED de funcionamiento (7) empezará a parpadear y el limpiafondos pasará a estar en modo de espera."

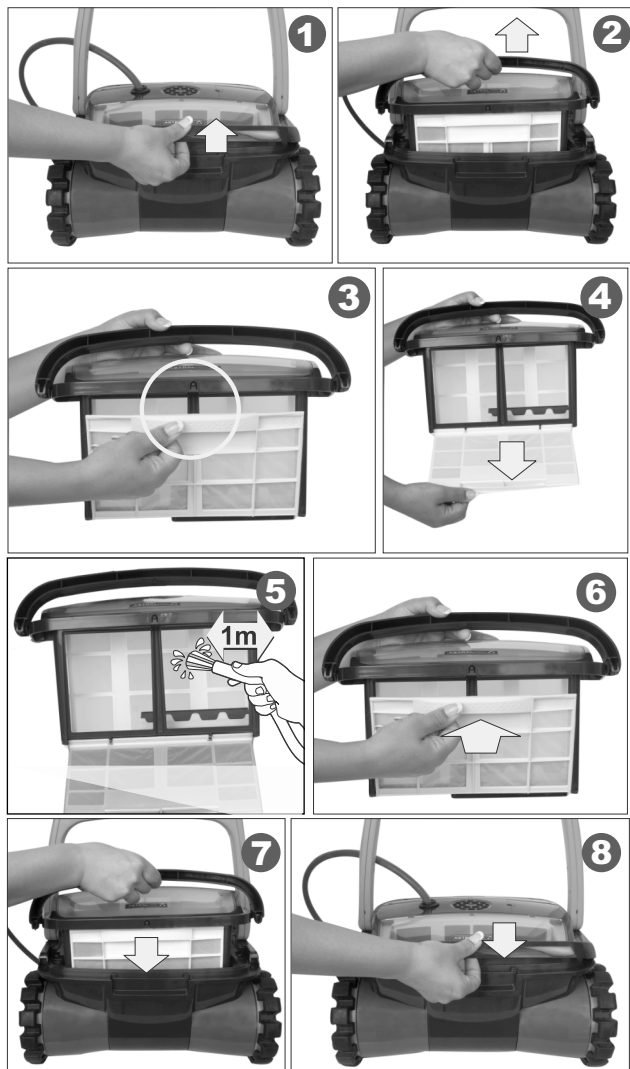
Extracción del limpiafondos del agua

1. Desconecte el cable flotante de la unidad de alimentación y control.
2. Tire hacia arriba el cable flotante para acercar la unidad del limpiafondos hasta que sea posible agarrar el asa.
3. Agarrando el asa, levante el limpiafondos para extraerlo de la piscina.

Precaución: No utilice el cable flotante para extraer el limpiafondos fuera del agua.



Mantenimiento



Filtros de limpieza

Los dos filtros deben limpiarse después de cada ciclo de limpieza.

1. Suelte el filtro y sáquelo del limpiafondos. (1), (2)
2. Tire de la puerta del filtro contra la carcasa del filtro para abrir la caja del filtro. (3), (4)
3. Rocíe agua sobre los lados exteriores del filtro y luego hacia el lado interno del filtro para limpiar toda la suciedad y los escombros. (5)
4. Compruebe que el obturador de plástico pequeño (2) esté en su lugar y no esté roto. (6)
5. Introduzca el filtro en su lugar hasta oír un clic para asegurarlo. (7), (8)

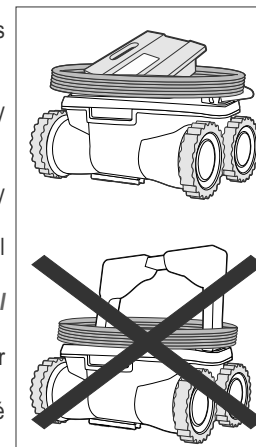
Almacenamiento del robot limpiafondos

Siga estas instrucciones para almacenar el robot limpiafondos cuando no esté en uso:

1. Desconecte el cable de alimentación de la toma de la pared.
2. Desconecte el cable flotante de la unidad de alimentación y control.
3. Extienda el cable flotante y elimine los enredos del cable.
4. Limpie el espacio interior del limpiafondos con agua limpia y deje que se seque.
5. Enrolle el cable flotante y colóquelo en la unidad del limpiafondos.

Precaución: No enrolle el cable flotante en el asa del limpiafondos.

6. Guarde los componentes del robot limpiafondos en un lugar seco y cerrado.
7. Compruebe que la unidad de alimentación y control no esté expuesta al agua.



Comprobación de la hélice de salida de agua

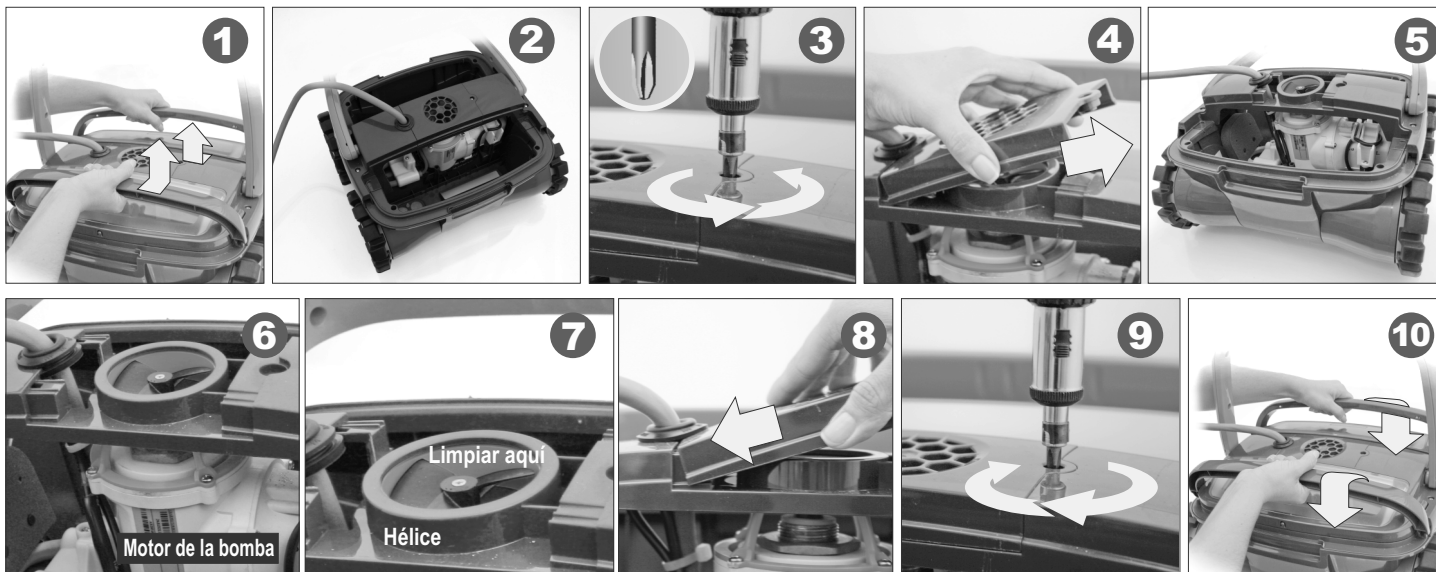
Se recomienda que limpie periódicamente la suciedad y los pelos de la hélice de salida de agua:

Consulte la siguiente página para ver instrucciones detalladas

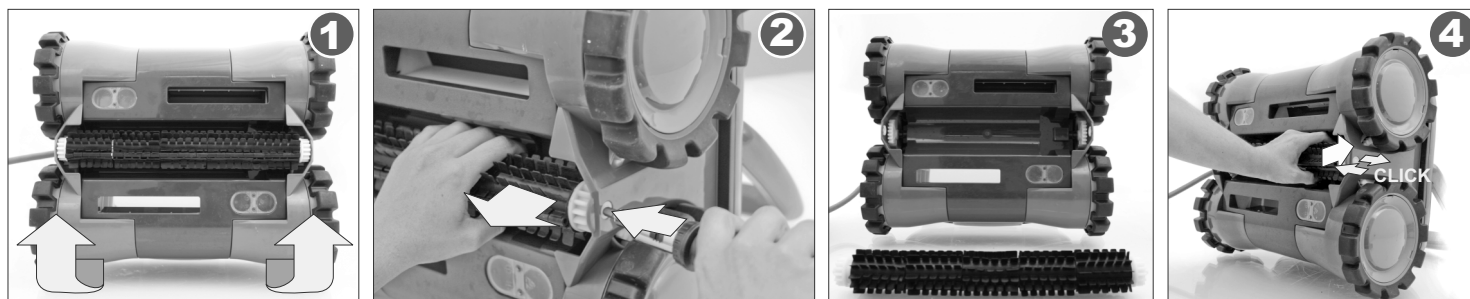
1. Extraiga los filtros
2. Retire los tornillos que sujetan la cubierta de la salida de agua. (3)
3. Retire la cubierta de la salida de agua (4).
4. Limpie todos los pelos, suciedad o residuos.
5. Compruebe que la hélice no esté rota.
6. Vuelva a colocar la tapa (8) y fíjela con los tornillos (9).
7. Vuelva a colocar los filtros



DESCONECTE EL ROBOT DE LA FUENTE DE ALIMENTACIÓN ANTES DE REALIZAR ESTE PROCEDIMIENTO



Cambiar el cepillo rodante



Solución de problemas

EL LIMPIAFONDOS NO SE ENCIENDE.

No hay electricidad en la toma de pared.

1. Desconecte el limpiafondos de la unidad de alimentación y control.
2. Desconecte la fuente de alimentación de la toma de pared, espere 30 segundos y vuelva a conectarla.
3. Encienda el limpiafondos. Si no se activa, conecte la unidad a un enchufe diferente.

El cable flotante no está conectado correctamente a la unidad de alimentación y control.

Vuelva a conectar el cable flotante a la unidad de potencia y control.

Hay un obstáculo en el sistema motor de la unidad del limpiafondos.

1. Encienda el limpiafondos con cuidado para ver su parte inferior.
2. Compruebe que el cepillo de fregar no está doblado/roto.
3. Limpie y elimine los obstáculos y la suciedad si es necesario.

La hélice está agarrada debido a la acumulación de pelos.

Compruebe si la hélice está rota o necesita limpiarse (véase "Comprobación de la hélice de salida de agua").

EL LIMPIAFONDOS SE MUEVE PERO NO BOMBEA AGUA.

Los filtros están sucios.

1. Retire los filtros
2. Haga funcionar el robot limpiafondos en la piscina sin los filtros. Si funciona correctamente, limpie a fondo los filtros o sustitúyalos.

La hélice está rota o agarrada debido a la acumulación de pelos.

Compruebe si la hélice está rota o necesita limpiarse (véase "Comprobación de la hélice de salida de agua").

EL LIMPIAFONDOS BOMBEA AGUA PERO NO SE MUEVE.

Hay un obstáculo en el sistema motor de la unidad del limpiafondos.

1. Encienda el limpiafondos con cuidado para ver su parte inferior.
2. Compruebe que el cepillo de fregar no está doblado/roto.
3. Limpie y elimine los obstáculos y la suciedad si es necesario.

EL LIMPIAFONDOS SE INICIA Y SE APAGA TRAS UN BREVE PERIODO DE TIEMPO.

Los filtros están sucios.

1. Extraiga los filtros.
2. Haga funcionar el robot limpiafondos sin los filtros. Si funciona correctamente, limpie los filtros a fondo o sustitúyalos.

La hélice está rota o agarrada debido a la acumulación de pelos.

1. Retire los tornillos superiores en la salida superior.
2. Compruebe si la hélice está rota o necesita limpiarse.

Hay un obstáculo en el sistema motor de la unidad del limpiafondos.

1. Encienda el limpiafondos con cuidado para ver su parte inferior.
2. Compruebe que el cepillo de fregar no está doblado/roto.
3. Limpie y elimine los obstáculos y la suciedad si es necesario.

EL LIMPIAFONDOS NO RECOGE LA SUCIEDAD.

Los filtros están sucios o tienen agujeros.

Limpie según sea necesario y verifique que no haya agujeros en los filtros.

La hélice está rota o agarrada debido a la acumulación de pelos.

Compruebe si la hélice está rota o necesita limpiarse (véase "Comprobación de la hélice de salida de agua").

La entrada de aspiración no está lo suficientemente cerca del fondo de la piscina.

Desplace la entrada de aspiración HACIA FUERA (consulte "Ajuste de la altura de aspiración").

SALE SUCIEDAD DEL LIMPIAFONDOS AL SACARLO DE LA PISCINA.

El obturador del filtro está roto o no está colocado.

Abra los filtros y compruebe que el obturador del filtro no esté roto y funcione correctamente (véase "Limpieza de los filtros")

Hay orificios de los filtros.

Abra los filtros y compruebe que no haya ningún orificio en las mallas del filtro (véase "Limpieza de los filtros")

La tapa inferior no está correctamente cerrada.

Asegúrese de que la tapa inferior esté bien cerrada.

Solución de problemas

EL LIMPIAFONDOS NO CUBRE TODA LA PISCINA.

Los filtros están sucios.

Limpie los filtros.

No hay suficiente longitud del cable flotante en el agua para llegar al otro extremo de la piscina, o el cable está enredado.

1. Compruebe que haya suficiente longitud de cable flotante en el agua para llegar al otro extremo de la piscina.
2. Asegúrese de que el cable flotante esté correctamente extendido y no esté enredado."

El ángulo del asa flotante afecta el movimiento del limpiafondos.

Aumente el ángulo diagonal del asa flotante (véase "Asa flotante").

El nivel del pH de la piscina es incorrecto.

Asegúrese que el nivel de pH esté entre 7,2 y 7,6.

El nivel de cloro es incorrecto.

Compruebe el tratamiento de cloro del agua y corrija si es necesario (extraiga el limpiafondos de la piscina durante el tratamiento.)

La hélice está rota o agarrotada debido a la acumulación de pelos.

1. Retire los tornillos superiores en la salida superior.
2. Compruebe si la hélice está rota o necesita limpiarse."

Hay un obstáculo en el sistema motor de la unidad del limpiafondos.

1. Encienda el limpiafondos con cuidado para ver su parte inferior.
2. Gire las guías y escobillas de fregado con la mano. Deben girar, pero no libremente.
3. Limpie y elimine los obstáculos y la suciedad si es necesario.
Comprobación de la hélice de salida de agua

EL LIMPIAFONDOS NO TREPA POR LAS PAREDES.

El limpiafondos no trepa por las paredes de la piscina.

1. Verifique que su robot limpiafondos no es un modelo sólo para el fondo.
2. Compruebe que no se haya seleccionado la opción P1 (limpieza solamente del fondo) en la unidad de alimentación y control (véase "Programación del robot limpiafondos").

Los filtros están sucios.

Limpie los filtros.

La hélice está rota o agarrotada debido a la acumulación de pelos.

Compruebe si la hélice está rota o necesita limpiarse (véase "Comprobación de la hélice de salida de agua").

El nivel de pH es incorrecto.

Asegúrese de que el pH esté entre 7,2 y 7,6.

El nivel de cloro es incorrecto.

Compruebe el tratamiento de cloro del agua (extraiga el limpiafondos de la piscina durante el tratamiento).

La temperatura del agua no es óptima.

La temperatura recomendada es de entre 22° C a 32° C.

EL CABLE ESTÁ ENREDADO.

Los filtros están sucios.

Limpie los filtros.

El cepillo falta o está roto.

Compruebe que el cepillo de fregar esté entero y no esté doblado/roto.

El cable no se ha extendido antes de poner el limpiafondos en la piscina.

Asegúrese de que el cable flotante esté correctamente extendido y no se enrede antes de hacer funcionar el robot limpiafondos.

La longitud del cable en el agua es demasiado larga.

Compruebe que la longitud del cable en el agua sea igual a la longitud de la diagonal de la piscina más dos metros.

La hélice está rota o agarrotada debido a la acumulación de pelos.

Compruebe si la hélice está rota o necesita limpiarse (véase "Comprobación de la hélice de salida de agua").

WICHTIGE SICHERHEITSHINWEISE

BITTE LESEN UND BEFOLGEN SIE ALLE ANWEISUNGEN

ACHTUNG: Schließen Sie die Stromversorgung nicht an eine Steckdose an oder schalten den Strom ein, wenn das Gerät nicht vollständig im Wasser eingetaucht ist. Das Betätigen des Reinigers außerhalb des Wassers führt sofort zu ernsthaften Schäden und zum Verlust der Garantie.

Belassen Sie den Reiniger zwischen 15 und 20 Minuten im Schwimmbecken bis zum Ende seines Reinigungszyklus. Dadurch werden die Motoren ausreichend gekühlt. Belassen Sie den Reiniger nicht die ganze Zeit im Schwimmbecken. Denken Sie immer daran, die Stromversorgung auf „OFF (AUS)“ zu schalten und den Stromanschluss aus der Netzsteckdose zu ziehen, bevor Sie den Reiniger aus dem Schwimmbecken entfernen.

VORSICHT: Verwenden Sie nicht Ihren Reiniger, während sich Menschen im Schwimmbecken befinden. Nur für das Schwimmbecken verwenden.

Sicherheitshinweis



Das Gerät muss mit einem Fehlerstromschutzschalter (RCD) ausgestattet sein, der einen restlichen Nennbetriebsstrom von 30 mA nicht überschreitet.

Der Anschluss zum Abzweigstromkreis sollte mit den örtlichen und nationalen Verdrahtungsvorschriften (Sicherheitsstandard für Elektroinstallationen) übereinstimmen.

Falsche Bedienung des Gerätes kann zum Auslaufen von Schmiermitteln führen.

Sollte das Netzkabel beschädigt sein, muss es mit einem Spezialkabel oder Bauteil von einem Wartungsservice des Herstellers ersetzt werden.

Der Umgang mit diesem Elektrogerät ist für Kinder ab 8 Jahren mit körperlichen, sensorischen oder geistigen Einschränkungen, oder mit mangelnden Erfahrungen und Kenntnissen geeignet, wenn sie beim Umgang mit dem Gerät von einer für ihre Sicherheit verantwortlichen Person beaufsichtigt und über die möglichen Gefahren belehrt wurden. Kinder sollten nicht mit diesem Gerät spielen. Reinigung und Wartung sollte nicht von unbeaufsichtigten Kindern durchgeführt werden.

VORSICHT: Ein Erdschlussstromunterbrecher (GFCI-USA) oder ein Fehlerstromschutzschalter (RCD-EUROPA) muss installiert werden, um Ihre Steckdose zu schützen und mögliche Stromschläge zu verhindern.

BEWAHREN SIE DIESE ANLEITUNGEN SORGFÄLTIG AUF.

Einführung

Systemübersicht

Der robotische Reiniger säubert den Boden und die Wände des Schwimmbeckens, um Schmutz und Verunreinigung in seinen internen Filtern zu sammeln. Diese Bedienungsanleitung erklärt, wie man den robotischen Reiniger einschließlich Reinigung, Wartung und Lagerung bedient.

Hinweis: Diese Anleitung bespricht mehrere Modelle von robotischen Reinigern. Einige Variationen von Komponenten sind gemäß dem spezifischen Modell vorhanden.

Wie der Robotische Reiniger Ihr Schwimmbecken reinigt

Nachdem der robotische Reiniger im Schwimmbecken platziert und aktiviert wurde, arbeitet er das Programm ab, das auf der Strom- und Steuereinheit eingestellt wurde. Der robotische Reiniger bewegt sich entlang des Bodens und der Wände des Schwimmbeckens, um den vollständigen Bereich abzudecken. Wenn der robotische Reiniger sein Programm beendet hat, verbleibt er inaktiv auf dem Schwimmbeckenboden.

Hinweis: Das Wändeklettern ist eine optionale Funktion. Ist die Wändekletter-Funktion aktiviert, steigt der robotische Reiniger in Intervallen die Wand hoch, die durch sein internes Programm festgelegt wurden. Die Fähigkeit des Reinigers im Schwimmbecken über Stufen zu klettern, hängt von der Stufengeometrie und dem Material ab.

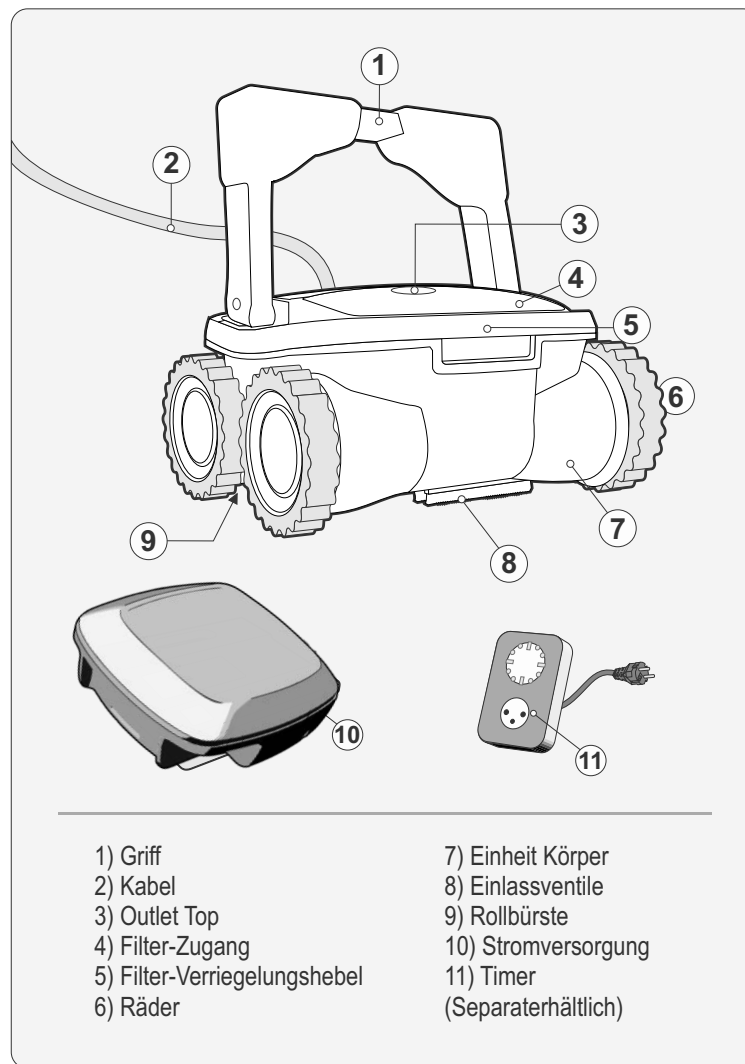
Betriebsbedingungen

Der robotische Reiniger ist ausschließlich für den Einsatz in Schwimmbecken unter folgenden Bedingungen geeignet:

- Temperaturen von 13 °C - 35 °C (55 °F - 95 °F), empfohlene Temperatur zwischen 22 °C - 32 °C (72 °F - 90 °F).
- Wasser pH : 7,2 - 7,6
- Chlorgehalt: das Schwimmbecken wird entsprechend der Herstellerangaben instandgehalten.

Hinweis: Werden diese empfohlenen Betriebsbedingungen für das Schwimmbecken nicht eingehalten, könnte der robotische Reiniger nicht richtig funktionieren.

Komponenten



Komponenten

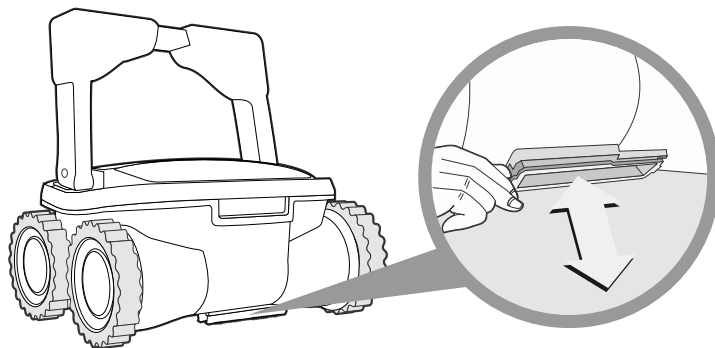
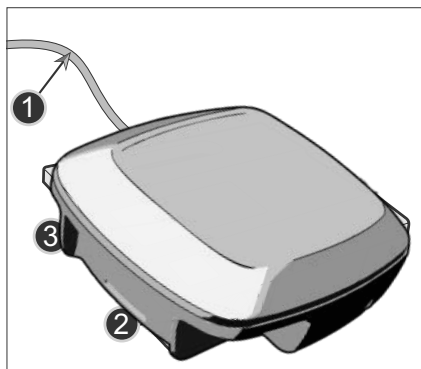
Inhalt der Verpackung

Der robotische Reiniger befindet sich in einer Verpackung mit folgendem Inhalt:

- Robotischer Reiniger und Schwimmkabel
- Strom- und Steuereinheit
- Bedienungsanleitung

Strom- und Steuereinheit

Die Strom- und Steuereinheit ist mit dem robotischen Reiniger durch ein Schwimmkabel verbunden. Das Gerät wird mit Wechselstrom (1) gespeist und versorgt den Reiniger mit Niederspannung und Befehlen aus der Steckdose (2). Es besitzt eine Steuerkonsole (3) mit verschiedenen Steuerfunktionen, um den robotischen Reiniger zu bedienen.

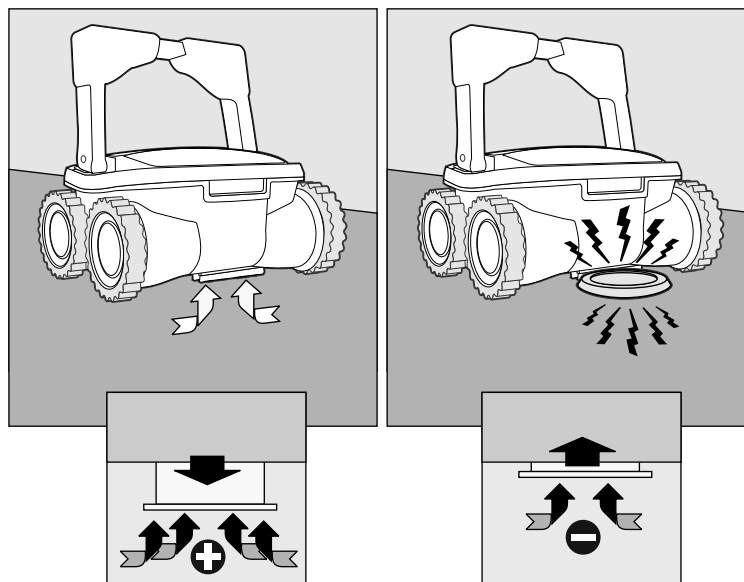


Betrieb

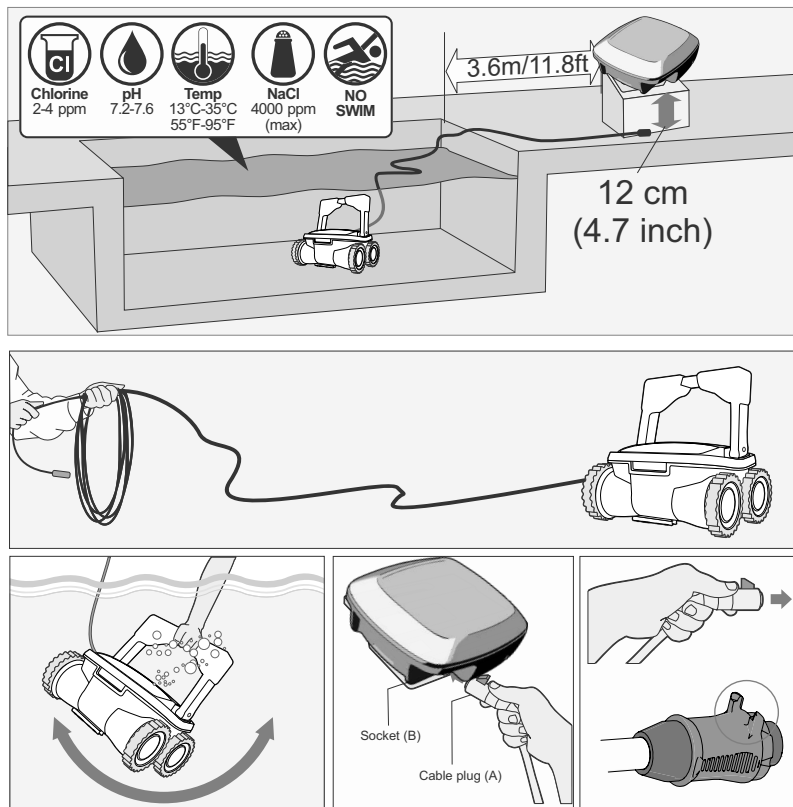
Vor der ersten Inbetriebnahme

Einstellung der Saughöhe: Die Positionierung der Saugöffnung (2) nahe der Schwimmbecken-Oberfläche erhöht die Saugleistung und die Reinigungsqualität. Das Senken der Saugöffnung könnte zur Interferenz mit Hindernissen auf dem Boden oder den Wänden des Schwimmbeckens führen. Verwenden Sie einen Schraubenzieher, um den Einstellknopf der Saugöffnung (1) zu justieren.

- IN – bewegt die Saugöffnung von der Schwimmbecken-Oberfläche weg und vermindert die Saugleistung.
- OUT – bewegt die Saugöffnung näher zur Schwimmbecken-Oberfläche und erhöht die Saugleistung.



Betrieb



Platzierung der Strom- und Steuereinheit

4. Platzieren Sie die Strom- und Steuereinheit mindestens 3,6 Meter/11,8 Fuß vom Schwimmbecken und mindestens 12 cm/4 Zoll über der Oberfläche.

VORSICHTSMASSNAHMEN: Die Strom- und Steuereinheit sollte keinem direkten Sonnenlicht oder Wasser ausgesetzt sein

5. Lösen Sie das Schwimmkabel vom den Plastikbändern, die die Kabel während des Versandes sichern, indem Sie die Plastikschnapper auf den Bändern drücken.

Bevor Sie den Reiniger ins Wasser lassen:

1. Achten Sie darauf, dass sich keine Personen im Schwimmbecken befinden.
2. Achten Sie darauf, dass die Filter sauber sind.
3. Achten Sie auf die Einhaltung der Bedingungen für Schwimmbecken; (siehe "Betriebsbedingungen").

Absetzen des Reinigers ins Wasser

1. Rollen Sie das Schwimmkabel ab. Es wird empfohlen, die Kabellänge zu verlängern, damit sie der Schwimmbeckendiagonale plus 2 Meter entspricht.
2. Setzen Sie den Reiniger im Schwimmbecken ab.
3. Lassen Sie den Reiniger auf den Grund des Schwimmbeckens sinken. Fangen Sie nicht mit dem Betrieb an, bevor sich der robotische Reiniger auf den Schwimmbeckenboden abgesetzt hat.
4. Verteilen Sie das Schwimmkabel über das Schwimmbecken. Achten Sie darauf, dass nur die erforderliche Kabellänge über das Schwimmbecken verteilt wird. Glätten Sie Windungen oder Verdrehungen im Kabel. Rollen Sie Extrakabel außerhalb des Schwimmbeckens in der Nähe von der Strom- und Steuereinheit auf.
5. Verbinden Sie das Schwimmkabel (A) mit der Anschlussbuchse (B) auf der Strom- und Steuereinheit.

VORSICHTSMASSNAHMEN: Das Betätigen des Roboters außerhalb des Wassers führt sofort zu ernsthaften Schäden und zum Verlust der Garantie.

Betrieb

Inbetriebnahme des robotischen Reinigers

Schließen Sie die Strom- und Steuereinheit an die Steckdose an. Die Betriebs-LED (1) leuchtet auf und der robotische Reiniger fängt mit seinem Reinigungsprogramm an.

Wenn die Strom- und Steuereinheit bereits an die Netzsteckdose angeschlossen ist, blinkt die Betriebs-LED (5) auf, um anzuzeigen, dass der robotische Reiniger im Standby-Modus ist.

Drücken Sie die Bedientaste (6). Die Betriebs-LED leuchtet auf und der robotische Reiniger fängt mit seinem Reinigungsprogramm an."

Hinweis: Wenn die LED "Filter überprüfen" aufleuchtet, müssen die Filter des robotischen Reinigers im Schwimmbecken gereinigt werden, bevor Sie den Reiniger ins Wasser lassen. Die LED "Filter überprüfen" ist in einigen Modellen optional.

Reinigungszyklus

Während des Reinigungszyklus sollte der robotische Reiniger:

- Über den Schwimmbeckenboden laufen, um Schmutz und Verunreinigungen aufzusammeln.
- Automatisch gemäß dem ausgewählten Programm lenken und drehen.
- Schwimmbeckenwände alle paar Minuten hochklettern, wie in seinem internen Programm eingestellt.

Hinweis: Der robotische Reiniger könnte gelegentlich aufhören, sich für paar Sekunden zu bewegen. Das ist ein Teil des Normalbetriebes, keine Fehlfunktion.

Den Betrieb des robotischen Reinigers anhalten

Der robotische Reiniger geht automatisch nach jedem Reinigungszyklus in STANDBY und die Betriebs-LED (5) blinkt auf.

Um den Reinigerbetrieb während eines Reinigungszyklus anzuhalten, drücken Sie die Bedientaste (7) einmal. Die Betriebs-LED (7) blinkt auf und der Reiniger ist im Standby-Modus.

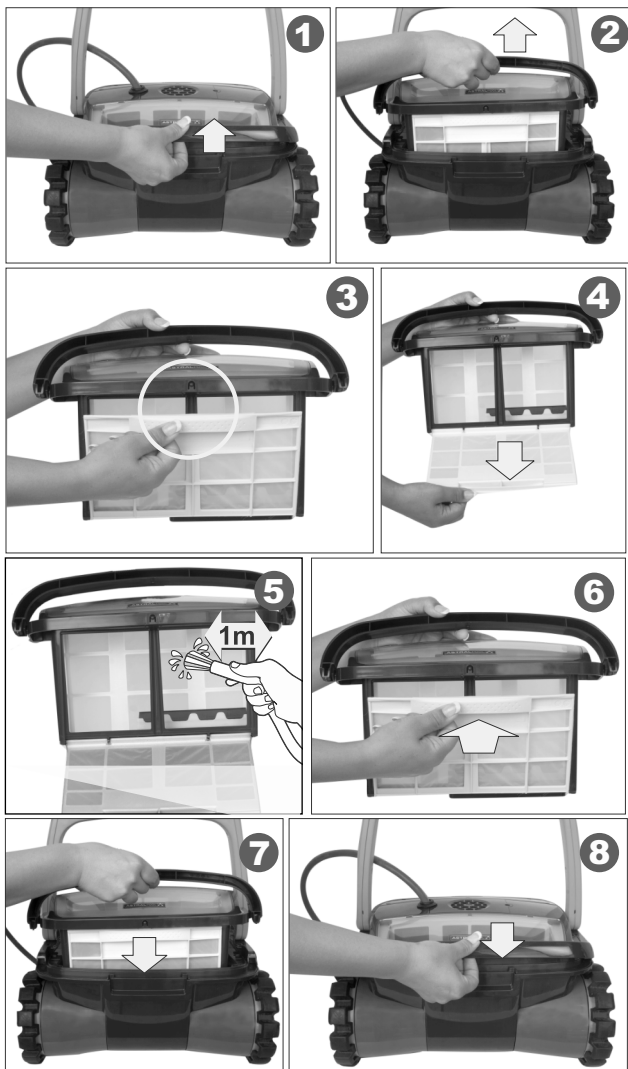
Den Reiniger aus dem Wasser ziehen

1. Trennen Sie das Schwimmkabel von der Strom- und Steuereinheit.
2. Ziehen Sie am Schwimmkabel den Reiniger näher heran, bis man den Griff fassen kann.
3. Heben Sie den Reiniger am Griff aus dem Schwimmbecken.

Vorsichtsmaßnahmen: Verwenden Sie nicht das Schwimmkabel, um den Reiniger aus dem Wasser zu heben.



Wartung



Reinigung der Filter

Die zwei Filter müssen nach jedem Reinigungszyklus gereinigt werden.

1. Lösen Sie den Filter und ziehen Sie ihn aus dem Reiniger.
2. Ziehen Sie die Filtertür (2) gegen das Filtergehäuse (2), um den Filterkasten zu öffnen.
3. Sprühen Sie Wasser auf den Außenseiten (1) und danach auf die Innenseite (3) des Filters, um sämtlichen Schmutz und Verunreinigungen zu entfernen.
4. Prüfen Sie, ob der kleine Plastikverschluss (2) an der richtigen Stelle und nicht beschädigt ist.
5. Schließen Sie den Filter.
6. Setzen Sie den Filter zurück in seine Position ein, bis ein Klicken zu hören ist, um sicherzustellen, dass der Filter an der richtigen Stelle ist.
7. Wiederholen Sie den Reinigungsvorgang für den zweiten Filter.

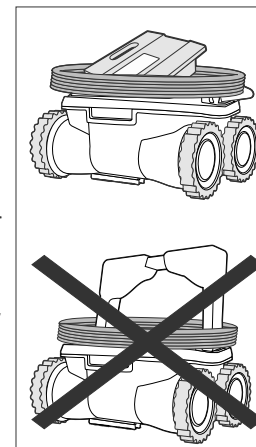
Lagerung des robotischen Reinigers

Befolgen Sie diese Anweisungen, um den robotischen Reiniger bei Nichtverwendung zu lagern:

1. Ziehen Sie das Netzkabel aus der Steckdose.
2. Trennen Sie das Schwimmkabel von der Strom- und Steuereinheit.
3. Verteilen Sie das Schwimmkabel und lösen Sie sämtliche Verdrehungen im Kabel.
4. Waschen Sie den Innenraum des Reinigers mit frischem Wasser und lassen Sie ihn trocknen.
5. Rollen Sie das Schwimmkabel auf und legen Sie es auf den Reiniger.

Vorsichtsmaßnahmen: Rollen Sie das Schwimmkabel nicht auf dem Griff des Reinigers auf.

6. Lagern Sie die Reiniger-Komponenten in einem trockenen, geschlossenen Ort.
7. Überprüfen Sie, dass die Strom- und Steuereinheit keinem Wasser ausgesetzt ist.



Überprüfen den Wasseranschluss Propeller

Eswirdempfohlen den Schmutz und die Haare von dem Propeller des

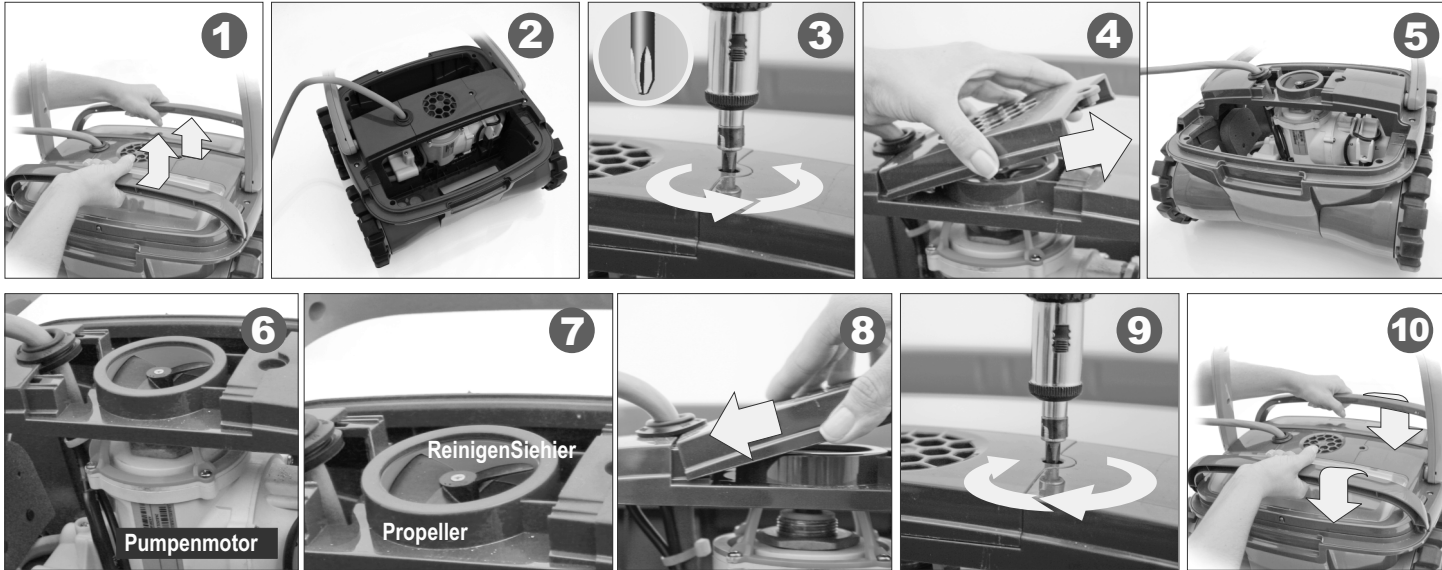
Wasserauslaufperiodischeszureinigen:

Siehe nächste Seite für detaillierte Anweisungen

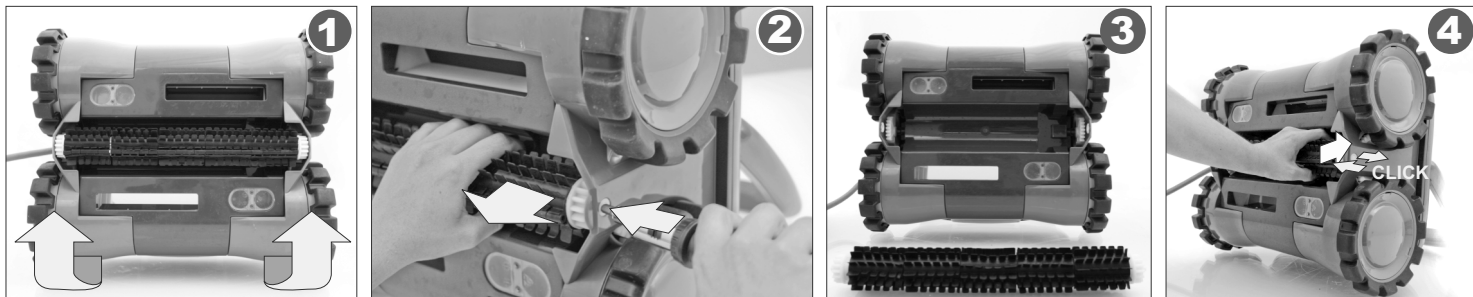
1. Entfernen Sie die Filter
2. Entfernen Sie die Schrauben, die das Wasserablaufabdeckung halten. (3)
3. Entfernen Sie die Wasserablaufabdeckung (4).
4. Reinigen Sie die Haare, den Schmutz oder Schutt.
5. Stellen Sie sicher, dass der Propeller nicht gebrochen ist.
6. Setzen Sie den Deckel zurück (8) und befestigen Sie es mit den Schrauben (9).
7. Fügen Sie die Filter wieder ein.



TRENNEN SIE DEN ROBOTER VON DER ENERGIEVERSORGUNG VOR DEM DURCHFÜHREN OF THIS MASSNAHME



Auswechseln der Rollbürste



Fehlerbeseitigung

DER REINIGER IST NICHT ANGESCHALTET (ON).

Die Steckdose wird nicht mit Strom versorgt.

1. Trennen Sie den Reiniger von der Strom- und Steuereinheit.
2. Trennen Sie die Stromversorgung von der Steckdose, warten Sie 30 Sekunden und schließen Sie diese erneut an.
3. Schalten Sie die Stromzufuhr an (ON). Falls nicht aktiviert, schließen Sie das Gerät an eine andere Steckdose an.

Das Schwimmkabel ist nicht ordnungsgemäß an die Strom- und Steuereinheit angeschlossen.

Schließen Sie das Schwimmkabel erneut an die Strom- und Steuereinheit an.

Hindernis im Antriebssystemdes Reinigers.

1. Drehen Sie den Reiniger vorsichtig um, um die Unterseite zu prüfen.
2. Stellen Siesicher, dass die Scheuerbürstenichtverbogen / gebrochenist.
3. Reinigen und entfernen Sie ggf. Hindernisse und Verunreinigungen.

Der Propeller sitzt aufgrund von Haaren oder Verunreinigungen fest.

Überprüfen Sie, ob der Propeller beschädigt ist oder gereinigt werden muss (siehe "Überprüfen des Wasserauslass-Propellers").

DER REINIGER BEWEGT SICH, ABER PUMPT KEIN WASSER:

Die Filter sind schmutzig.

1. Entfernen Sie die Filter.
2. Lassen Sie den robotischen Reiniger ohne Filter im Schwimmbecken laufen. Bei einwandfreier Funktionstüchtigkeit ersetzen oder reinigen Sie die Filter sorgfältig.

Der Propeller sitzt aufgrund von Haaren oder Verunreinigungen fest oder ist beschädigt.

Überprüfen Sie, ob der Propeller beschädigt ist oder gereinigt werden muss (siehe "Überprüfen des Wasserauslass-Propellers").

DER REINIGER PUMPT WASSER, ABER BEWEGT SICH NICHT.

Hindernis im Antriebssystemdes Reinigers.

1. Drehen Sie den Reiniger vorsichtig um, um die Unterseite zu prüfen.
2. Stellen Siesicher, dass die Scheuerbürstenichtverbogen / gebrochenist.
3. Reinigen und entfernen Sie ggf. Hindernisse und Verunreinigungen.

REINIGER STARTET UND SCHALTET NACH EINER KURZEN ZEIT AB.

Die Filter sind schmutzig.

1. Entfernen Sie die Filter.
2. Lassen Sie den robotischen Reiniger ohne Filter laufen. Bei einwandfreier Funktionstüchtigkeit ersetzen oder reinigen Sie die Filter sorgfältig.

Der Propeller sitzt aufgrund von Haaren oder Verunreinigungen fest oder ist beschädigt.

1. Entfernen Sie die oberen Schrauben am oberen Auslass.
2. Überprüfen Sie, ob der Propeller beschädigt ist oder gereinigt werden muss.

Hindernis im Antriebssystemdes Reinigers.

1. Drehen Sie den Reiniger vorsichtig um, um die Unterseite zu prüfen.
2. Stellen Siesicher, dass die Scheuerbürstenichtverbogen / gebrochenist.
3. Reinigen und entfernen Sie ggf. Hindernisse und Verunreinigungen.

DER REINIGER SAMMELT KEINEN SCHMUTZ AUF.

Die Filter sind schmutzig oder habenLöcher.

Reinigen Sie nach Bedarf und überprüfen Sie, ob keineLöcher in den Filtern sind.

Der Propeller sitzt aufgrund von Haaren oder Verunreinigungen fest oder ist beschädigt.

Überprüfen Sie, ob der Propeller beschädigt ist oder gereinigt werden muss (siehe "Überprüfen des Wasserauslass-Propellers").

Die Saugöffnung ist nicht nahe genug am Schwimmbeckenboden.

Ziehen Sie die Saugöffnung HERAUS (siehe "Einstellung der Saughöhe").

VERUNREINIGUNG KOMMT AUS DEM GERÄT, WENN ES AUS DEM SCHWIMMBECKEN ENTFERNT WIRD.

Der Filterverschluss ist beschädigt oderfehlt.

Öffnen Sie die Filter und überprüfen Sie, ob der Filterverschluss richtig funktioniert und nicht beschädigt ist (siehe "Reinigung der Filter")

Löcher in den Filtern.

Öffnen Sie die Filter und überprüfen Sie, ob keine Löcher im Filtersieb sind (siehe "Reinigung der Filter")

Der Deckel des Unterteils ist nicht richtiggeschlossen.

Achten Sie darauf, dass der Deckel des Unterteils richtig geschlossen ist.

Fehlerbeseitigung

DER REINIGER SCHEINT NICHT DAS KOMPLETTE SCHWIMMBECKEN ZU REINIGEN.

Die Filter sind schmutzig.

Reinigen Sie die Filter.

Die Länge des Schwimmkabels im Wasser ist nicht ausreichend, um das andere Ende des Schwimmbeckens zu erreichen, oder das Kabel ist verwickelt.

1. Überprüfen Sie, ob die Länge des Schwimmkabels im Wasser ausreichend ist, um das andere Ende des Schwimmbeckens zu erreichen.
2. Achten Sie darauf, dass das Schwimmkabel ordnungsgemäß ausgebreitet und entwirrt ist.

Der Winkel des Gleitgriffes beeinträchtigt die Bewegung des Reinigers.

Erhöhen Sie den Diagonalwinkel des Gleitgriffs (siehe "Einstellung des Gleitgriffs").

Der pH-Wert des Schwimmbeckens ist falsch.

Achten Sie darauf, dass der pH-Wert zwischen 7,2 und 7,6 liegt.

Der Chlorgehalt ist falsch.

Überprüfen Sie die Chlorbehandlung des Wassers und korrigieren diese bei Bedarf (Entfernen Sie während der Behandlung den Reiniger aus dem Schwimmbecken).

Der Propeller sitzt aufgrund von Haaren oder Verunreinigungen fest oder ist beschädigt.

1. Entfernen Sie die oberen Schrauben am oberen Auslass.
2. Überprüfen Sie, ob der Propeller beschädigt ist oder gereinigt werden muss.

Hindernis im Antriebssystem des Reinigers.

1. Drehen Sie den Reiniger vorsichtig um, um die Unterseite zu prüfen.
2. Drehen Sie die Antriebsführungen und Reinigungsbürsten per Hand. Sie sollten sich drehen, aber nicht locker sein.
3. Reinigen und entfernen Sie ggf. Hindernisse und Verunreinigungen.

DAS GERÄT STEIGT NICHT DIE WÄNDE HOCH.

Der Reiniger steigt nicht die Schwimmbeckenwände hoch.

1. Überprüfen Sie, ob Ihr robotischer Reiniger nur ein Modell für die Bodenreinigung ist.
2. Prüfen Sie nach, dass P1, nur für Bodenreinigung, ist nicht auf der Strom- und Steuereinheit ausgewählt (siehe "Programmierung des robotischen Reinigers").

Die Filter sind schmutzig.

Reinigen Sie die Filter.

Der Propeller sitzt aufgrund von haaren oder Verunreinigungen fest oder ist beschädigt.

Überprüfen Sie, ob der Propeller beschädigt ist oder gereinigt werden muss (siehe "Überprüfen des Wasserauslass-Propellers").

Der pH-Wert ist falsch.

Achten Sie darauf, dass der pH-Wert zwischen 7,2 und 7,6 liegt.

Der Chlorgehalt ist falsch.

Überprüfen Sie die Chlorbehandlung des Wassers (entfernen Sie während der Behandlung den Reiniger aus dem Schwimmbecken).

Die Wassertemperatur ist nichtoptimal.

Empfohlene Temperatur liegt zwischen 22 °C - 32 °C (72 °F - 90 °F).

DAS KABELHAT SICH VERWICKELT.

Die Filter sind schmutzig.

Reinigen Sie die Filter.

Bürstefehlodergebrochen.

Überprüfen Sie, ob die Scheuerbürste vollständig und nicht verbogen / gebrochen ist.

Das Kabel ist nicht ausgebreitet, bevor der Reiniger im Schwimmbecken abgesetzt wurde.

Achten Sie darauf, dass das Schwimmkabel ordnungsgemäß ausgebreitet und entwirrt ist, bevor Sie den Reiniger in Betrieb setzen.

Die Kabellänge ist im Wasser zu lang.

Überprüfen Sie, ob die Länge des Kabels im Wasser der Länge der Schwimmbeckendiagonale plus 2 Meter entspricht.

Der Propeller sitzt aufgrund von Haaren oder Verunreinigungen fest oder ist beschädigt.

Überprüfen Sie, ob der Propeller beschädigt ist oder gereinigt werden muss (siehe "Überprüfen des Wasserauslass-Propellers").

DISPOSIZIONI IMPORTANTI DI SICUREZZA

LEGGERE E SEGUIRE TUTTE LE DISPOSIZIONI

ATTENZIONE: Non collegare l'alimentatore elettrico alla rete e non attivarlo, se il robot non è completamente immerso nell'acqua. Mettendo in funzione il robot fuori dall'acqua si possono causare severi danni immediati e si provoca l'annullamento della garanzia. Lasciare che il robot resti nella piscina per un periodo che va da 15 a 20 minuti dopo la fine del ciclo di pulizia. Questo consente ai motori di raffreddarsi adeguatamente. Non lasciare il robot in piscina tutto il tempo. Ricordare sempre di spegnere e staccare l'alimentatore elettrico dalla presa di corrente prima di estrarre il robot dalla piscina.

AVVISO: Il robot non deve essere messo in azione quando i bagnanti si trovano nella piscina. Per solo uso in piscina



Nota di sicurezza

L'alimentazione del robot deve avvenire tramite un interruttore a corrente residua (RCD) con un valore di taratura non superiore a 30 mA

Il collegamento alla rete elettrica deve essere compatibile con le norme ed i regolamenti locali e nazionali (normativa elettrica).

La cattiva manutenzione del robot può causare la perdita di materiali lubrificanti.

Se il cavo d'alimentazione è danneggiato, deve essere sostituito da un cavo speciale o da un insieme disponibili presso il fabbricante o presso l'agente di servizio.

Questo prodotto può essere usato da bambini di 8 anni o più dalle capacità fisiche, sensoriali o mentali ridotte o persone che non hanno idonee esperienze e conoscenze, se sono state addestrate o istruite circa l'uso in sicurezza del prodotto e ne comprendono i pericoli che possono derivarne. I bambini non devono giocare con il robot. La pulizia e la manutenzione non devono essere eseguite da bambini senza supervisione.

AVVISO: Un interruttore di isolamento difettoso verso terra (GFCI-USA) o un interruttore di corrente residua (RCD-EUROPE) deve essere installato per proteggere la presa elettrica e prevenire ogni possibile scossa elettrica.

CONSERVARE QUESTE DISPOSIZIONI

Introduzione

Descrizione generale del sistema

Il robot per la pulizia passa sul fondale e le pareti della piscina per raccogliere sporcizia e detriti nei suoi filtri interni. Questo manuale illustra come operare con il robot per la pulizia, le procedure della sua pulizia, manutenzione e immagazzinamento.

Nota:

Questo manuale riguarda alcuni modelli di robot per la pulizia. Alcune parti sono diverse, a seconda del modello specifico.

Come esegue il robot la pulizia della piscina

Dopo che il robot è stato introdotto nella piscina ed attivato, funzionerà secondo il programma definito tramite l'unità di potenza e controllo. Il robot si muove sul fondale e sulle pareti della piscina, coprendone tutta l'area. Quando il robot ha completato l'esecuzione del programma, rimane inattivo sul fondale della piscina.

Nota:

La salita sulle pareti della piscina è una funzione facoltativa. Quando la funzione di salita sulle pareti è attivata, il robot si arrampica sulle pareti agli intervalli definiti dal suo programma interno. La capacità del robot di salire le scale della piscina è subordinata alla geometria ed al materiale di cui esse sono composte.

Condizioni operative

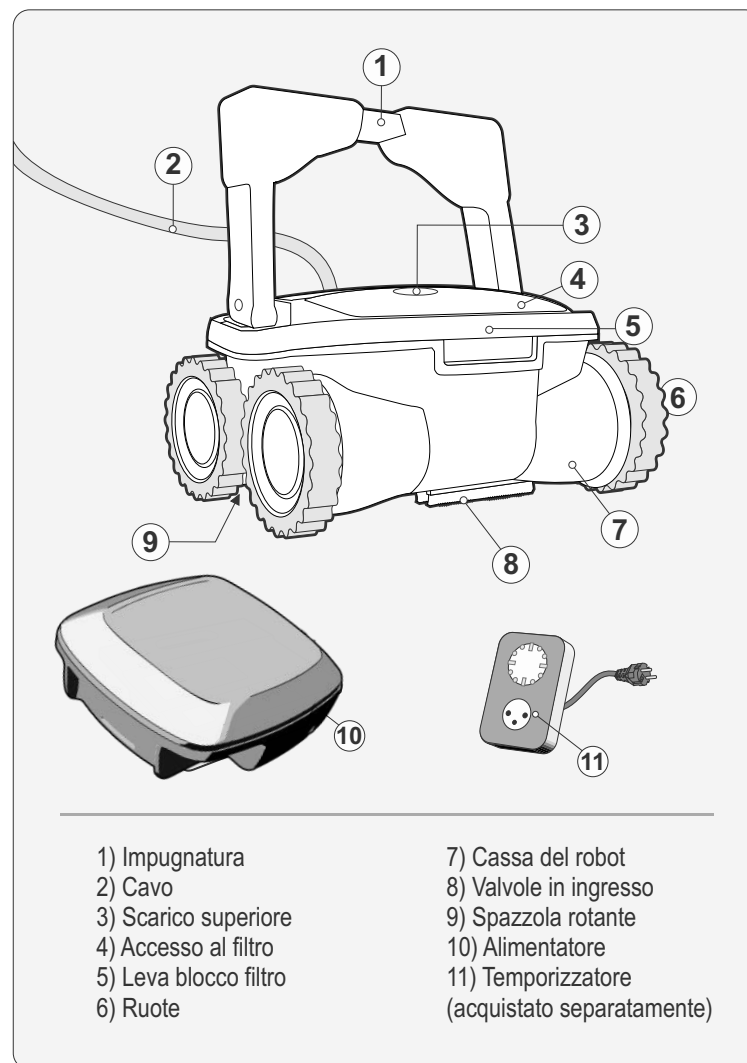
Il robot è destinato alla pulizia delle piscine, nelle seguenti condizioni operative:

- A temperature variabili fra 13°C e 35°C (55°F-95°F); la temperatura raccomandabile va da 22°C a 32°C (72°F-90°F).
- pH dell'acqua: 7,2 - 7,6
- Contenuto di cloro: la piscina è mantenuta secondo le istruzioni del costruttore della stessa.

Nota:

Il difetto di manutenzione secondo le condizioni operative raccomandate può impedire il regolare funzionamento del robot. Estrarre il robot dall'acqua quando si esegue il "Trattamento Chimico Intensivo" in piscina.

Componenti



Componenti

Contenuto dell'imballaggio

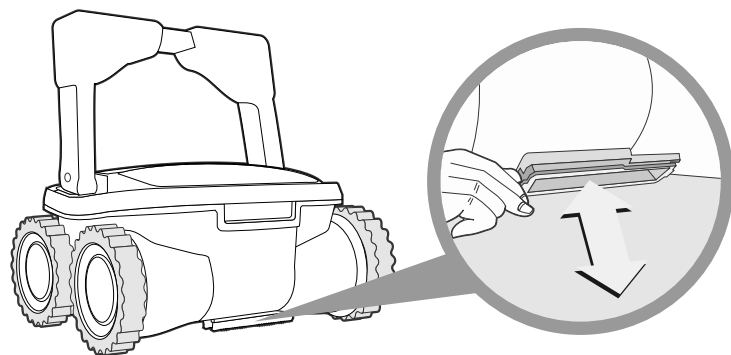
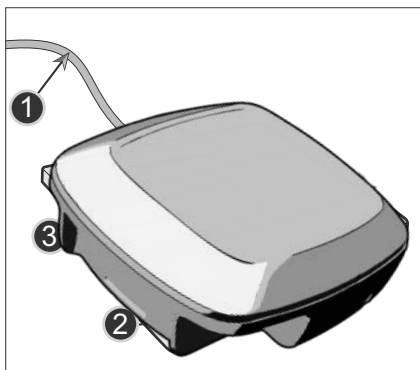
Il robot è imballato in una scatola che contiene:

- Robot e cavo galleggiante
- Unità di potenza e controllo
- Manuale per l'utente

Unità di potenza e controllo

L'unità di potenza e controllo è collegata al robot tramite il cavo galleggiante. L'unità è alimentata in corrente alternata (1) e fornisce bassa tensione e comandi all'unità di pulizia tramite la presa d'uscita (2).

L'unità è dotata di un pannello di controllo (3) con vari controlli per gestire il funzionamento del robot.

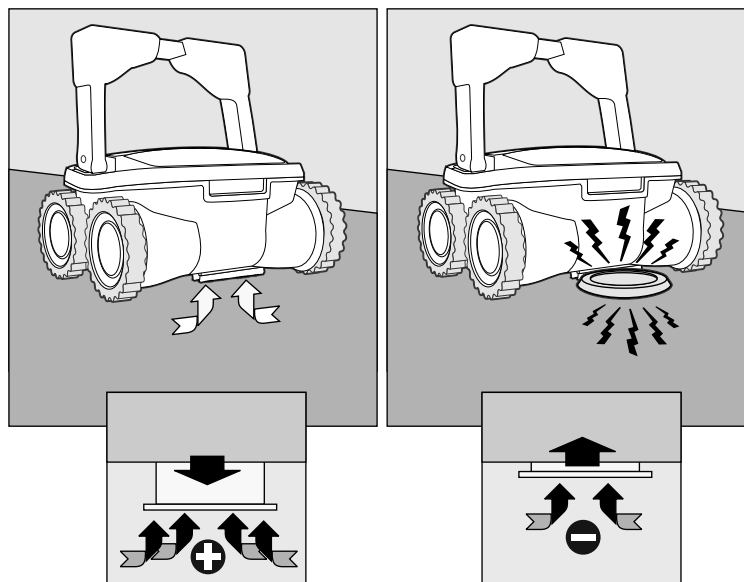


Funzionamento

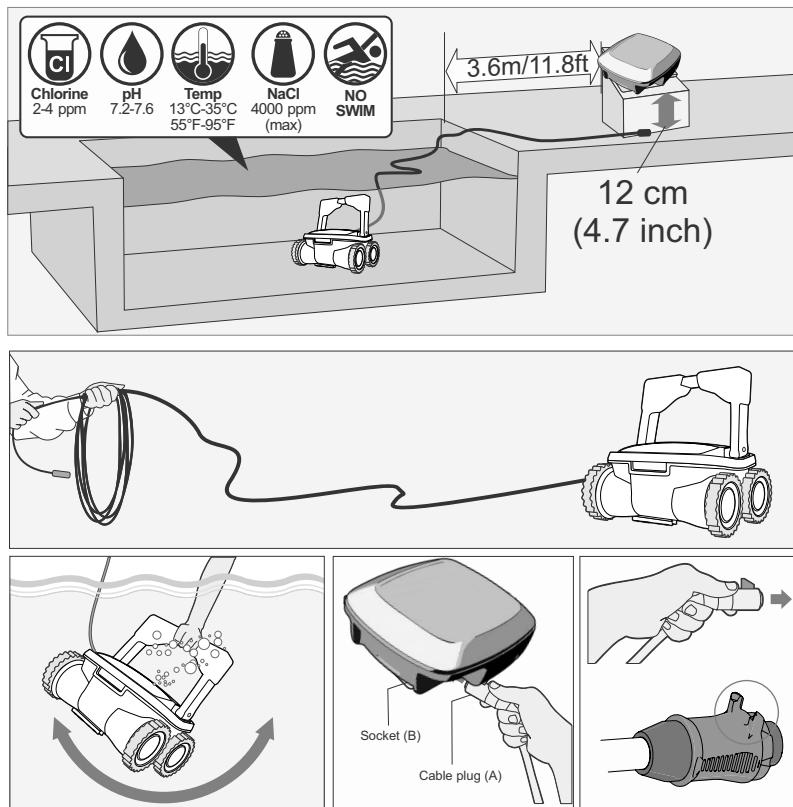
Prima del primo uso

Regolazione dell'altezza di aspirazione. Regolando l'ingresso dell'aspirazione (2) vicino alla superficie del fondale della piscina si aumentano la forza aspirante e la qualità di pulizia. Abbassando troppo l'ingresso d'aspirazione si può provocare interferenza con ostacoli sul fondale o sulle pareti della piscina. Per regolare la posizione corretta del pomello dell'ingresso d'aspirazione va usato un cacciavite (1).

- IN – Alza l'ingresso d'aspirazione dalla superficie della piscina e riduce la potenza aspirante.
- OUT – Abbassa l'ingresso d'aspirazione verso la superficie della piscina ed aumenta la potenza aspirante.



Funzionamento



Posizione dell'unità di potenza e controllo

4. Posizionare l'unità di potenza e controllo ad almeno 3,6 metri/11,8 piedi dalla piscina e sollevato di almeno 12 cm/4 pollici dalla superficie.

AVVERTENZA: L'unità di potenza e controllo non deve essere esposta a acqua o ai raggi del sole.

5. Sganciare i lacci di plastica usati per fissare il cavo galleggiante durante il trasporto, premendo lo scatto di plastica del laccio.

Prima di sistemare il robot nell'acqua.

1. Assicurarsi che non vi siano bagnati in piscina.
2. Accertarsi che i filtri siano puliti.
3. Assicurarsi che siano soddisfatte le condizioni operative in piscina; (vedere "Condizioni operative").

Introdurre nell'acqua il robot

1. Srotolare il cavo galleggiante. È raccomandabile svolgere il cavo per la lunghezza della diagonale della piscina, più 2 metri.
2. Introdurre il robot in piscina.
3. Lasciare che affondi fino ad appoggiarsi sul fondale. Non attivare il robot prima che si sia adagiato sul fondale della piscina.
4. Svolgere il cavo galleggiante di traverso in piscina. Assicurarsi di svolgere solo la lunghezza di cavo raccomandata. Dipanare spirali o trecce del cavo. Avvolgere il cavo in eccesso al di fuori della piscina, vicino all'unità di potenza e controllo.
5. Collegare il cavo galleggiante (A) alla presa (B) dell'unità di potenza e controllo.

AVVERTENZA: Mettendo in funzione il robot fuori dall'acqua si possono causare severi danni immediati e si provoca l'annullamento della garanzia.

Funzionamento

Avvio del robot

1. Collegare l'unità di potenza e controllo alla presa elettrica di rete. Il LED del funzionamento (4) è acceso ed il robot inizia il suo programma di pulizia.

Se l'unità di potenza e controllo è già collegata alla presa di rete, il LED di funzionamento (5) lampeggia per indicare che il robot è in modalità d'attesa.

Premere il pulsante di funzionamento (6). Il LED di funzionamento è acceso ed il robot inizia il suo programma di pulizia.

Nota: Quando si accende il LED di controllo del filtro, è necessario ripulire il filtro prima di introdurre il robot in piscina. Il LED di controllo del filtro è un optional in alcuni modelli.

Ciclo di pulizia

Durante il ciclo di pulizia il robot:

- Si sposta sul fondale della piscina raccogliendo sporcizia e detriti.
- Cambia direzione e si gira automaticamente secondo il programma selezionato
- Si arrampica sulle pareti della piscina a intervalli di qualche minuto, come stabilito nel suo programma interno.

Nota: Il robot può occasionalmente fermarsi per alcuni secondi. Questo è previsto nel normale funzionamento, non si tratta di un malfunzionamento.

Arresto del robot

Il robot si sposta automaticamente sulla posizione STANDBY al termine di ogni ciclo di pulizia ed il LED di funzionamento (5) inizia a lampeggiare.

Per arrestare il robot durante un ciclo di pulizia, premere una volta il pulsante di funzionamento (7). Il LED di funzionamento (7) inizia a lampeggiare ed il robot si ferma in modalità d'attesa."

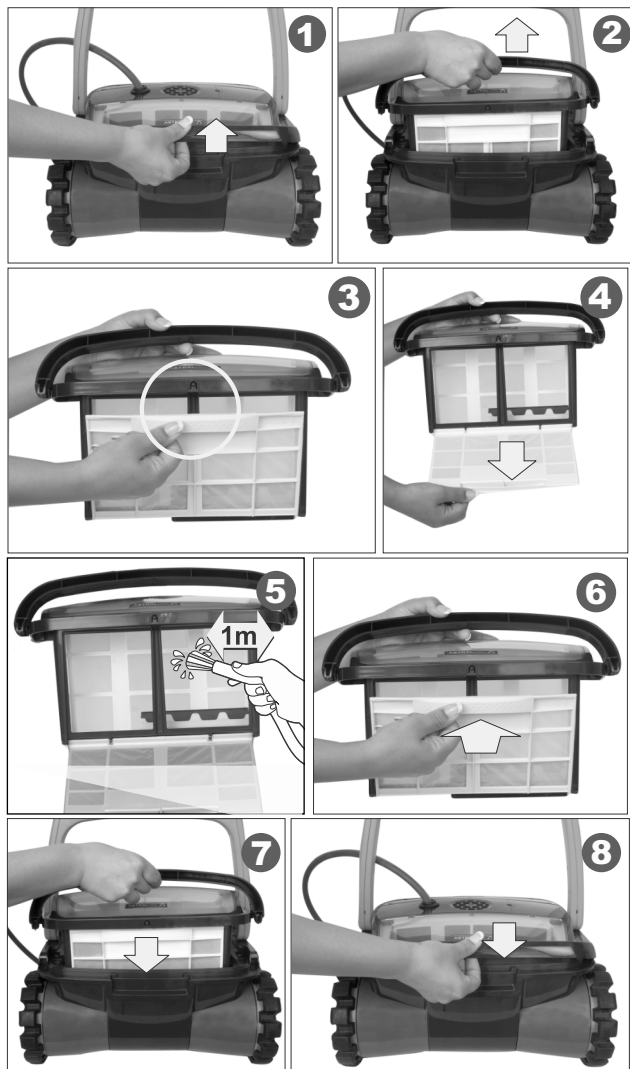
Estrazione del robot dall'acqua

1. Disconnettere il cavo galleggiante dall'unità di potenza e controllo.
2. Tirare il cavo galleggiante per avvicinare il più possibile il robot, per poterlo afferrare con la maniglia.
3. Servendosi della maniglia, estrarre il robot dalla piscina.

Attenzione: Non usare il cavo galleggiante per estrarre dall'acqua l'unità di pulizia.



Manutenzione



Pulizia dei filtri

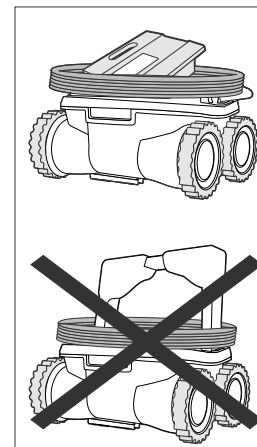
I due filtri vanno puliti dopo ciascun ciclo di pulizia.

1. Liberare il filtro ed estrarlo dal robot. (1), (2)
2. Tirare lo sportello del filtro contro l'alloggiamento del filtro per aprire la scatola del filtro. (3), (4)
3. Sprizzare acqua sulle parti esterne del filtro e poi sulle parti interne del filtro, per liberarlo da sporcizia e detriti. (5)
4. Verificare che l'otturatore di plastica (2) sia al suo posto e non sia rotto.
5. Reinserrire il filtro nel suo alloggiamento fino ad udire il clic che avverte quando il filtro è posizionato correttamente. (7), (8)

Immagazzinamento del robot

Seguire le seguenti istruzioni per immagazzinare il robot quando non è in uso:

1. Disconnettere il cavo d'alimentazione elettrica dalla presa elettrica.
2. Disconnettere il cavo galleggiante dall'unità di potenza e controllo.
3. Stendere il cavo galleggiante e sbrigliarne ogni groviglio.
4. Sciacquare le parti interne dell'unità di pulizia con acqua corrente e lasciare asciugare.
5. Avvolgere il cavo galleggiante e appoggiarlo sull'unità di pulizia.
Attenzione: Non avvolgere il cavo galleggiante sulla maniglia dell'unità di pulizia.
6. Immagazzinare i componenti del robot in luogo asciutto e chiuso.
7. Verificare che l'unità di potenza e controllo non sia esposta all'acqua.



Controllo dell'elica di espulsione dell'acqua

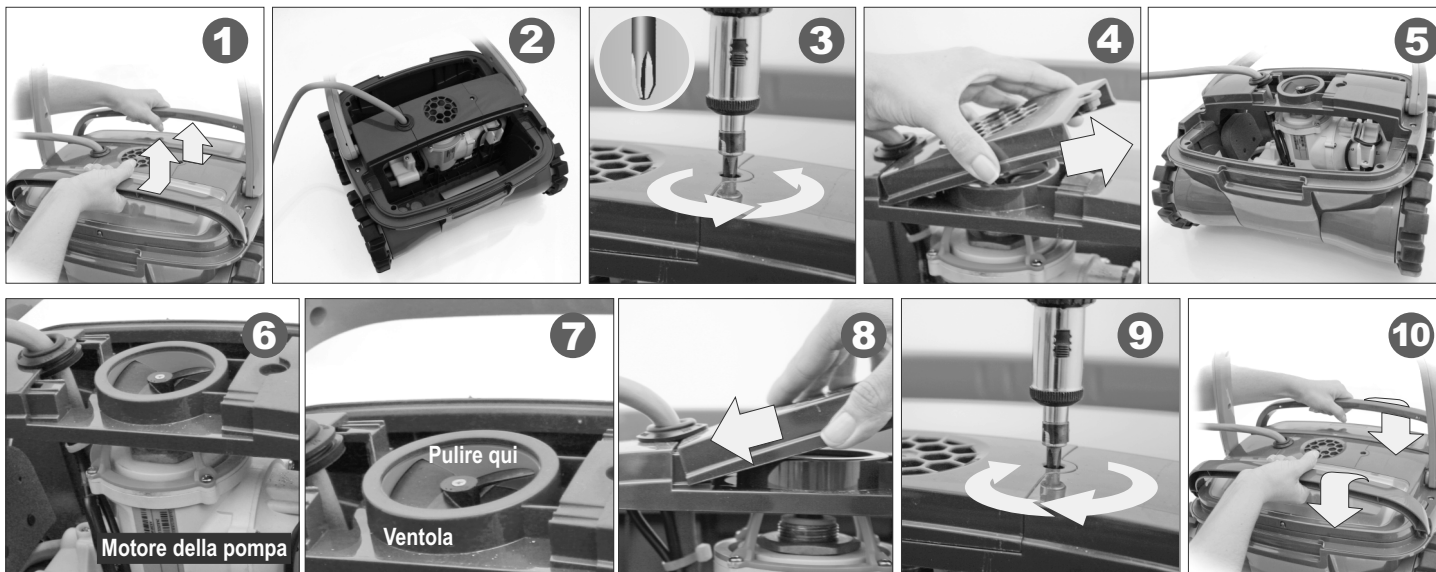
È raccomandabile ripulire periodicamente l'elica d'espulsione dell'acqua:

Fare riferimento alla pagina seguente per istruzioni dettagliate

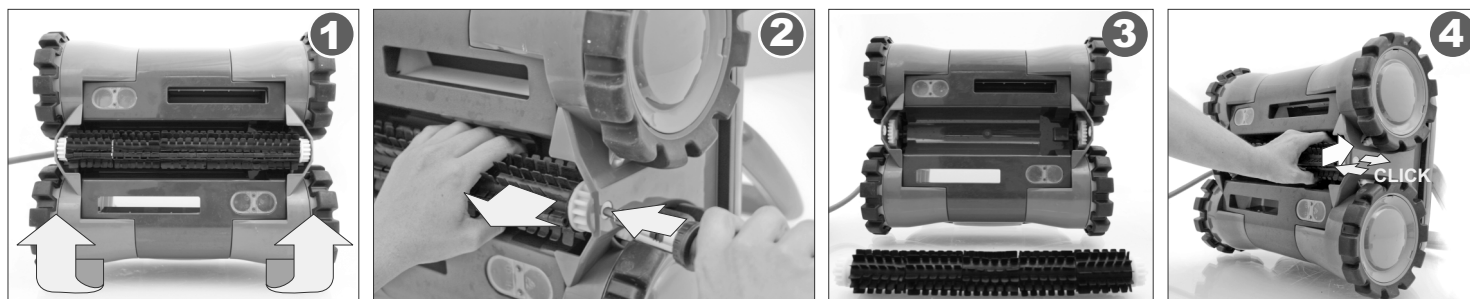
1. Smontare i filtri
2. Svitare le viti che fissano il coperchio d'uscita dell'acqua (3).
3. Rimuovere il coperchio dell'uscita dell'acqua (4).
4. Pulire dai peli, sporcizia e detriti.
5. Verificare che l'elica non sia rotta.
6. Riporre il coperchio (8) e fissarlo con le viti (9).
7. Reinserrire i filtri



STACCARE IL ROBOT DALL'ALIMENTATORE ELETTRICO PRIMA DI ESEGUIRE QUESTA OPERAZIONE



Sostituzione della spazzola rotante



Ricerca dei guasti

IL ROBOT NON SI ACCENDE.

Manca la corrente nella presa di rete elettrica.

1. Disconnettere il robot dall'unità di potenza e controllo.
2. Disconnettere l'alimentatore dalla presa elettrica di rete, attendere 30 secondi e ricollegare.
3. Accendere il robot. Se non si attiva, collegare l'unità ad un'altra presa elettrica.

Il cavo galleggiante non è collegato correttamente all'unità di potenza e controllo.

Disconnettere il cavo galleggiante dall'unità di potenza e controllo.

Un ostacolo nel sistema di trazione del robot.

1. Rovesciare cautamente il robot per vederne il fondo.
2. Verificare che la spazzola strofinante non sia piegata o rotta.
3. Pulire e rimuovere ostacoli e depositi, se necessario.

L'elica è rotta a causa dell'accumulo di peli.

Verificare se l'elica è rotta o necessita una ripulita (vedere "Controllo dell'elica di espulsione dell'acqua").

IL ROBOT SI MUOVE MA NON POMPA ACQUA.

I filtri sono sporchi.

1. Smontare i filtri
2. Attivare il robot nella piscina senza i filtri. Se funziona normalmente, pulire le pareti dei filtri o sostituire i filtri.

L'elica è rotta o bloccata dall'accumulo di peli.

Verificare se l'elica è rotta o necessita una ripulita (vedere "Controllo dell'elica di espulsione dell'acqua").

IL ROBOT POMPA ACQUA MA NON SI MUOVE.

Un ostacolo nel sistema di trazione del robot.

1. Rovesciare cautamente il robot per vederne il fondo.
2. Verificare che la spazzola strofinante non sia piegata o rotta.
3. Pulire e rimuovere ostacoli e depositi, se necessario.

IL ROBOT INIZIA A MUOVERSI MA SI ARRESTA DOPO BREVE TEMPO.

I filtri sono sporchi.

1. Smontare i filtri.
2. Attivare il robot nella piscina senza i filtri. Se funziona normalmente, pulire le pareti dei filtri o sostituire i filtri.

L'elica è rotta o bloccata dall'accumulo di peli.

1. Rimuovere le viti superiori dell'uscita superiore.
2. Verificare se l'elica è rotta o va pulita.

Un ostacolo nel sistema di trazione del robot.

1. Rovesciare cautamente il robot per vederne il fondo.
2. Verificare che la spazzola strofinante non sia piegata o rotta.
3. Pulire e rimuovere ostacoli e depositi, se necessario.

IL ROBOT NON RACCOGLIE LA SPORCIZIA.

I filtri sono sporchi o forati.

Pulire i filtri e verificare che non vi siano fori.

L'elica è rotta o bloccata dall'accumulo di peli.

Verificare se l'elica è rotta o necessita una ripulita (vedere "Controllo dell'elica di espulsione dell'acqua").

L'ingresso d'aspirazione non è sufficientemente vicino alla superficie del fondale.

Regolare l'ingresso d'aspirazione OUT (vedere "Regolazione dell'altezza d'aspirazione").

IL ROBOT EMETTE SPORCIZIA QUANDO VIENE RIMOSSO DALLA PISCINA.

L'otturatore del filtro è rotto o manca del tutto.

Aprire i filtri e verificare che l'otturatore non sia rotto e funziona correttamente (vedere "Pulizia dei filtri").

Fori nei filtri.

Aprire i filtri e verificare che non vi siano fori nelle retine dei filtri (vedere "Pulizia dei filtri").

Il coperchio inferiore non è ben chiuso.

Assicurarsi che il coperchio inferiore sia chiuso correttamente.

Ricerca dei guasti

L'UNITÀ DI PULIZIA NON COPRE TUTTA LA PISCINA.

I filtri sono sporchi.

Pulire i filtri.

Il cavo galleggiante non è lungo a sufficienza da permettere che il robot raggiunga l'estremità lontana della piscina, oppure il cavo è attorcigliato.

1. Verificare che il cavo galleggiante sia lungo a sufficienza da permettere che il robot raggiunga l'estremità lontana della piscina.
2. Verificare che il cavo galleggiante sia svolto correttamente e non sia aggrovigliato."

L'angolo della maniglia galleggiante influisce sul movimento del robot.

Aumentare l'angolo diagonale della maniglia galleggiante (vedere "Regolazione della maniglia galleggiante").

Il pH dell'acqua non è corretto.

Assicurare che il pH si trovi tra 7,2 e 7,6.

Il contenuto di cloro non è corretto.

Controllare il trattamento del cloro nell'acqua e correggere se richiesto (Estrarre il robot dalla piscina durante il trattamento.)

L'elica è rotta o bloccata dall'accumulo di peli.

1. Rimuovere le viti superiori dell'uscita superiore.
2. Verificare se l'elica è rotta o va pulita.

Un ostacolo nel sistema di trazione del robot.

1. Rovesciare cautamente il robot per vederne il fondo.
2. Ruotare manualmente i cingoli e le spazzole. Questi devono poter ruotare, ma non liberamente.
3. Pulire e rimuovere ostacoli e depositi, se necessario.

IL ROBOT NON SI ARRAMPICA SULLE PARETI.

Il robot non si arrampica sulle pareti della piscina.

1. Verificare che il modello del robot non sia per solo fondale.
2. Verificare che P1, per la sola pulizia dei fondali, non sia stato selezionato nell'unità di potenza e controllo (vedere "Programmazione del robot").

I filtri sono sporchi.

Pulire i filtri.

L'elica è rotta o bloccata dall'accumulo di peli.

Verificare se l'elica è rotta o necessita una ripulita (vedere "Controllo dell'elica di espulsione dell'acqua").

Il pH dell'acqua non è corretto.

Assicurare che il pH si trovi tra 7,2 e 7,6.

Il contenuto di cloro non è corretto.

Controllare il trattamento del cloro nell'acqua (estrarre il robot dalla piscina durante il trattamento.)

La temperatura dell'acqua non è quella raccomandata.

La temperatura raccomandata va da 22°C a 32°C (72°F-90°F).

IL CAVO È ATTORCIGLIATO.

I filtri sono sporchi.

Pulire i filtri.

La spazzola non c'è o è rotta.

Verificare che la spazzola strofinante sia completa e non sia piegata o rotta.

Il cavo non è stato svolto prima di introdurre il robot in piscina.

Assicurarsi che il cavo sia completamente svolto e non intrecciato prima di mettere in funzione il robot.

La lunghezza del cavo immerso è eccessiva.

Verificare che la lunghezza del cavo immerso sia eguale alla diagonale della piscina più due metri.

L'elica è rotta o bloccata dall'accumulo di peli.

Verificare se l'elica è rotta o necessita una ripulita (vedere "Controllo dell'elica di espulsione dell'acqua").

IMPORTANTES INSTRUÇÕES DE SEGURANÇA

LÊ E SEGUE TODAS AS INSTRUÇÕES

CUIDADO: Não plugue a fonte de alimentação na ficha eléctrica nem ligue a fonte de alimentação se o robô não estiver totalmente imerso em água. Operar o limpador fora da água causará graves danos imediatamente e resultará na perda da garantia.

Deixe o limpador na piscina por 15 a 20 minutos após o término do ciclo de limpeza. Isto fará com que os motores resfriem-se adequadamente. Não deixe o limpador na piscina o tempo todo. Sempre lembre-se de "DESLIGAR" a fonte de alimentação eléctrica e desconetá-la da ficha eléctrica antes de remover o limpador da piscina.

AVISO: O limpador não deve ser utilizado com pessoas na água. Para utilização somente em piscina de natação



Nota de Segurança

- Esta unidade pode ser fornecida com um disjuntor diferencial residual (DR) com uma corrente operacional residual nominal que não exceda 30 mA
- A conexão ao circuito derivado deve ser consistente com o local e com as regras de fiação nacionais (código eléctrico).
- O manejo incorreto da unidade pode resultar em fuga de lubrificantes.
- Se o cabo de alimentação estiver danificado, deve ser trocado por um cabo ou conjunto especial disponível no fabricante ou no seu agente de manutenção.

Este aparato pode ser utilizado por crianças a partir de 8 anos de idade e acima mesmo com capacidades físicas, sensoriais ou mentais reduzidas, ou sem experiência e conhecimento se receberem supervisão ou instruções concernentes ao uso do aparato de forma segura e entenderem os riscos envolvidos. Crianças não devem brincar com este aparato. Limpeza e manutenção do utilizador não devem ser feitas por crianças sem supervisão.

AVISO: Um interruptor de circuito por falha de aterramento (GFCI-USA) ou um disjuntor diferencial residual (RCD-EUROPE) deve ser instalado para proteger sua ficha eléctrica e prevenir qualquer possível choque eléctrico.

GUARDE ESTAS INSTRUÇÕES

Introdução

Visão geral do sistema

O limpador robótico varre o chão e as paredes da piscina para coletar sujeira e detritos em seus filtros internos. Este manual do usuário explica como operar o limpador robótico, incluindo procedimentos de limpeza, manutenção e armazenamento.

Nota:

Este manual analisa diversos modelos de limpadores robóticos. Há algumas variações nos componentes de acordo com o modelo específico.

Como o limpador robótico limpa sua piscina

Após o limpador robótico ser colocado na piscina e ativado, ele opera de acordo com o programa ajustado através da unidade de controle e energia. O limpador robótico se move pelo chão e as paredes da piscina, cobrindo a área inteira da do chão e paredes da piscina. Quando o limpador robótico termina seu programa, ele permanece inativo no chão da piscina.

Nota:

Subir na parede é um recurso opcional. Quando o recurso de subir na parede está ativo, o limpador robótico sobe na parede em intervalos de acordo com seu programa interno. A capacidade do limpador robótico de subir em escadas na piscina está sujeita à geometria e o material da escada.

Condições operacionais

O limpador robótico é destinado ao uso em piscinas nas seguintes condições:

- Temperaturas que variam de 13°C a 35°C (55°F-95°F), a temperatura recomendada é entre 22°C a 32°C (72°F-90°F).

- pH da água : 7.2 - 7.6

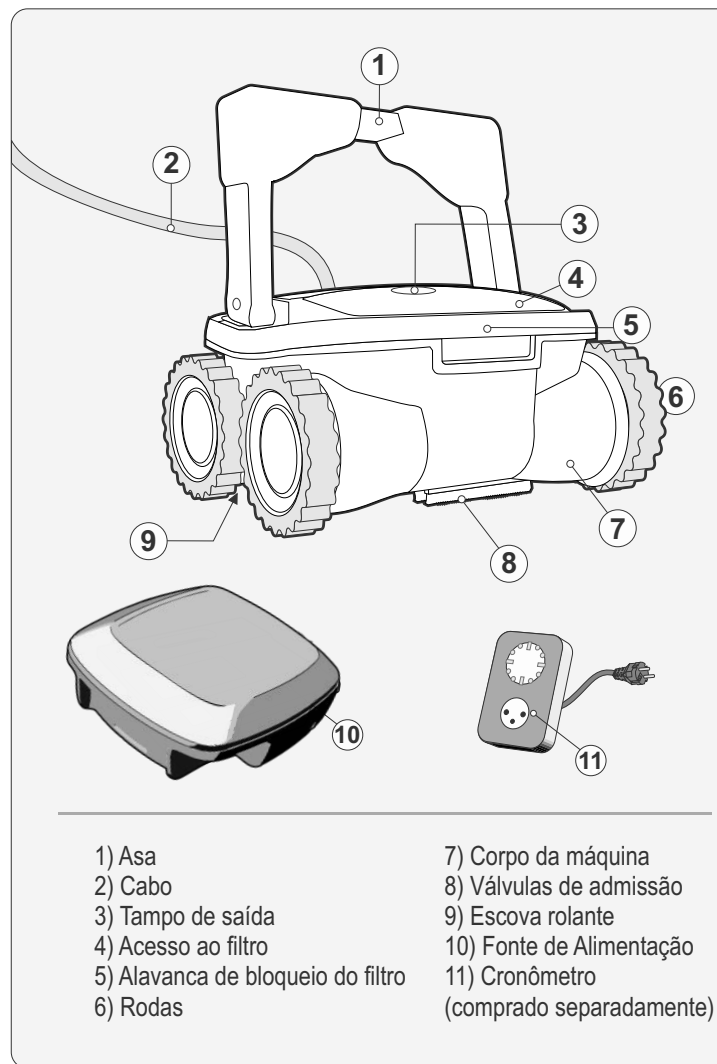
- Nível de cloro: a manutenção da piscina é de acordo com as instruções do fabricante da piscina.

Nota:

A falha na manutenção da piscina de acordo com as condições operacionais recomendadas pode impedir que o limpador robótico funcione adequadamente.

Retire o limpador para fora da água quando realizar o "Tratamento de choque químico" na água da piscina.

Componentes



Componentes

Conteúdo da caixa de embalagem

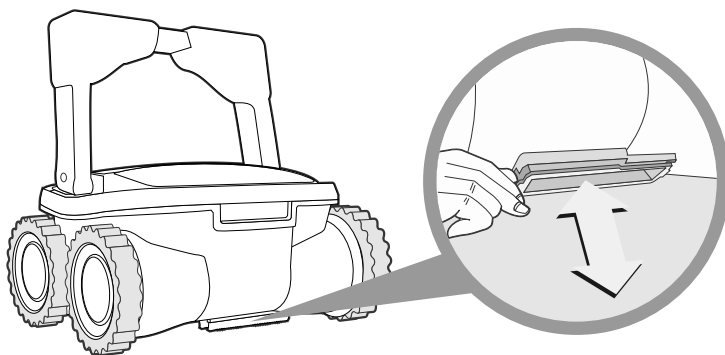
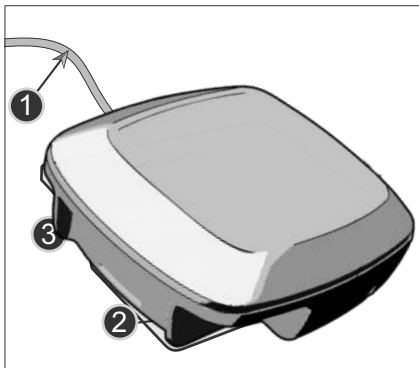
O limpador robótico é embalado em uma caixa contendo:

- O limpador robótico e o cabo flutuante
- Unidade de controle e energia
- Manual do usuário

Unidade de controle e energia

A unidade de controle e energia é conectada ao limpador robótico através do cabo flutuante. A unidade é energizada por energia CA (1) e fornece baixa tensão e comandos à unidade de limpeza através da tomada de saída (2).

A unidade apresenta um painel de controle (3) com vários controles para operar o limpador robótico.



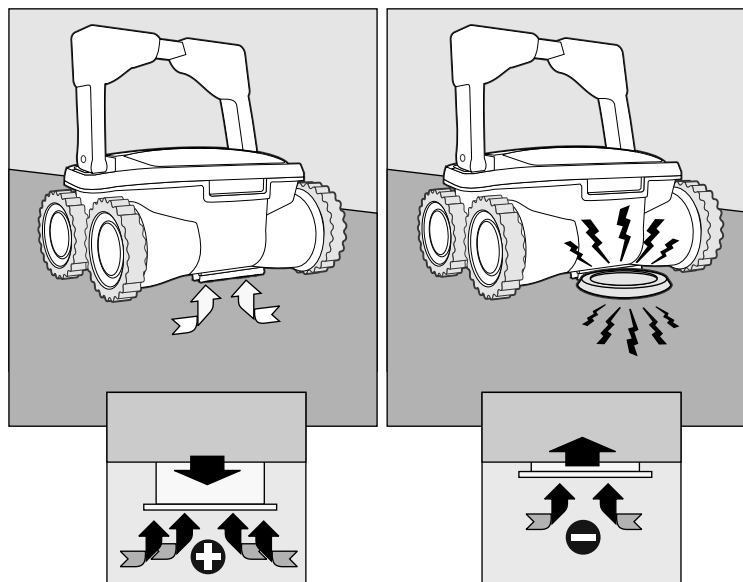
Operação

Antes do primeiro uso

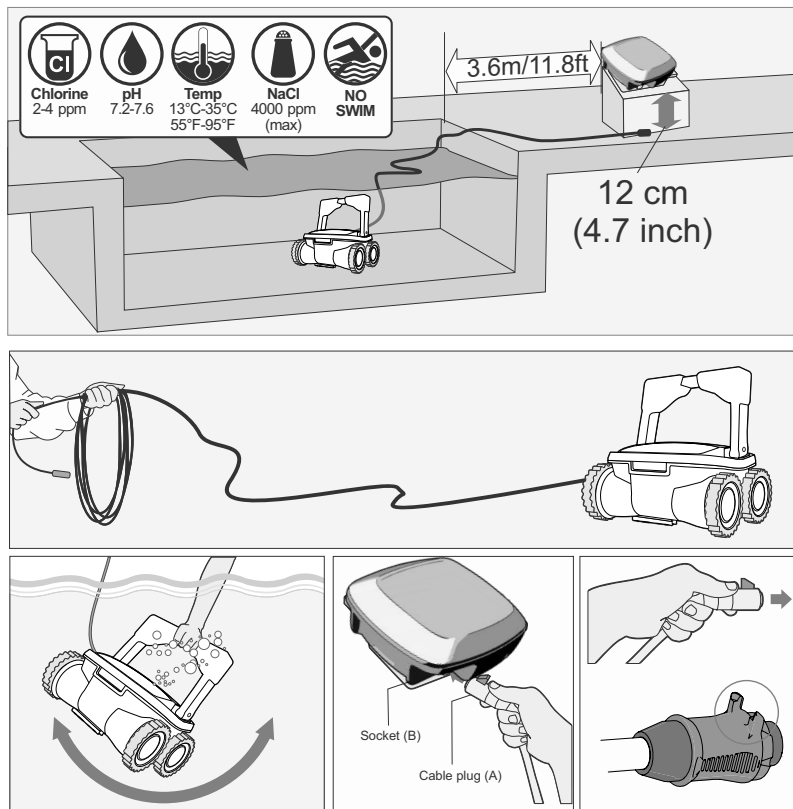
Ajuste da altura de sucção. Posicionar a entrada de sucção (2) próxima à superfície da piscina aumenta a potência de sucção e a qualidade da limpeza. Abaixar a entrada de sucção pode resultar em interferência com obstáculos no chão e paredes da piscina.

Use uma chave de fenda para ajustar o botão de posição da entrada de sucção.

- PARA DENTRO – puxa a entrada de sucção para longe da superfície da piscina e reduz a potência da sucção.
- PARA FORA – coloca a entrada de sucção para próximo da superfície da piscina e aumenta a potência da sucção.



Operação



Posicionando a Unidade de controle e energia

4. Coloque a unidade de controle e energia a pelo menos 3,6 metros/11,8 pés da piscina e a pelo menos 12 cm/4 polegas acima da superfície.

CUIDADO: A unidade de controle e energia não deve ser exposta à água ou luz solar direta.

5. Solte as amarras plásticas do cabo flutuante, que são usadas para prender os cabos durante o transporte, pressionando o engate plástico na amarra.

Antes de colocar a unidade de limpeza na água

1. Certifique-se de que não há pessoas na piscina.
2. Certifique-se de que os filtros estejam limpos.
3. Certifique-se de que as condições da piscinas são adequadas; (veja "Condições operacionais").

Colocando a unidade de limpeza na água

1. Desenrole o cabo flutuante. Recomenda-se esticar o cabo a um comprimento que seja igual ao tamanho diagonal da piscina com mais dois metros adicionais.
2. Coloque a unidade de limpeza na piscina.
3. Deixe o limpador robótico afundar até o fundo da piscina. Não inicie a operação antes do limpador robótico ter assentado no chão da piscina.
4. Espalhe o cabo flutuante pela piscina. Certifique-se de que apenas o comprimento adequado de cabo seja espalhado pela piscina. Desfaça torções ou enrolamentos no cabo. Desenrole cabo extra para fora da piscina, próximo à unidade de controle e energia.
5. Conecte o cabo flutuante (A) à tomada (B) localizada na unidade de controle e energia.

CUIDADO: Operar o limpador fora da água causa graves danos imediatos e resulta na perda da garantia.

Operação

Ligando o limpador robótico

Conecte a unidade de controle e energia à tomada na parede (1). O LED de operação (4) acende e o limpador robótico inicia seu programa de limpeza.

Se a unidade de controle e energia já estiver conectada à tomada CA, o LED de operação (5) pisca para indicar que o limpador robótico já está no modo de espera.

Pressione o botão de operação (6). O LED de operação acende e o limpador robótico inicia o programa de limpeza.

Nota: Quando o LED Verificar filtro está aceso (3), o limpador robótico deve ser limpo antes da unidade de limpeza ser colocada na piscina. O LED Verificar filtro é opcional em alguns modelos.

Ciclo de limpeza

Durante o ciclo de limpeza, o limpador robótico:

- Move-se pelo chão da piscina recolhendo sujeira e detritos.
- Muda a direção e gira automaticamente de acordo com o programa selecionado
- Sobe nas paredes da piscina a cada alguns minutos, conforme ajustado no seu programa interno.

Nota: O limpador robótico pode, ocasionalmente, parar de se mover por alguns segundos. Isto faz parte da operação normal, não é uma falha.

Parando a operação do limpador robótico

O limpador robótico passa automaticamente para o modo de ESPERA após todo ciclo de limpeza, e o LED de operação (5) começa a piscar.

Para parar a operação de limpeza durante um ciclo de limpeza, pressione o botão de operação (7) uma vez. O LED de operação (7) começa a piscar e o limpador passa para o modo de espera.

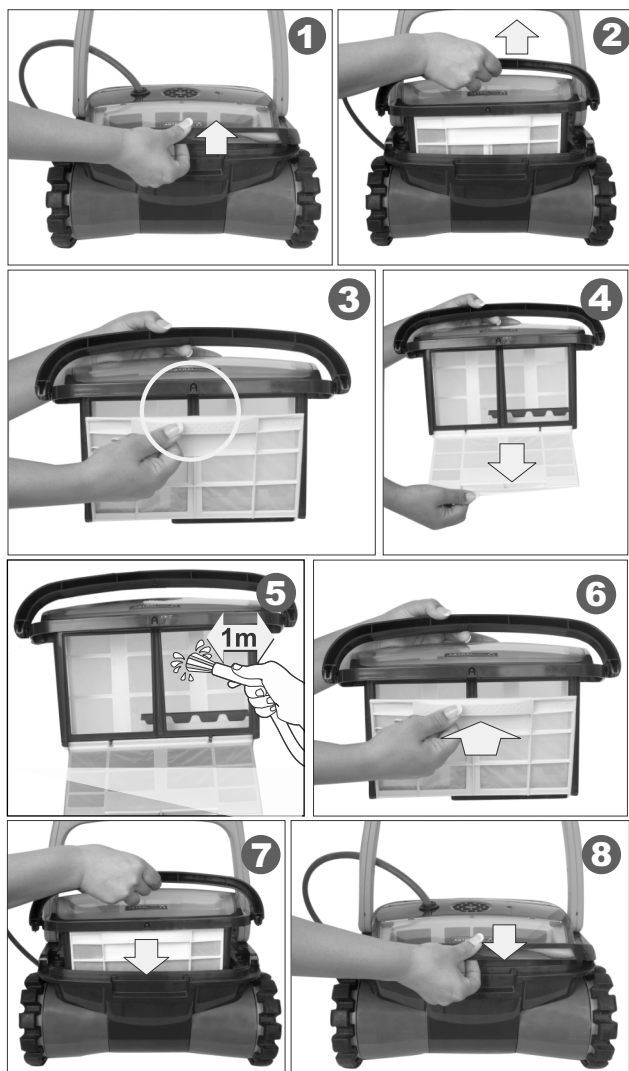
Retirando a unidade de limpeza da água

1. Desconecte o cabo flutuante da unidade de controle e energia.
2. Puxe para cima o cabo flutuante para puxar a unidade de limpeza para próximo até que seja possível segurar a alça.
3. Usando a alça, retire a unidade de limpeza da piscina.

Cuidado: Não use o cabo flutuante para retirar a unidade de limpeza para fora da água.



Manutenção



Limpeza dos filtros

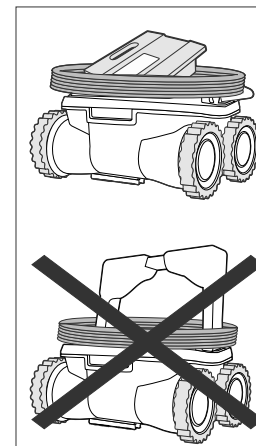
Os dois filtros devem ser limpos após cada ciclo de limpeza.

1. Solte o filtro e puxe para fora da unidade de limpeza.(1), (2)
2. Puxe a porta do filtro contra o compartimento do filtro para abrir a caixa do filtro.(3), (4)
3. Pulverize água nas laterais externas do filtro e depois pulverize água em direção à lateral interna do filtro para limpar toda a sujeira e detritos.(5)
4. Verifique se o obturador plástico pequeno (2) está no lugar e não está quebrado.(6)
6. Insira o filtro novamente na sua posição, até que seja ouvido um som de clique, para prender o filtro no lugar.(7), (8)

Armazenamento do limpador robótico

Siga estas instruções para armazenar o limpador robótico quando não estiver em uso:

1. Desconecte o cabo de energia da tomada.
 2. Desconecte o cabo flutuante da unidade de controle e energia.
 3. Espalhe o cabo flutuante e desfaça qualquer torção no cabo.
 4. Limpe o espaço interior da unidade de limpeza com água limpa e espere secar.
 5. Enrole o cabo flutuante e coloque-o na unidade de limpeza.
- Cuidado: Não enrole o cabo flutuante na alça da unidade de limpeza.**
6. Guarde os componentes do limpador robótico em um local fechado e seco.
 7. Verifique se a unidade de controle e energia não está exposta à água.



Verificação do propulsor de saída de água

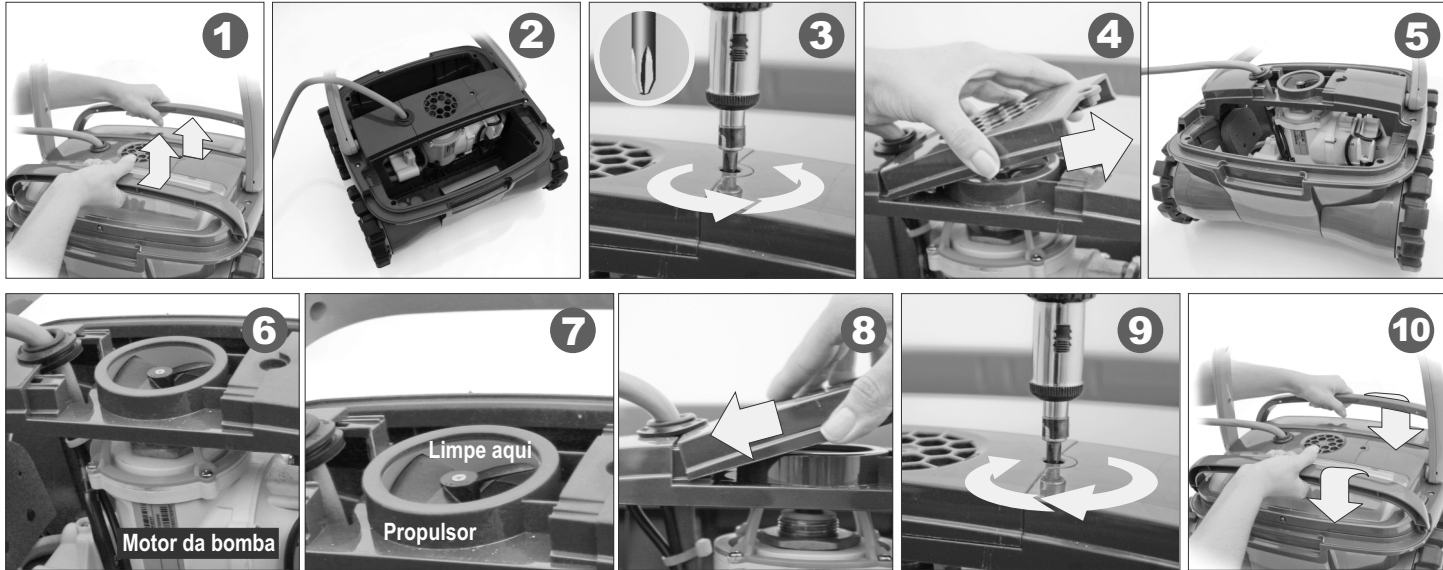
Recomenda-se periodicamente limpar os detritos e cabelos do propulsor da saída de água.

Ver página seguinte para instruções detalhadas

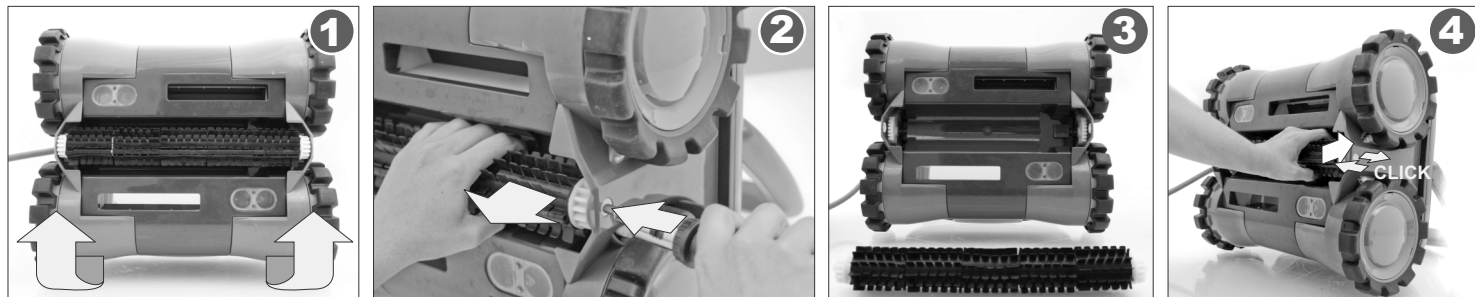
1. Remova os filtros
2. Remova os parafusos que seguram a tampa de saída de água. (3)
3. Remova a tampa da saída de água (4).
4. Limpe todo cabelo, sujeira ou detritos.
5. Comprove que o propulsor não esteja quebrado.
6. Retorne a tampa (8) e parafuse os parafusos (9).
7. Recoloque os filtros



DESCONECTE O ROBÔ DA FONTE DE ALIMENTAÇÃO ANTES DE REALIZAR ESTA AÇÃO



Trocando a escova rolante



Solução de problemas

O LIMPADOR NÃO LIGA.

Não há electricidade na ficha da parede.

1. Desconecte o limpador da unidade de controlo e energia.
2. Desconecte a fonte de alimentação da ficha da parede, espere 30 segundo e conecte novamente.
3. Ligue a fonte. Se não ligar, conecte a unidade a uma ficha da parede diferente.

O cabo flutuante não conecta correctamente à unidade de controlo e energia.

Conecte novamente o cabo flutuante à unidade de controlo e energia.

Obstáculo no sistema de accionamento na unidade de limpeza.

1. Ligue a unidade de limpeza com cuidado para ver a parte inferior.
2. Comprove que a escova de esfregar não esteja torta/quebrada.
3. Limpe e remova obstáculos e detritos, se necessário.

A hélice está presa por causa do acúmulo de cabelo.

Verifique se a hélice está quebrada ou precisa ser limpa (veja "Como verificar a hélice da saída de água").

O LIMPADOR SE MOVE MAS NÃO BOMBEIA ÁGUA.

Os filtros estão sujos.

1. Remova os filtros
2. Execute o limpador robótico na piscina sem os filtros. Se funcionar correctamente, limpe bem os filtros ou os substitua.

A hélice está quebrada por causa do acúmulo de cabelo.

Verifique se a hélice está quebrada ou precisa ser limpa (veja "Como verificar a hélice da saída de água").

O LIMPADOR BOMBEIA ÁGUA MAS NÃO SE MOVE.

Obstáculo no sistema de accionamento na unidade de limpeza.

1. Ligue a unidade de limpeza com cuidado para ver a parte inferior.
2. Comprove que a escova de esfregar não esteja torta/quebrada.
3. Limpe e remova obstáculos e detritos, se necessário.

O LIMPADOR INICIA MAS DESLIGA APÓS UM PERÍODO BREVE.

Os filtros estão sujos.

1. Remova os filtros.
2. Execute o limpador robótico sem os filtros. Se ele funcionar correctamente, limpe bem os filtros ou os substitua.

A hélice está quebrada por causa do acúmulo de cabelo.

1. Remova os parafusos superiores na saída de cima.
2. Verifique se a hélice está quebrada ou precisa ser limpa.

Obstáculo no sistema de accionamento na unidade de limpeza.

1. Ligue a unidade de limpeza com cuidado para ver a parte inferior.
2. Comprove que a escova de esfregar não esteja torta/quebrada.
3. Limpe e remova obstáculos e detritos, se necessário.

O LIMPADOR NÃO RECOLHE A SUJEIRA.

Os filtros estão sujos ou temburacos.

Limpe como necessário e verifique se não há buracos nos filtros.

A hélice está quebrada por causa do acúmulo de cabelo.

Verifique se a hélice está quebrada ou precisa ser limpa (veja "Como verificar a hélice da saída de água").

A entrada de sucção não está próxima o suficiente do chão da piscina.

RETIRE a entrada da sucção (veja "Como ajustar o tamanho da sucção").

A SUJEIRA SAI DO LIMPADOR QUANDO ELE É REMOVIDO DA PISCINA.

A veneziana do filtro está quebrada ou faltando.

Abra os filtros e verifique se a veneziana do filtro não está quebrada e funciona correctamente (veja "Como limpar filtros")

Buracos nos filtros

Abra os filtros e verifique se há buracos nas telas dos filtros (veja "Como limpar filtros")

A tampa de baixo não está fechada correctamente.

Verifique se a tampa de baixo está fechada correctamente.

Solução de problemas

A UNIDADE DE LIMPEZA NÃO COBRE TODA A PISCINA.

Os filtros estão sujos.

Limpe os filtros.

Não há comprimento do cabo flutuante suficiente na água para alcançar o final da piscina ou o cabo está enrolado.

1. Verifique se há comprimento do cabo flutuante suficiente na água para alcançar o final da piscina ou o cabo está enrolado.
2. Verifique se o cabo flutuante está espalhado correctamente e não está enrolado.

O ângulo da alça flutuante afeta o movimento do limpador.

Aumente o ângulo diagonal da alça flutuante (veja “Como ajustar a alça flutuante”).

O pH da piscina está incorrecto.

Verifique se o nível de pH está entre 7,2 e 7,6.

O nível de cloro está incorrecto.

Confira o tratamento de cloro da água e o corrija, se necessário (remova o limpador da piscina durante o tratamento.)

A hélice está quebrada por causa do acúmulo de cabelo.

1. Remova os parafusos superiores na saída de cima.
2. Verifique se a hélice está quebrada ou precisa ser limpa.

Obstáculo no sistema de accionamento na unidade de limpeza.

1. Ligue a unidade de limpeza com cuidado para ver a parte inferior.
2. Rode as faixas e as escovas com a mão. Elas devem girar, mas não livremente.
3. Limpe e remova obstáculos e detritos, se necessário.

O LIMPADOR NÃO SOBE AS PAREDES.

O limpador não está subindo as paredes da piscina.

1. Verifique se o limpador robótico não é um modelo apenas para o chão.
2. Verifique se P1, somente para limpar o chão, não está seleccionado na unidade de controlo e energia (veja “Programações do limpador robótico”).

Os filtros estão sujos.

Limpe os filtros.

A hélice está quebrada por causa do acúmulo de cabelo.

Verifique se a hélice está quebrada ou precisa ser limpa (veja “Como verificar a hélice da saída de água”).

O nível de pH está incorrecto.

Verifique se o pH está entre 7,2 e 7,6.

O nível de cloro está incorrecto.

Confira o tratamento de cloro da água (remova o limpador da piscina durante o tratamento).

A temperatura da água não é opcional.

A temperatura recomendada é entre 22°C–32°C (72°F–90°F).

O CABO ESTÁ ENROLADO.

Os filtros estão sujos.

Limpe os filtros.

Escova está quebrada ou ausente.

Comprove que a escova de esfregar esteja completa e não esteja torta/quebrada.

O cabo não foi espalhado antes de colocar a unidade de limpeza na piscina.

Verifique se o cabo flutuante está espalhado correctamente e não está enrolado antes de operar o limpador robótico.

O comprimento do cabo na água está muito longo.

Verifique se o comprimento do cabo na água é igual ao comprimento diagonal da piscina mais dois metros.

A hélice está quebrada por causa do acúmulo de cabelo.

Verifique se a hélice está quebrada ou precisa ser limpa (veja “Como verificar a hélice da saída de água”).